



US00D801779S

(12) **United States Design Patent** (10) **Patent No.:** **US D801,779 S**
De Vries (45) **Date of Patent:** **** Nov. 7, 2017**

(54) **USB PADLOCK**

D683,611 S * 6/2013 Walter D8/334
D695,589 S * 12/2013 Stevens D8/334
D752,950 S * 4/2016 Dolce D7/702

(71) Applicant: **SECUPROMO B.V.**, Haarlem (NL)

FOREIGN PATENT DOCUMENTS

(72) Inventor: **Simon Siebren De Vries**, Haarlem (NL)

NL 003279728-0001 4/2016

(73) Assignee: **SECUFERRO B.V.**, Haarlem (NL)

OTHER PUBLICATIONS

(**) Term: **15 Years**

www.usb-choice.com/usb-memory-stick-padlock-pf.html; Promotional Choice Ltd, Chambers Business Centre, Chapel Road, Hollinwood, Oldham, Lancashire, OL8 4QQ UK.
www.usbdrive86.com/customized-usb/metal-custompadlock-usb-drive-gifts.html; Website 2014, China.
www.dialog05.com/objects/03.html.

(21) Appl. No.: **29/577,743**

(22) Filed: **Sep. 15, 2016**

(30) **Foreign Application Priority Data**

Apr. 7, 2016 (EM) RCD003279728-0001

* cited by examiner

(51) **LOC (10) Cl.** **08-07**

Primary Examiner — Prabhakar Deshmukh

(52) **U.S. Cl.**
USPC **D8/334; D7/702**

(74) *Attorney, Agent, or Firm* — Porzio Bromberg & Newman

(58) **Field of Classification Search**
USPC D8/300-302, 350, 330, 331, 343, 346, D8/334; 70/14, 158, 160, 452, 448, 466; 292/348, 350, 357; D11/117, 130, 34; D9/702, 720; 190/100, 101, 900
CPC E05B 1/0007; E05B 9/00; E05B 17/00; A45C 5/00; A45C 13/00; A45C 13/002

(57) **CLAIM**

I claim, the ornamental design for USB padlock, as shown and described.

See application file for complete search history.

DESCRIPTION

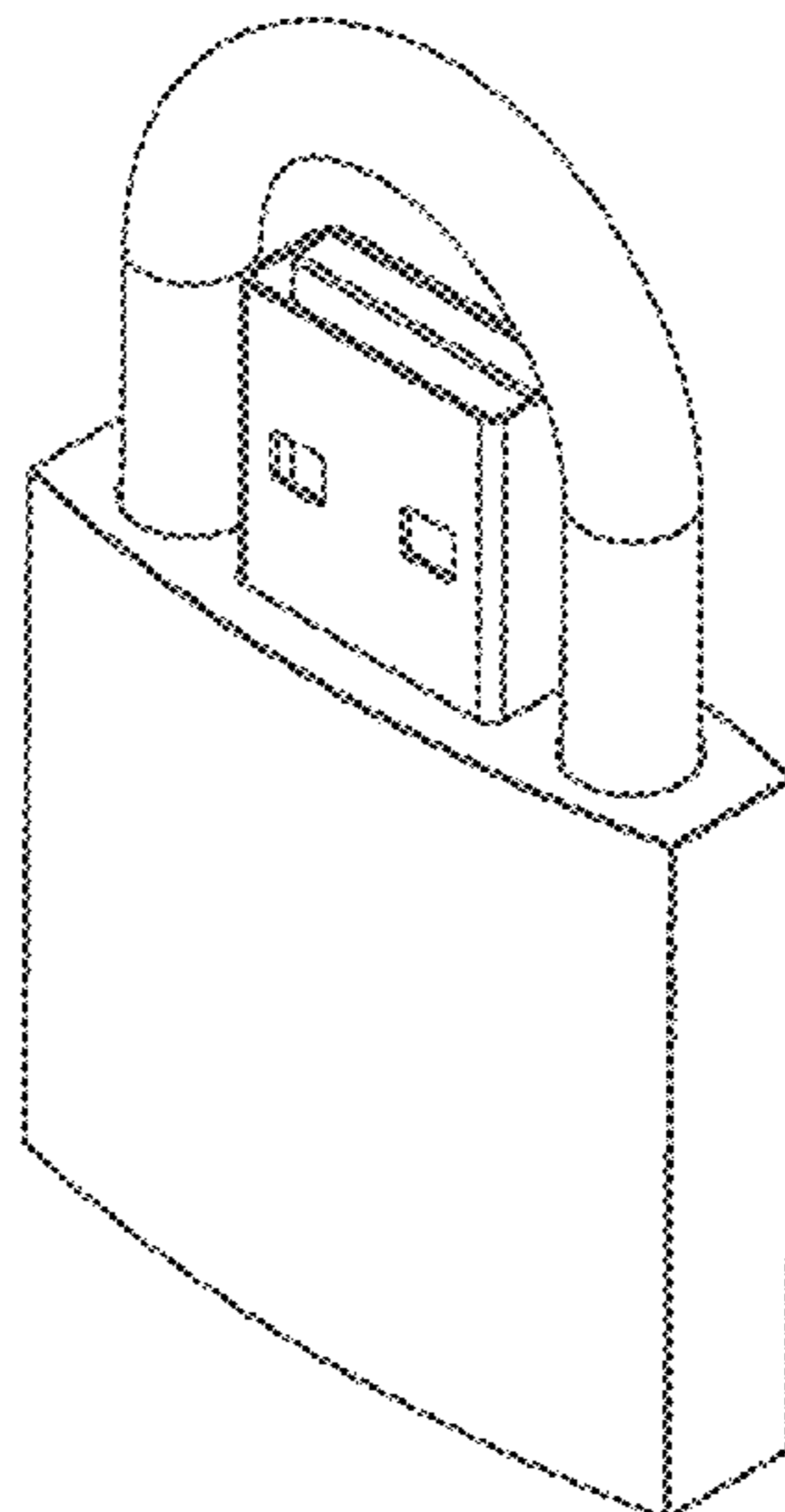
(56) **References Cited**

U.S. PATENT DOCUMENTS

3,882,699 A * 5/1975 Flack E05B 67/38 70/368
D240,590 S * 7/1976 Meisner D8/334
D349,032 S * 7/1994 Gilbert D8/334
D461,699 S * 8/2002 Lavikainen D8/334
6,539,761 B2 * 4/2003 Yang E05B 37/0034 70/21
D484,776 S * 1/2004 Ruan D8/334
6,880,370 B2 * 4/2005 Yu E05B 37/025 70/25

FIG. 1 is a perspective view, showing my new design, FIG. 2 is a front view thereof, FIG. 3 is a rear view thereof, FIG. 4 is a right side view thereof, FIG. 5 is a left side view thereof, FIG. 6 is a top view thereof, FIG. 7 is a bottom view thereof, FIG. 8 is a front view of a body removed from a shackle shown in FIG. 1, all features of the body are the same as shown in FIGS. 1-4; and, FIG. 9 is a front view of the shackle shown removed from the body shown in FIG. 1, all features of the shackle are the same as shown in FIGS. 1-4.

1 Claim, 9 Drawing Sheets



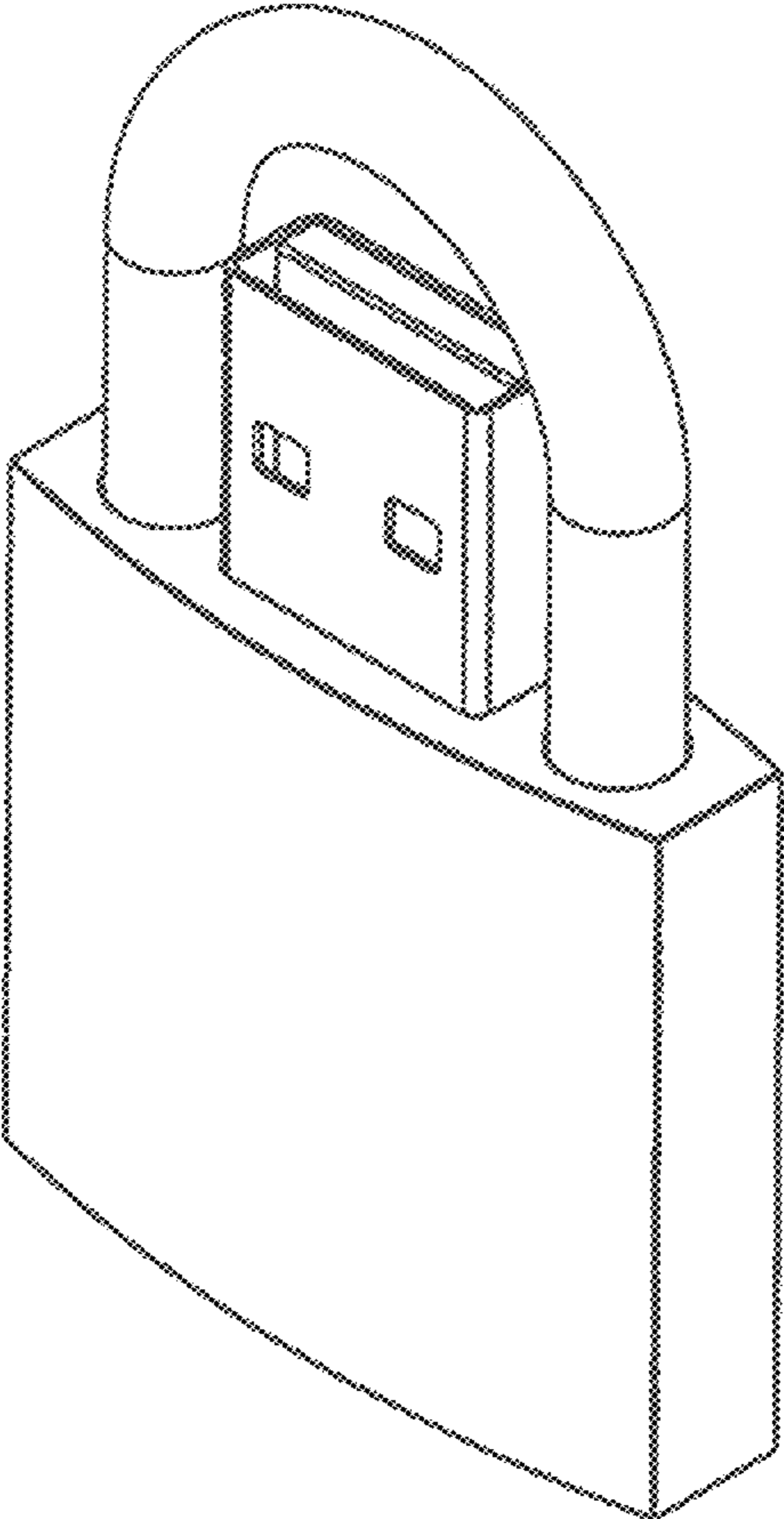


Fig. 1

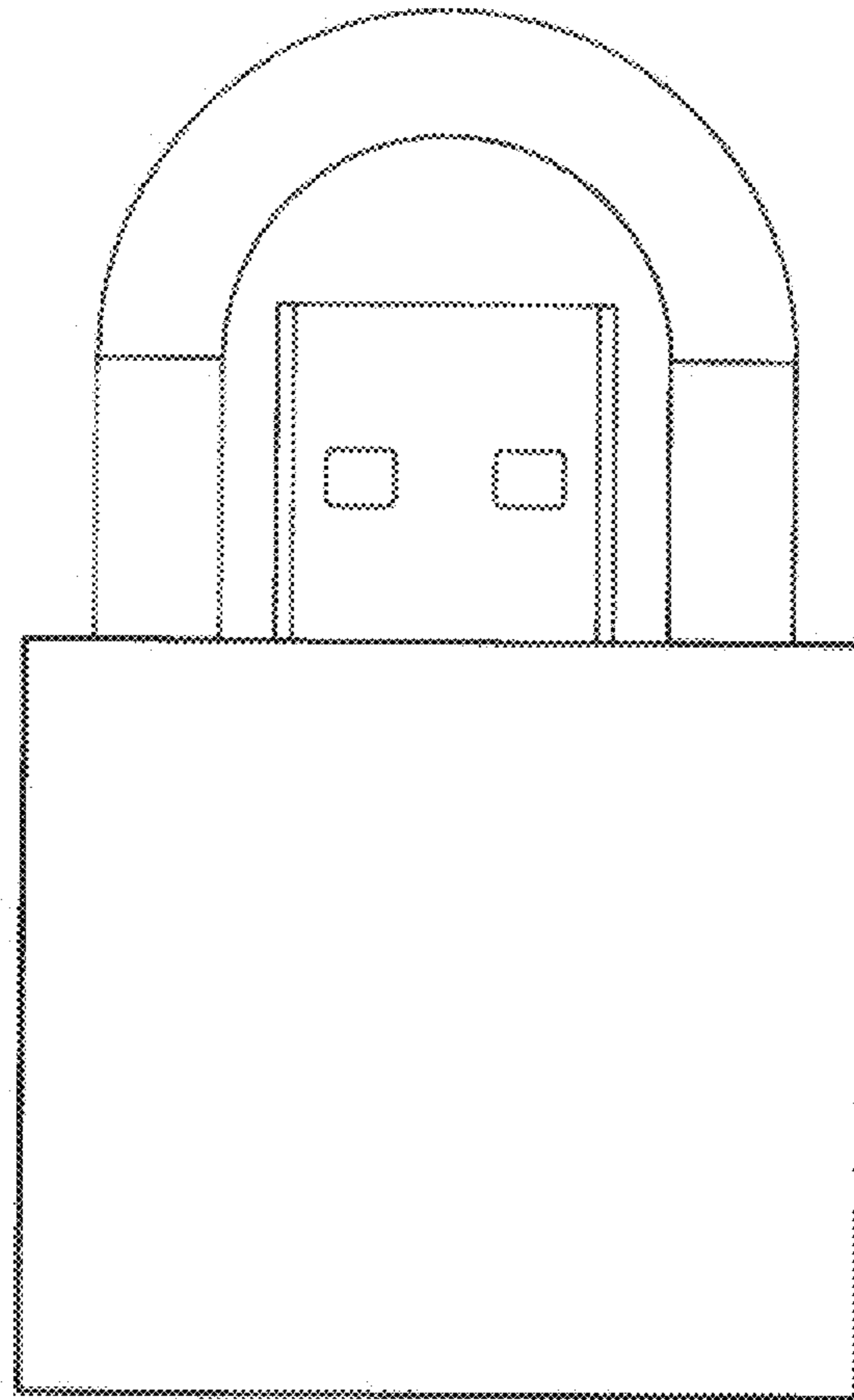


Fig. 2

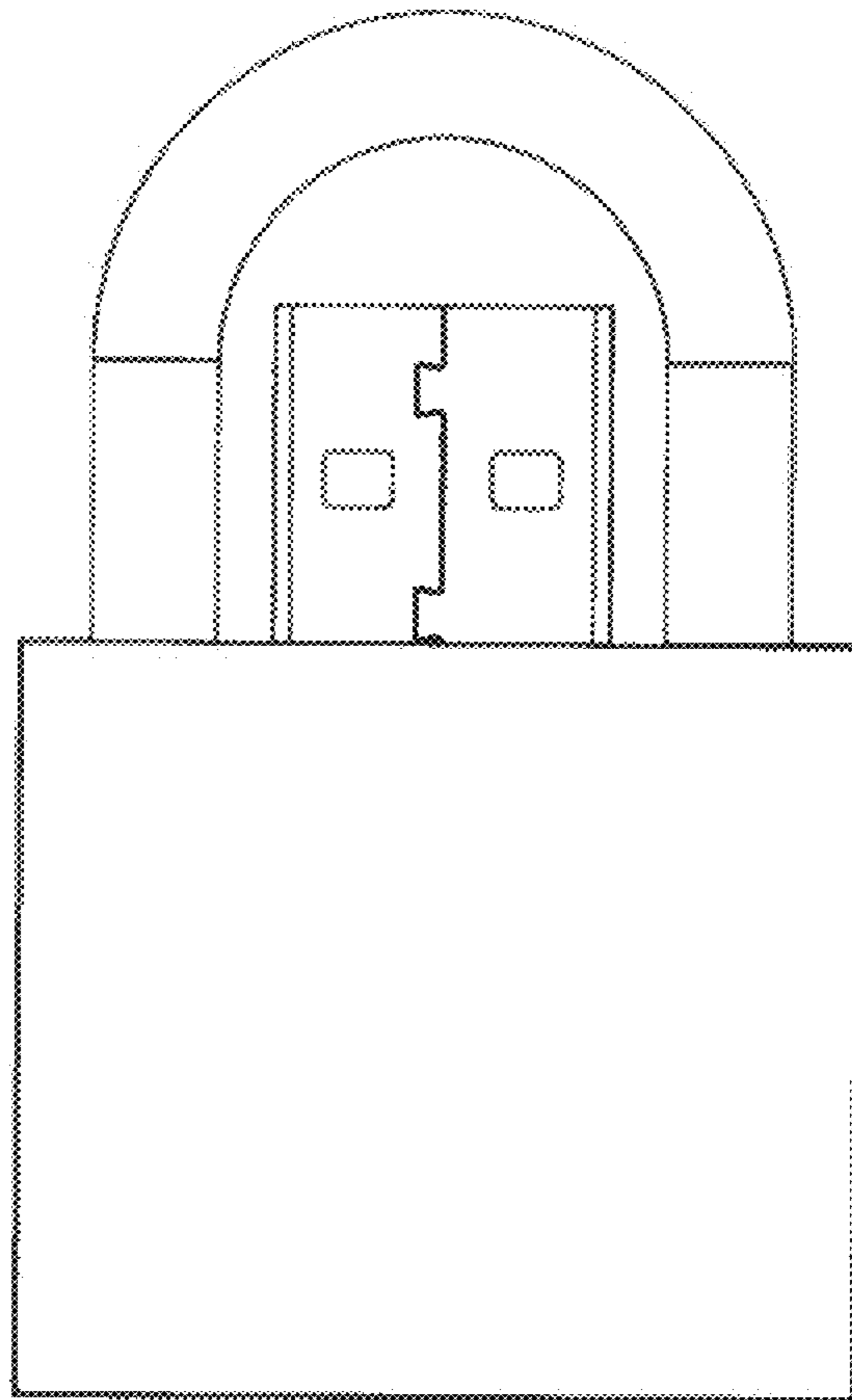


Fig. 3

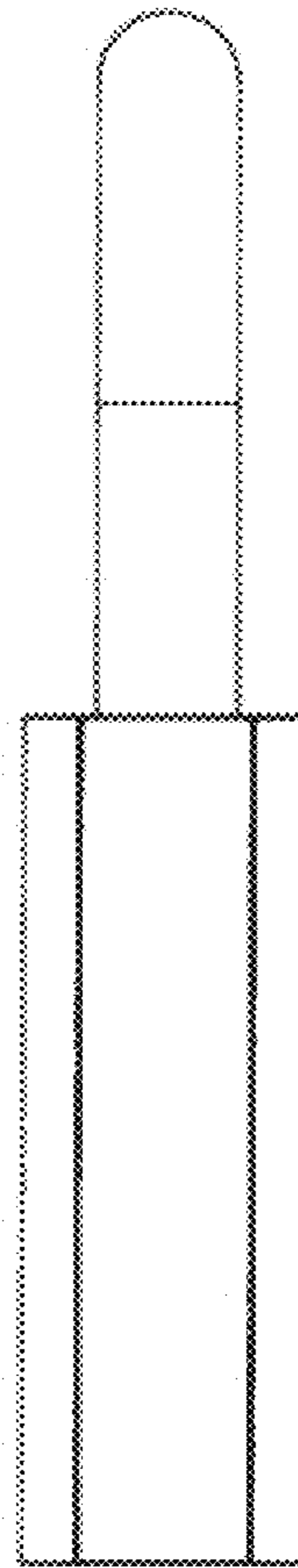


Fig. 4

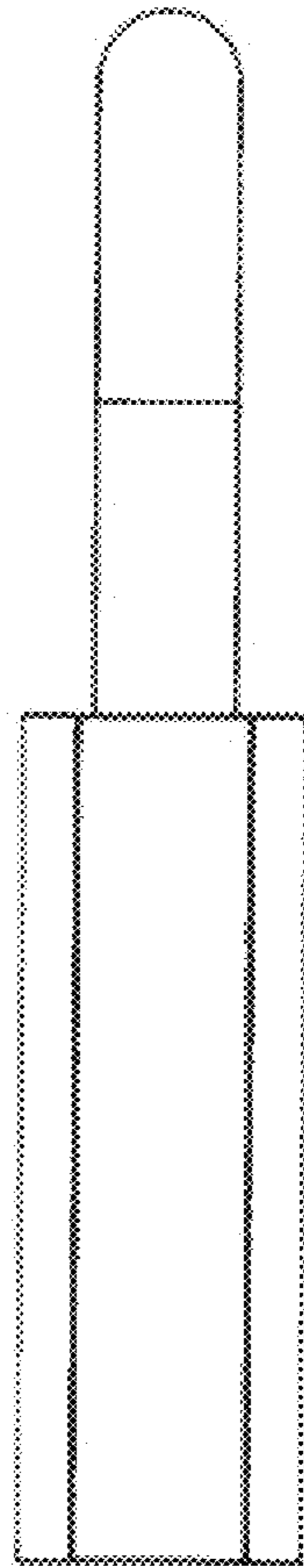


Fig. 5

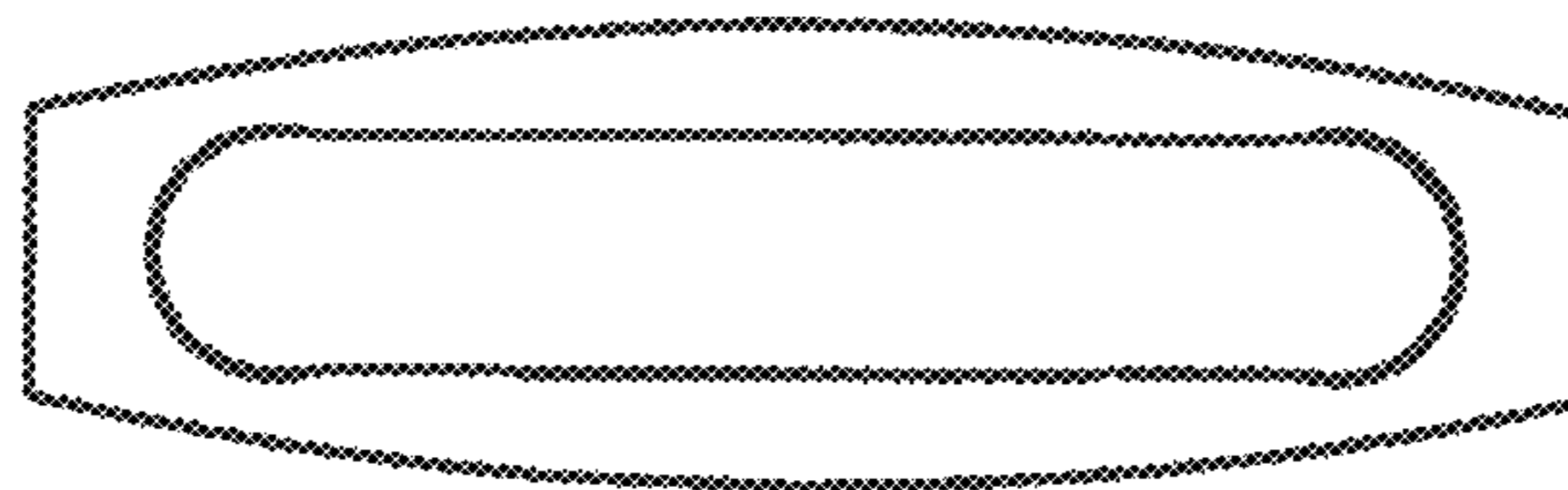


Fig. 6

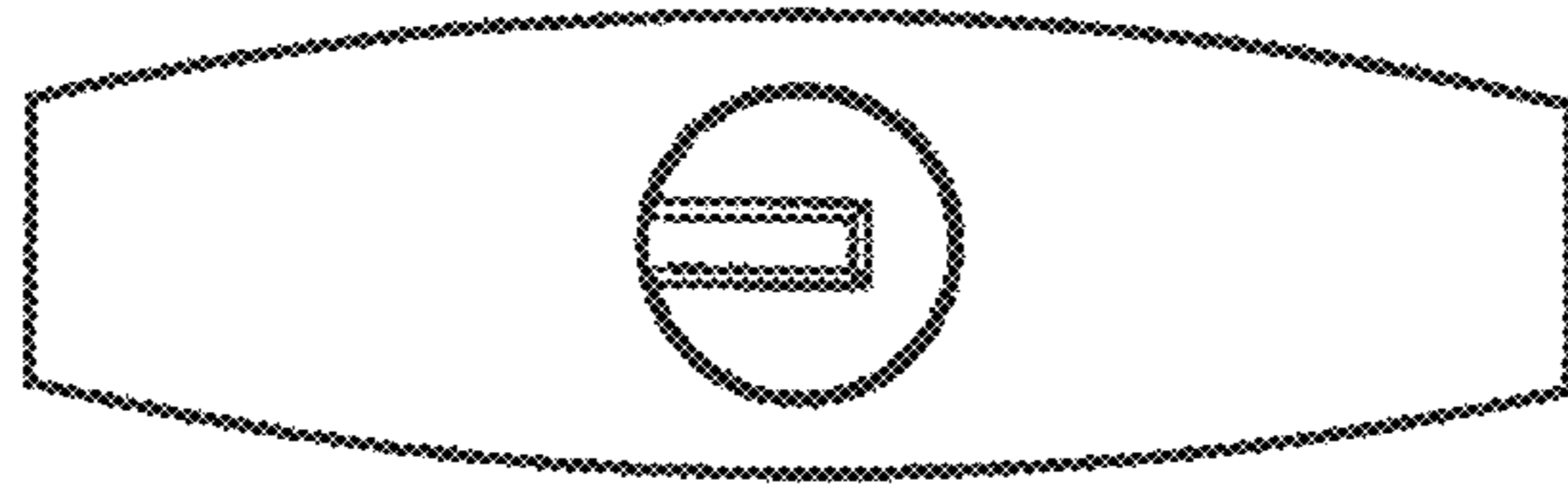


Fig. 7

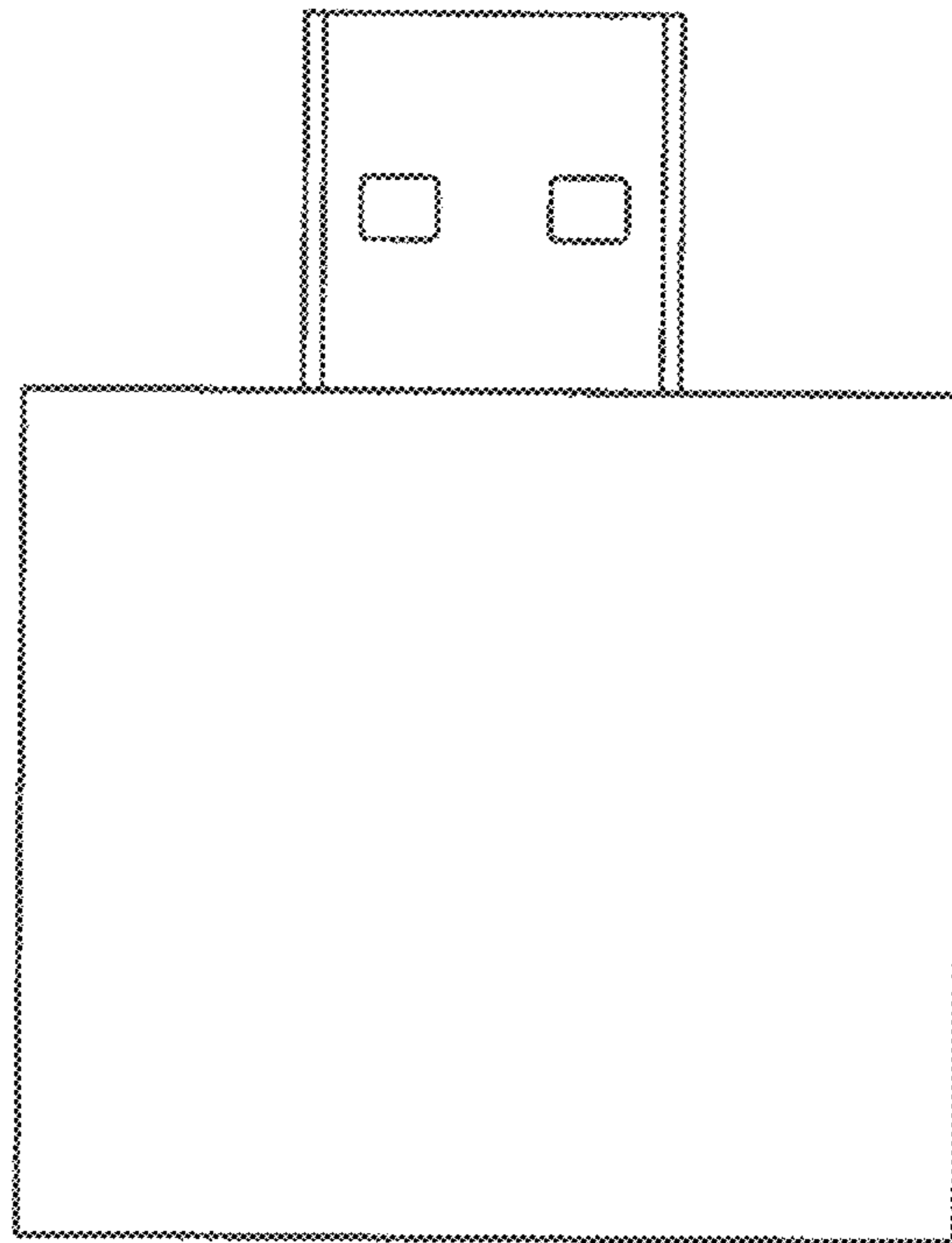


Fig. 8

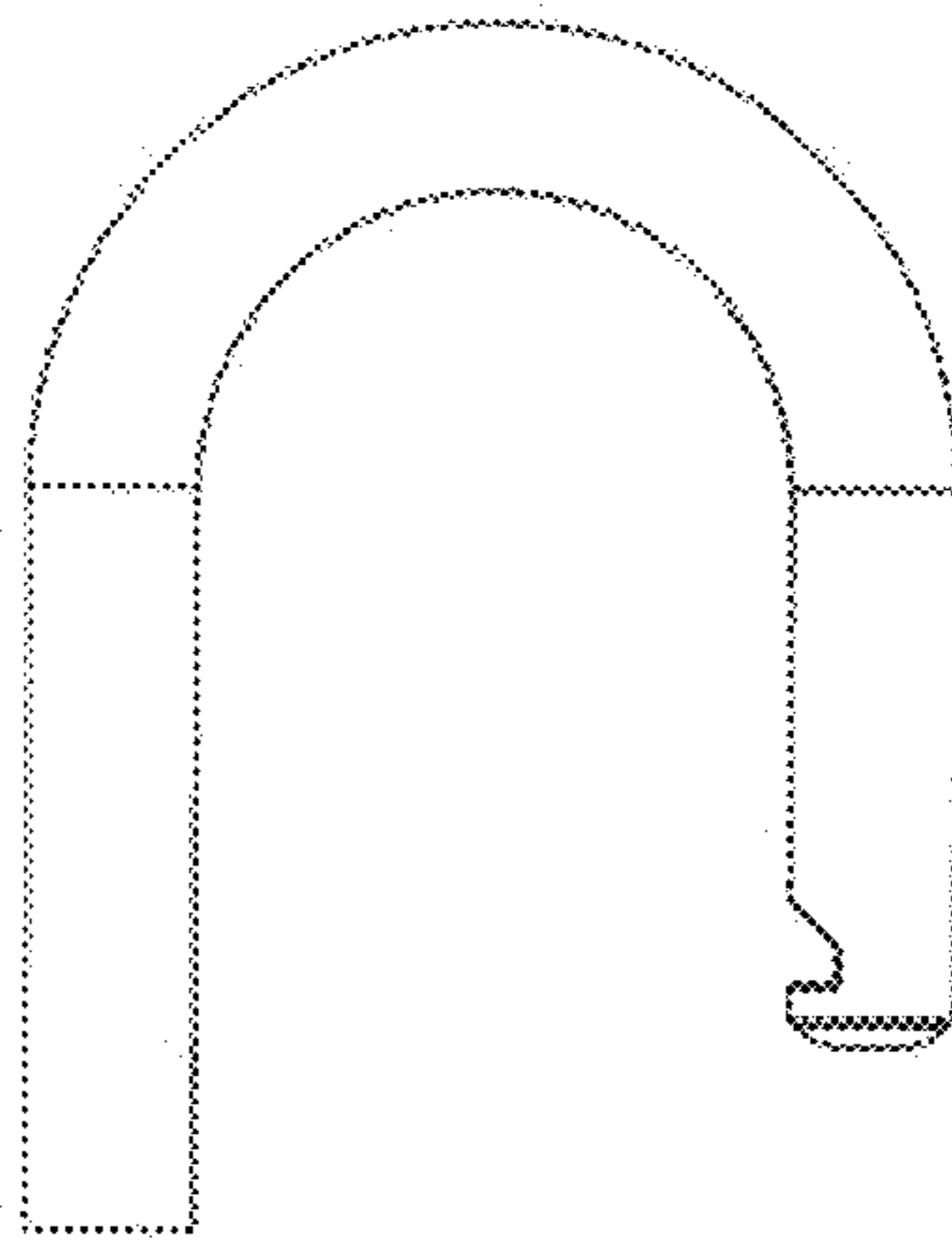


Fig. 9