



US00D801777S

(12) **United States Design Patent**
Farrenkothen

(10) **Patent No.:** **US D801,777 S**

(45) **Date of Patent:** **** Nov. 7, 2017**

(54) **VEHICLE DOOR HANDLE**

(71) Applicant: **D. La Porte Söhne GmbH**, Wuppertal (DE)

(72) Inventor: **Ralf Farrenkothen**, Solingen (DE)

(73) Assignee: **D. La Porte Söhne GmbH**, Wuppertal (DE)

(**) Term: **15 Years**

(21) Appl. No.: **29/558,395**

(22) Filed: **Mar. 17, 2016**

(30) **Foreign Application Priority Data**

Sep. 18, 2015 (EM) 002775270-0001
Sep. 18, 2015 (EM) 002775270-0002

(51) **LOC (10) Cl.** **08-06**

(52) **U.S. Cl.**
USPC **D8/302**

(58) **Field of Classification Search**
USPC D6/204; D8/300, 302, 305, 307, 315;
D11/116, 133, 203; D19/96; D26/7, 13,
D26/15, 17, 31, 42
CPC E05B 1/00; E05B 1/0015; A47B 95/02
See application file for complete search history.

(56) **References Cited**

U.S. PATENT DOCUMENTS

D197,210 S * 12/1963 Hill D8/302
D436,830 S * 1/2001 Nesseth D8/302

D506,377 S * 6/2005 Marzolf D8/300
D512,626 S * 12/2005 Elwell D8/302
D585,719 S * 2/2009 Imai D8/300
D619,871 S * 7/2010 Behnke D8/302
D629,275 S 12/2010 Schmidt
D666,888 S * 9/2012 Williamson D8/302
D668,927 S * 10/2012 Matei D8/302
D708,924 S * 7/2014 Kraus D8/302
D712,232 S * 9/2014 Hall D8/302
9,441,403 B2 * 9/2016 Kraus E05B 81/76
D772,682 S * 11/2016 Stibs D8/302
2008/0001415 A1 * 1/2008 Cummins E05B 47/004
292/336.3

* cited by examiner

Primary Examiner — Caron D Veynar

Assistant Examiner — Melvin L Davis

(74) *Attorney, Agent, or Firm* — Brinks Gilson & Lione

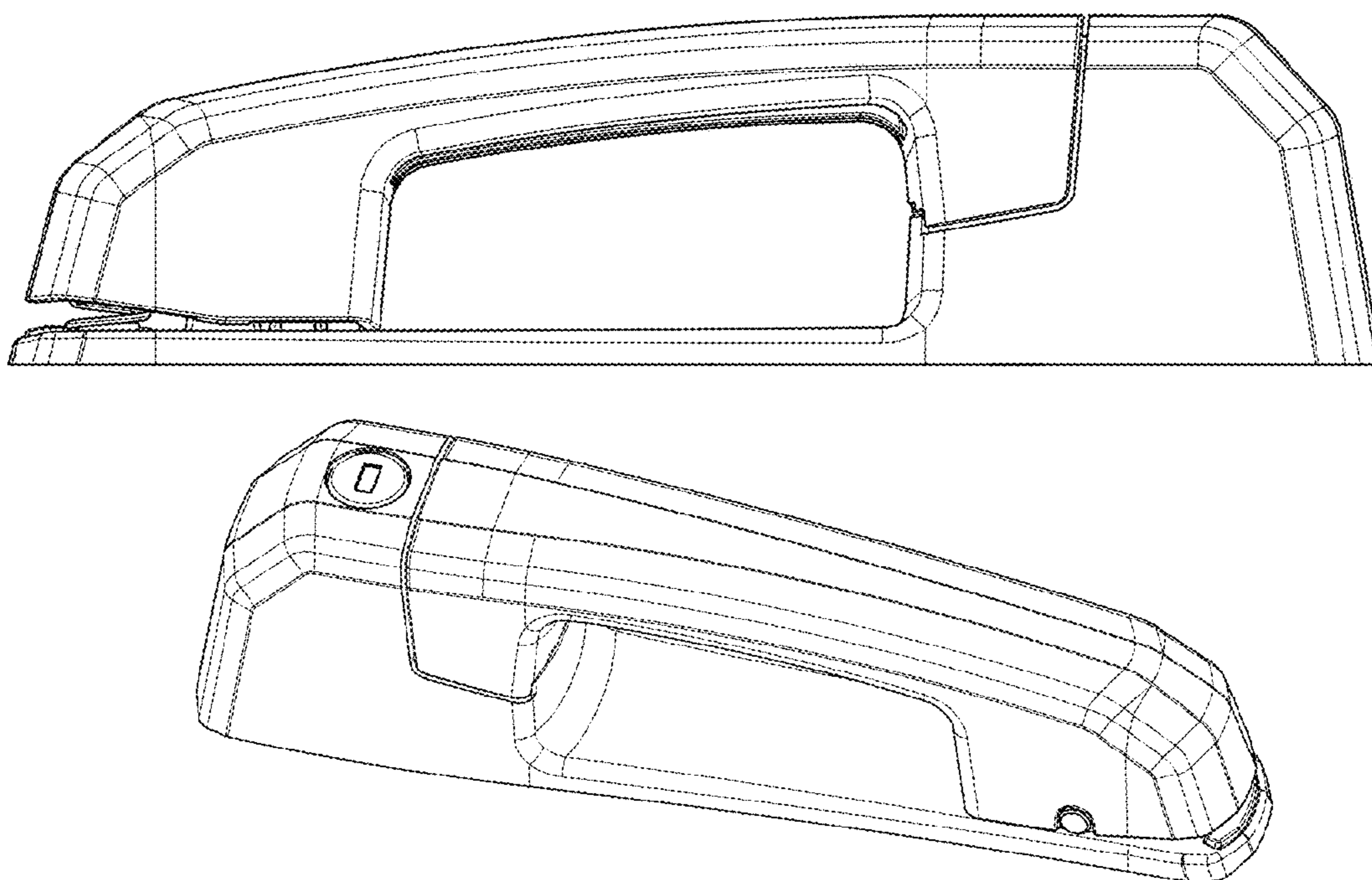
(57) **CLAIM**

The ornamental design for a vehicle door handle, as shown and described.

DESCRIPTION

FIG. 1 is a top view of the vehicle door handle;
FIG. 2 is a bottom view thereof;
FIG. 3 is a front view thereof;
FIG. 4 is a side view thereof;
FIG. 5 is a perspective view thereof; and,
FIG. 6 is a rear view thereof.

1 Claim, 3 Drawing Sheets



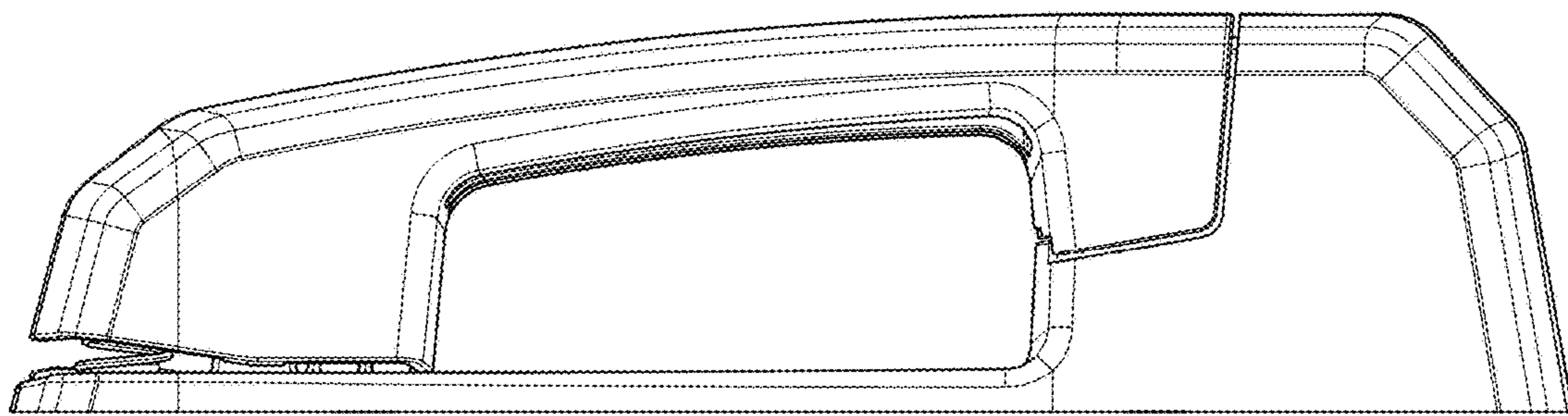


FIG. 1

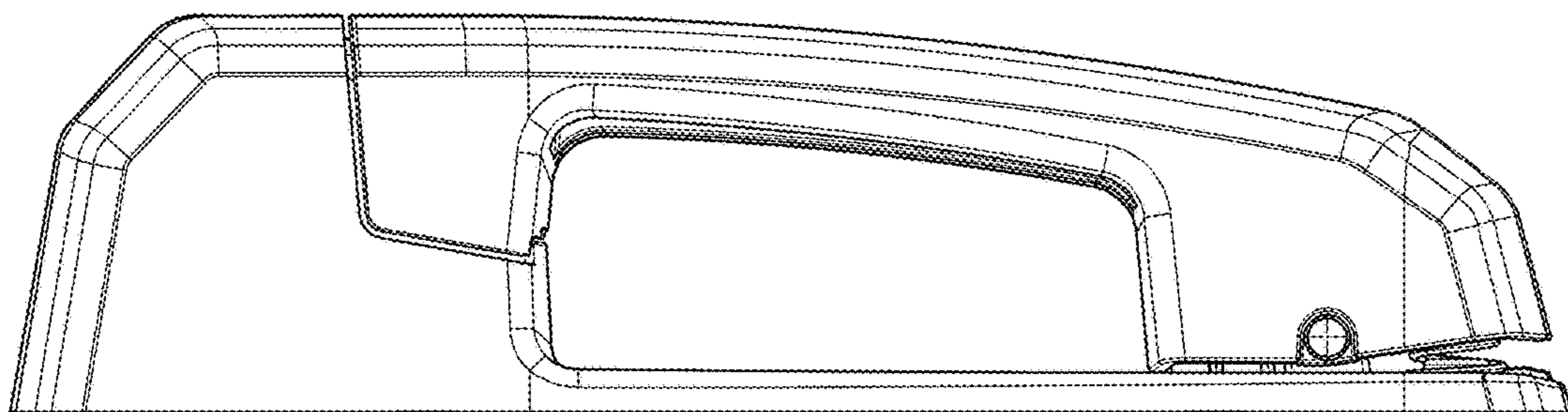


FIG. 2

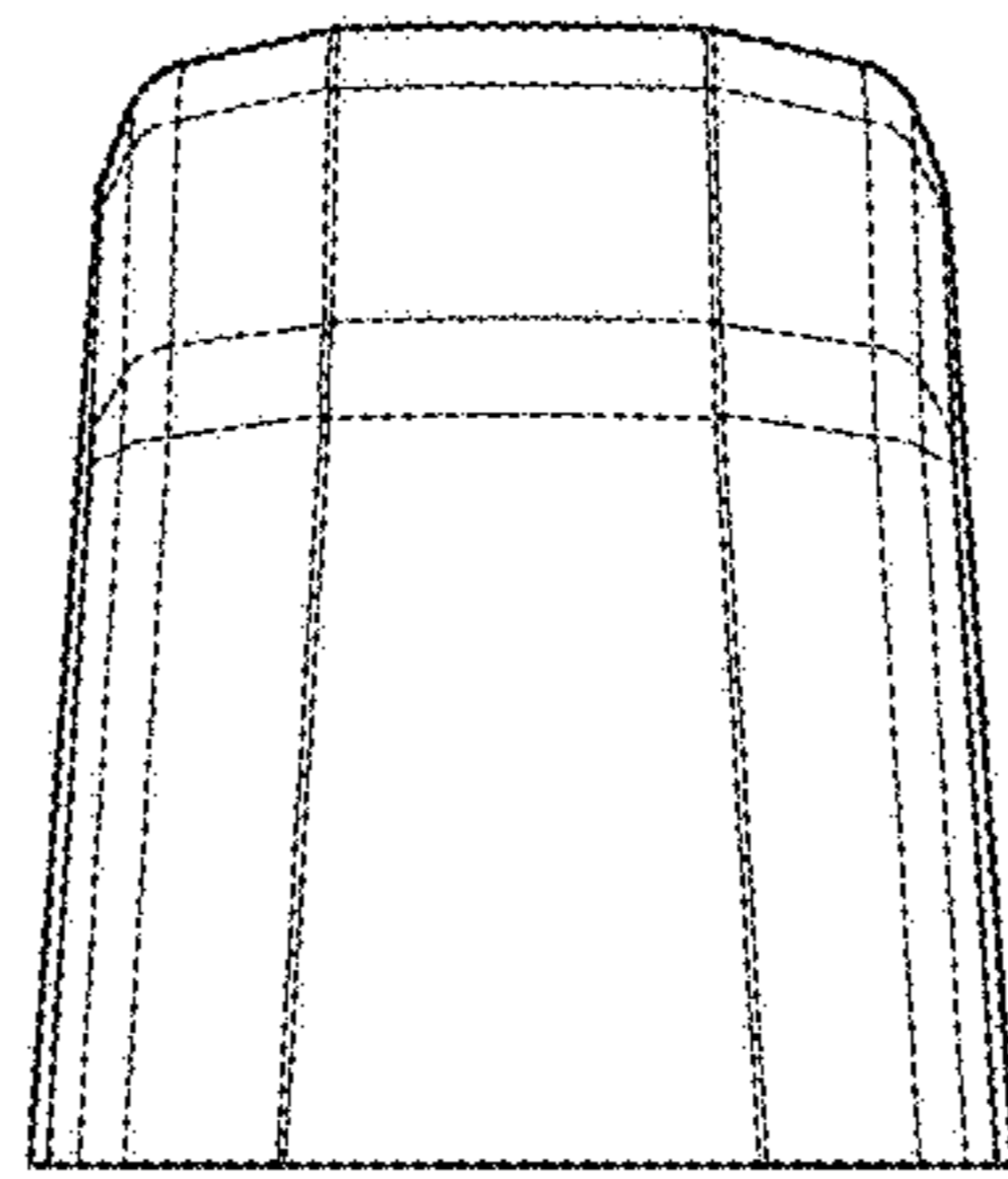


FIG. 3

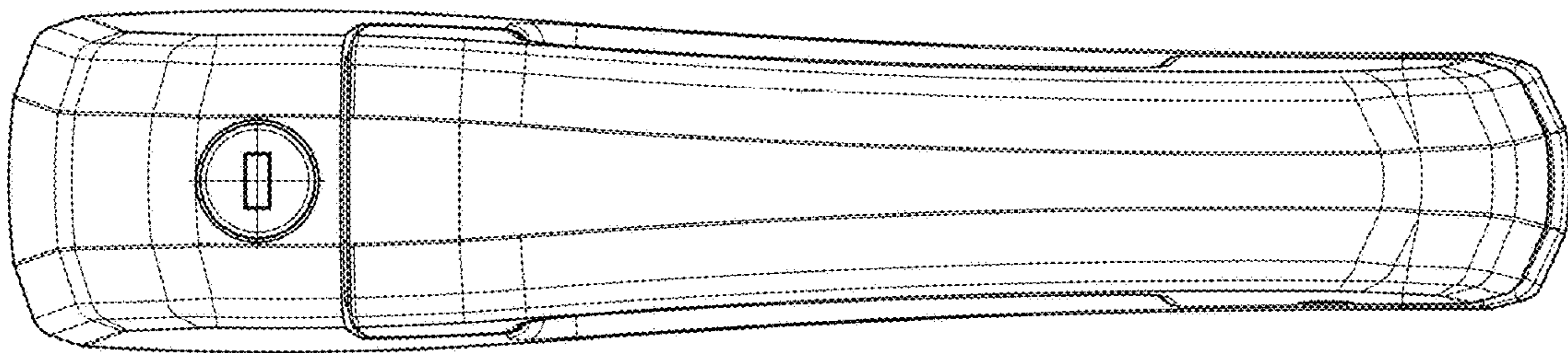


FIG. 4

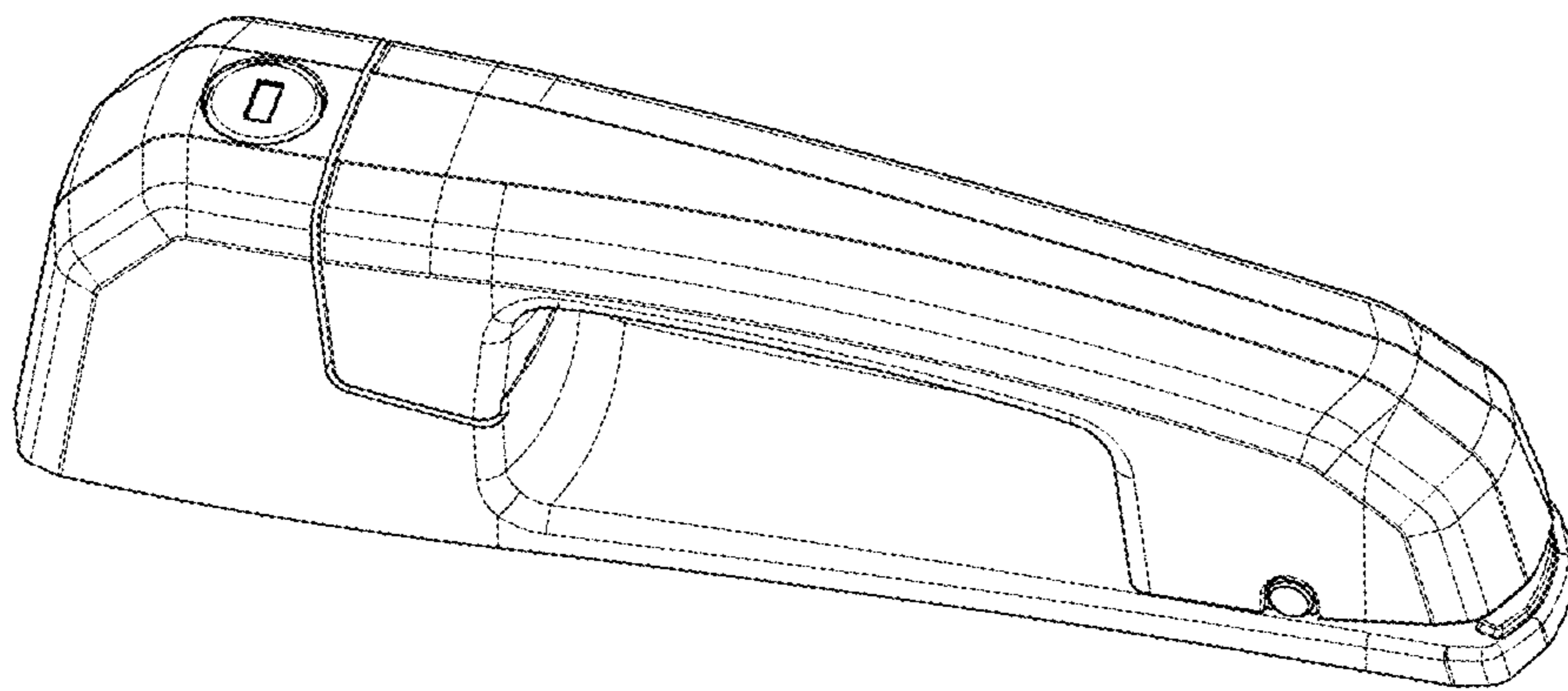


FIG. 5

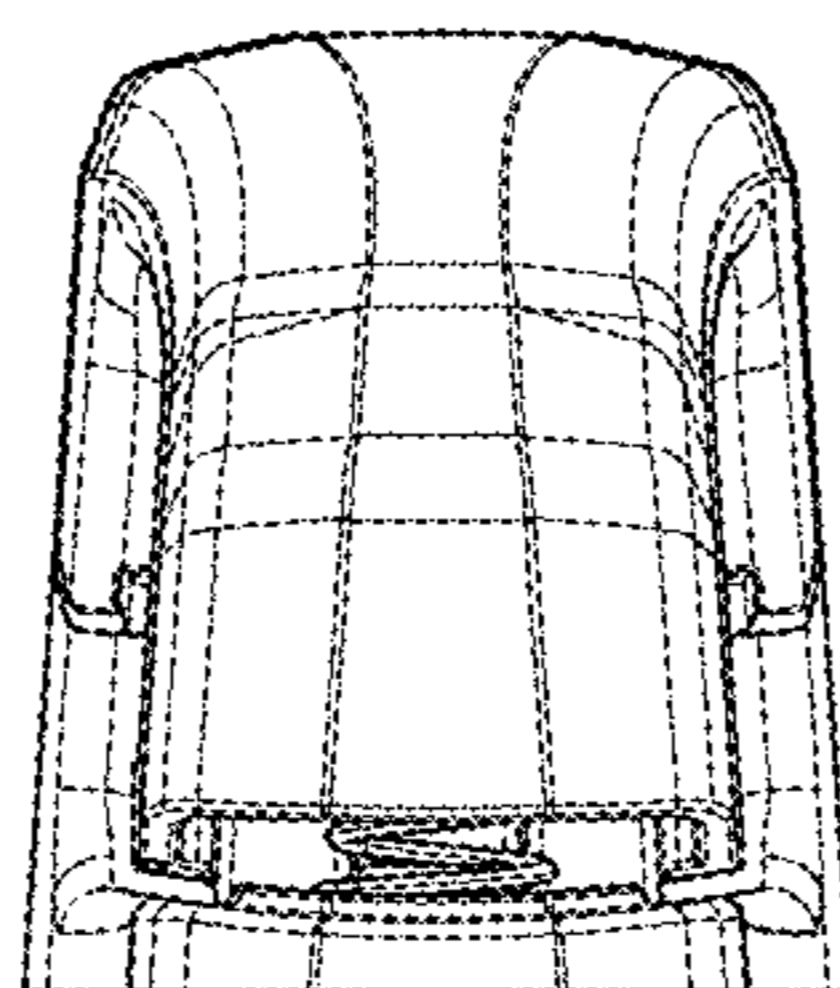


FIG. 6