



US00D801774S

(12) **United States Design Patent**
Nyström

(10) **Patent No.:** **US D801,774 S**

(45) **Date of Patent:** **** Nov. 7, 2017**

- (54) **PNEUMATIC PULSE TOOL**
- (71) Applicant: **ATLAS COPCO INDUSTRIAL
TECHNIQUE AB**, Stockholm (SE)
- (72) Inventor: **Ola Petter Nyström**, Hägersten (SE)
- (73) Assignee: **ATLAS COPCO INDUSTRIAL
TECHNIQUE AB**, Stockholm (SE)
- (**) Term: **15 Years**
- (21) Appl. No.: **29/576,154**
- (22) Filed: **Aug. 31, 2016**

D472,782 S *	4/2003	Pusateri	D8/68
D476,210 S *	6/2003	Chen	D8/68
D496,243 S *	9/2004	Huang	D8/68
D497,529 S *	10/2004	Price	D8/68
D497,787 S *	11/2004	Liao	D8/68
D504,299 S *	4/2005	Leasure	D8/68
D504,604 S *	5/2005	Leasure	D8/68
D507,732 S *	7/2005	Nowak	D8/68
D513,690 S *	1/2006	Etter	D8/68
D537,690 S *	3/2007	Su	D8/68
D540,641 S *	4/2007	Clay	D8/68
D605,490 S *	12/2009	Aglassinger	D8/68
7,673,702 B2 *	3/2010	Johnson	B25B 21/00 173/109
D664,413 S *	7/2012	Steinfels	D8/68
D716,125 S *	10/2014	Yaschur	D8/68

- (30) **Foreign Application Priority Data**
Mar. 1, 2016 (EM) 003008713-0002
- (51) **LOC (10) Cl.** **08-05**
- (52) **U.S. Cl.**
USPC **D8/68**
- (58) **Field of Classification Search**
USPC D8/61, 67, 68
CPC . B21J 15/043; B21J 15/22; B21J 15/36; B21J
15/326
See application file for complete search history.

- (56) **References Cited**
U.S. PATENT DOCUMENTS
D382,184 S * 8/1997 Sung D8/61
D388,678 S * 1/1998 Bantly D8/68
D396,620 S * 8/1998 Sung D8/68
D403,564 S * 1/1999 Izumisawa D8/68
D410,181 S * 5/1999 Sung D8/68
D410,830 S * 6/1999 Pusateri D8/61
D434,297 S * 11/2000 Iritani D8/68
D434,958 S * 12/2000 Izumisawa D8/68
D441,628 S * 5/2001 Bass D8/68
D461,110 S * 8/2002 Izumisawa D8/68
D469,673 S * 2/2003 Sliker D8/68

OTHER PUBLICATIONS

Related Design U.S. Appl. No. 29/576,146, filed Aug. 31, 2016,
Title: "Pneumatic Pulse Tool", First Named Inventor: Ola Petter
Nyström.

* cited by examiner

Primary Examiner — Darlington Ly
(74) *Attorney, Agent, or Firm* — Holtz, Holtz & Volek PC

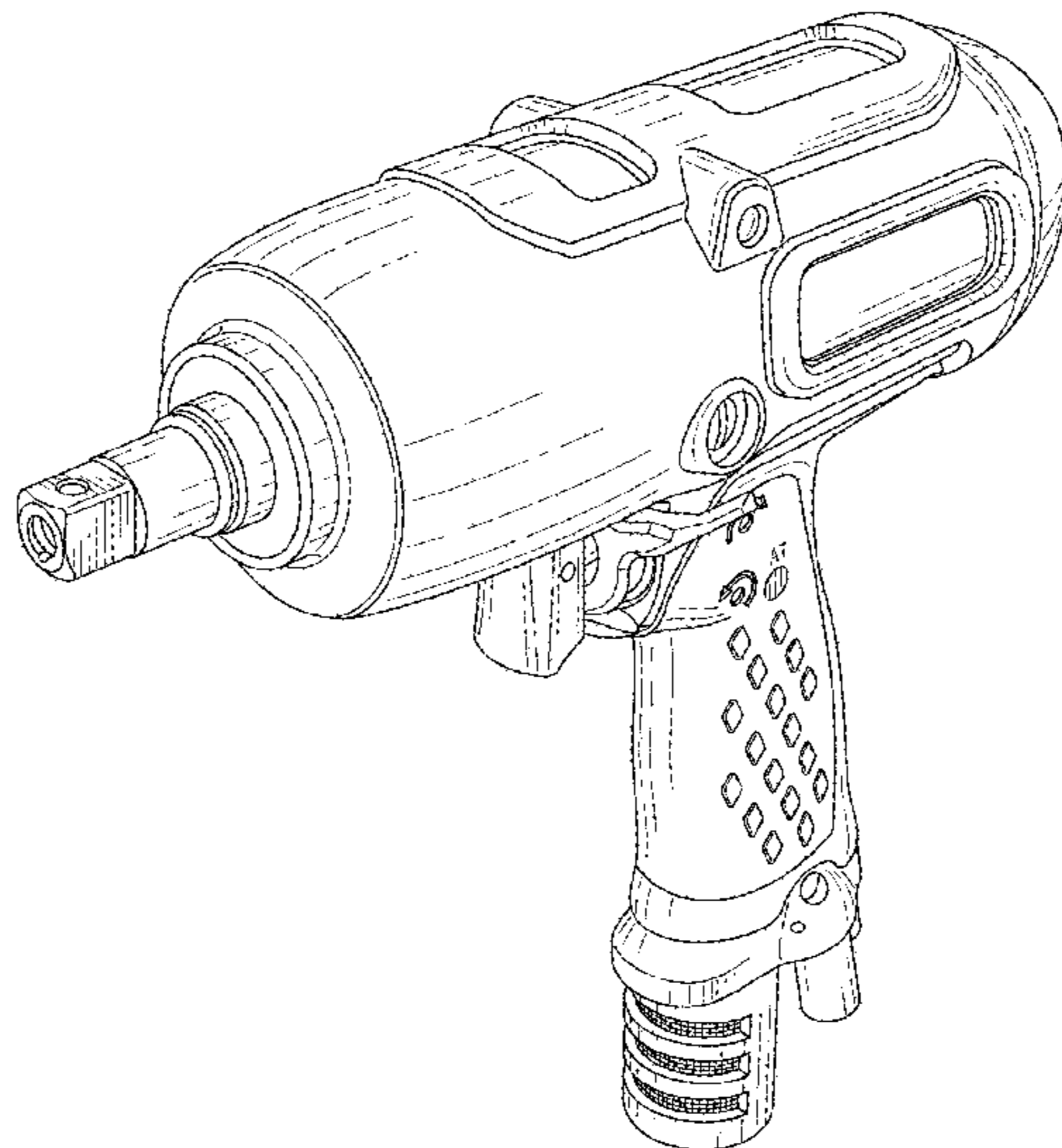
(57) **CLAIM**

The ornamental design for a pneumatic pulse tool, as shown.

DESCRIPTION

FIG. 1 is a front, top, left side perspective view of a
pneumatic pulse tool showing my new design;
FIG. 2 is a left side elevational view thereof;
FIG. 3 is a right side elevational view thereof;
FIG. 4 is a top plan view thereof;
FIG. 5 is a bottom plan view thereof;
FIG. 6 is a rear elevational view thereof; and,
FIG. 7 is a front elevational view thereof.

1 Claim, 5 Drawing Sheets



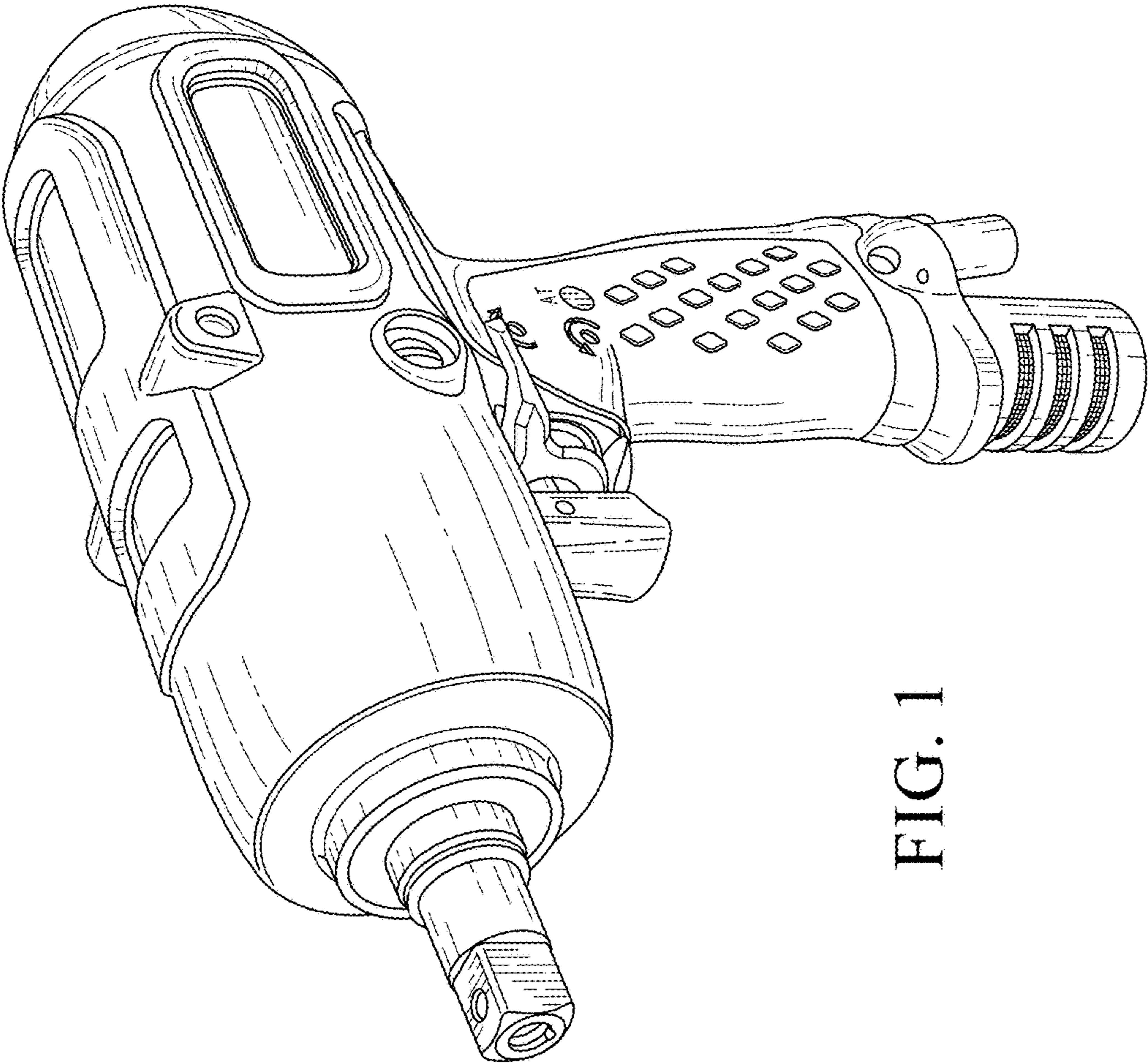


FIG. 1

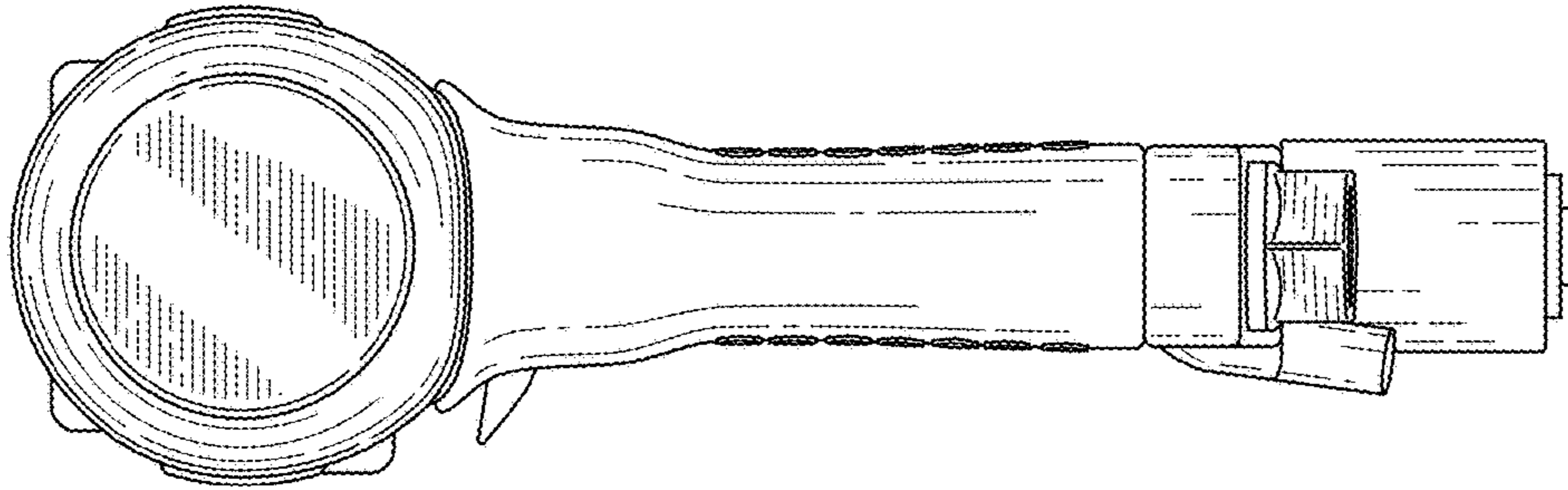


FIG. 3

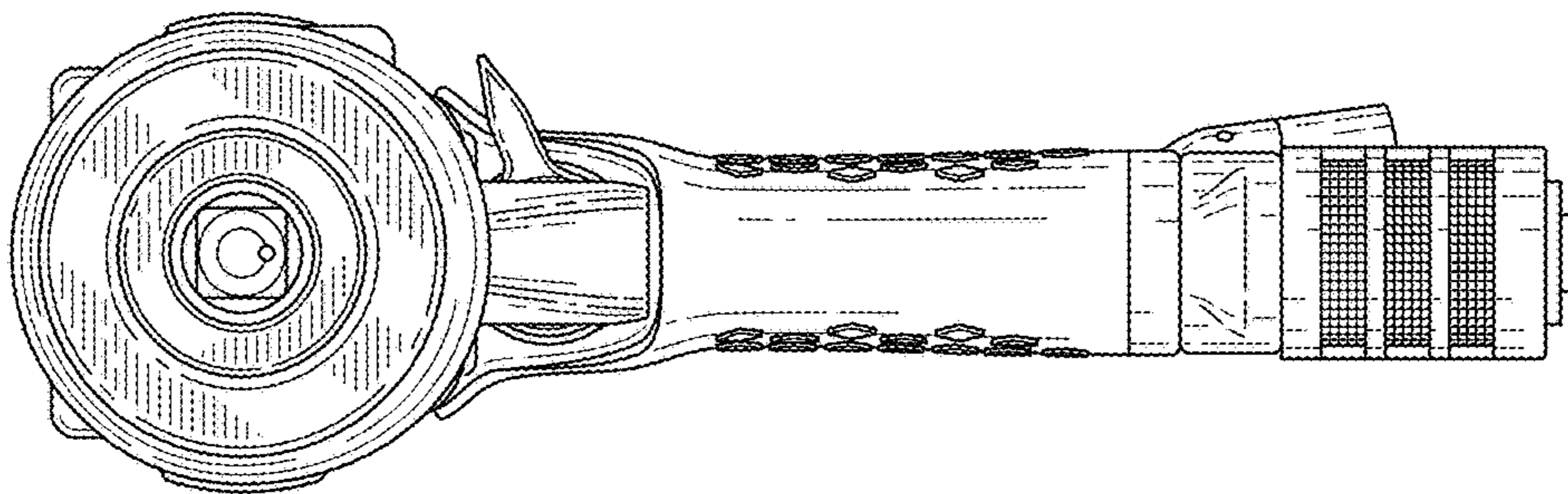


FIG. 2

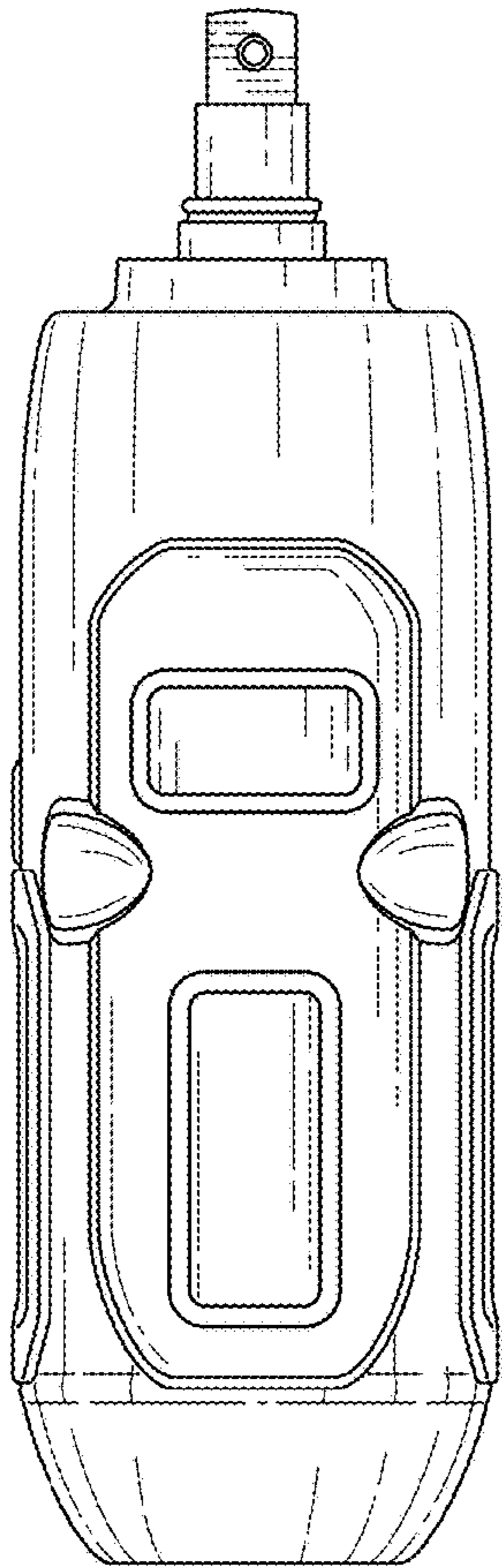


FIG. 4

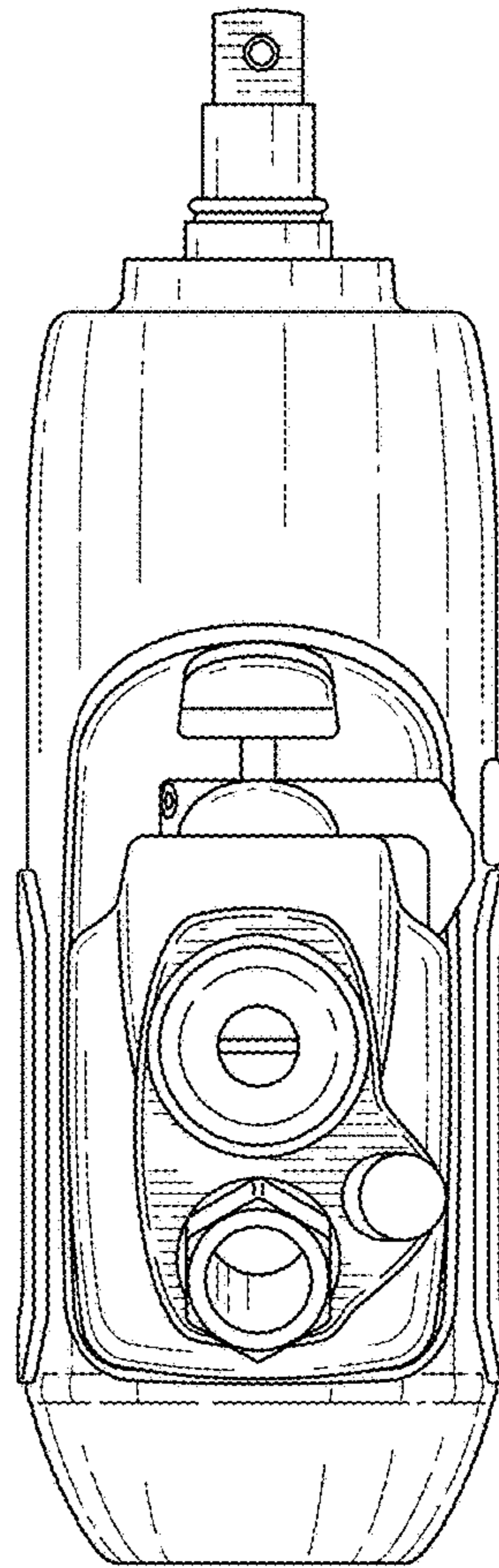


FIG. 5

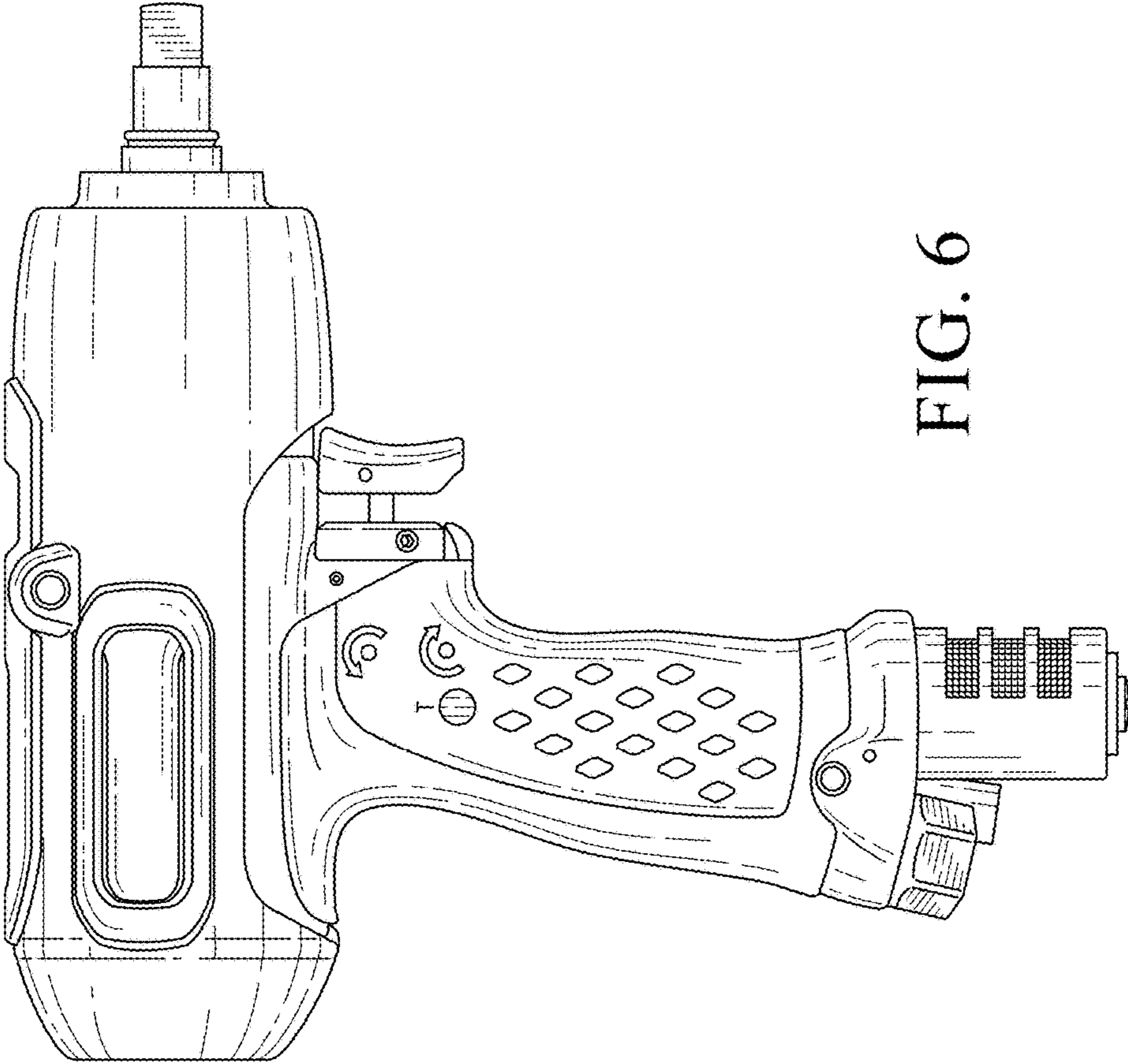


FIG. 6

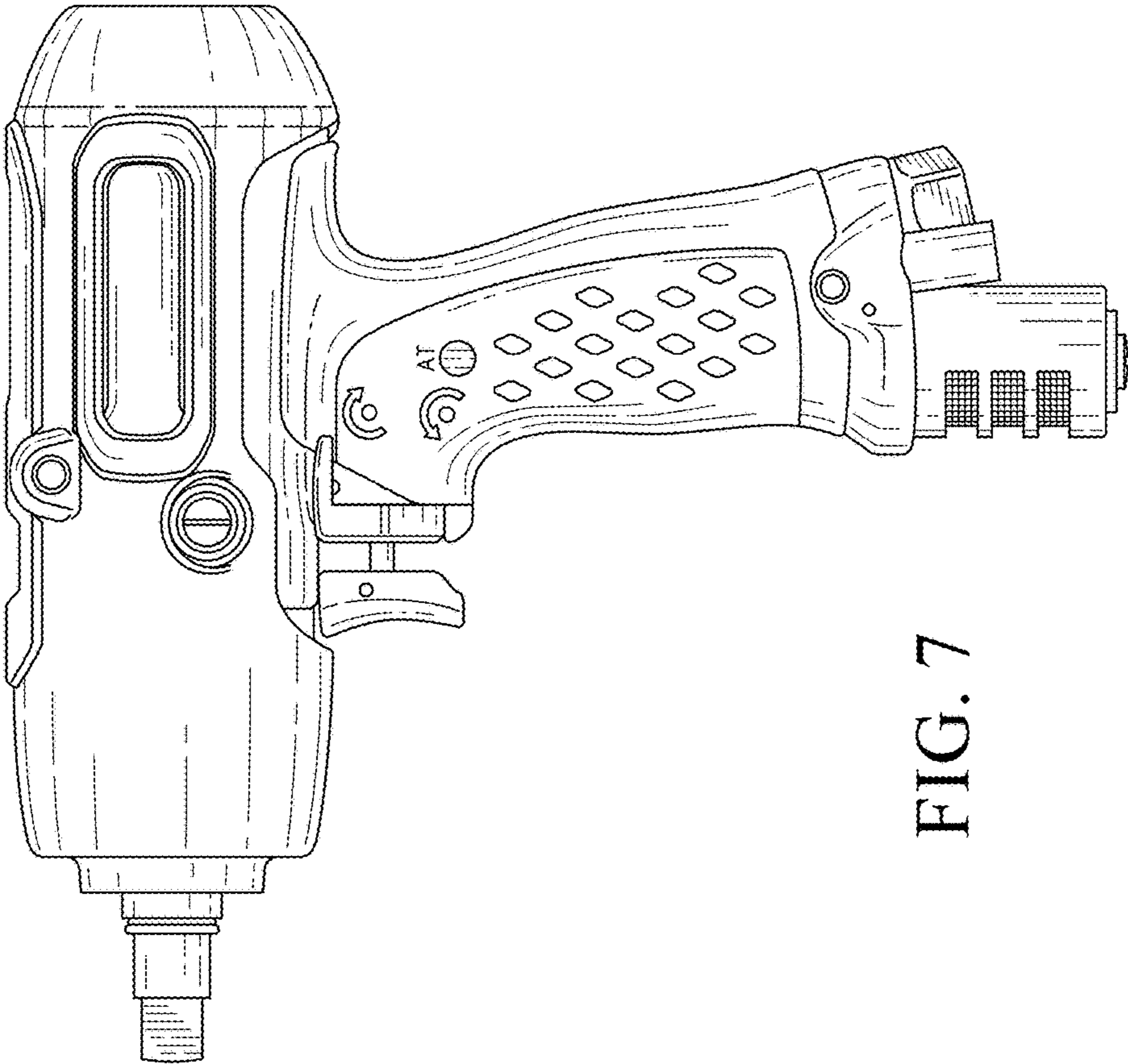


FIG. 7