



US00D801773S

(12) **United States Design Patent**  
**Nyström**

(10) **Patent No.:** **US D801,773 S**

(45) **Date of Patent:** **\*\* Nov. 7, 2017**

- (54) **PNEUMATIC PULSE TOOL**
- (71) Applicant: **ATLAS COPCO INDUSTRIAL  
TECHNIQUE AB**, Stockholm (SE)
- (72) Inventor: **Ola Petter Nyström**, Hägersten (SE)
- (73) Assignee: **ATLAS COPCO INDUSTRIAL  
TECHNIQUE AB**, Stockholm (SE)
- (\*\*) Term: **15 Years**
- (21) Appl. No.: **29/576,146**
- (22) Filed: **Aug. 31, 2016**
- (30) **Foreign Application Priority Data**

Mar. 1, 2016 (EM) ..... 003008713-0001

- (51) **LOC (10) Cl.** ..... **08-05**
- (52) **U.S. Cl.**  
USPC ..... **D8/68**
- (58) **Field of Classification Search**  
USPC ..... D8/61, 67, 68  
CPC . B21J 15/043; B21J 15/22; B21J 15/36; B21J  
15/326  
See application file for complete search history.

(56) **References Cited**

**U.S. PATENT DOCUMENTS**

D382,184 S *	8/1997	Sung	.....	D8/61
D388,678 S *	1/1998	Bantly	.....	D8/68
D396,620 S *	8/1998	Sung	.....	D8/68
D403,564 S *	1/1999	Izumisawa	.....	D8/68
D410,181 S *	5/1999	Sung	.....	D8/68
D410,830 S *	6/1999	Pusateri	.....	D8/61
D434,297 S *	11/2000	Iritani	.....	D8/68
D434,958 S *	12/2000	Izumisawa	.....	D8/68
D441,628 S *	5/2001	Bass	.....	D8/68
D461,110 S *	8/2002	Izumisawa	.....	D8/68
D469,673 S *	2/2003	Sliker	.....	D8/68

D472,782 S *	4/2003	Pusateri	.....	D8/68
D476,210 S *	6/2003	Chen	.....	D8/68
D496,243 S *	9/2004	Huang	.....	D8/68
D497,529 S *	10/2004	Price	.....	D8/68
D497,787 S *	11/2004	Liao	.....	D8/68
D504,299 S *	4/2005	Leasure	.....	D8/68
D504,604 S *	5/2005	Leasure	.....	D8/68
D507,732 S *	7/2005	Nowak	.....	D8/68
D513,690 S *	1/2006	Etter	.....	D8/68
D537,690 S *	3/2007	Su	.....	D8/68
D540,641 S *	4/2007	Clay	.....	D8/68
D605,490 S *	12/2009	Aglassinger	.....	D8/68
7,673,702 B2 *	3/2010	Johnson	.....	B25B 21/00 173/109
D664,413 S *	7/2012	Steinfels	.....	D8/68
D716,125 S *	10/2014	Yaschur	.....	D8/68

**OTHER PUBLICATIONS**

Related Design U.S. Appl. No. 29/576,154, filed Aug. 31, 2016,  
Title: "Pneumatic Pulse Tool", First Named Inventor: Ola Petter  
Nyström.

\* cited by examiner

*Primary Examiner* — Darlington Ly  
(74) *Attorney, Agent, or Firm* — Holtz, Holtz & Volek PC

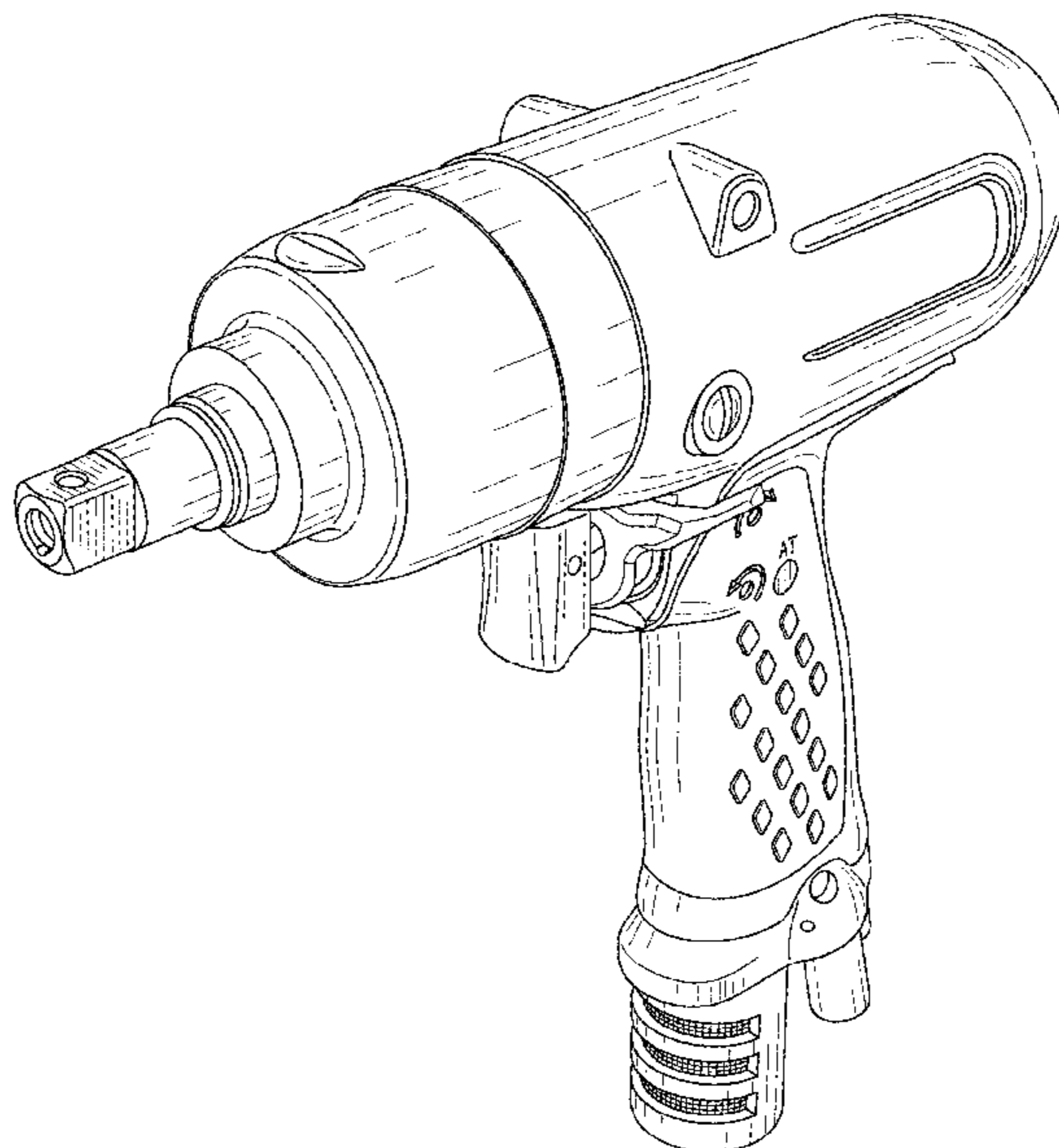
(57) **CLAIM**

The ornamental design for a pneumatic pulse tool, as shown.

**DESCRIPTION**

FIG. 1 is a front, top, left side perspective view of a  
pneumatic pulse tool showing my new design;  
FIG. 2 is a left side elevational view thereof;  
FIG. 3 is a right side elevational view thereof;  
FIG. 4 is a top plan view thereof;  
FIG. 5 is a bottom plan view thereof;  
FIG. 6 is a rear elevational view thereof; and,  
FIG. 7 is a front elevational view thereof.

**1 Claim, 5 Drawing Sheets**



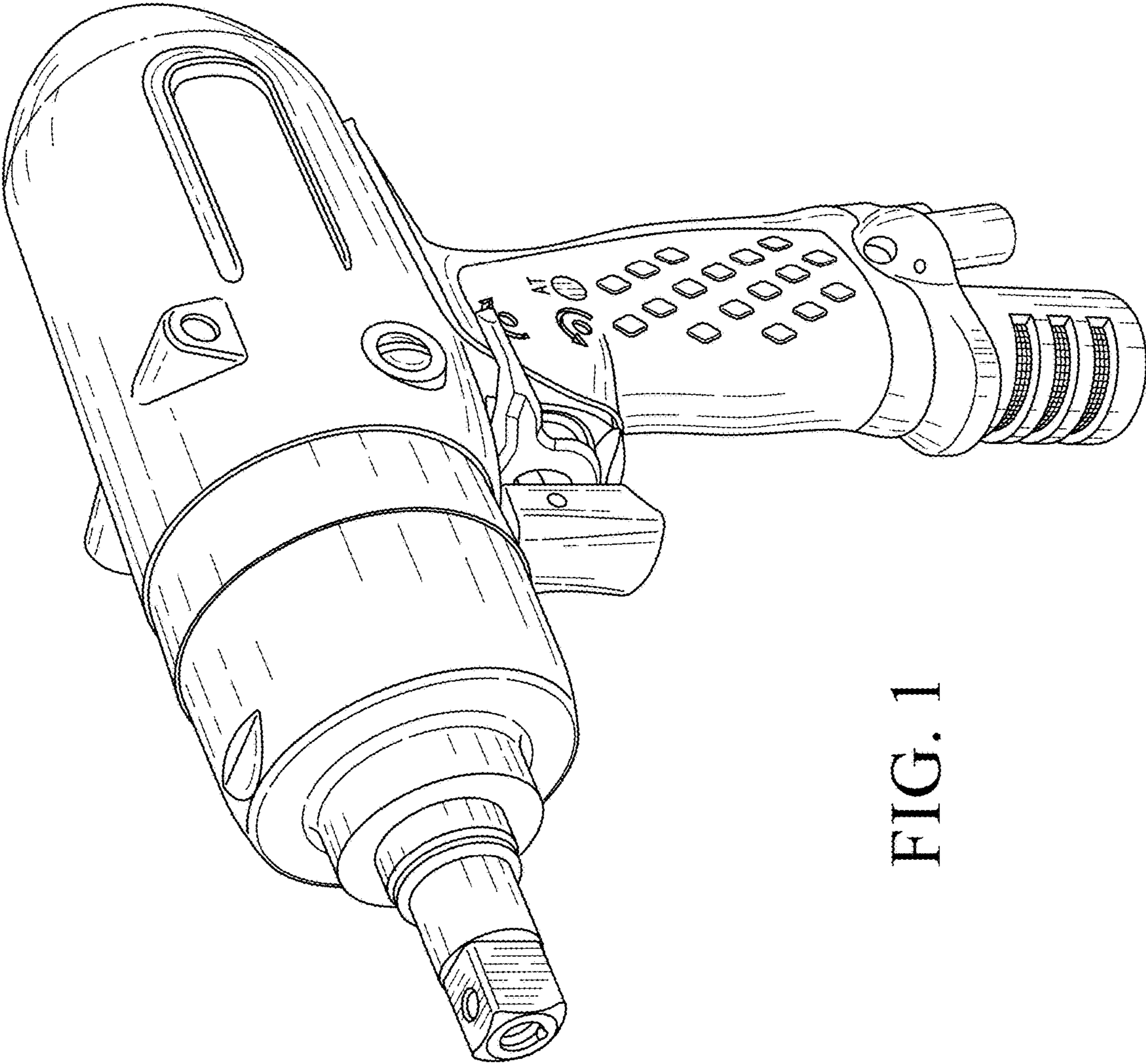


FIG. 1

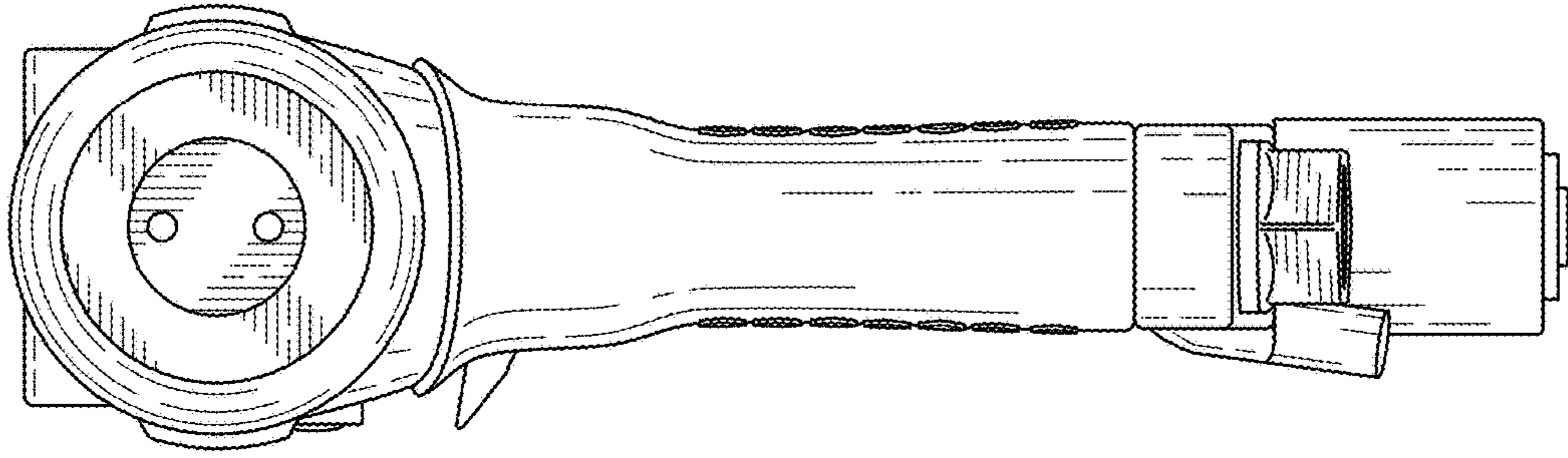


FIG. 3

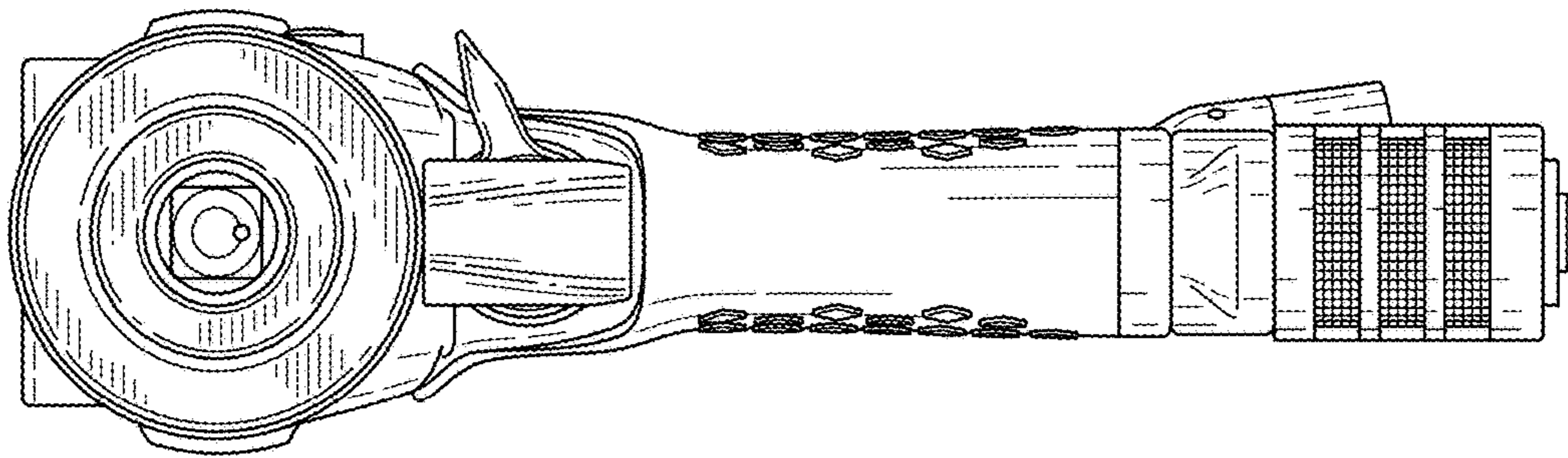


FIG. 2

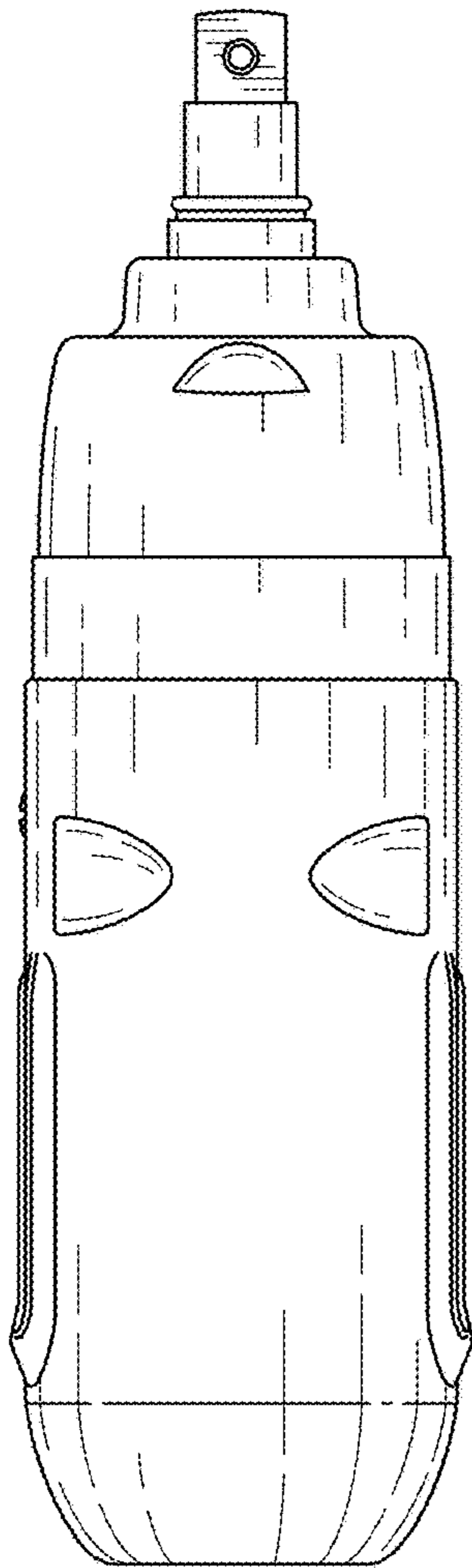


FIG. 4

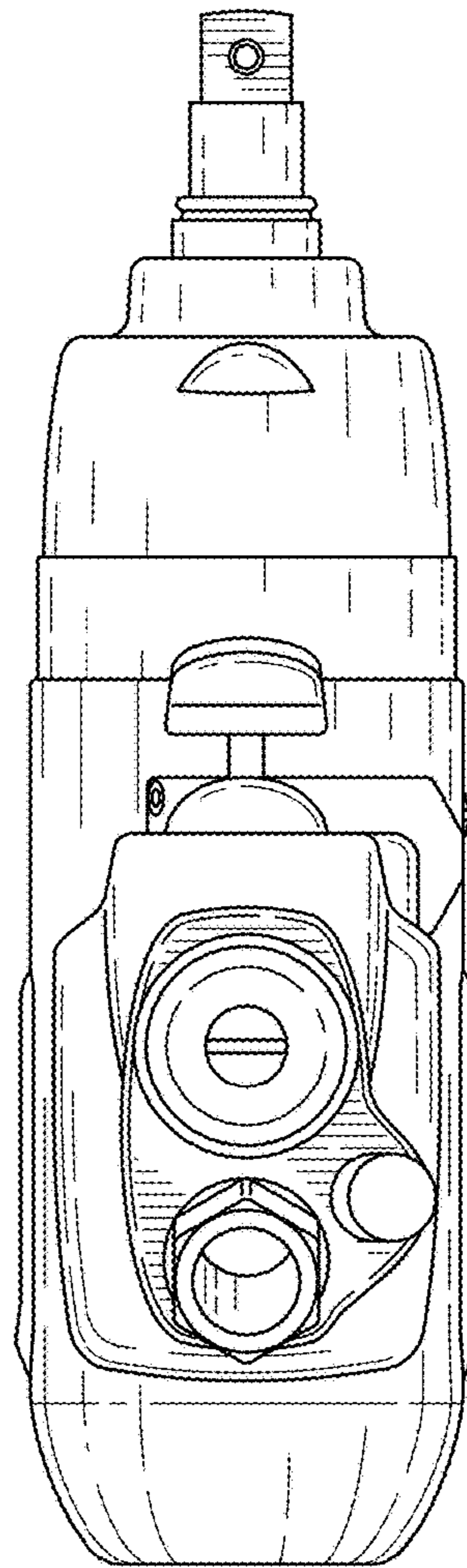


FIG. 5

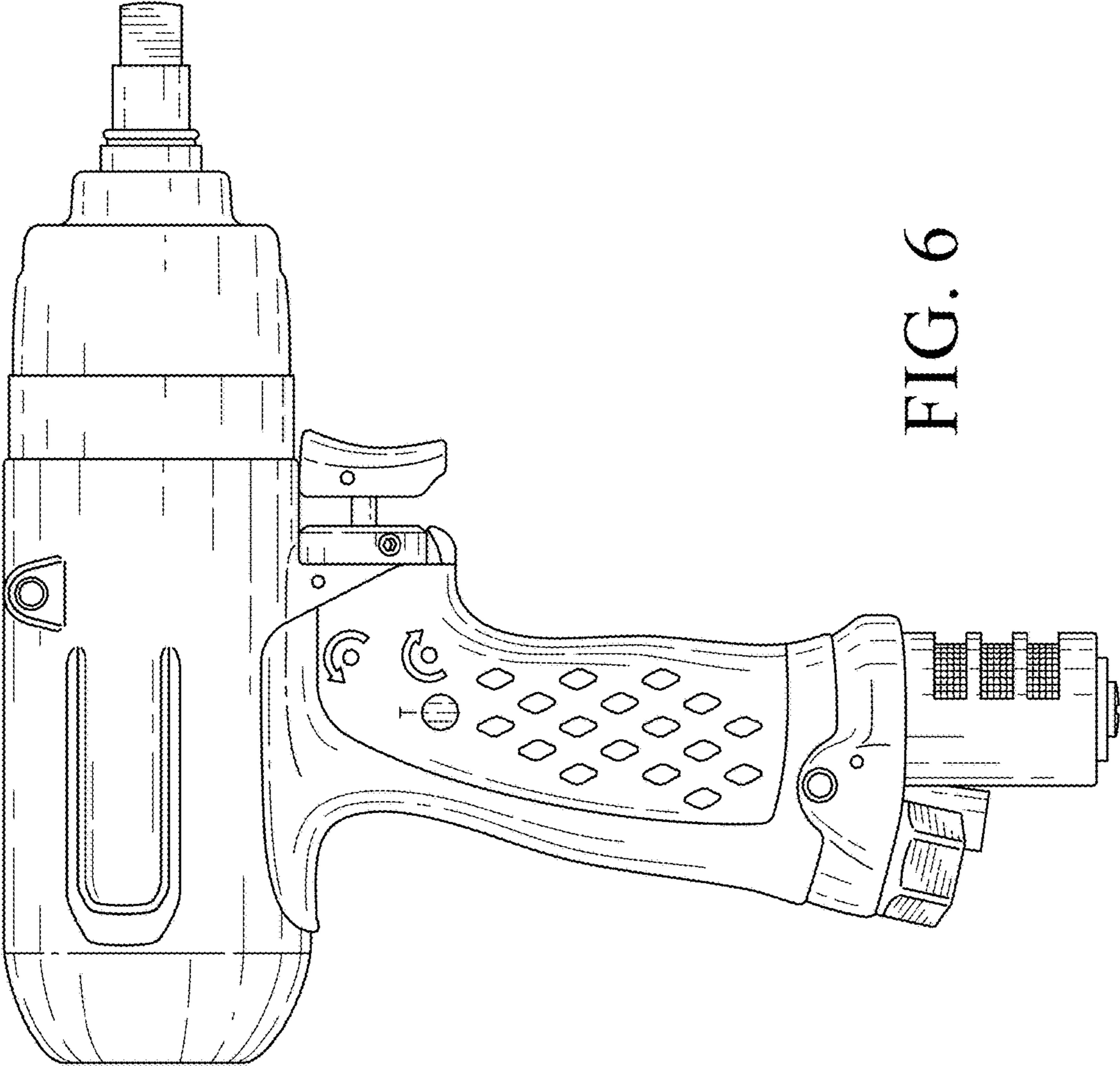


FIG. 6

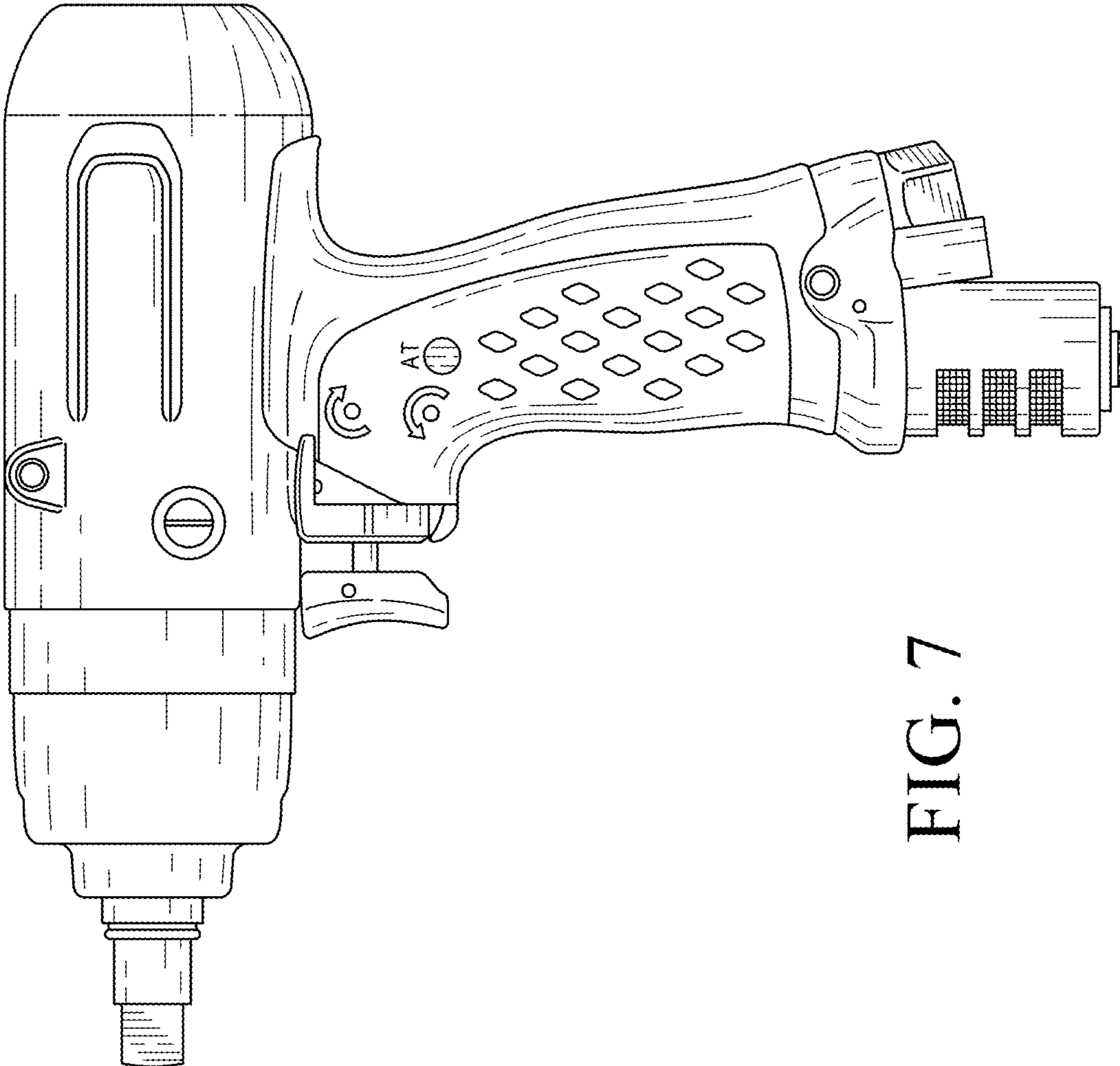


FIG. 7