



US00D801772S

(12) **United States Design Patent** (10) **Patent No.:** **US D801,772 S**  
**Roeck et al.** (45) **Date of Patent:** **\*\* Nov. 7, 2017**

(54) **GRINDING MACHINE**

- (71) Applicant: **Flex-Elektrowerkzeuge GmbH**,  
Steinheim/Murr (DE)
- (72) Inventors: **Dirk Roeck**, Ingersheim (DE); **Udo Panzer**,  
Weissach (DE); **Nazim Sabuncuoglu**,  
Ludwigsburg (DE)
- (73) Assignee: **Flex-Elektrowerkzeuge GmbH**,  
Steinheim/Murr (DE)
- (\*\*) Term: **15 Years**
- (21) Appl. No.: **29/543,349**
- (22) Filed: **Oct. 23, 2015**

OTHER PUBLICATIONS

Flex-Elektrowerkzeuge GmbH, product information sheet for FLEX, Wall and ceiling sanders, WSE 500, Long-neck sander, Classic-Giraffe®, 1 page [retrieved on Feb. 28, 2014].  
(Continued)

*Primary Examiner* — Austin Murphy  
(74) *Attorney, Agent, or Firm* — Lipsitz & McAllister, LLC

(57) **CLAIM**

The ornamental design for a “grinding machine,” as shown and described.

**Related U.S. Application Data**

- (62) Division of application No. 29/477,464, filed on Dec. 23, 2013, now Pat. No. Des. 748,963.

(30) **Foreign Application Priority Data**

- Jul. 5, 2013 (EM) ..... 002269662
- (51) **LOC (10) Cl.** ..... **08-01**
- (52) **U.S. Cl.**  
USPC ..... **D8/62**
- (58) **Field of Classification Search**  
USPC .... D8/69, 68, 67, 66, 64, 61, 70; 83/698.41,  
83/747, 166.3, 374, 373, 375, 376, 391,  
(Continued)

(56) **References Cited**

U.S. PATENT DOCUMENTS

- 2,702,395 A 2/1955 Zaiger
- 3,785,092 A \* 1/1974 Hutchins ..... B24B 55/105  
451/357

(Continued)

FOREIGN PATENT DOCUMENTS

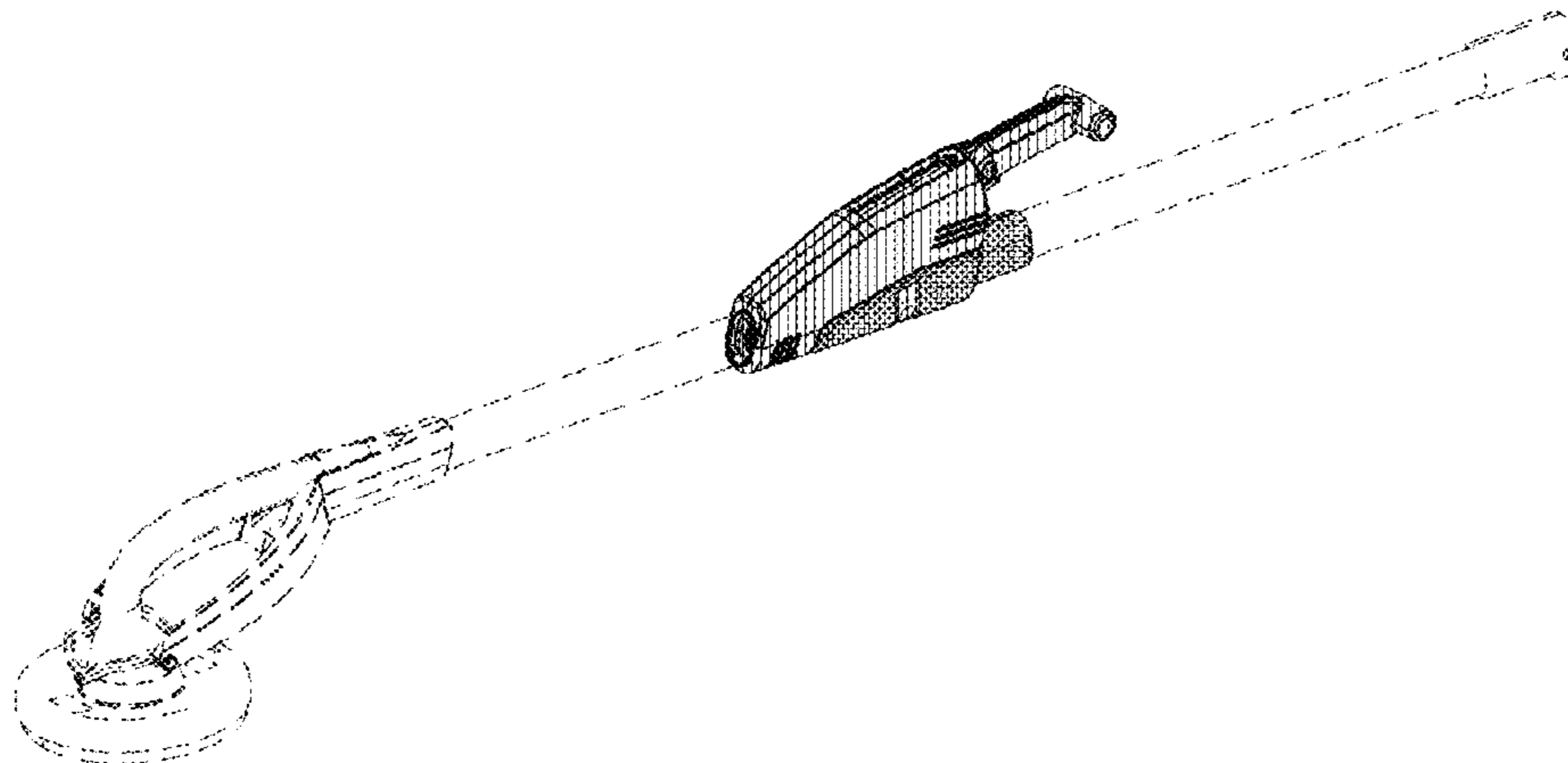
- DE 19830579 1/1999
- DE 102005021153 11/2006

(Continued)

**DESCRIPTION**

FIG. 1 is a perspective view of a grinding machine showing the new design; FIG. 2 is a first end view of the grinding machine of FIG. 1; FIG. 3 is a left side view of the grinding machine of FIG. 1; FIG. 4 is a second end view of the grinding machine of FIG. 1; FIG. 5 is a right side view of the grinding machine of FIG. 1; FIG. 6 is a top view of the grinding machine of FIG. 1; and FIG. 7 is a bottom view of the grinding machine of FIG. 1. FIG. 8 is a perspective view of a grinding machine showing the new design. FIG. 9 is a first end view of the grinding machine of FIG. 8; FIG. 10 is a left side view of the grinding machine of FIG. 8; FIG. 11 is a second end view of the grinding machine of FIG. 8; FIG. 12 is a right side view of the grinding machine of FIG. 8; FIG. 13 is a top view of the grinding machine of FIG. 8; and, FIG. 14 is a bottom view of the grinding machine of FIG. 8. Certain of the drawings are lined for color. Throughout the FIGS. 1-7, the vertical hatching represents a first color, in particular the color red, and the cross-hatching represents a second color, in particular the color dark grey or black.

(Continued)



The broken line showing of various elements in the drawings forms no part of the claimed design.

**1 Claim, 8 Drawing Sheets**

(58) **Field of Classification Search**

USPC ..... 83/377, 390, 388, 389; 125/13.01;  
144/218; D21/532  
CPC ..... B24B 7/18; B24B 7/184; B24B 23/02;  
B24B 55/102; B24B 13/16  
See application file for complete search history.

(56) **References Cited**

U.S. PATENT DOCUMENTS

4,158,935	A	6/1979	Robert	
4,782,632	A *	11/1988	Matechuk	B24B 7/184 451/354
5,239,783	A	8/1993	Matechuk	
5,545,080	A	8/1996	Clowers et al.	
5,690,545	A	11/1997	Clowers et al.	
5,951,389	A	9/1999	Hettes et al.	
6,659,852	B1	12/2003	Wettstein et al.	
7,203,986	B2	4/2007	Pears et al.	
7,220,174	B2	5/2007	Phillips et al.	
D564,322	S *	3/2008	Wright	D8/62
7,387,564	B2	6/2008	Jespersen	
D573,431	S *	7/2008	Wright	D8/62
7,458,884	B2	12/2008	Falk	
7,549,913	B2	6/2009	Weiford et al.	
7,625,264	B1 *	12/2009	Gordon	B24B 7/184 451/294
7,828,631	B1 *	11/2010	Herbert	B24B 7/18 451/344
7,887,395	B2	2/2011	Weiford et al.	
8,206,200	B2	6/2012	Stott	
8,591,292	B2 *	11/2013	Roscher	B24B 7/18 451/353
8,839,778	B2 *	9/2014	South	B28D 1/04 125/13.01
D748,963	S *	2/2016	Roeck	D8/62
D787,908	S *	5/2017	Hebert	D8/62
2006/0073778	A1 *	4/2006	Phillips	B24B 7/184 451/354
2008/0085664	A1 *	4/2008	Weiford	B24B 7/184 451/259
2009/0215365	A1	8/2009	Weiford et al.	
2010/0048108	A1	2/2010	Stott	

FOREIGN PATENT DOCUMENTS

EP	1702715	9/2006
WO	2008/033377	3/2008
WO	2008/037021	4/2008

OTHER PUBLICATIONS

Flex-Elektrowerkzeuge GmbH, product information sheet for FLEX, Wall and ceiling sanders, WST 700 VV, Vario-Giraffe® wall and ceiling sander, 1 page [retrieved on Feb. 28, 2014].

Flex-Elektrowerkzeuge GmbH, description of FLEX WST 700 VV Vario-Giraffe handle together with an English language translation, 1 page, source unknown [retrieved on Mar. 3, 2014].  
Menzer, description for LHS 225, Long-Neck Sander, 1 page [retrieved on Feb. 20, 2014].  
Menzer, specification for LHS 225, Long-Neck Sander, 1 page [retrieved on Feb. 20, 2014].  
Menzer, description for LHS 225 Vario, Long-Neck Sander, 1 page [retrieved on Feb. 20, 2014].  
Menzer, specification for LHS 225 Vario, Long-Neck Sander, 1 page [retrieved on Feb. 20, 2014].  
Menzer, description for LHS 225 Pro, Long-Neck Sander, 1 page [retrieved on Feb. 20, 2014].  
Menzer, specification for LHS 225 Pro, Long-Neck Sander, 1 page [retrieved on Feb. 20, 2014].  
Lux Tools, photo and product description for Drywall Sander TBS-600, 3 pages, an English language translation is attached [retrieved on Feb. 20, 2014].  
Storch AG, product information sheet for Wall and ceiling sanders “Spider”, long, 2 pages, an English language translation is attached [retrieved on Feb. 20, 2014].  
Sparky Power Tools GmbH, product information sheet for SMA 717CE, Long reach sander, 1 page [retrieved on Feb. 20, 2014].  
Rokamat, photo and product information sheet for Rokamat Titano, No. 60000, 2 pages [retrieved on Feb. 20, 2014].  
Rokamat, photo and product information sheet for Rokamat Gecko, No. 80000, 2 pages [retrieved on Feb. 20, 2014].  
Festool Group GmbH & Co. KG, photo and product information sheet for Long-reach sander PLANEX LHS 225, LHS 225 EQ-Plus, 2 pages [retrieved on Feb. 28, 2014].  
Spit, product information sheet for Long Neck Grinder Spit DWS 225, 2 pages, an English language translation is attached [retrieved on Feb. 28, 2014].  
Festool TV Australia, Screenshot of Festool Planex Official Video—Drywall Sanding, 1 page, Apr. 19, 2012, retrieved from the Internet, [retrieved on Aug. 5, 2015]: <URL:https://www.youtube.com/watch?v=2XIIsr2dISw&list=PLXVo7a-KILQMnUD8PqOSV9jgywe4Otitx>.  
Obi, Lux-Tools Trockenbauschleifer TBS600, 1 page, Jul. 26, 2012, retrieved from the Internet, [retrieved on Aug. 5, 2015]: <URL: http://www.obi.de/decom/product/LUX\_Trockenbauschleifer\_TBS\_600/5258058>.  
MENZERTools, Screenshot of Menzer LHS 225 Pro—Langhalsschleifer video, 1 page, Feb. 7, 2013, retrieved from the Internet, [retrieved on Aug. 5, 2015]: <URL: https://www.youtube.com/watch?v=YBycV49w2BA>.  
Rokamat, Screenshot of Rokamat “GECKO” Elite-Trockenbauschleifer [Original Video—deutsch] video, 1 page, Mar. 12, 2012, retrieved from the Internet, [retrieved on Aug. 5, 2015]: <URL: https://www.youtube.com/watch?v=Mh7qwNmbj8>.  
Rokamat, Screenshot of Rokamat “TITANO” Telescope Grinder/Teleskopschleifer[Original Video]video, 1 page, Apr. 19, 2010, retrieved from the Internet, [retrieved on Aug. 5, 2015]; <URL: https://www.youtube.com/watch?v=Y8O4oHe-4Nk>.  
Vladislav Sakhanov, Screenshot of Sparky SMA 717 CE video, 1 page, Oct. 31, 2013, retrieved from the internet, [retrieved on Aug. 5, 2015]: <URL: https://www.youtube.com/watch?v=s9j1Jkx7D88>.  
Funthomas999, Screenshot of Storch Spider S video, 1 page, May 11, 2013, retrieved from the internet, [retrieved on Aug. 5, 2015]: <URL:https://youtube.com/watch?v=QXAY4-baX3U>.

\* cited by examiner



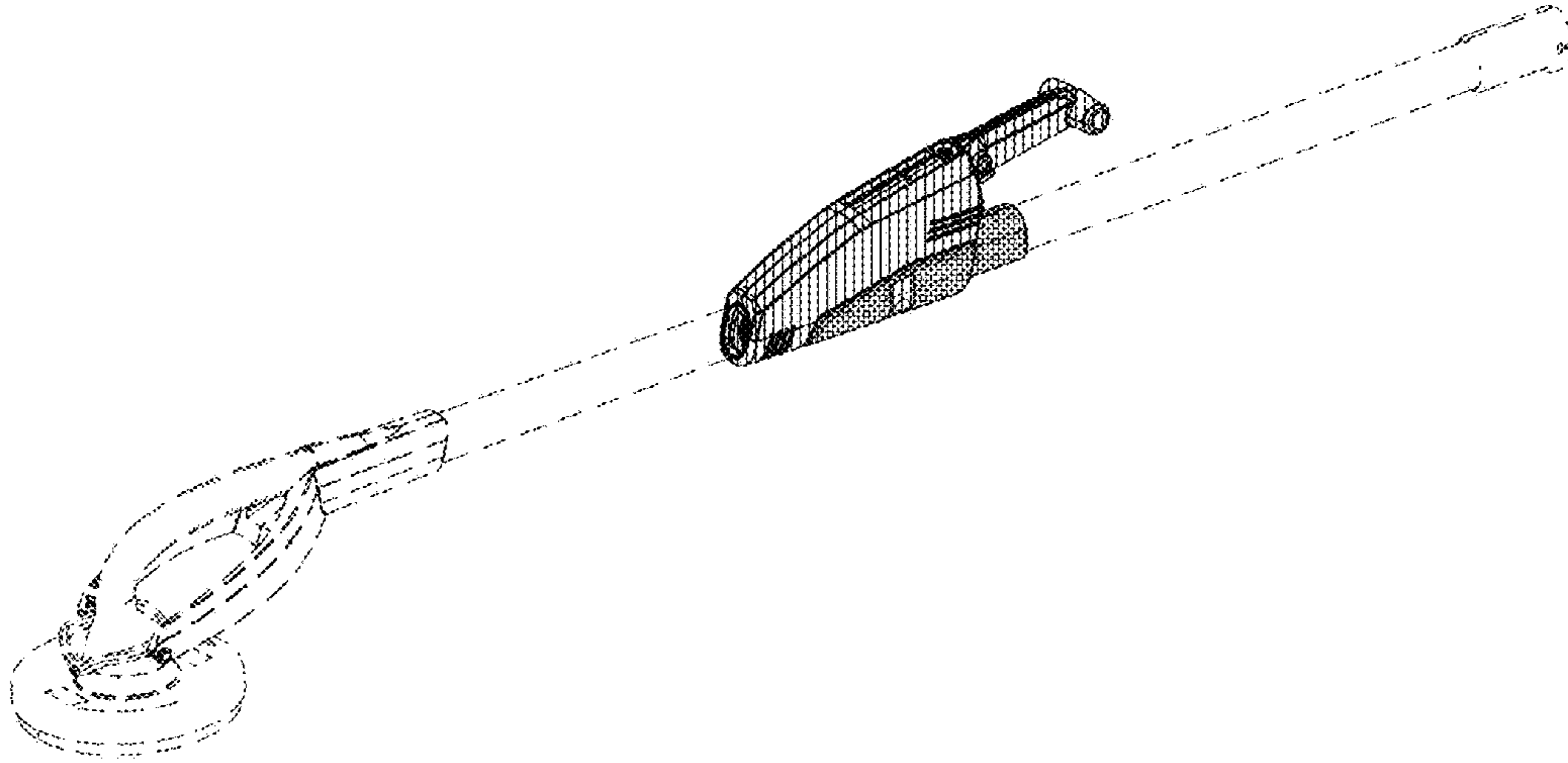


FIG. 1

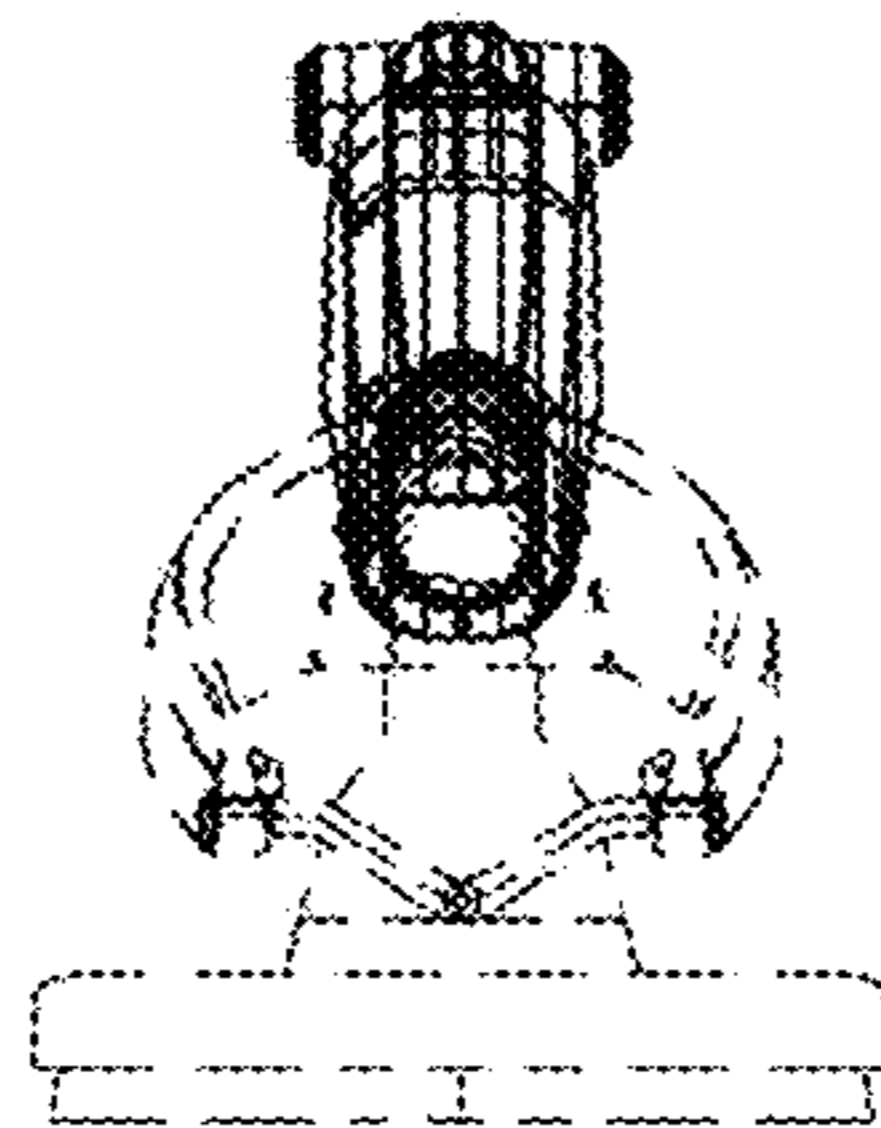


FIG. 2

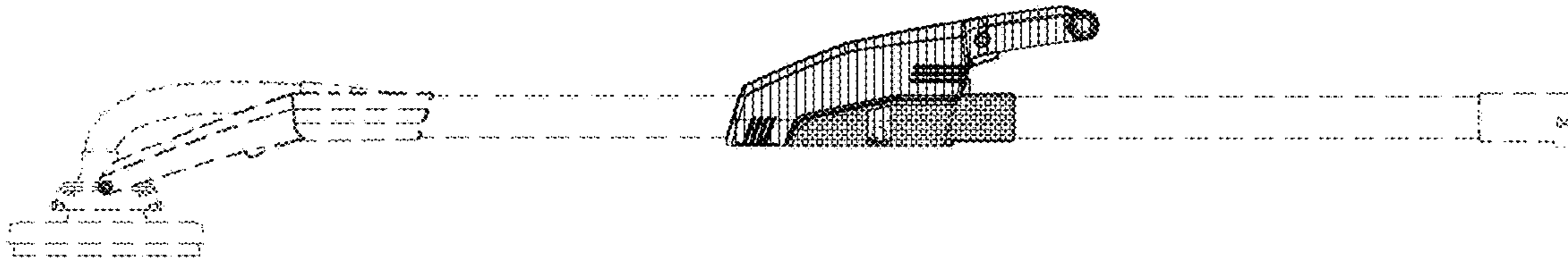


FIG. 3

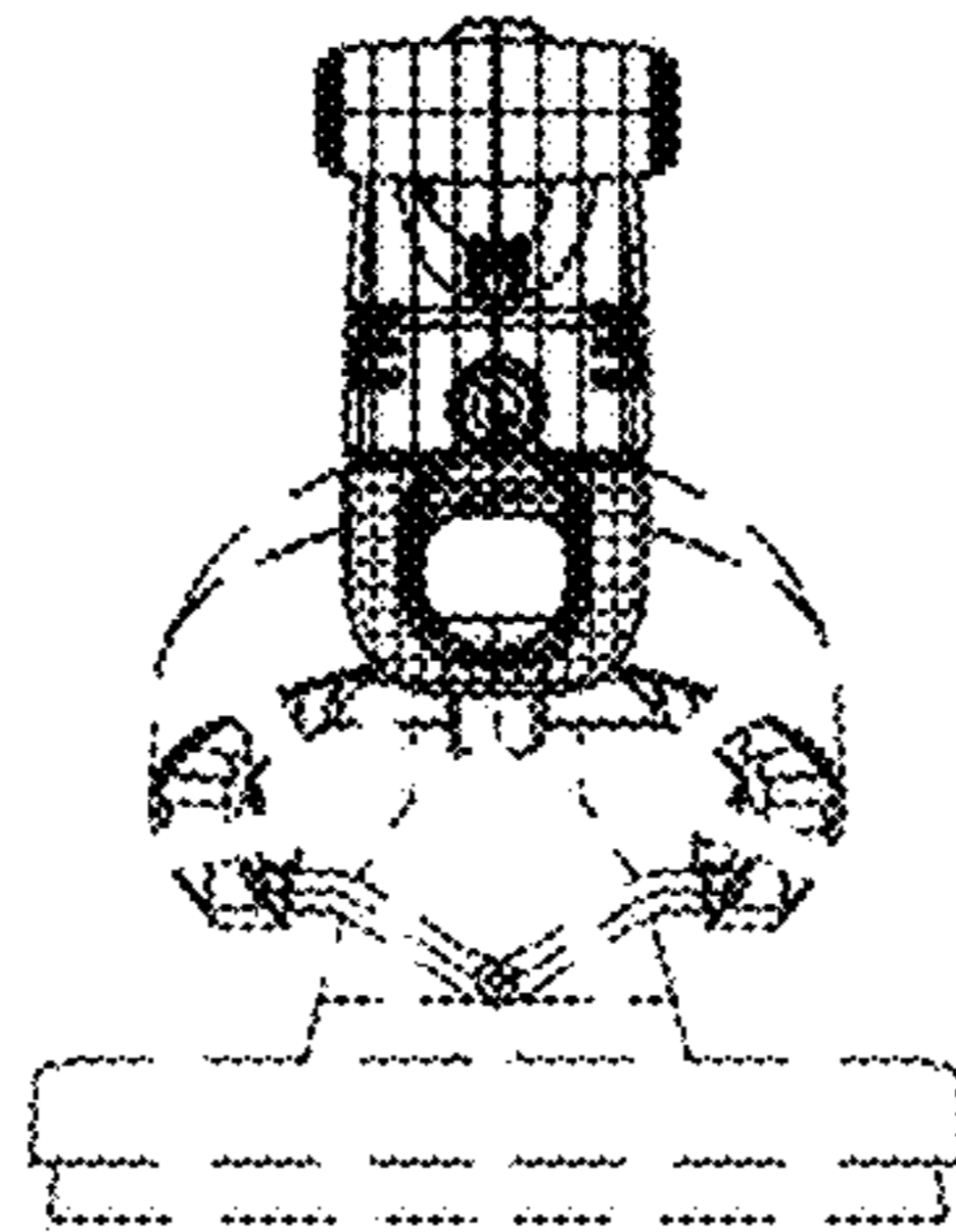


FIG. 4

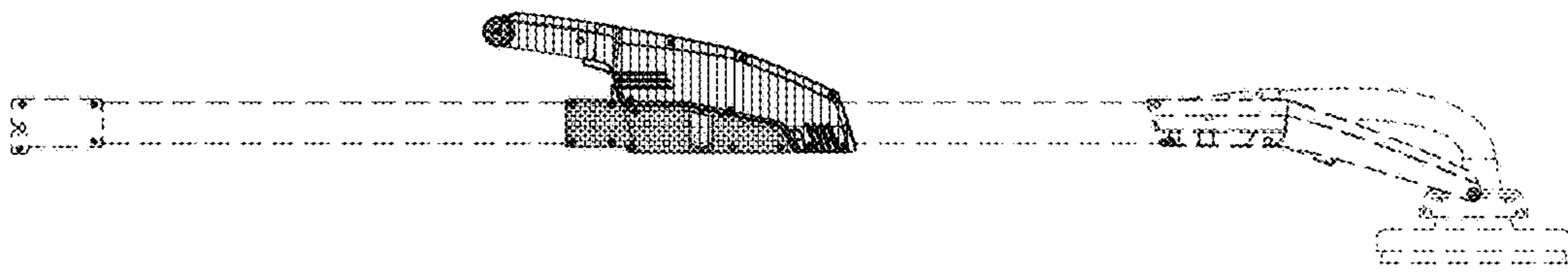


FIG. 5

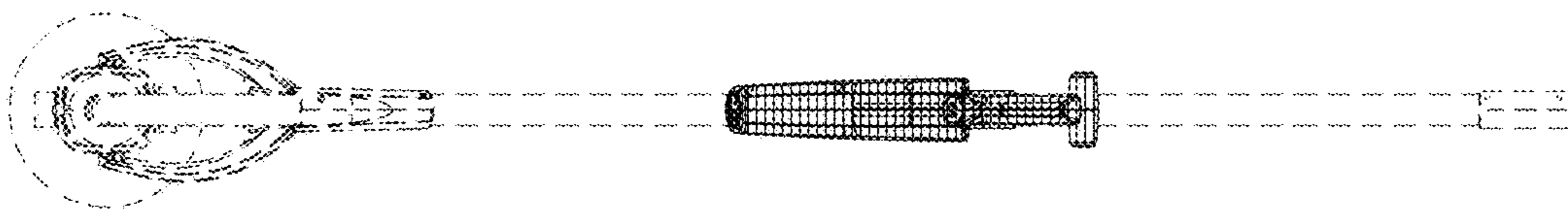


FIG. 6

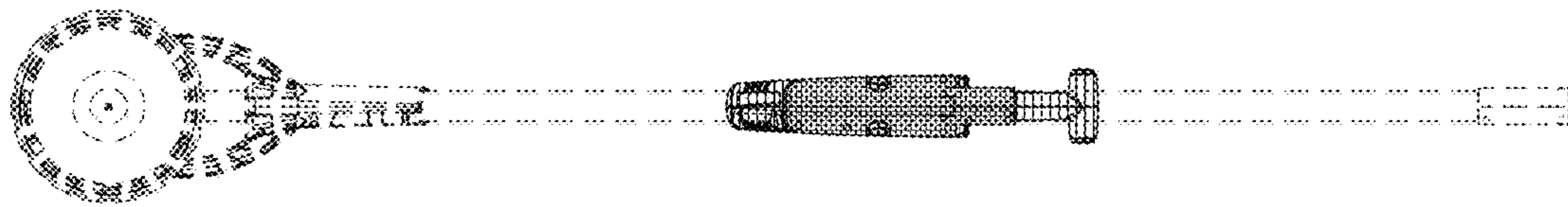


FIG. 7

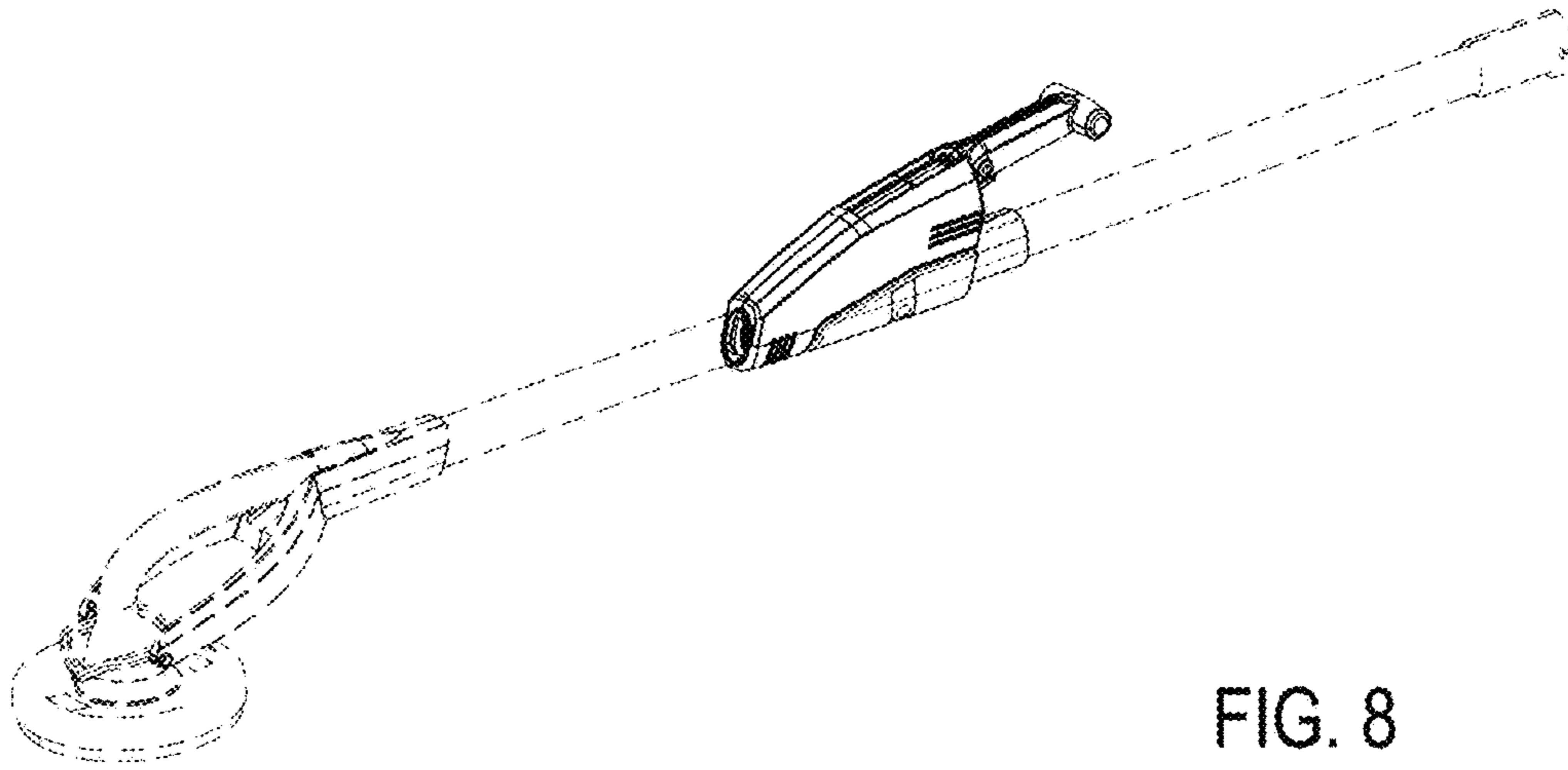


FIG. 8

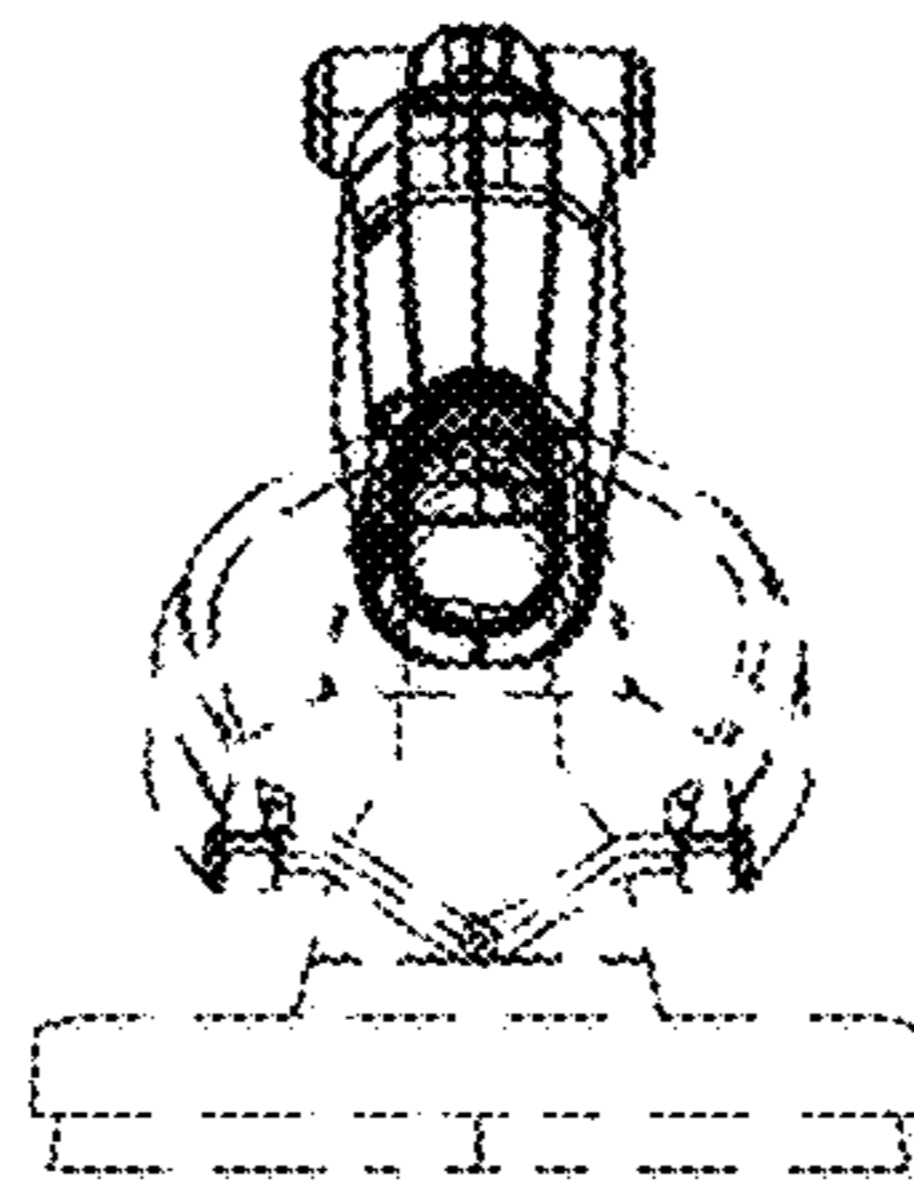


FIG. 9

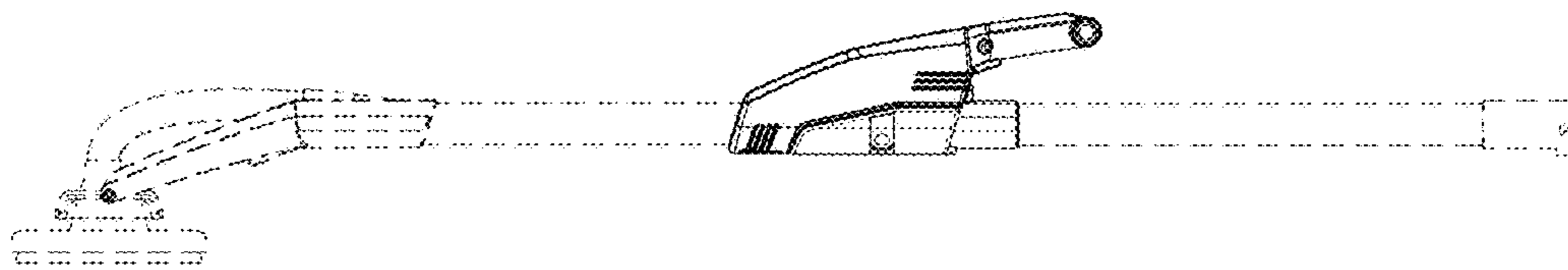


FIG. 10

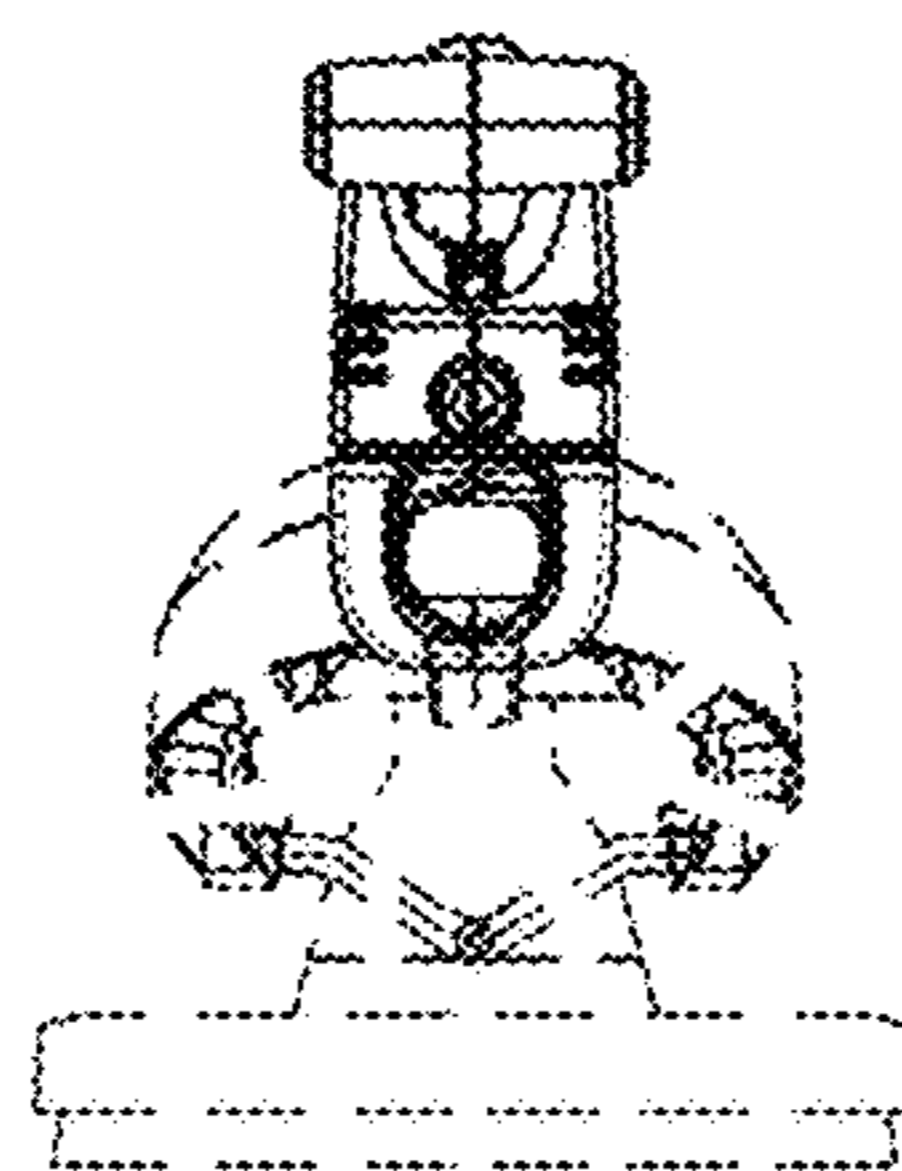


FIG. 11



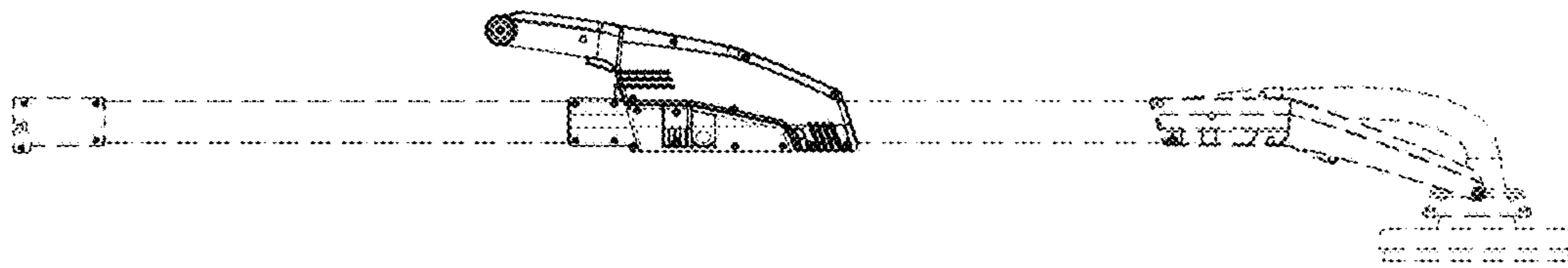


FIG. 12

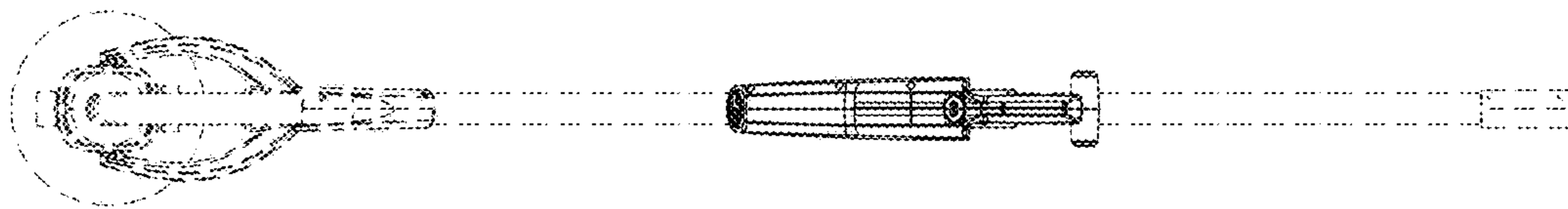


FIG. 13

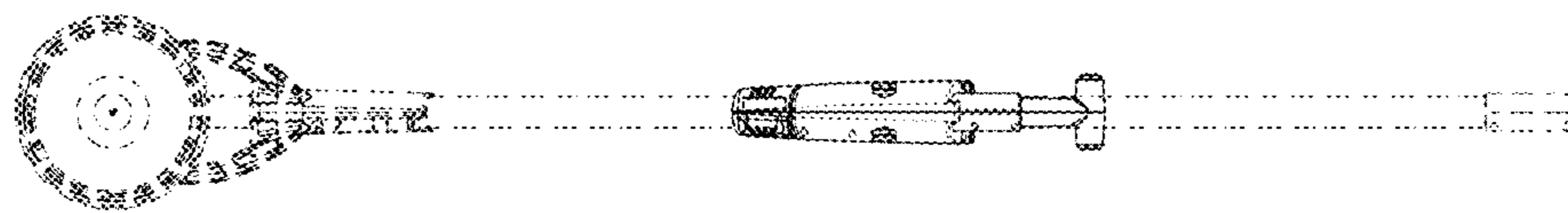


FIG. 14