



US00D801770S

(12) **United States Design Patent**  
**Bridges et al.**

(10) **Patent No.:** **US D801,770 S**

(45) **Date of Patent:** **\*\* Nov. 7, 2017**

- (54) **MULTIPLE GRIP AREA PLIERS**
- (71) Applicant: **APEX BRANDS, INC.**, Apex, NC  
(US)
- (72) Inventors: **Tobias McKay Bridges**, Holly Springs,  
NC (US); **Jonathan Siebert Beckwith**,  
Raleigh, NC (US); **Randi Ligon**, Apex,  
NC (US); **John Griffin Biering, Jr.**,  
Charlotte, NC (US); **Zachary Grant**  
**Hays**, Belmont, NC (US); **Trent**  
**Kahute**, Atlanta, GA (US); **Alexander**  
**Troitzsch**, Atlanta, GA (US); **Stephanie**  
**Lewis**, Atlanta, GA (US); **Justin**  
**Arsenault**, Atlanta, GA (US); **Alan**  
**David Anderson**, Willow Spring, NC  
(US); **George R. Thompson, IV**,  
Fuquay Varina, NC (US)
- (73) Assignee: **APEX BRANDS, INC.**, Apex, NC  
(US)

(\*\*) Term: **15 Years**

(21) Appl. No.: **29/571,612**

(22) Filed: **Jul. 20, 2016**

(51) **LOC (10) Cl.** ..... **08-05**

(52) **U.S. Cl.**  
USPC ..... **D8/52**

(58) **Field of Classification Search**  
USPC ..... D8/4, 5, 51-60  
CPC ..... B25B 7/02; B25F 1/00  
See application file for complete search history.

(56) **References Cited**

U.S. PATENT DOCUMENTS

- D161,004 S \* 11/1950 Cook ..... D11/1
- 3,744,069 A \* 7/1973 Grebow ..... B25F 1/003  
15/236.06
- 3,760,473 A \* 9/1973 Studdard ..... B23D 71/04  
15/104.04

- 4,957,020 A \* 9/1990 Monceret ..... B25B 7/10  
411/222
- D312,199 S \* 11/1990 Dlugolecki ..... D8/52
- 5,014,379 A 5/1991 Hull et al.
- 5,134,908 A \* 8/1992 Fisher ..... B25B 7/10  
81/414
- 6,270,134 B1 8/2001 Lin
- D449,768 S \* 10/2001 Salazar ..... D8/105

(Continued)

FOREIGN PATENT DOCUMENTS

JP H027964 U 1/1990

*Primary Examiner* — Deanna L Pratt

(74) *Attorney, Agent, or Firm* — McNair Law Firm, P.A.

(57) **CLAIM**

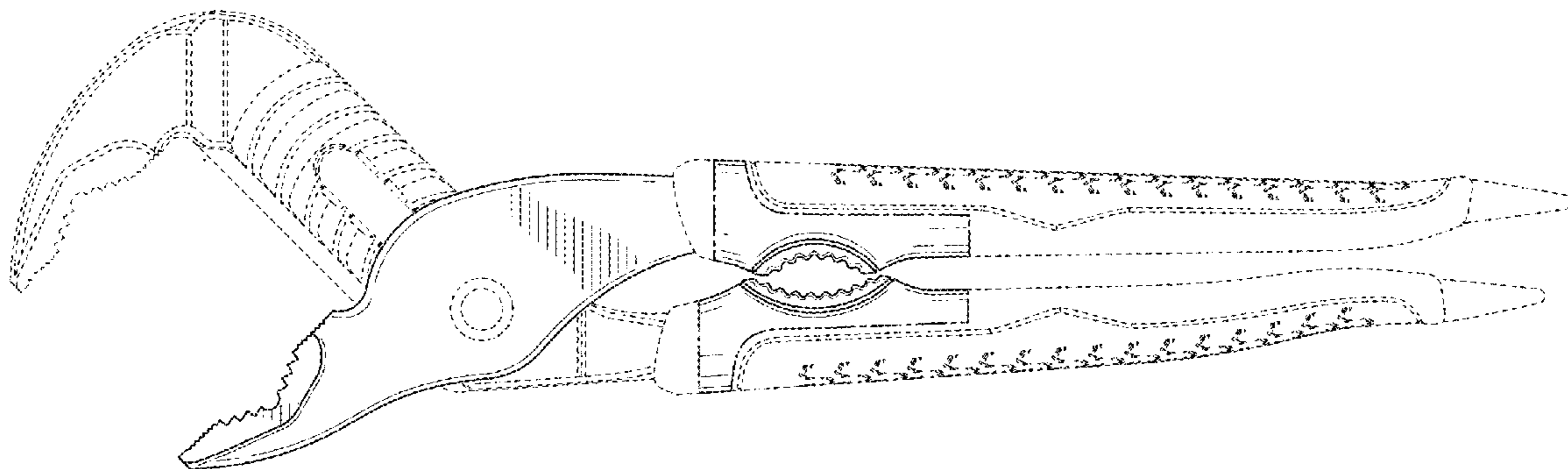
The ornamental design for a multiple grip area pliers, as shown and described.

**DESCRIPTION**

FIG. 1 is a perspective view of a multiple grip area pliers in accordance with an embodiment of the present invention; FIG. 2 is a top view of the multiple grip area pliers of FIG. 1; FIG. 3 is a bottom view of the multiple grip area pliers of FIG. 1; FIG. 4 is a left side view of the multiple grip area pliers of FIG. 1; FIG. 5 is a right side view of the multiple grip area pliers of FIG. 1; FIG. 6 is a front view of the multiple grip area pliers of FIG. 1; and, FIG. 7 is a back view of the multiple grip area pliers of FIG. 1.

The evenly-spaced broken lines illustrate portions of the multiple grip area pliers that form no part of the claimed design. The unevenly-spaced broken lines illustrate the bounds of the claimed design and form no part thereof.

**1 Claim, 5 Drawing Sheets**



(56)

**References Cited**

U.S. PATENT DOCUMENTS

6,725,486	B2	4/2004	Oka	
D490,288	S *	5/2004	Griffin .....	D8/52
6,776,073	B1	8/2004	Brady et al.	
8,136,188	B2	3/2012	Bell	
8,661,948	B2	3/2014	DeBaker et al.	
D702,521	S *	4/2014	Jang Soo .....	D7/693
8,707,833	B1	4/2014	Gedeon	
9,370,857	B2 *	6/2016	Guenther .....	B25B 7/00
2006/0023682	A1	2/2006	Tamura	
2014/0004795	A1	1/2014	Kawashimo et al.	

\* cited by examiner

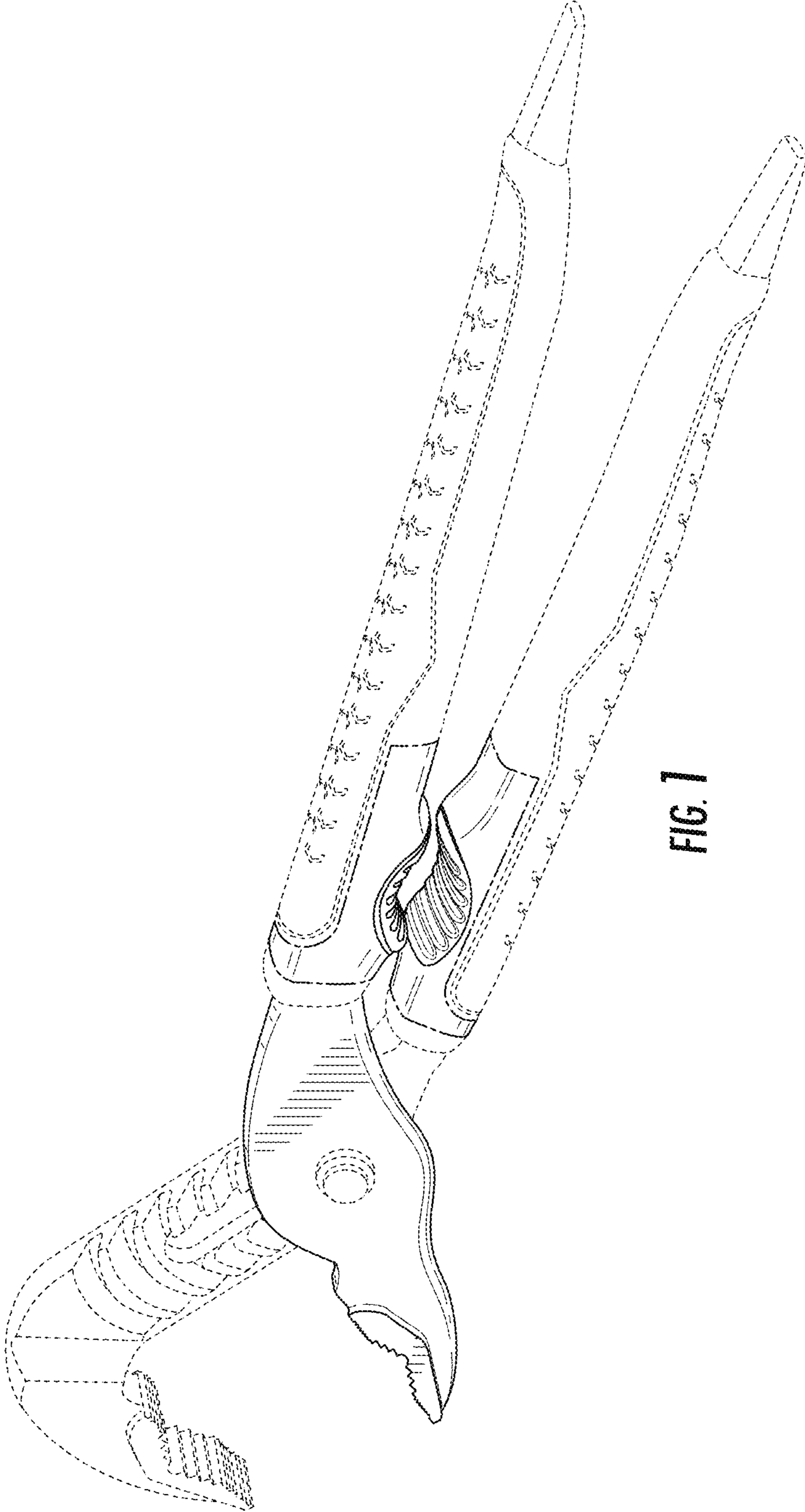


FIG. 1

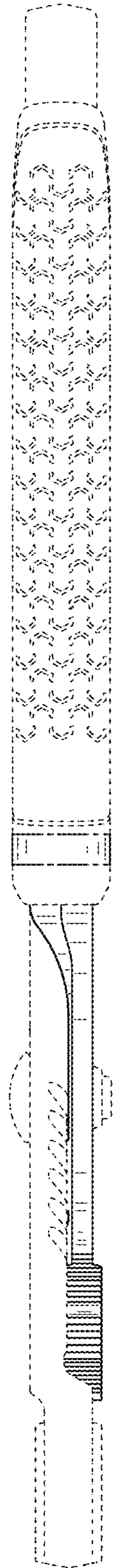


FIG. 2

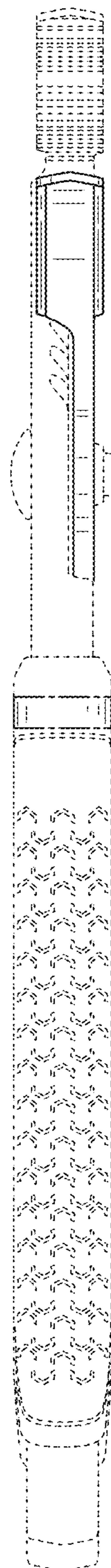


FIG. 3

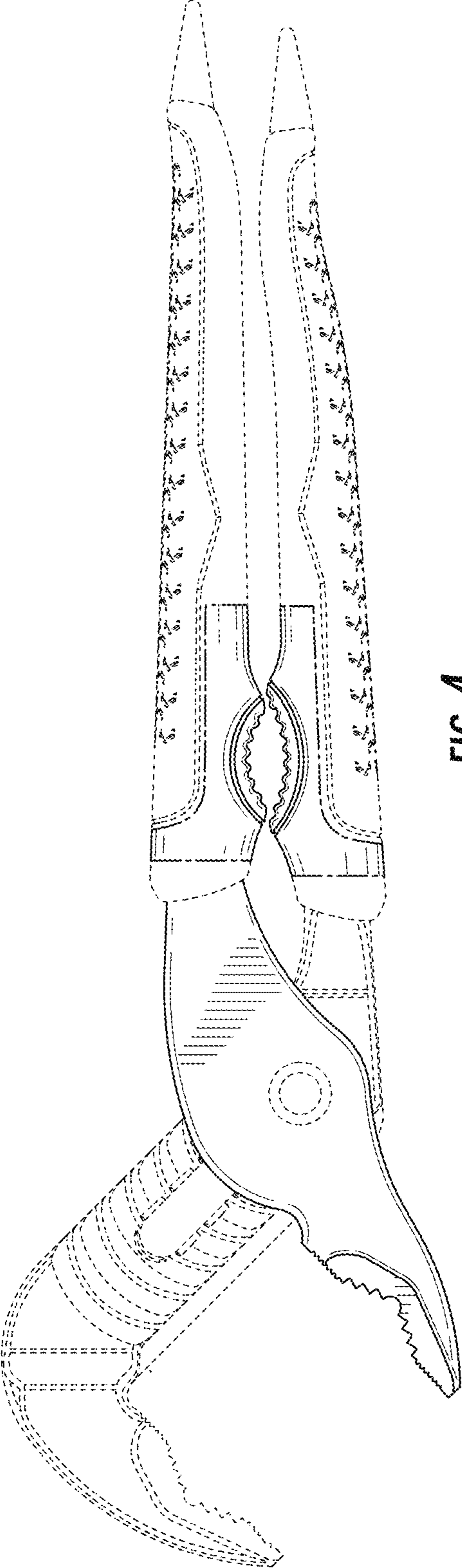


FIG. 4

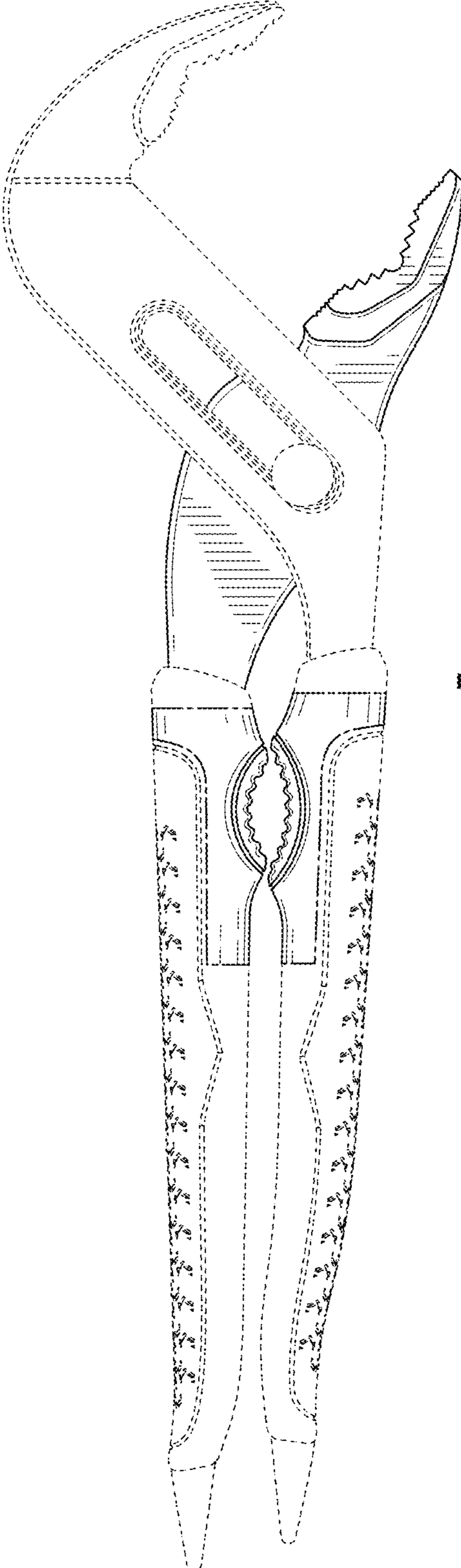


FIG. 5

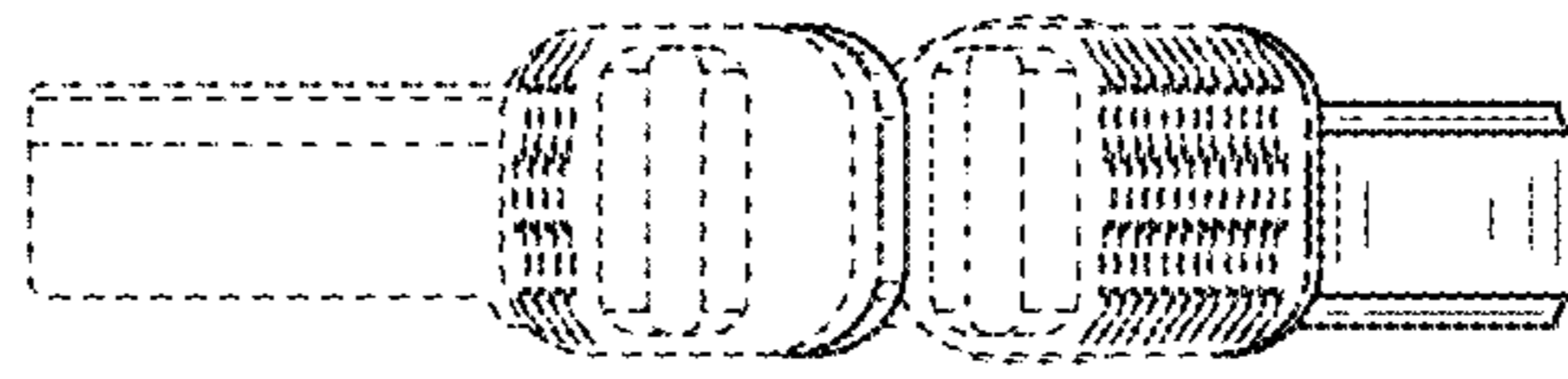


FIG. 7

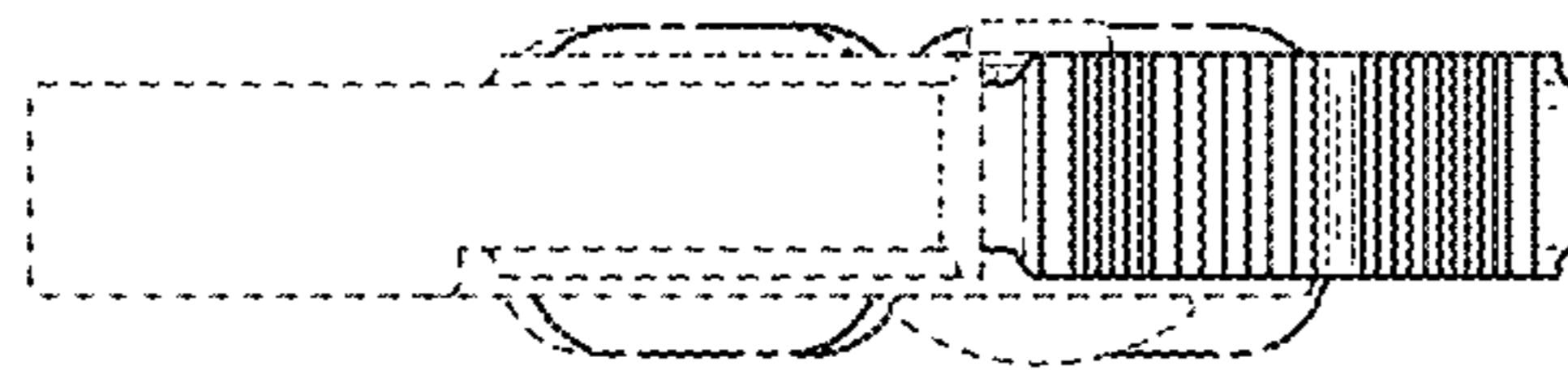


FIG. 6