



US00D801769S

(12) **United States Design Patent**
Chou

(10) **Patent No.:** **US D801,769 S**
(45) **Date of Patent:** **** Nov. 7, 2017**

(54) **SOCKET**

(71) Applicant: **POWAGRIP INDUSTRIAL CO., LTD.**, Taichung (TW)

(72) Inventor: **Chin-Ying Chou**, Taichung (TW)

(73) Assignee: **Powagrip Industrial Co., Ltd.**, Taichung (TW)

(**) Term: **15 Years**

(21) Appl. No.: **29/581,874**

(22) Filed: **Oct. 24, 2016**

(51) **LOC (10) Cl.** **08-05**

(52) **U.S. Cl.**
USPC **D8/29**

(58) **Field of Classification Search**
USPC D8/29; 81/60, 177.1, 177.85, 121.1,
81/124.3, 165-170, 110.1, 176.2, 124.6,
81/176.1, 176.15, 177.2; 16/110.1
CPC B25B 13/06
See application file for complete search history.

(56) **References Cited**

U.S. PATENT DOCUMENTS

D550,050 S * 9/2007 Peng D8/29
D611,789 S * 3/2010 Taylor, Jr. D8/29

D628,868 S * 12/2010 Laurie D8/29
D670,145 S * 11/2012 Laurie D8/29
9,038,506 B1 * 5/2015 Huang B25B 13/462
81/60
9,144,893 B2 * 9/2015 Su B25B 13/06

* cited by examiner

Primary Examiner — Randall Gholson

(74) *Attorney, Agent, or Firm* — Rosenberg, Klein & Lee

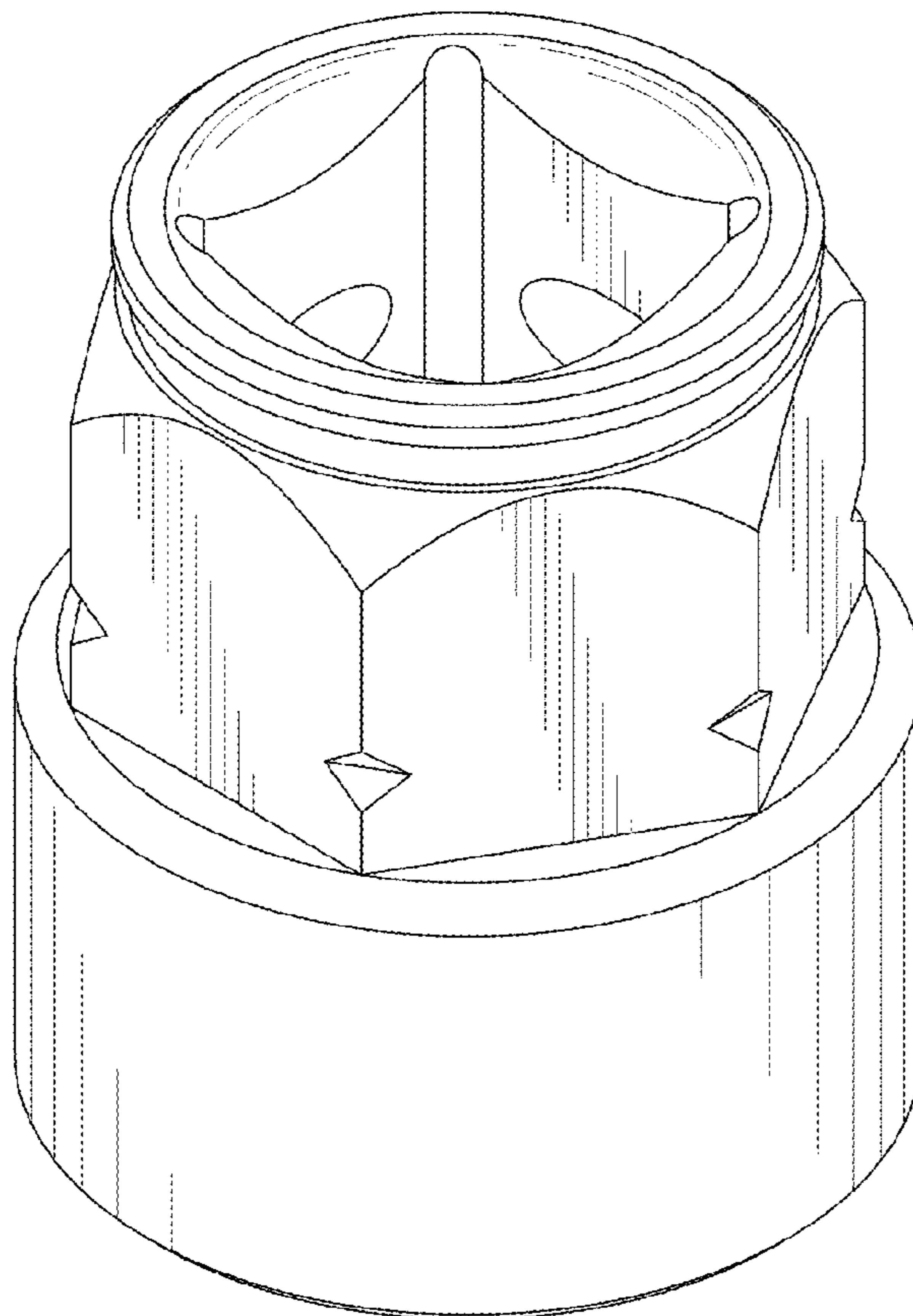
(57) **CLAIM**

The ornamental design for a socket, as shown and described.

DESCRIPTION

FIG. 1 is a front-right-top perspective view of the socket showing my new design;
FIG. 2 is a front elevational view thereof;
FIG. 3 is a rear front elevational view thereof;
FIG. 4 is a left side elevational view thereof;
FIG. 5 is a right side elevational view thereof;
FIG. 6 is a top plan view thereof;
FIG. 7 is a bottom plan view thereof; and,
FIG. 8 is a front-right-bottom perspective view thereof.

1 Claim, 7 Drawing Sheets



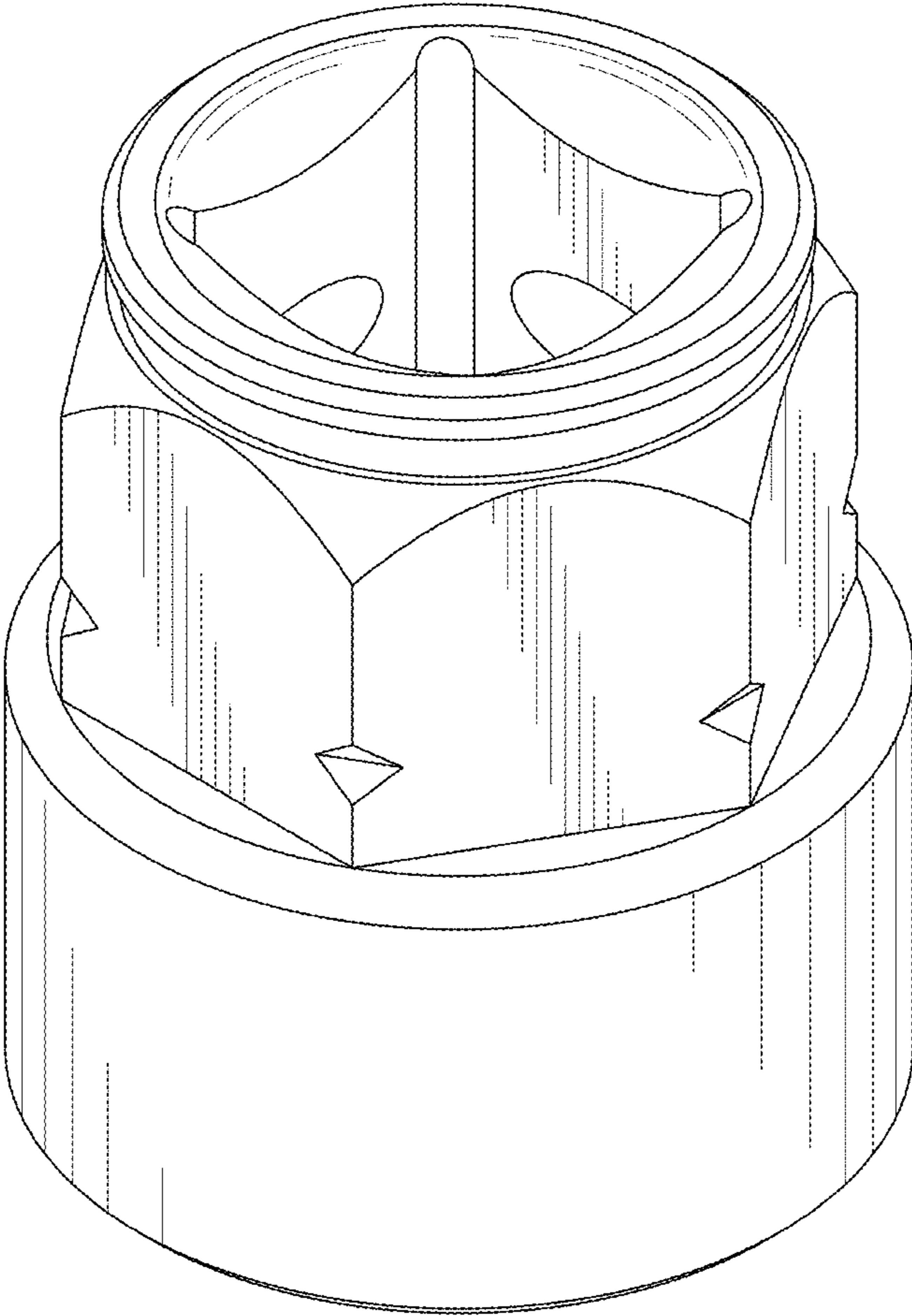


FIG.1

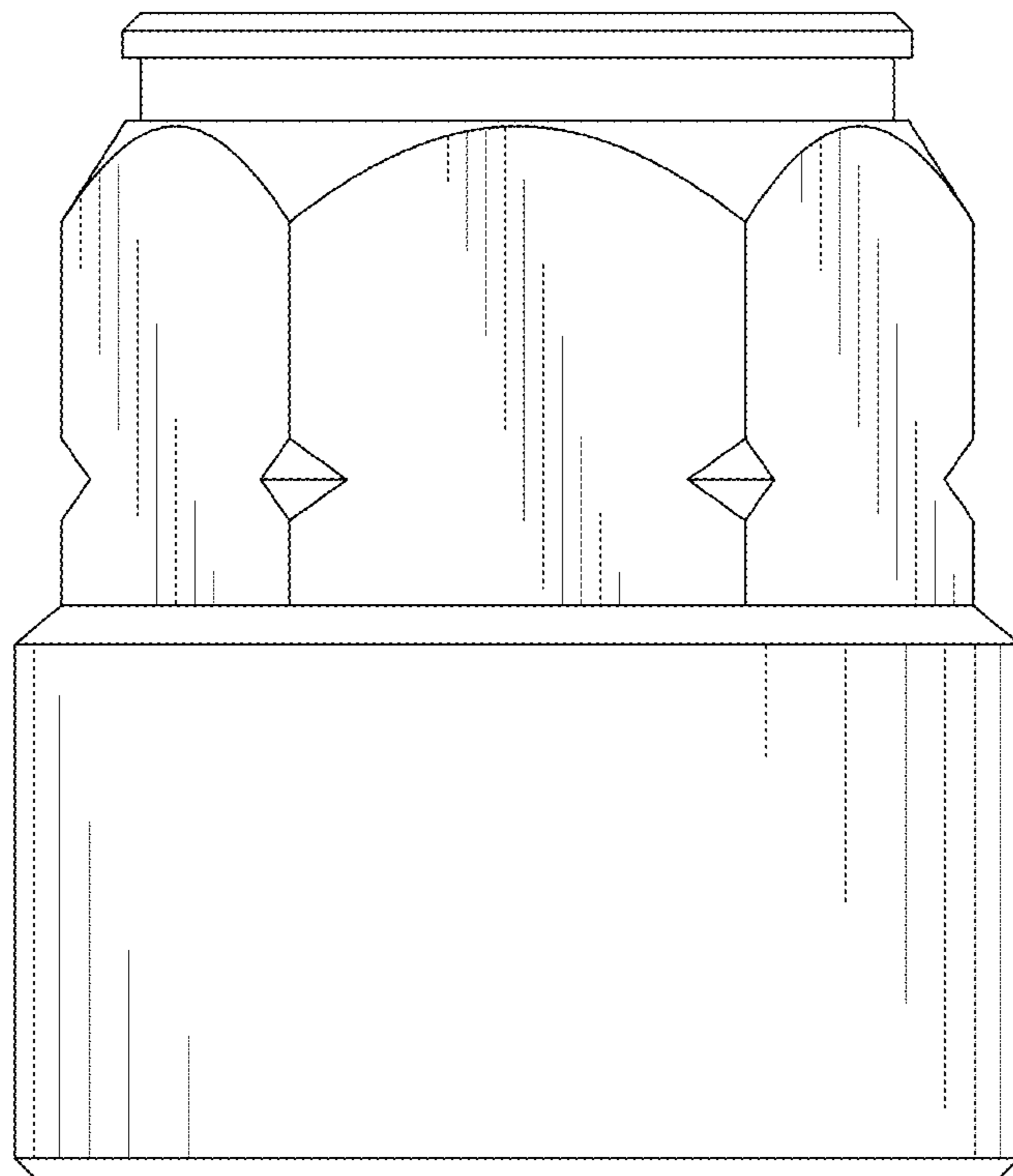


FIG.2

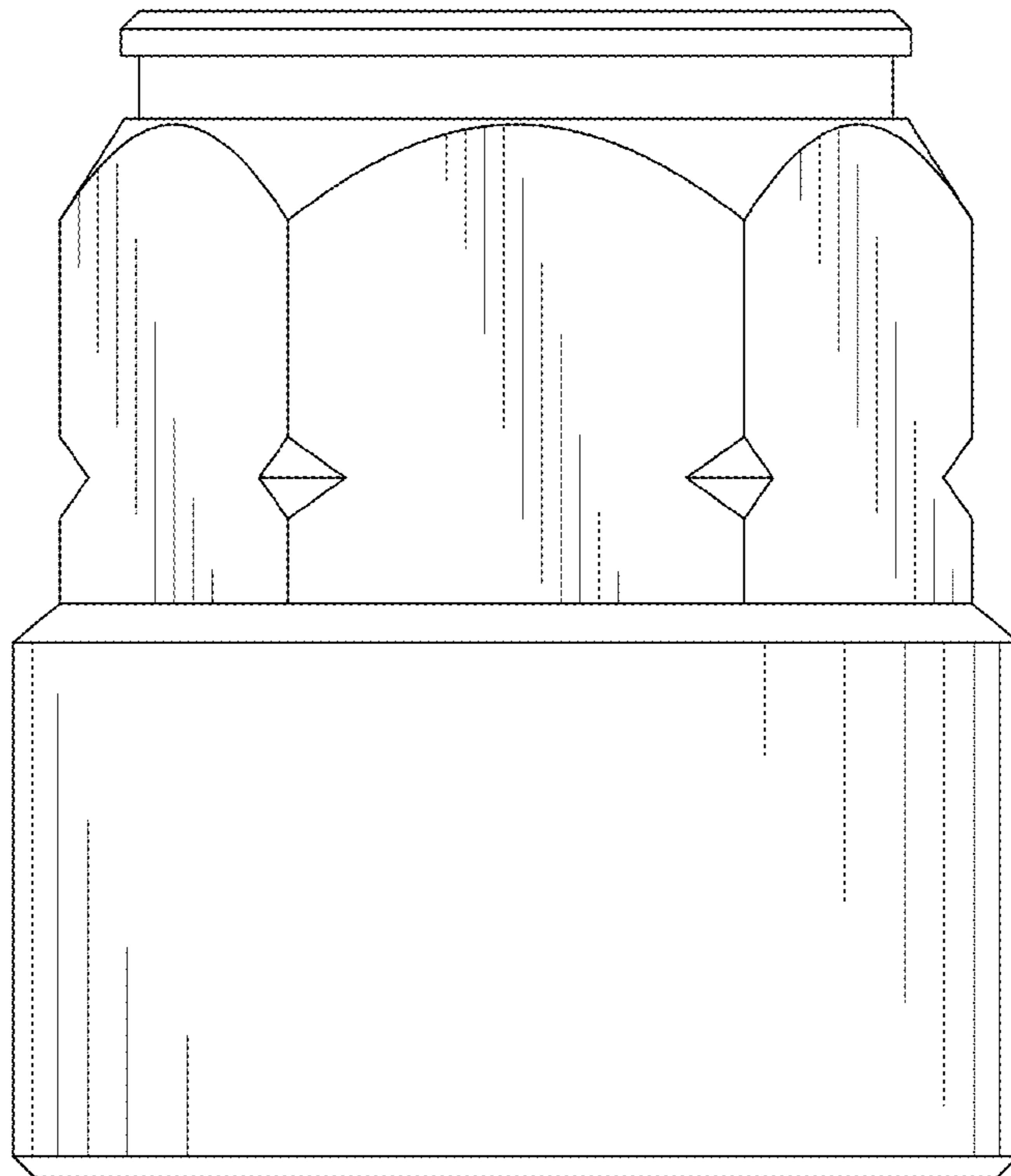


FIG.3

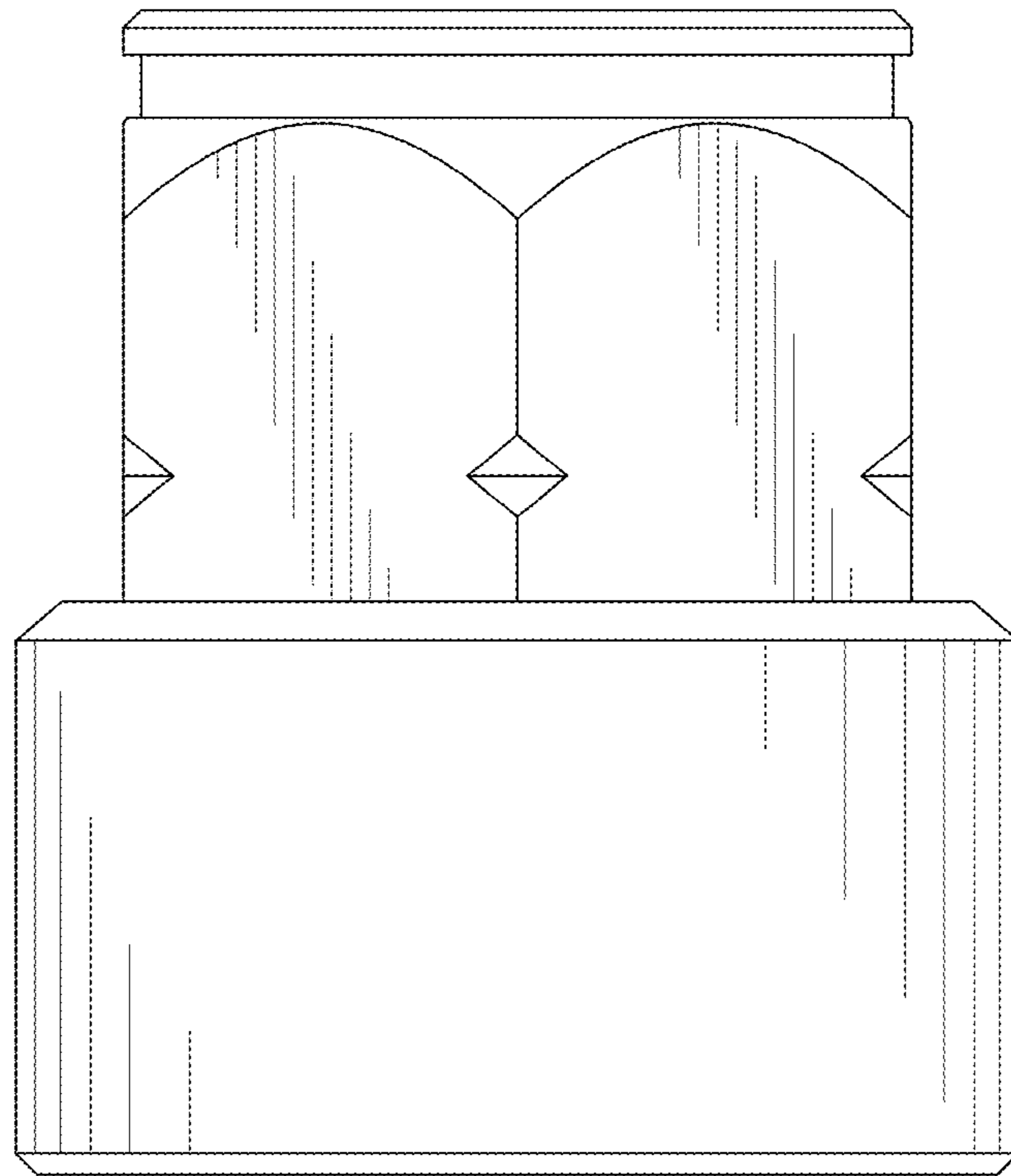


FIG.4

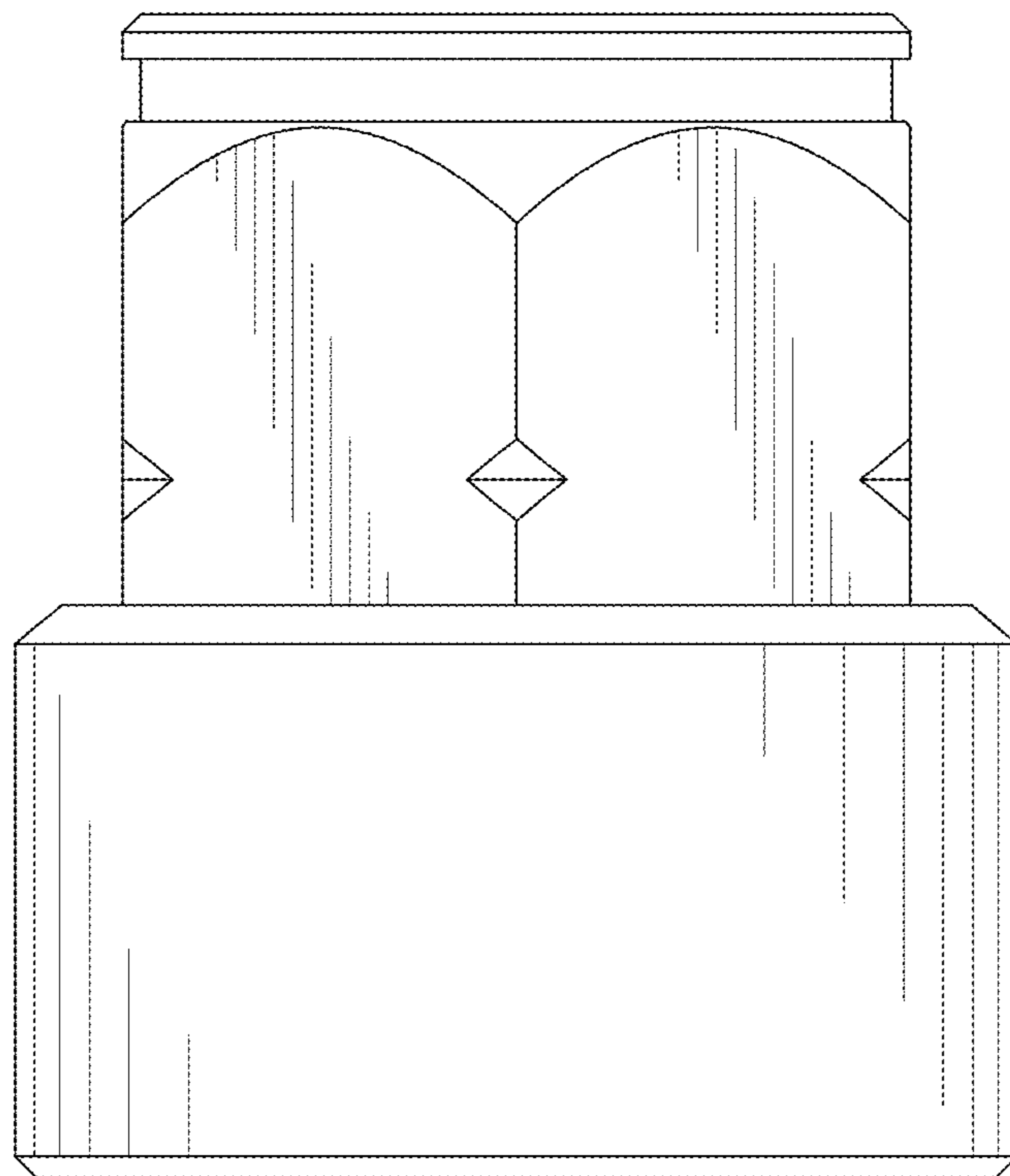


FIG.5

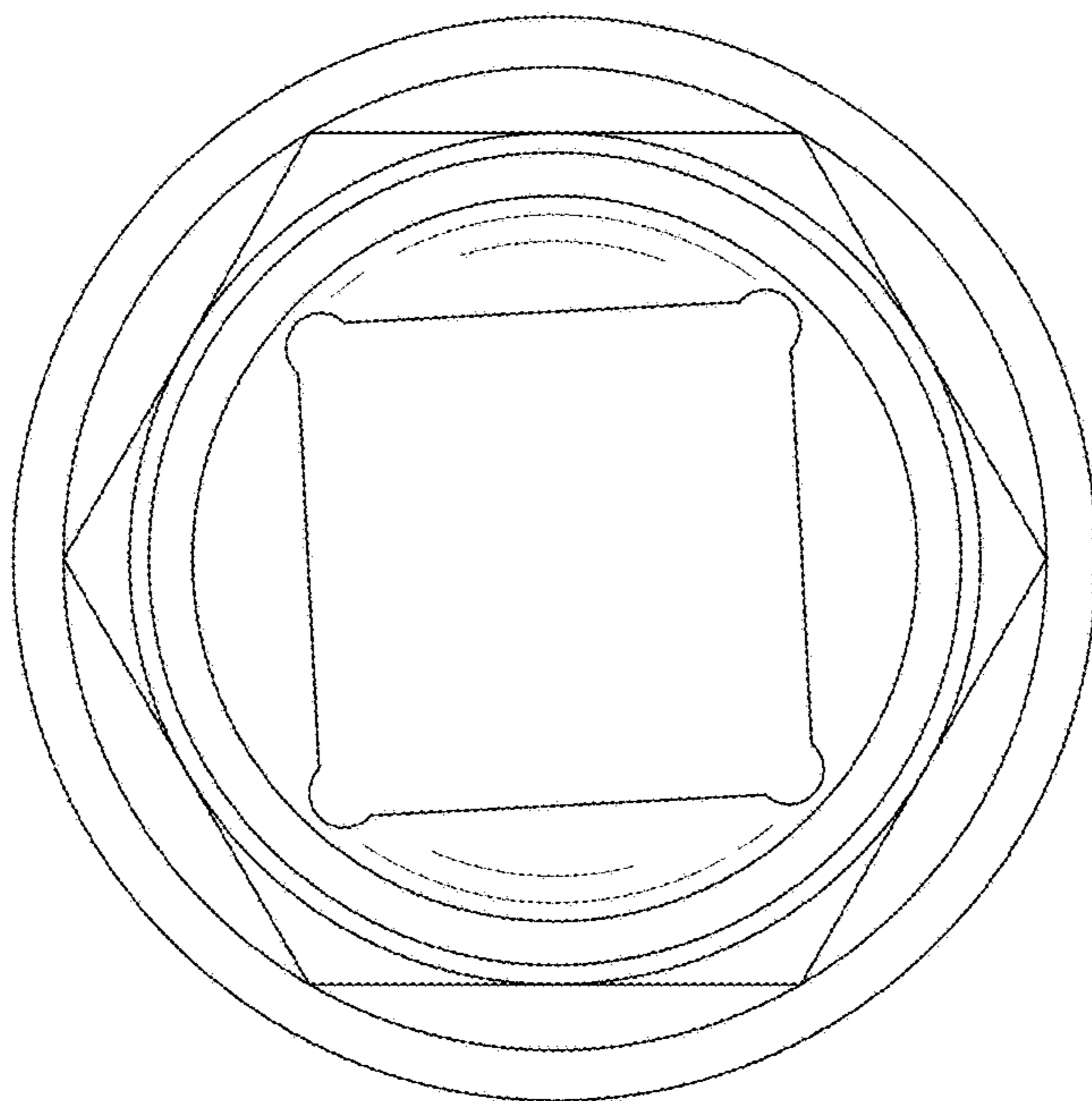


FIG. 6

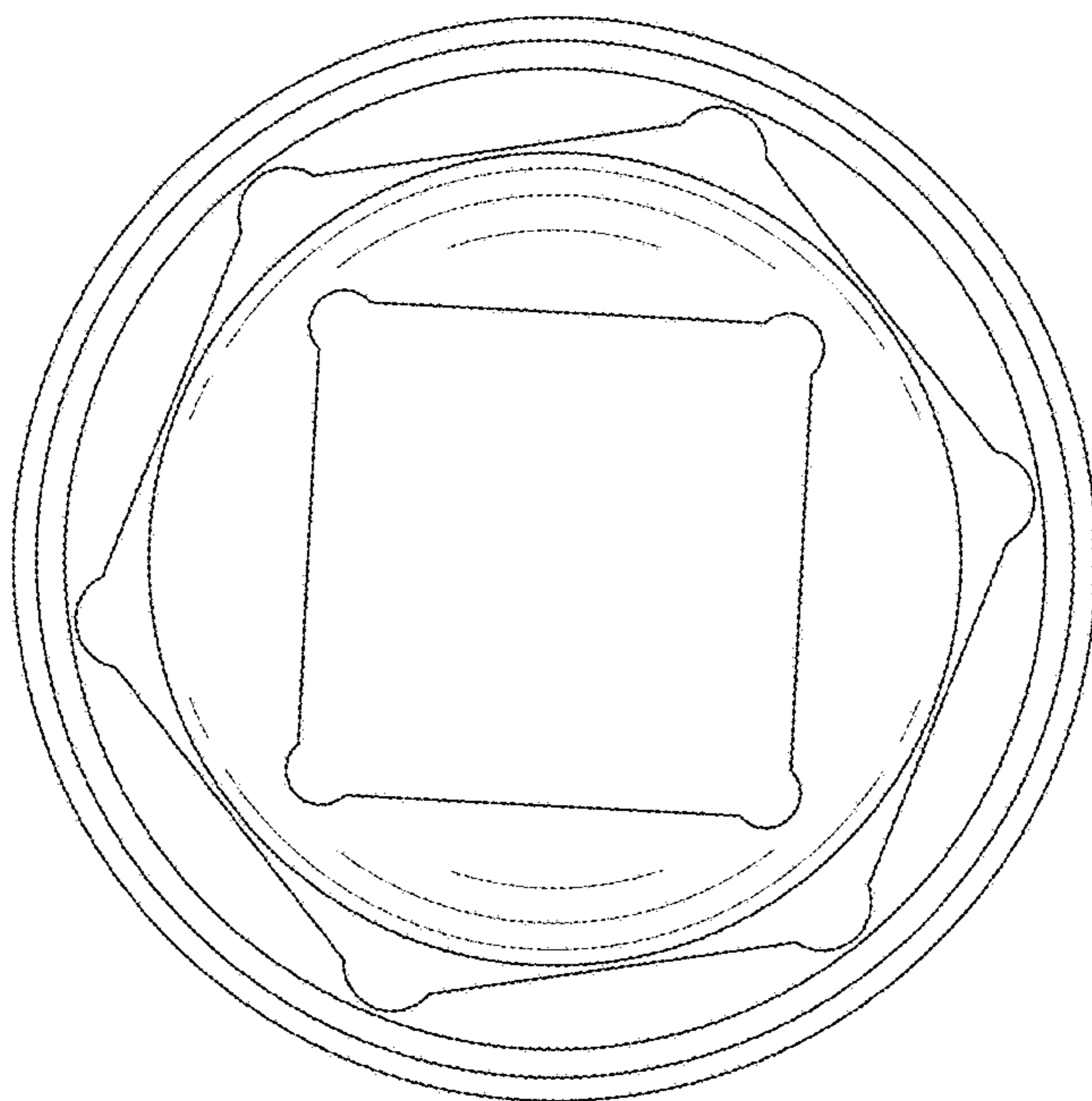


FIG. 7

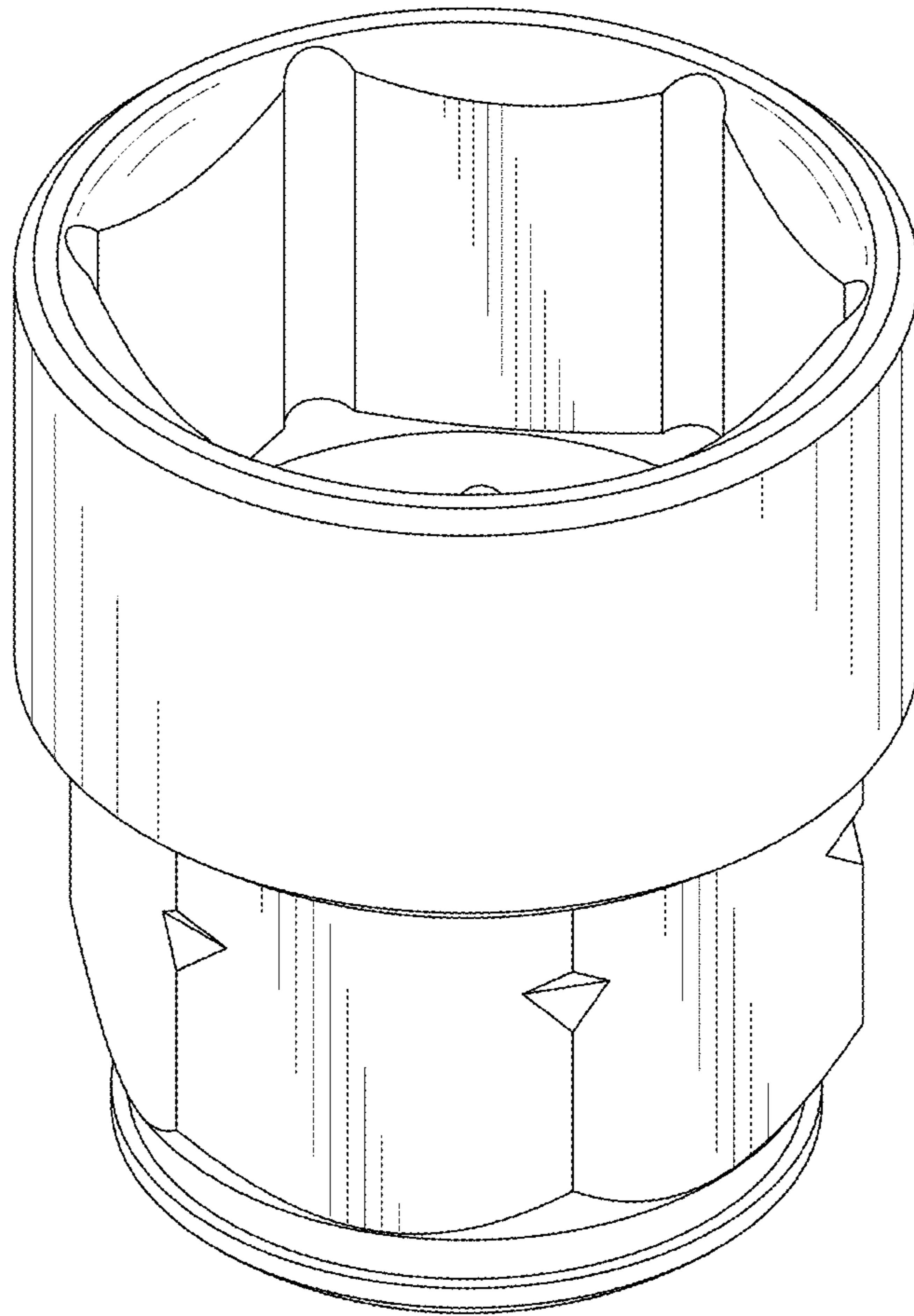


FIG.8