



US00D801766S

(12) **United States Design Patent**
Gibson

(10) **Patent No.:** **US D801,766 S**

(45) **Date of Patent:** **** Nov. 7, 2017**

(54) **PUSH RAKE**

4,009,560 A * 3/1977 Wells A01D 7/00
56/16.7

(71) Applicant: **Larry Ralph Gibson**, Easley, SC (US)

(Continued)

(72) Inventor: **Larry Ralph Gibson**, Easley, SC (US)

Primary Examiner — Sheryl Lane

(74) *Attorney, Agent, or Firm* — Dority & Manning, P.A.

(**) Term: **15 Years**

(57) **CLAIM**

The ornamental design for push rake, as shown and described.

(21) Appl. No.: **29/577,414**

DESCRIPTION

(22) Filed: **Sep. 13, 2016**

(51) **LOC (10) Cl.** **08-01**

(52) **U.S. Cl.**
USPC **D8/13**

(58) **Field of Classification Search**

USPC D8/1, 10, 13; D15/11

CPC A01D 7/00; A01D 11/06; A01D 76/003;

A01D 76/00; A01D 76/006; A01D

85/001; A01B 27/00

See application file for complete search history.

FIG. 1 is a perspective view of the push rake according to the present design;

FIG. 2 is a first, left end view of the push rake illustrated in FIG. 1 showing the push rake according to the present design;

FIG. 3 is a second, right end view of the push rake illustrated in FIG. 1 showing the push rake according to the present design;

FIG. 4 is a top side view of the push rake illustrated in FIG. 1 showing the push rake according to the present design;

FIG. 5 is a bottom side view of the push rake illustrated in FIG. 1 showing the push rake according to the present design;

FIG. 6 is a front side view of the push rake illustrated in FIG. 1 showing the push rake according to the present design;

FIG. 7 is a back side view of the push rake illustrated in FIG. 1 showing the push rake according to the present design; and,

FIG. 8 is an isolated, front side view of a rear row of rake tines according to the present design obscured from view in FIG. 6 by a front row of rake tines depicted in dotted lines as an environmental element.

The broken lines represent portions of the push rake and form no part of the claimed design.

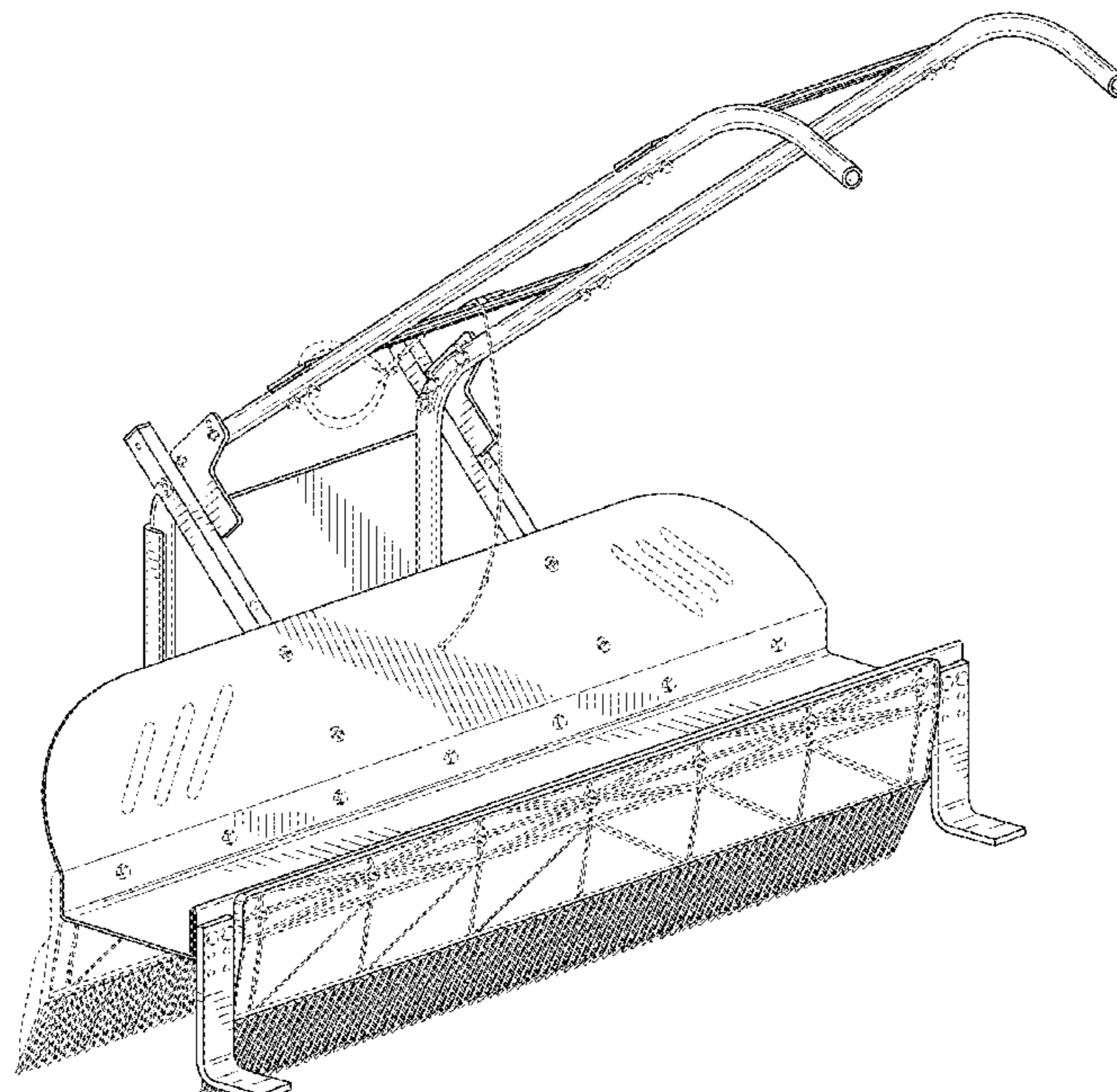
The claimed design comprises the elements shown in solid lines. The other features shown in dotted lines form no part of the claimed design.

(56) **References Cited**

U.S. PATENT DOCUMENTS

788,667 A *	5/1905	McCann	A01D 7/10 172/136
1,763,473 A *	6/1930	Mehl	A01D 7/00 56/328.1
2,329,708 A *	9/1943	Fetterman	A01D 76/006 56/400.13
2,647,356 A *	8/1953	Adams	A01D 85/001 180/19.1
2,879,852 A *	3/1959	Ellerman	A01B 31/00 172/355
3,789,590 A *	2/1974	Wilson	A01D 76/003 15/79.2
3,952,490 A *	4/1976	Brockman	A01D 76/003 172/354

1 Claim, 8 Drawing Sheets



(56)

References Cited

U.S. PATENT DOCUMENTS

4,322,936 A * 4/1982 Whitney A01D 7/10
56/16.1
4,516,393 A * 5/1985 Lambert A01D 7/00
56/400.17
4,821,500 A * 4/1989 MacIvergan A01D 7/10
56/400.01
D353,980 S * 1/1995 Johnson D8/13
D375,664 S * 11/1996 Zimmer D8/13
D484,373 S * 12/2003 Ross D8/13
D720,971 S * 1/2015 Hua D8/10

* cited by examiner

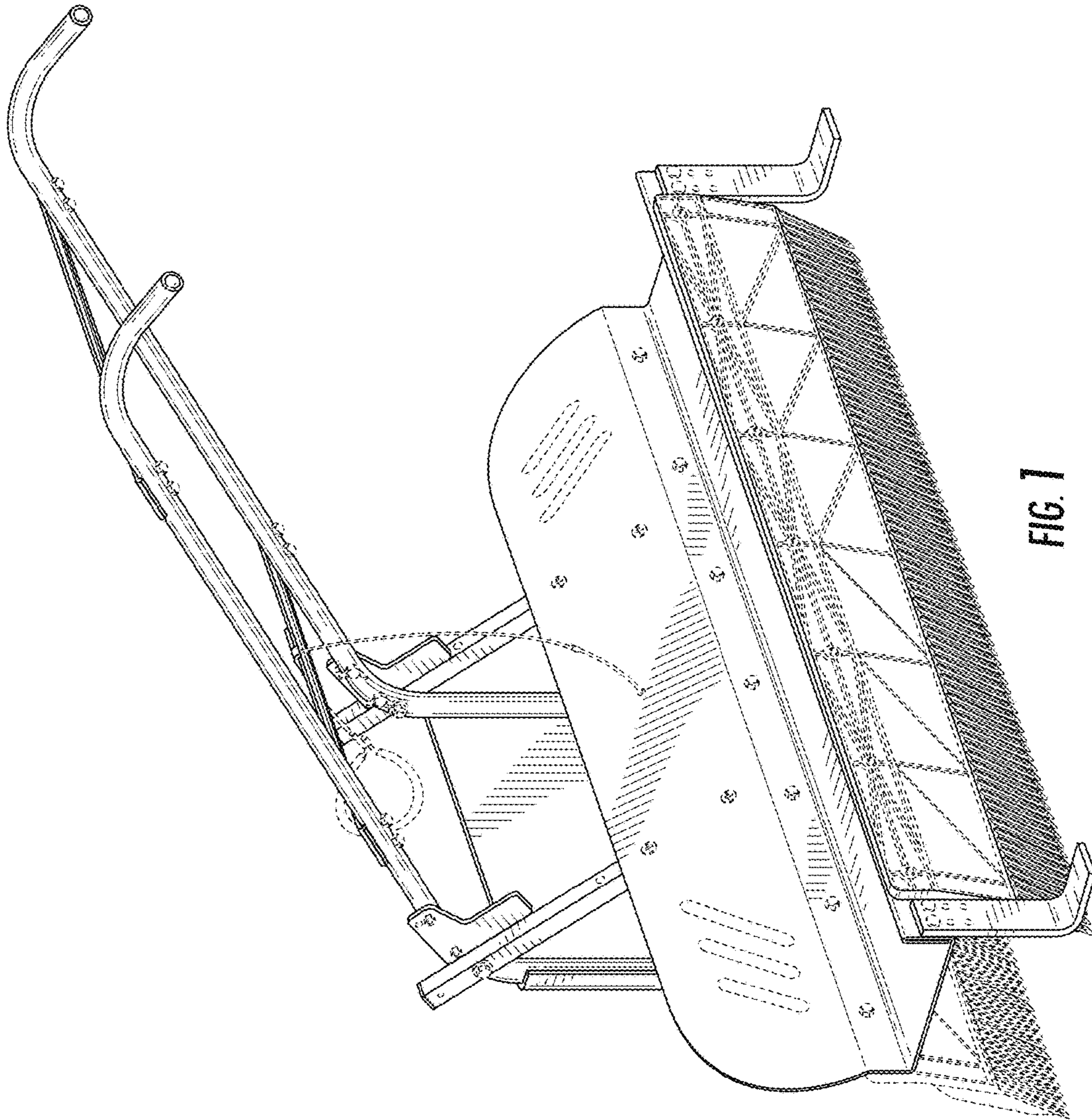


FIG. 1

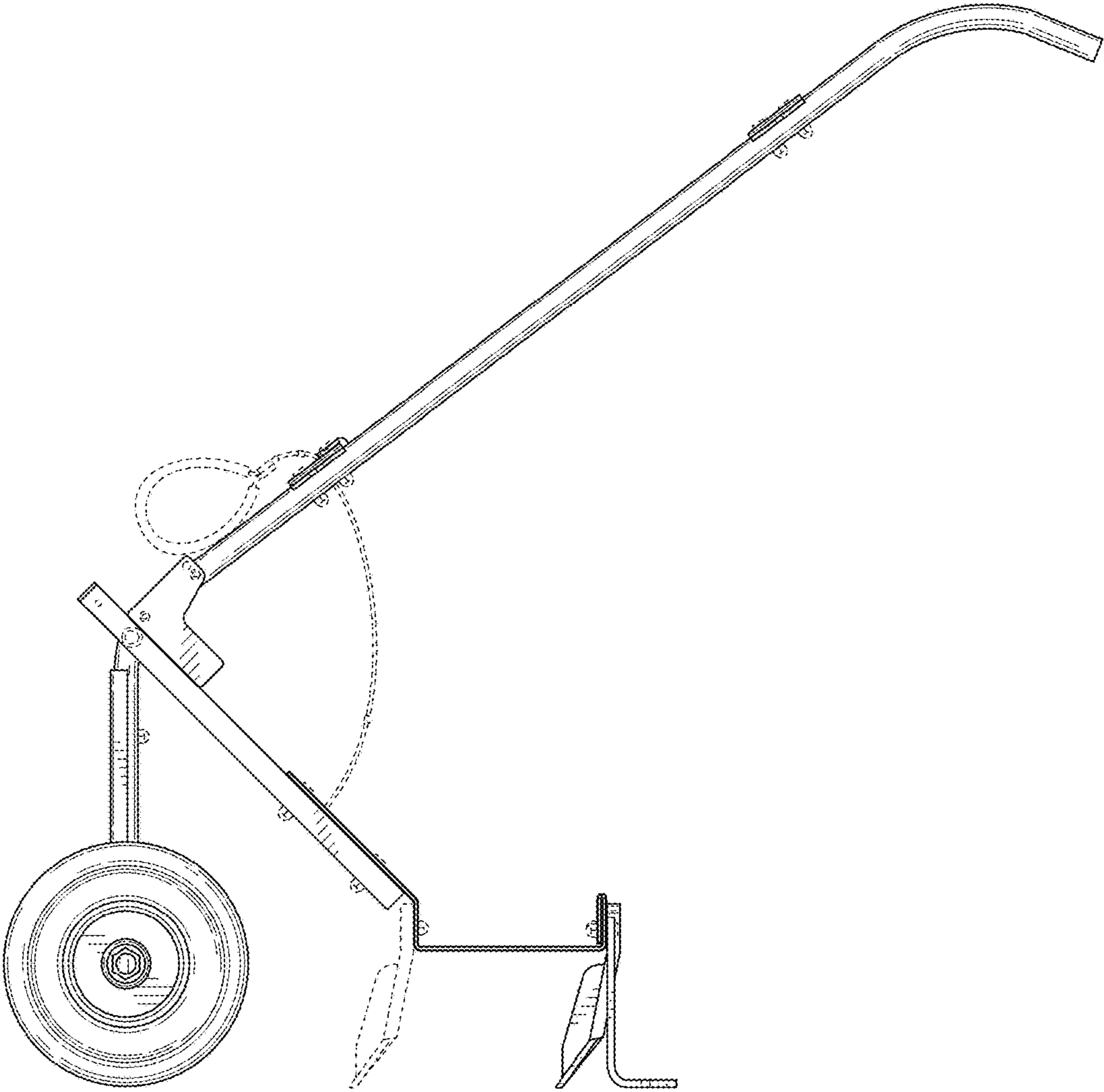


FIG. 2

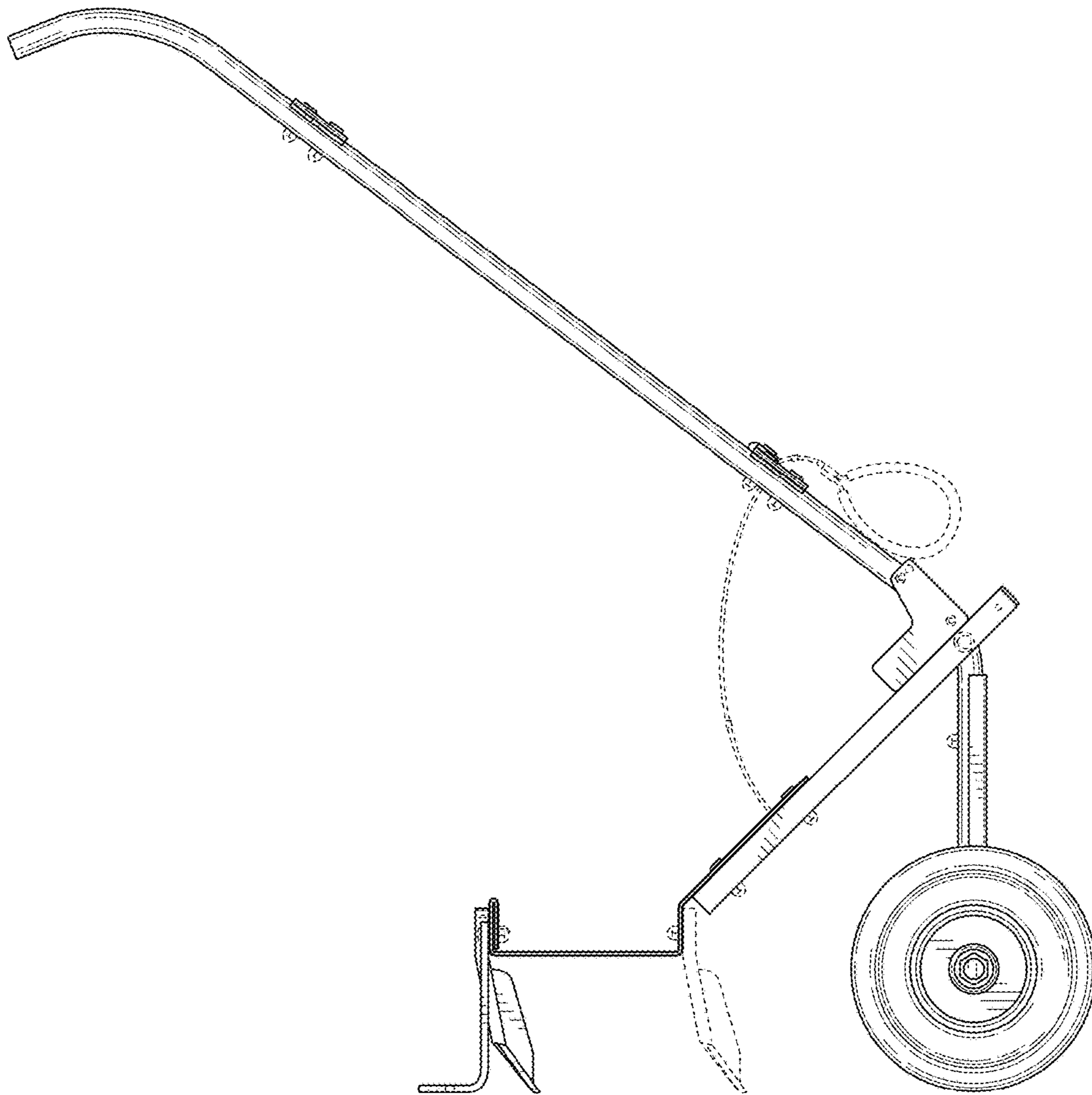


FIG. 3

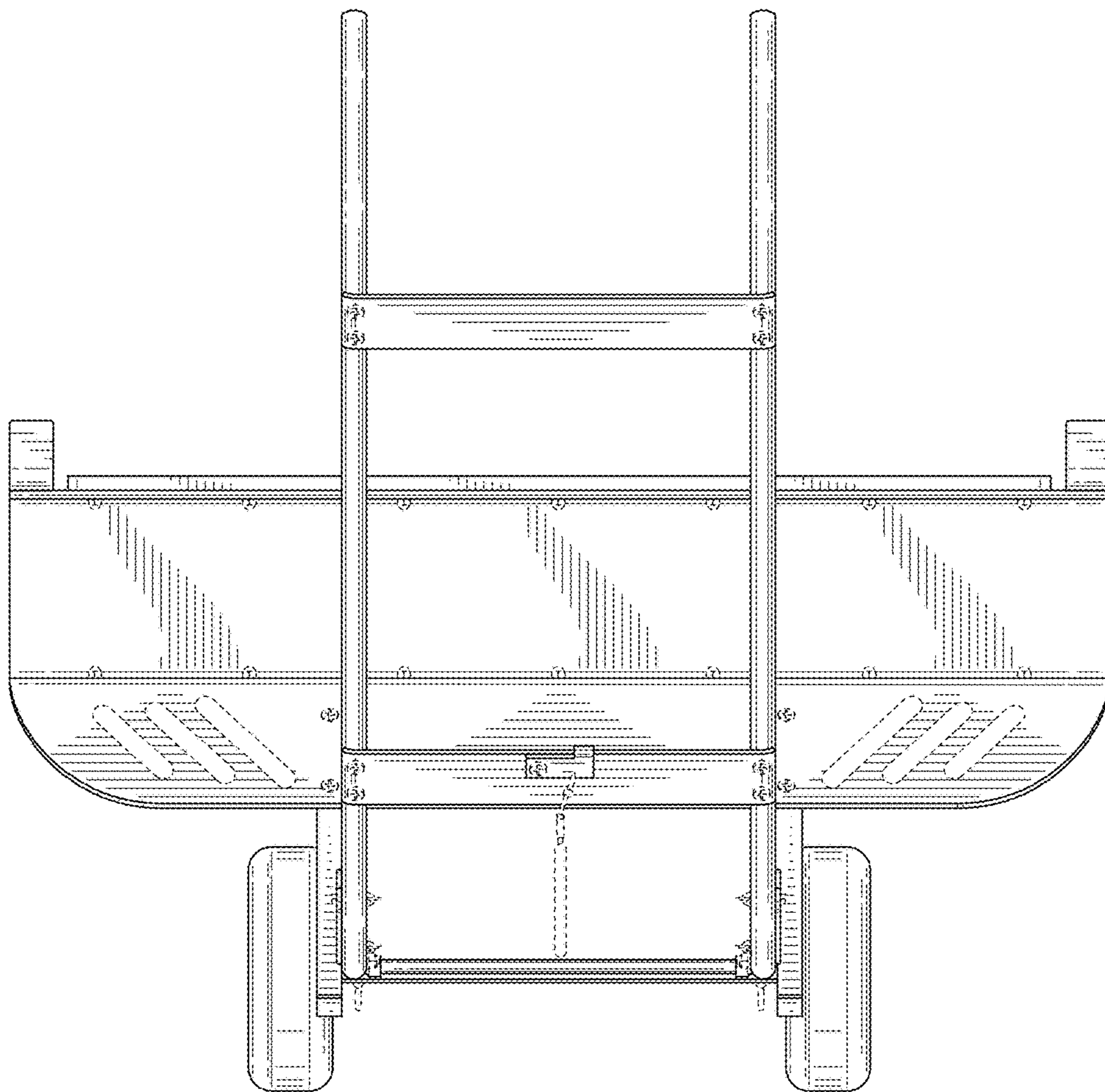


FIG. 4

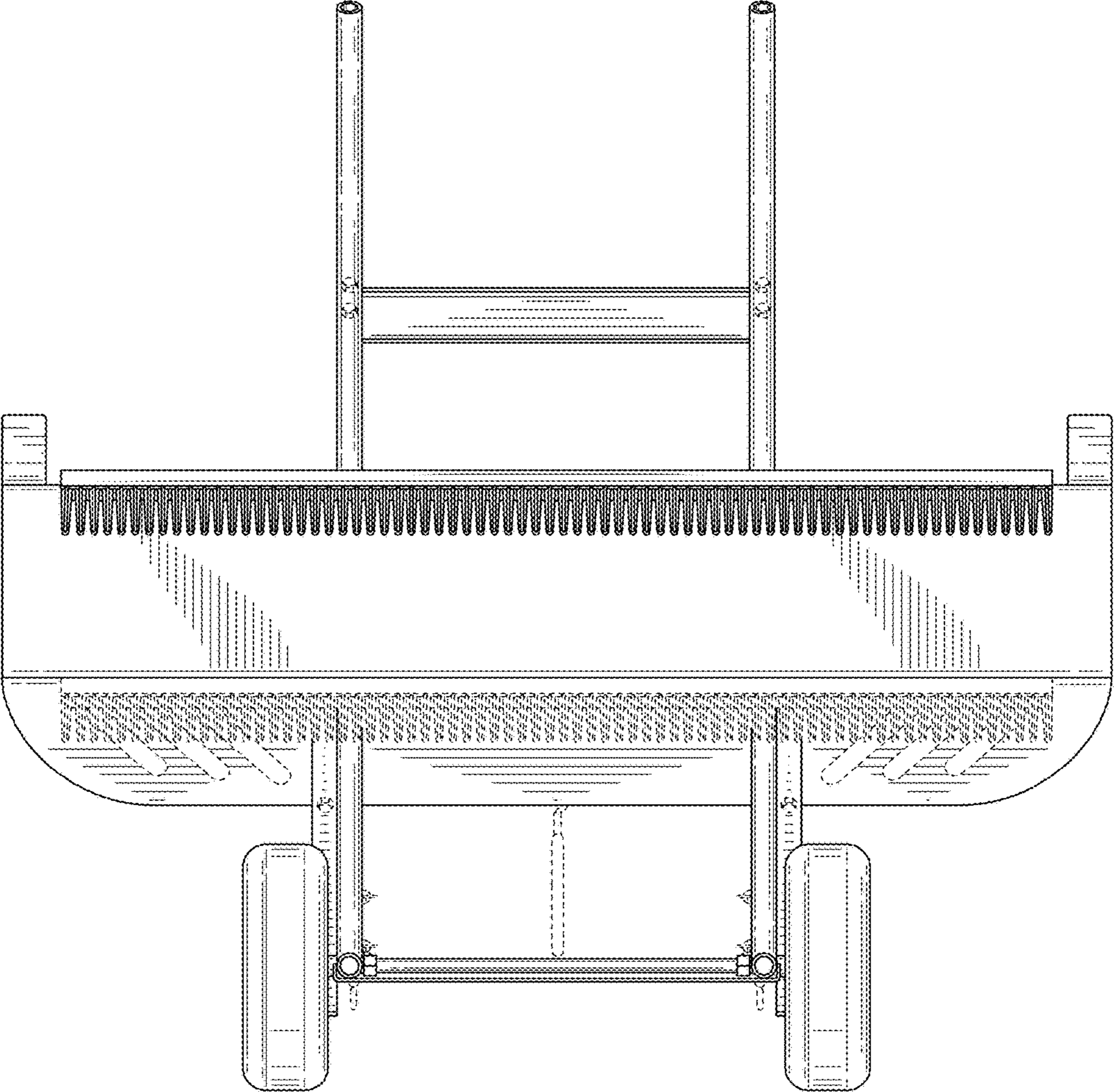


FIG. 5

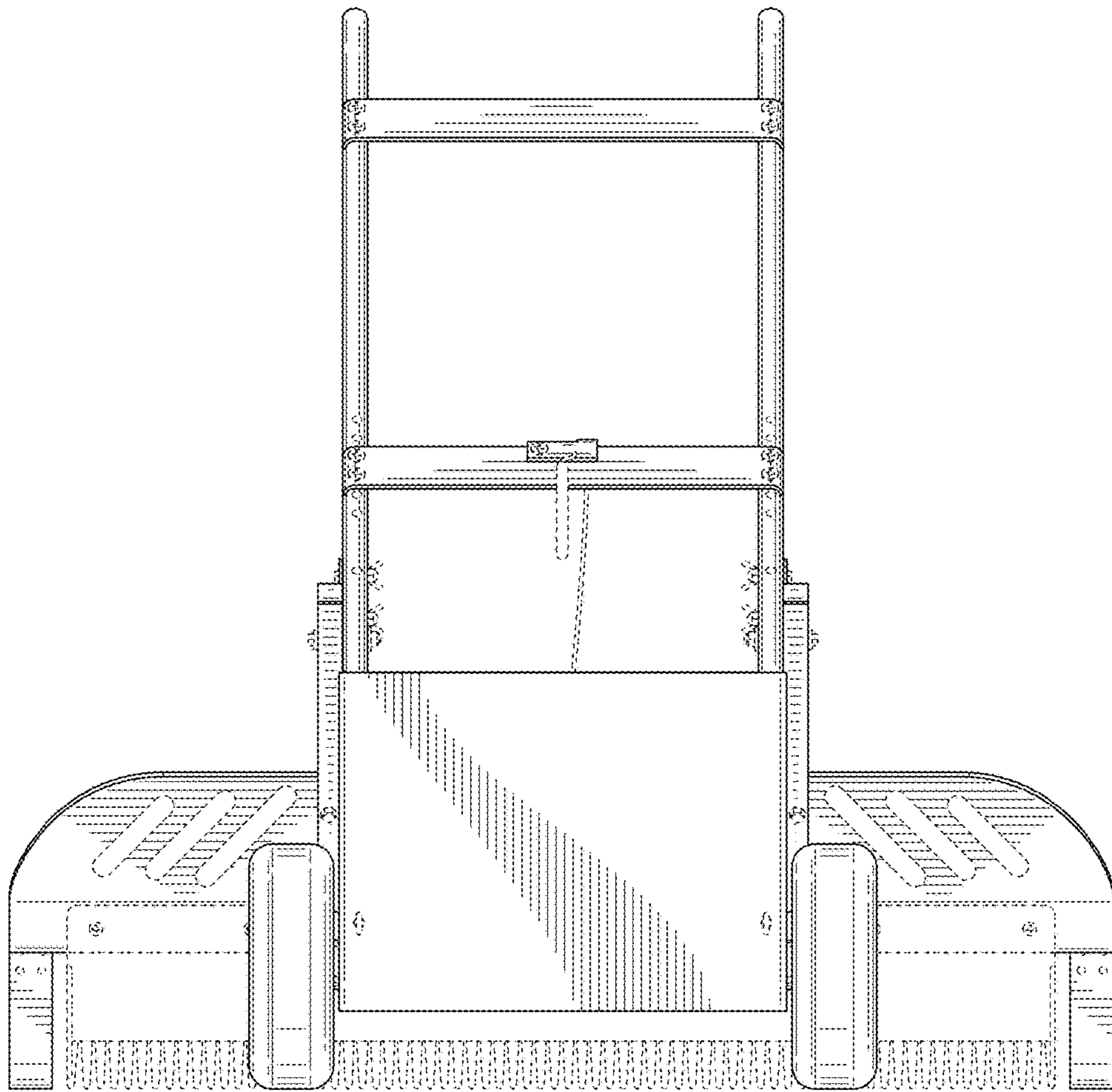


FIG. 6

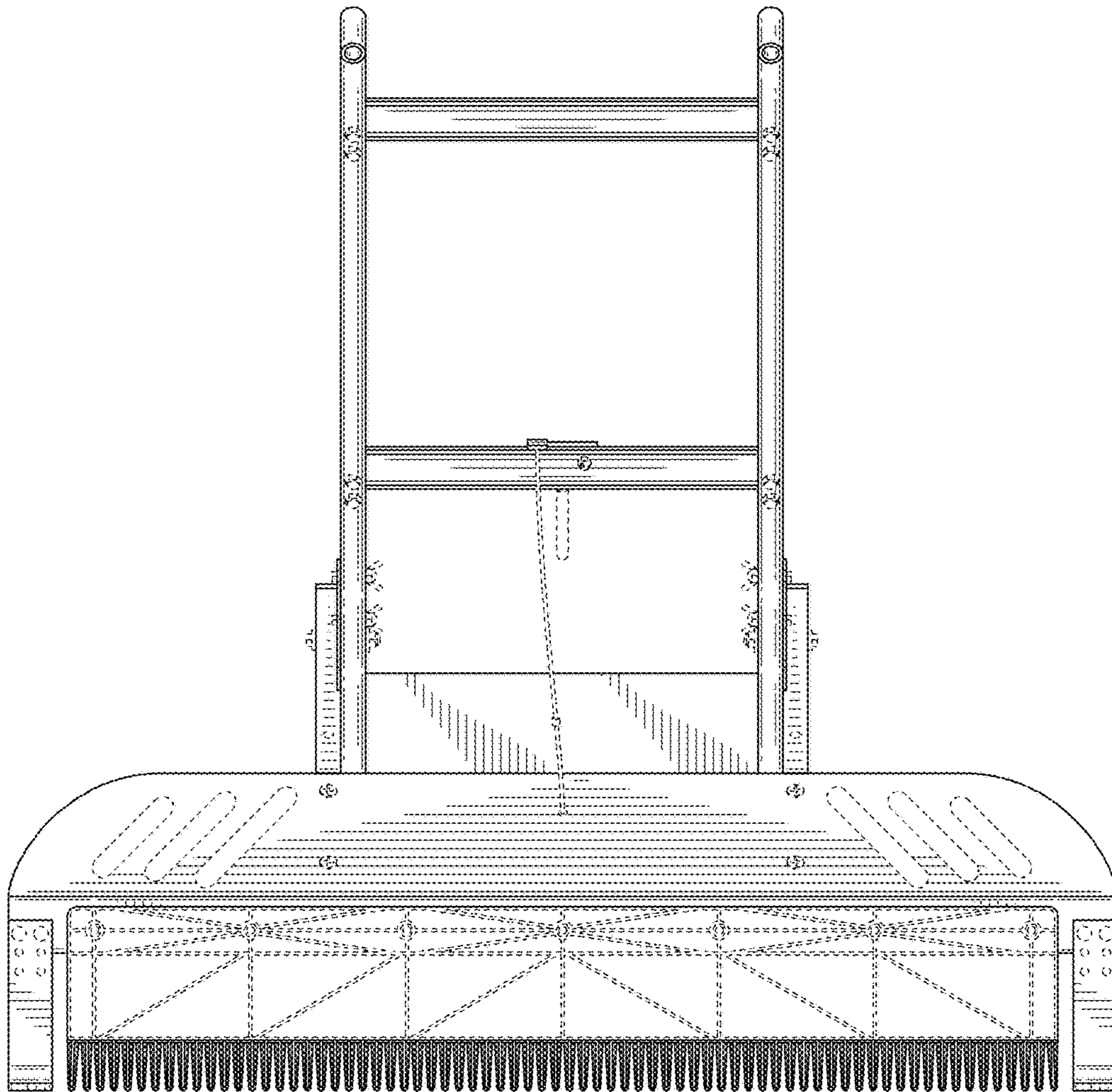


FIG. 7

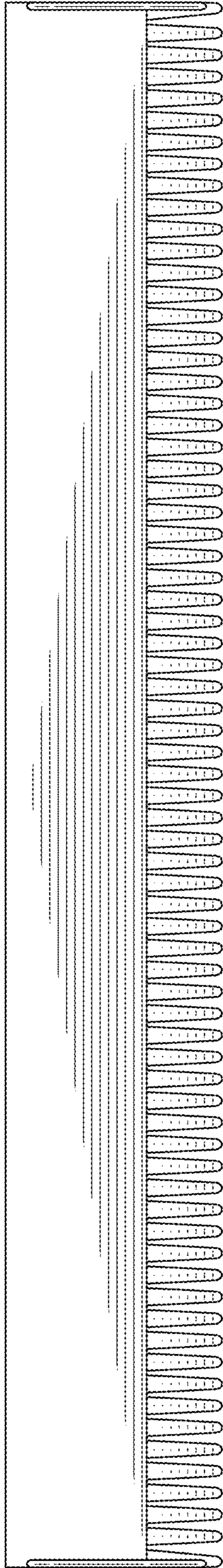


FIG. 8