



US00D801765S

(12) **United States Design Patent**  
**Gibson**

(10) **Patent No.:** **US D801,765 S**

(45) **Date of Patent:** **\*\* Nov. 7, 2017**

(54) **RAKE TINES**

2013/0247533 A1\* 9/2013 Zupan ..... A01D 11/06  
56/400.04

(71) Applicant: **Larry Ralph Gibson**, Easley, SC (US)

\* cited by examiner

(72) Inventor: **Larry Ralph Gibson**, Easley, SC (US)

*Primary Examiner* — Sheryl Lane

(\*\*) Term: **15 Years**

(74) *Attorney, Agent, or Firm* — Dority & Manning, P.A.

(21) Appl. No.: **29/577,410**

(57) **CLAIM**

The ornamental design for rake tines, as shown and described.

(22) Filed: **Sep. 13, 2016**

**DESCRIPTION**

(51) **LOC (10) Cl.** ..... **08-01**

FIG. 1 is a perspective view of the rake tines according to the present design;

(52) **U.S. Cl.**

FIG. 2 is a first, left end view of the rake tines illustrated in FIG. 1 showing the rake tines according to the present design;

USPC ..... **D8/13**

(58) **Field of Classification Search**

FIG. 3 is a second, right end view of the rake tines illustrated in FIG. 1 showing the rake tines according to the present design;

USPC ..... D8/1, 10, 13; D15/11

CPC ..... A01D 7/00; A01D 76/00; A01D 76/003;

A01D 76/006; A01D 85/001; A01D

11/06; A01B 27/00

See application file for complete search history.

FIG. 4 is a front side view of the rake tines illustrated in FIG. 1 showing the rake tines according to the present design;

(56) **References Cited**

FIG. 5 is a back side view of the rake tines illustrated in FIG. 1 showing the rake tines according to the present design;

**U.S. PATENT DOCUMENTS**

2,731,896 A \* 1/1956 Wurster ..... A01B 27/00  
172/448

FIG. 6 is a top view of the rake tines illustrated in FIG. 1 showing the rake tines according to the present design;

D232,907 S \* 9/1974 Yankee ..... D8/13

FIG. 7 is a bottom view of the rake tines illustrated in FIG. 1 showing the rake tines according to the present design;

D281,387 S \* 11/1985 Kolb ..... D8/13

and,

D375,883 S \* 11/1996 Fomby ..... D8/13

FIG. 8 is a close-up, perspective view of the back side of the rake tines illustrated in FIG. 1.

D439,119 S \* 3/2001 Colonello ..... D8/13

The claimed design comprises the elements shown in solid lines. The broken lines represent portions of the rake and form no part of the claimed design.

D506,368 S \* 6/2005 Niswonger ..... D8/13

The rake tines are shown with a symbolic break in its width. The appearance of any portion of the article between the break lines forms no part of the claimed design.

D599,633 S \* 9/2009 Renfro ..... D8/13

D617,350 S \* 6/2010 Cummings ..... D15/11

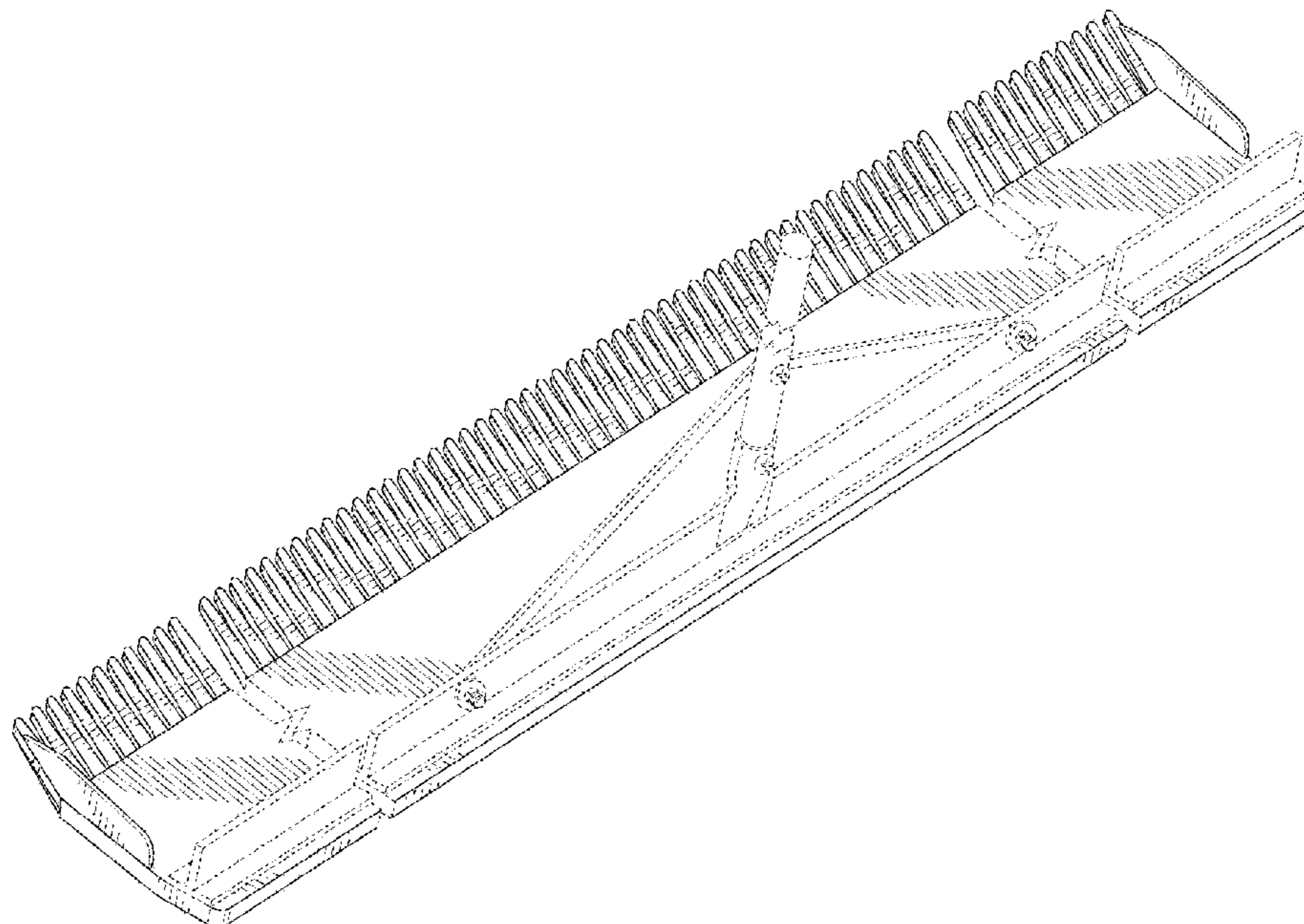
D640,103 S \* 6/2011 Paolini ..... D8/13

D731,258 S \* 6/2015 Bucks ..... D7/401.2

D740,068 S \* 10/2015 Bucks ..... D7/401.2

2004/0112036 A1 \* 6/2004 Savas ..... A01D 7/00  
56/400.1

**1 Claim, 7 Drawing Sheets**



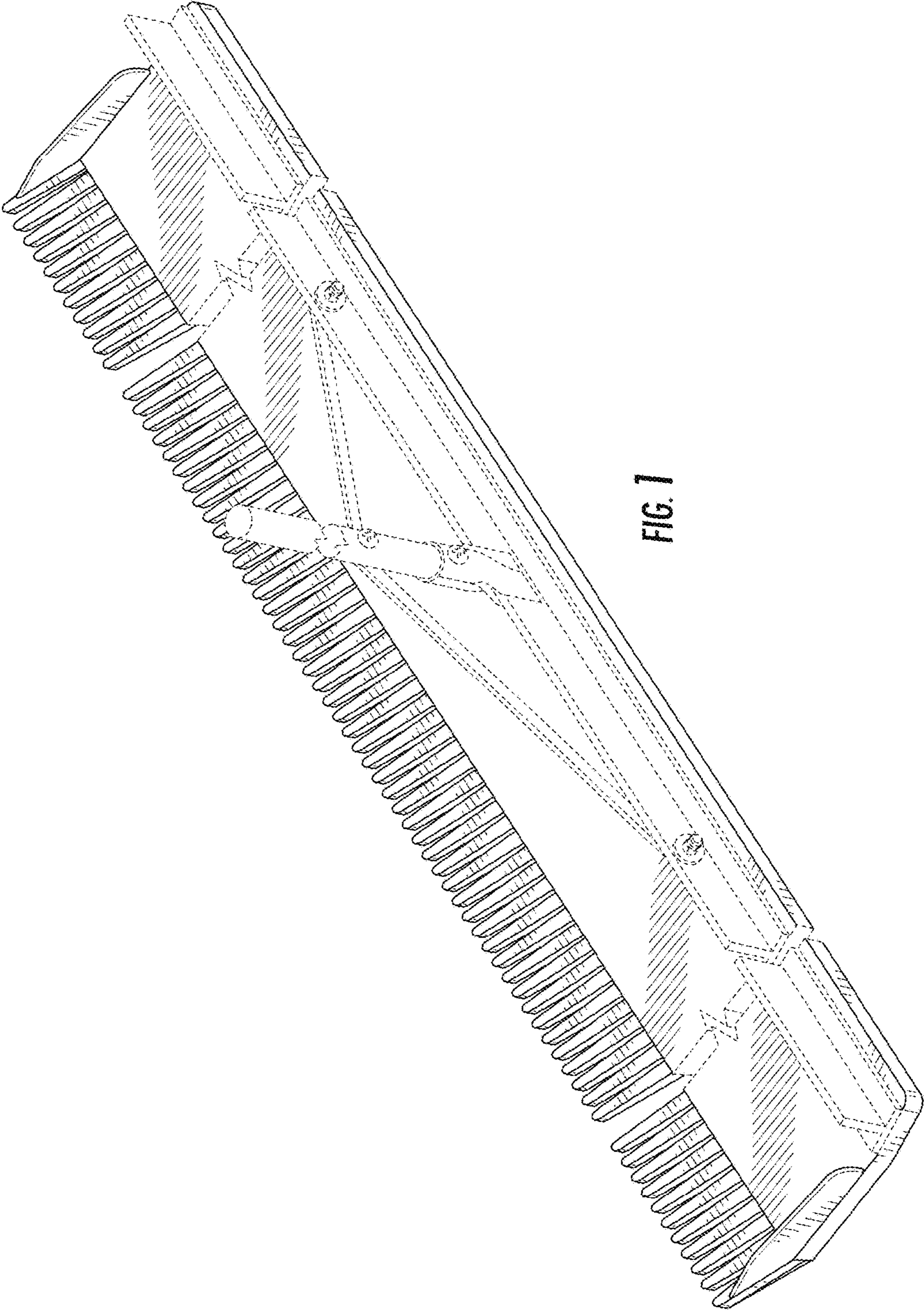


FIG. 1

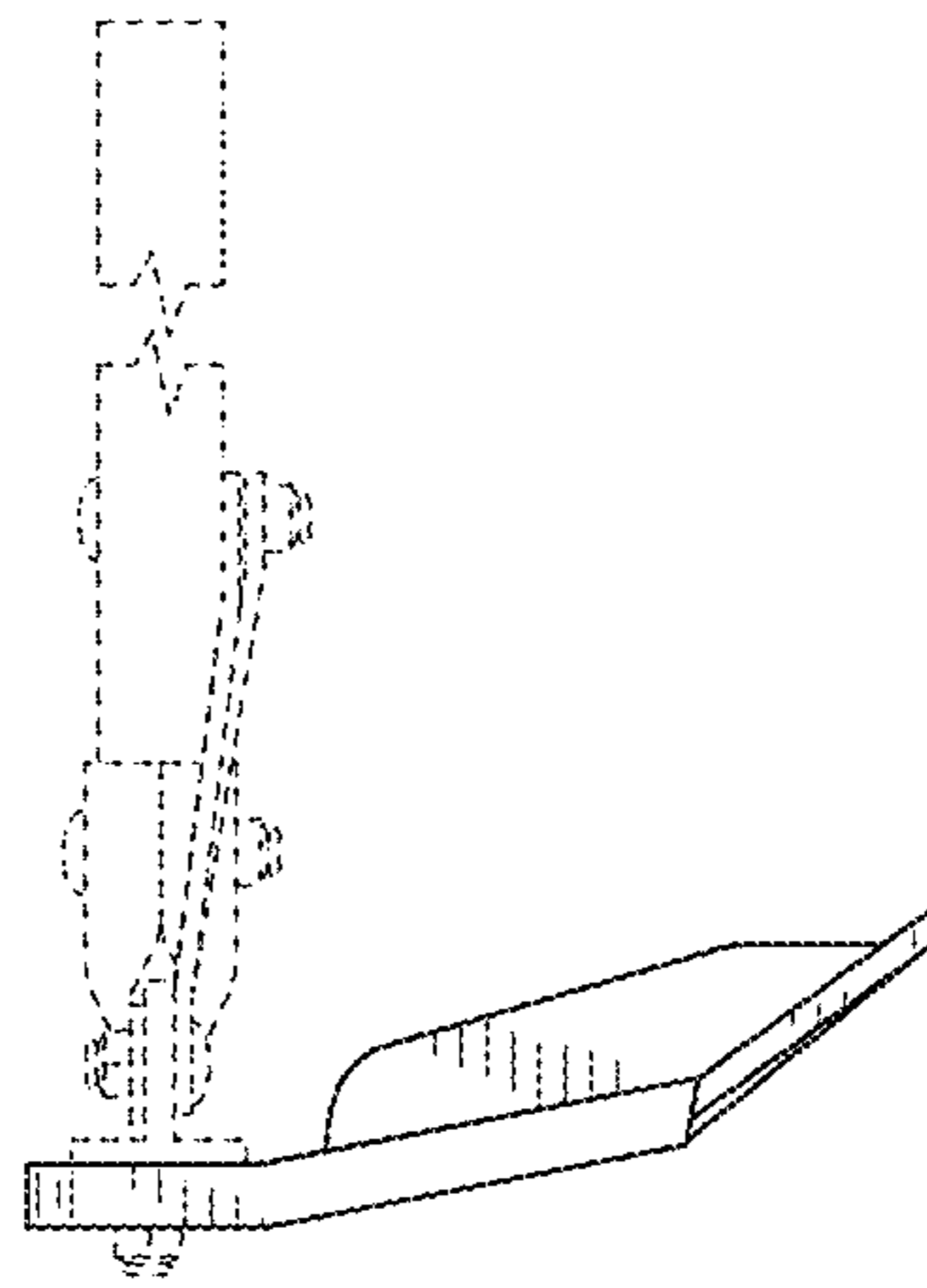


FIG. 2

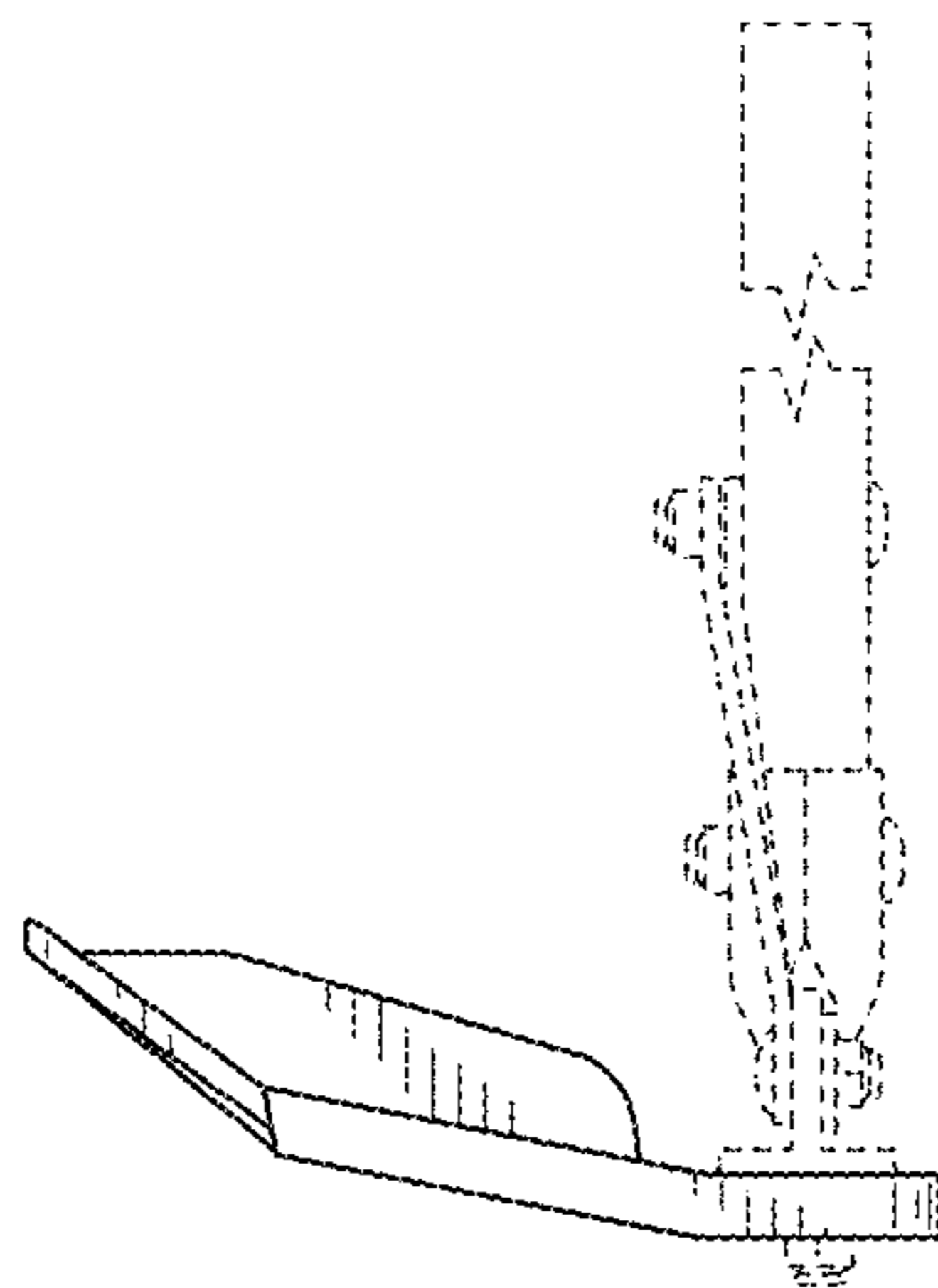


FIG. 3

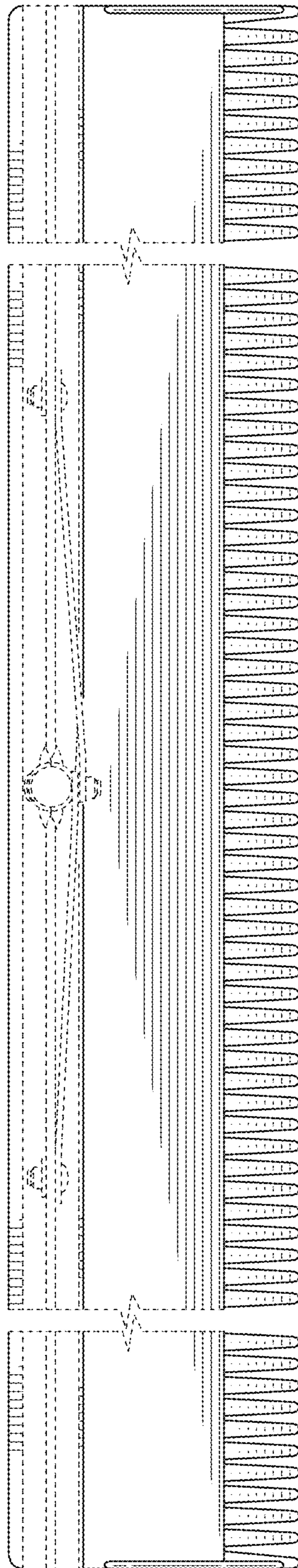


FIG. 4

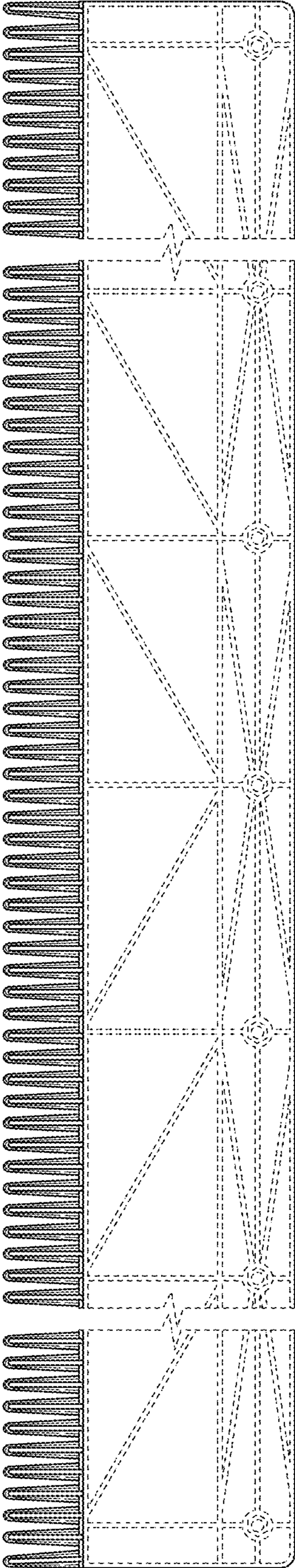


FIG. 5

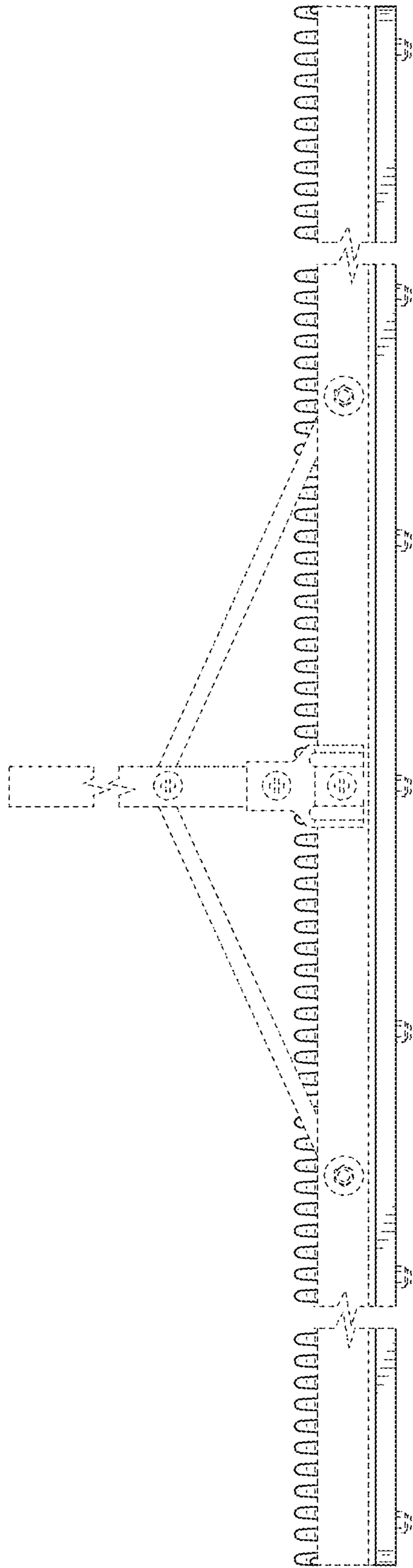


FIG. 6

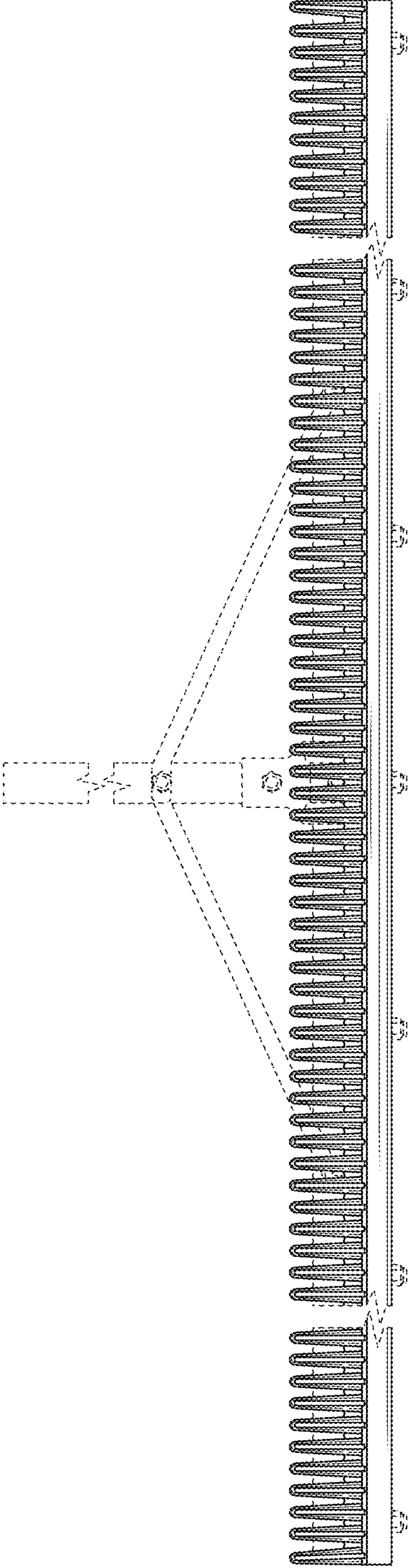


FIG. 7

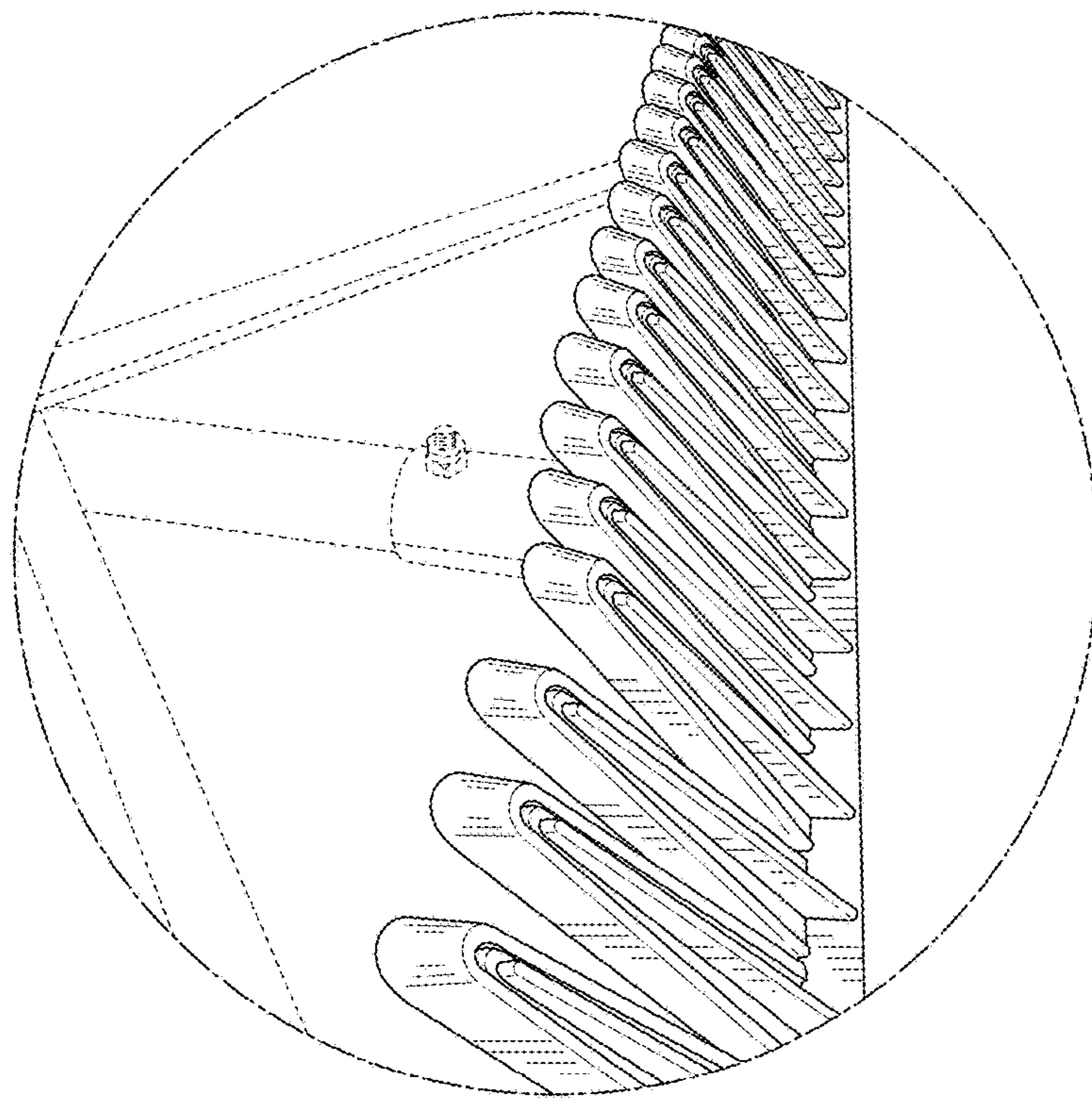


FIG. 8