



US00D801756S

(12) **United States Design Patent** (10) **Patent No.:** **US D801,756 S**  
**Zemel et al.** (45) **Date of Patent:** **\*\* Nov. 7, 2017**

(54) **SKEWER**  
(71) Applicant: **BLUE RHINO GLOBAL SOURCING, INC.**, Liberty, MO (US)  
(72) Inventors: **Marc Zemel**, Melville, NY (US);  
**Adam Schillen**, Dix Hills, NY (US)  
(73) Assignee: **BLUE RHINO GLOBAL SOURCING, INC.**, Liberty, MO (US)

4,063,496 A 12/1977 Kozikowski  
D256,083 S \* 7/1980 Ott ..... D7/692  
D296,407 S 6/1988 Pettit  
4,893,408 A \* 1/1990 Mattingly ..... A47J 17/02  
30/123.5  
D316,017 S \* 4/1991 Chung ..... D7/695  
D332,034 S \* 12/1992 Viemeister ..... D7/695  
D398,196 S \* 9/1998 Proshan ..... D7/688  
5,906,052 A 5/1999 Harmon

(Continued)

(\*\*) Term: **15 Years**  
(21) Appl. No.: **29/576,272**  
(22) Filed: **Sep. 1, 2016**  
(51) **LOC (10) Cl.** ..... **07-06**  
(52) **U.S. Cl.**  
USPC ..... **D7/683**  
(58) **Field of Classification Search**  
USPC ..... D7/371, 372, 376, 381, 393, 649, 650,  
D7/665, 666, 668, 669, 673, 678-680,  
D7/682, 688, 692-696  
CPC .. A47J 19/04; A47J 17/02; A47J 17/04; A47J  
43/00; A47J 43/25; A47J 43/255; B26D  
1/30; B26D 7/18  
See application file for complete search history.

**OTHER PUBLICATIONS**

Oxo Blog. Behind the Design: OXO's Iconic Good Grips Handles. Jan. 31, 2017 [earliest online date], [site visited Jun. 29, 2017]. Available from Internet, <URL:http://blog.oxo.com/behind-design-oxos-iconic-good-grips-handles/>.\*

(Continued)

*Primary Examiner* — Robert M. Spear  
*Assistant Examiner* — Darcey E Heflin  
(74) *Attorney, Agent, or Firm* — Carter, DeLuca, Farrell & Schmidt, LLP

(57) **CLAIM**

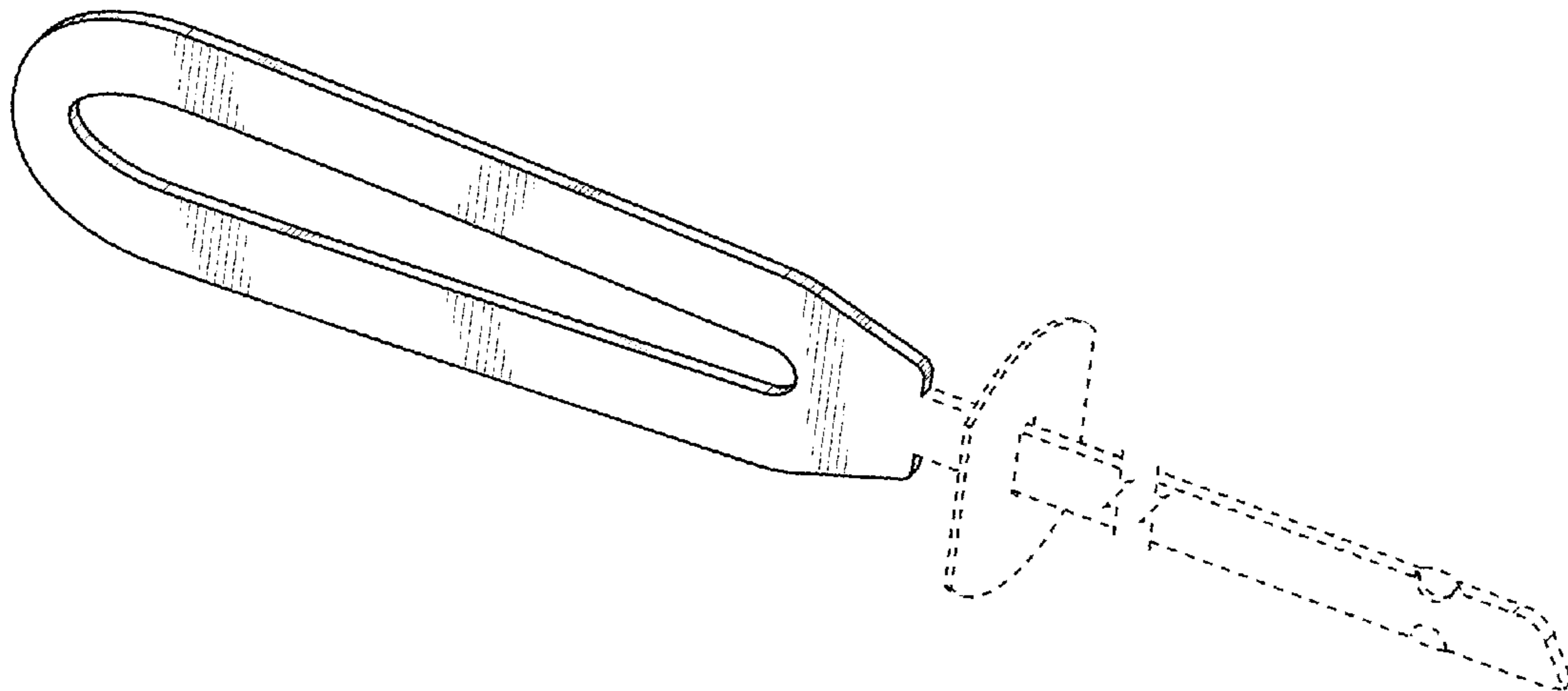
The ornamental design for a skewer, as shown and described.

**DESCRIPTION**

FIG. 1 is a perspective view of a skewer in accordance with the present design;  
FIG. 2 is a top plan view thereof;  
FIG. 3 is a bottom plan view thereof;  
FIG. 4 is a front side elevational view thereof;  
FIG. 5 is a rear side elevational view thereof;  
FIG. 6 is a right side elevational view thereof; and,  
FIG. 7 is a left side elevational view thereof.  
The broken lines shown are included for the purpose of illustrating a portion of the skewer that forms no part of the claimed design.

**1 Claim, 4 Drawing Sheets**

(56) **References Cited**  
**U.S. PATENT DOCUMENTS**  
1,803,006 A \* 4/1931 Davis ..... A47J 43/283  
294/7  
D118,127 S \* 12/1939 Murdock ..... D7/695  
D119,867 S \* 4/1940 Murdock ..... D7/695  
D136,023 S \* 7/1943 Phillips ..... D7/696  
D142,978 S \* 11/1945 Bastien ..... D7/695  
D166,382 S 4/1952 Falatico  
D177,743 S \* 5/1956 Marx ..... D7/650  
D186,512 S 11/1959 Hoffman  
3,166,299 A 1/1965 De Chellis Verino  
D202,916 S \* 11/1965 Bliss ..... D7/692  
D209,998 S \* 1/1968 Perry ..... D7/695



(56)

References Cited

U.S. PATENT DOCUMENTS

D411,721 S 6/1999 Fielding et al.  
D426,429 S 6/2000 Zemel  
D431,976 S \* 10/2000 Backstrom ..... D7/688  
D474,646 S 5/2003 Zemel  
D496,558 S 9/2004 Zemel  
6,877,232 B2 4/2005 Harmon et al.  
D512,885 S 12/2005 Zemel  
D513,926 S 1/2006 Zemel  
D524,124 S 7/2006 Tashjian  
D528,857 S 9/2006 Zemel  
D529,333 S 10/2006 Zemel  
D529,335 S 10/2006 Zemel  
D541,602 S \* 5/2007 Yu ..... D7/688  
D544,750 S 6/2007 Zemel  
D545,120 S 6/2007 Zemel  
D562,064 S 2/2008 Zemel  
D564,292 S 3/2008 Zemel  
D566,460 S 4/2008 Zemel

D572,079 S 7/2008 Zemel  
D574,184 S 8/2008 Zemel  
D579,269 S 10/2008 Zemel  
D588,868 S 3/2009 Zemel  
D592,916 S 5/2009 Mazzetta et al.  
D618,499 S 6/2010 Zemel  
D618,523 S \* 6/2010 Jalet ..... D7/692  
D627,200 S \* 11/2010 Rothman ..... D7/688  
D633,761 S \* 3/2011 Lion ..... D7/692  
D658,434 S 5/2012 Zemel  
D658,937 S 5/2012 Zemel  
D689,346 S \* 9/2013 Lion ..... D7/692  
D693,654 S 11/2013 Borovicka et al.  
D694,075 S 11/2013 Zemel et al.  
D708,918 S \* 7/2014 Bagley ..... D7/695  
D756,170 S \* 5/2016 Cook ..... D7/649

OTHER PUBLICATIONS

Design U.S. Appl. No. 29/435,675, filed Oct. 26, 2012.

\* cited by examiner

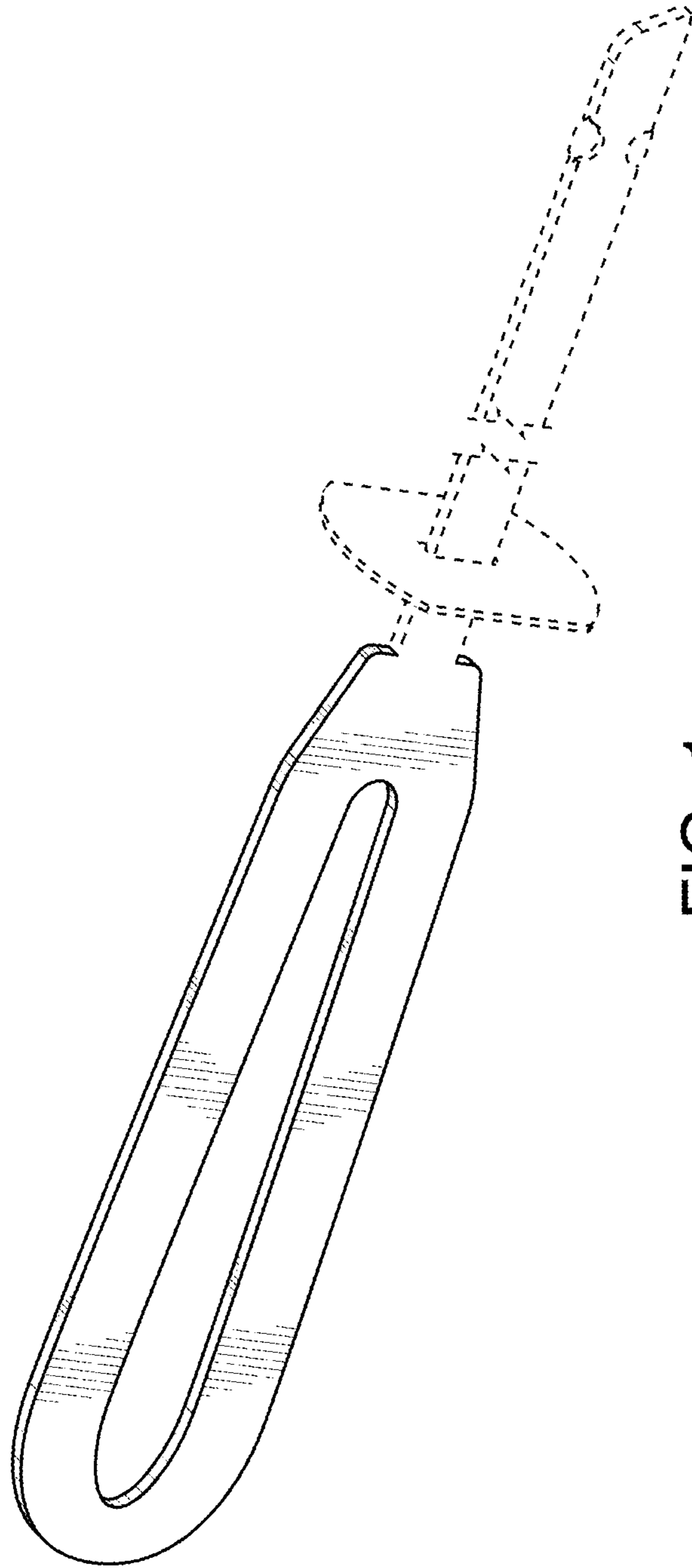


FIG. 1

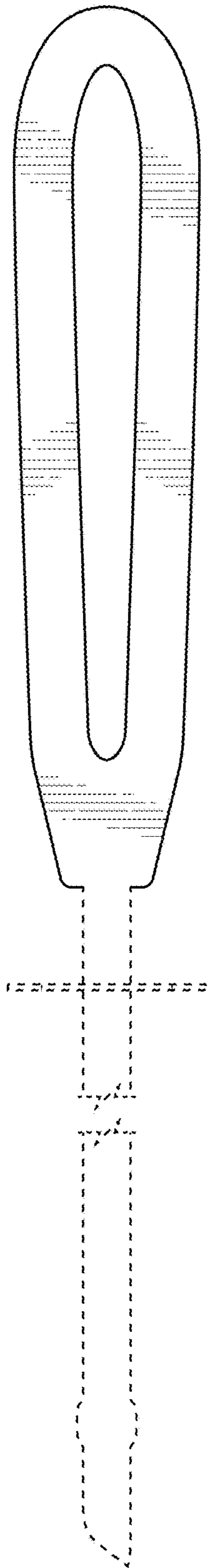


FIG. 2

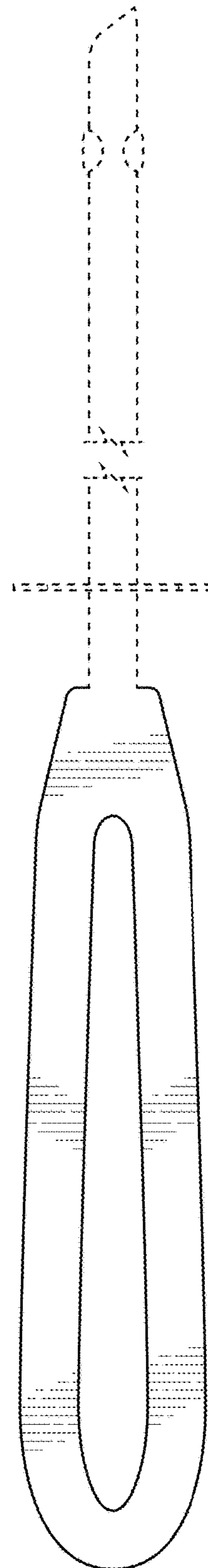


FIG. 3



FIG. 4

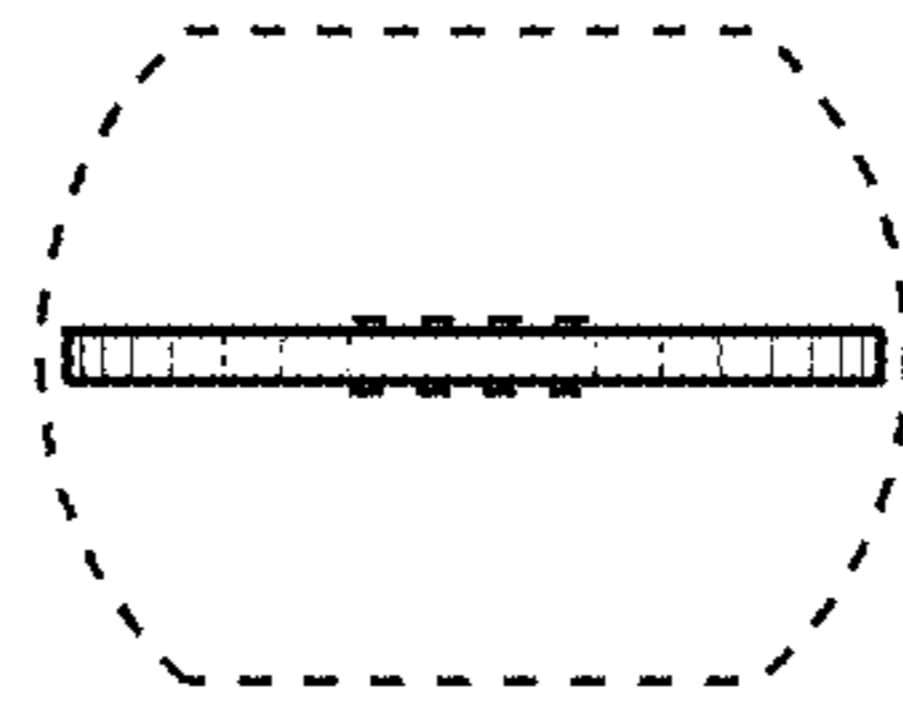


FIG. 5

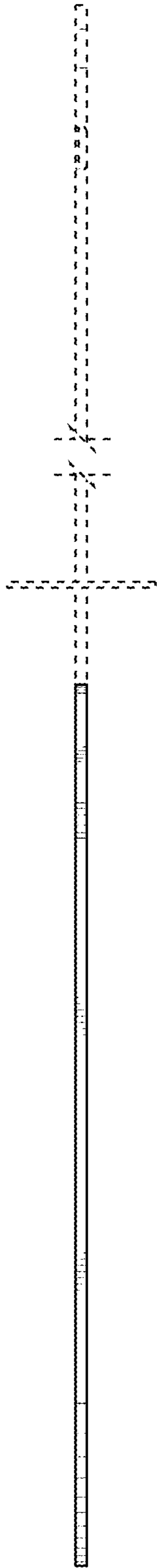


FIG. 6

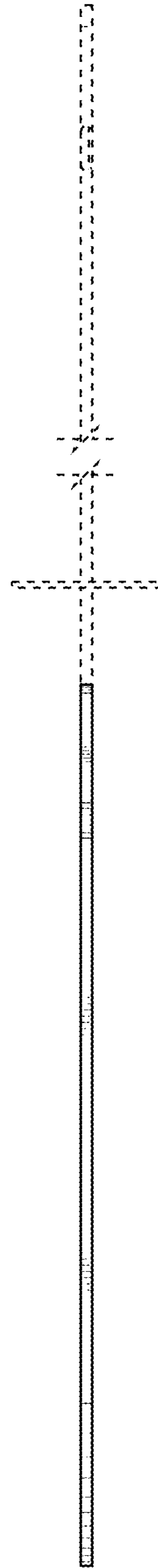


FIG. 7