



US00D801755S

(12) **United States Design Patent** (10) **Patent No.:** **US D801,755 S**
Barrier (45) **Date of Patent:** **** Nov. 7, 2017**

(54) **KNIFE BLOCK**
(71) Applicant: **Carl Barrier**, Roper, NC (US)
(72) Inventor: **Carl Barrier**, Roper, NC (US)
(**) Term: **15 Years**
(21) Appl. No.: **29/545,545**
(22) Filed: **Nov. 13, 2015**
(51) **LOC (10) Cl.** **07-99**
(52) **U.S. Cl.**
USPC **D7/637**
(58) **Field of Classification Search**
USPC D7/637-641; 30/298.4; 211/60.1, 70.6,
211/70.7; 248/37.3, 37.6
CPC A47B 88/20; A47F 7/00; A47G 21/00;
A47G 21/14; B26B 3/00
See application file for complete search history.

D517,377 S * 3/2006 Tetreault D7/637
D532,260 S * 11/2006 Shen D7/637
D572,982 S * 7/2008 de Bretton Gordon D7/637

* cited by examiner

Primary Examiner — Derrick Holland
Assistant Examiner — Janice Lim
(74) *Attorney, Agent, or Firm* — Ward and Smith, P.A.;
Ryan K. Simmons

(57) **CLAIM**

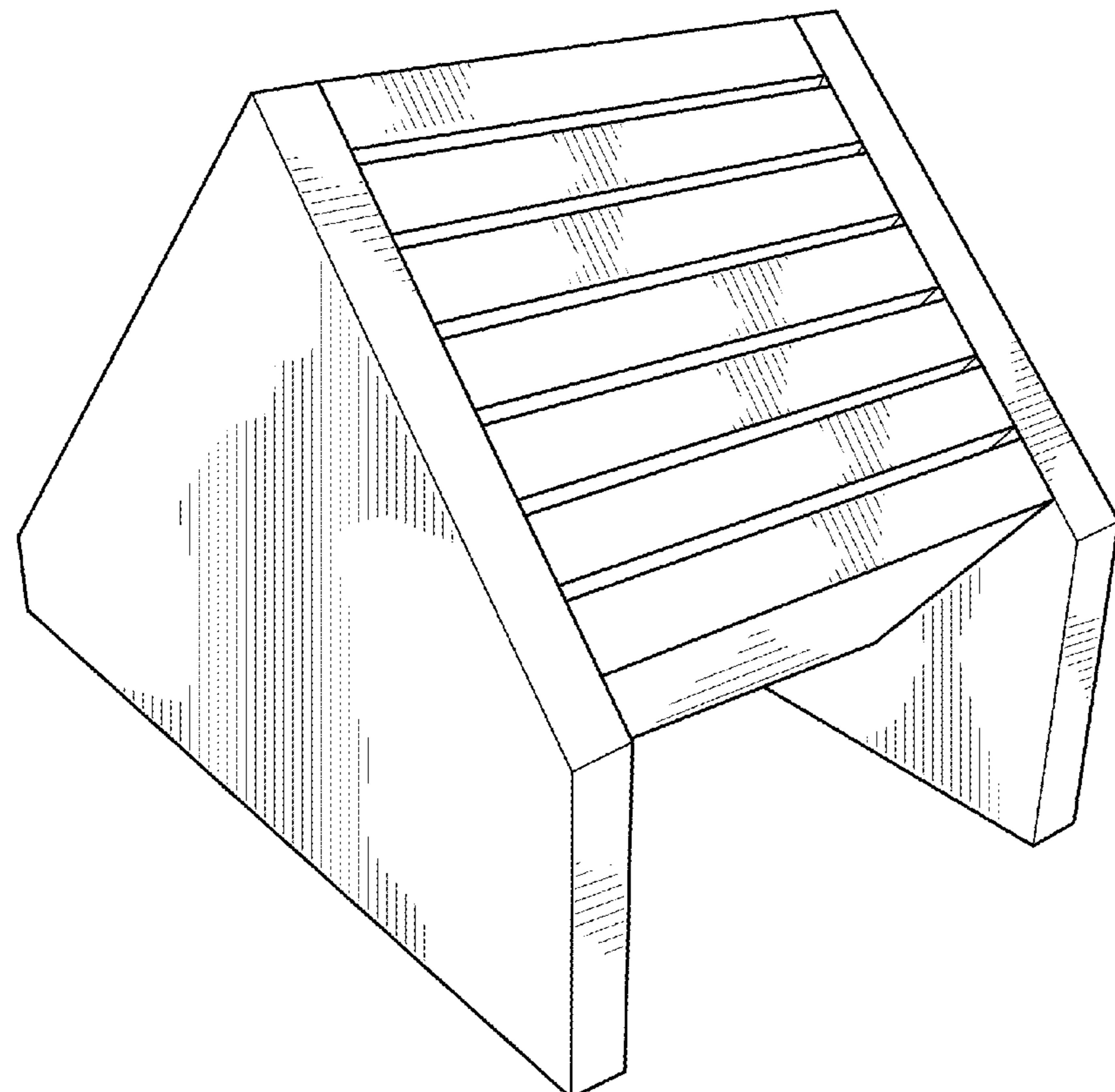
The ornamental design for a knife block, as shown and described.

DESCRIPTION

FIG. 1 is a perspective view of a knife block, showing my new design;
FIG. 2 is a perspective view thereof, shown in environmental use;
FIG. 3 is a front elevation view thereof;
FIG. 4 is a rear elevation view thereof;
FIG. 5 is a right side elevation view thereof, the left side being a mirror image thereof;
FIG. 6 is a top plan view thereof;
FIG. 7 is a bottom plan view thereof; and,
FIG. 8 is another bottom plan view thereof, shown in use.
The broken line portions show unclaimed subject matter only and form no part of the claimed design.

(56) **References Cited**
U.S. PATENT DOCUMENTS
D300,497 S * 4/1989 Goebel D7/637
D317,698 S * 6/1991 Martinez D7/637
D400,057 S * 10/1998 Bounds D7/637
D405,656 S * 2/1999 Davis D7/637
D421,879 S * 3/2000 Miller D7/637
D433,601 S * 11/2000 Ranieri D7/637
D462,580 S * 9/2002 Rorke D7/641

1 Claim, 8 Drawing Sheets



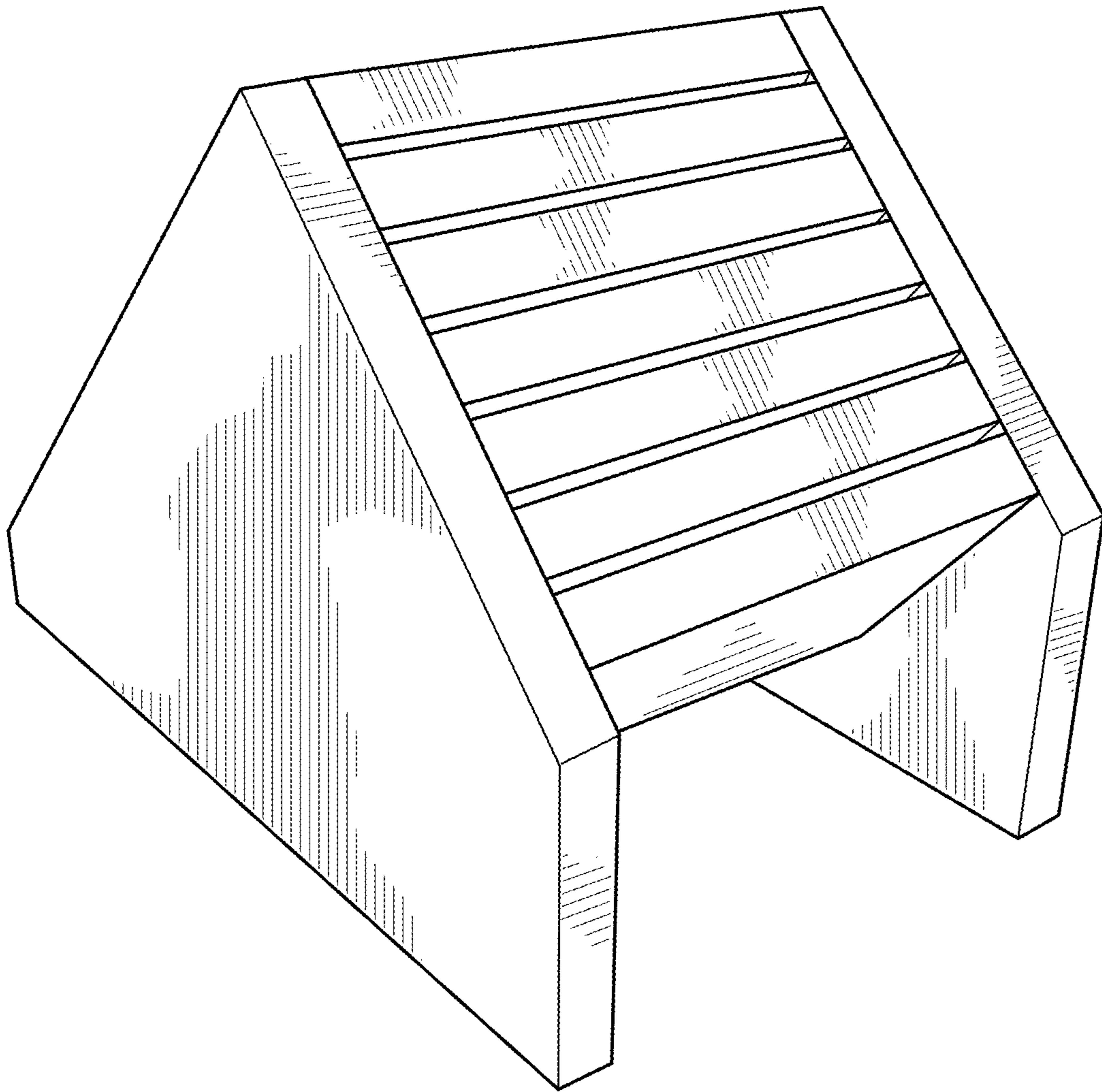


FIG. 1

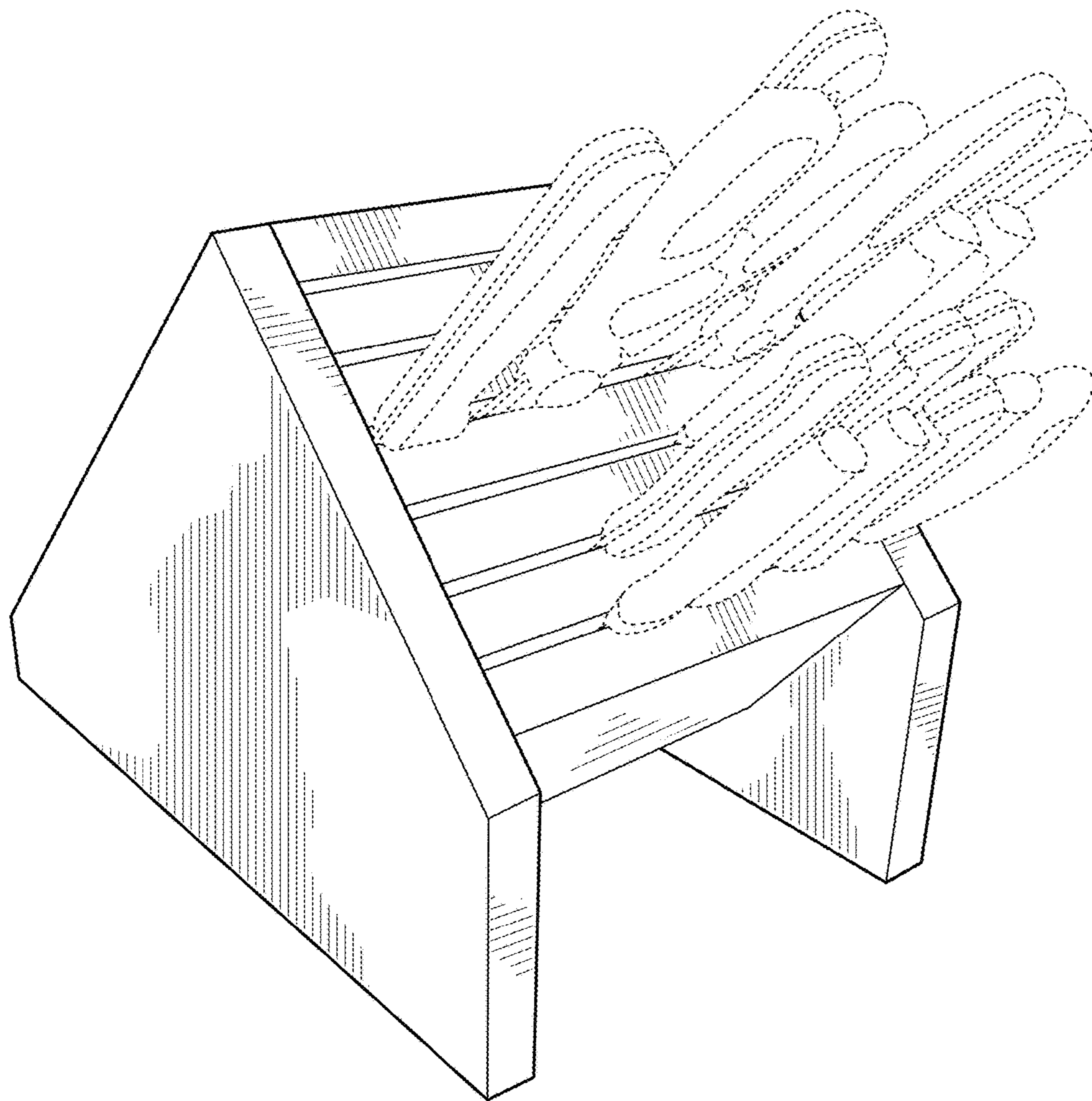


FIG. 2

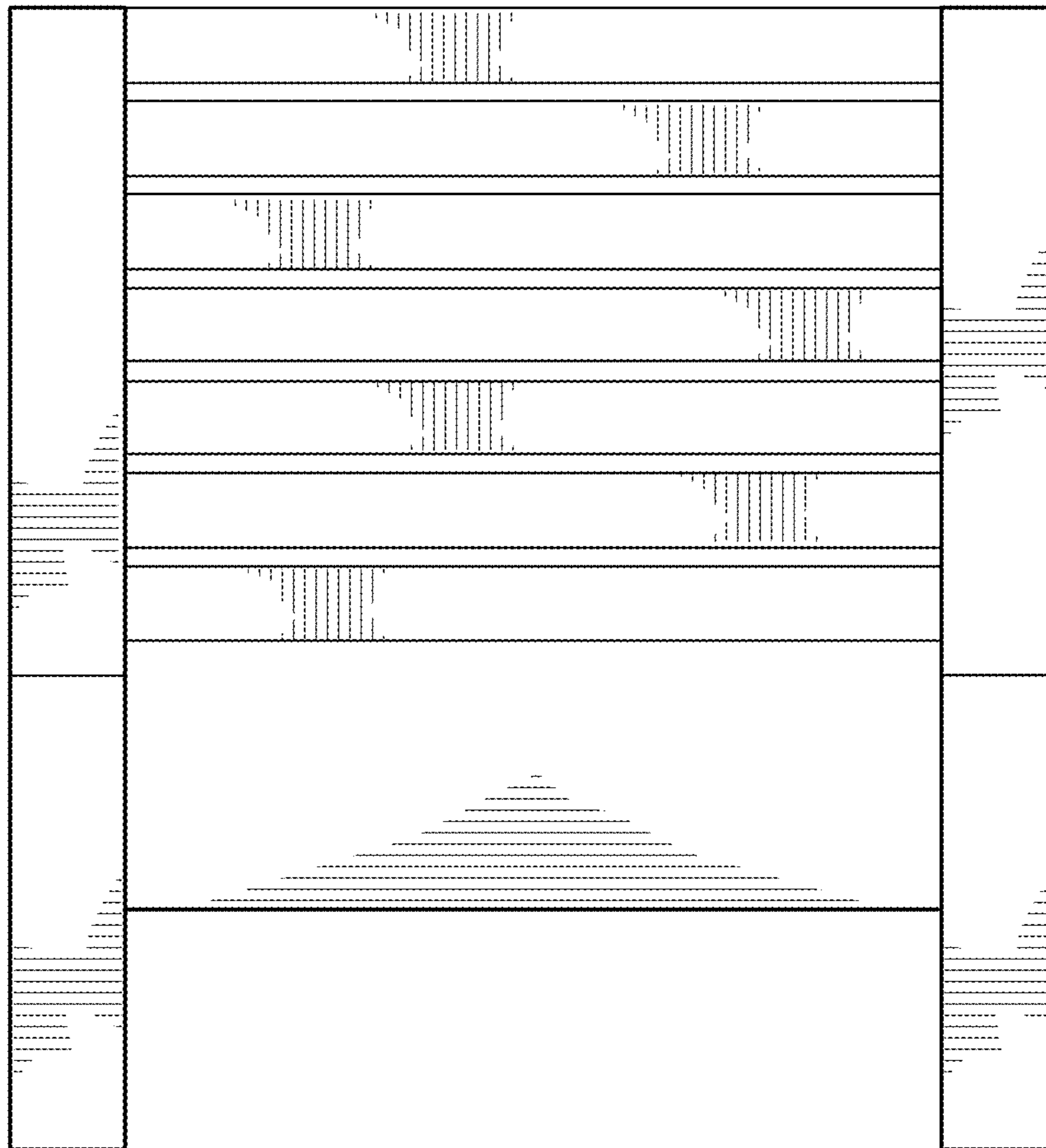


FIG. 3

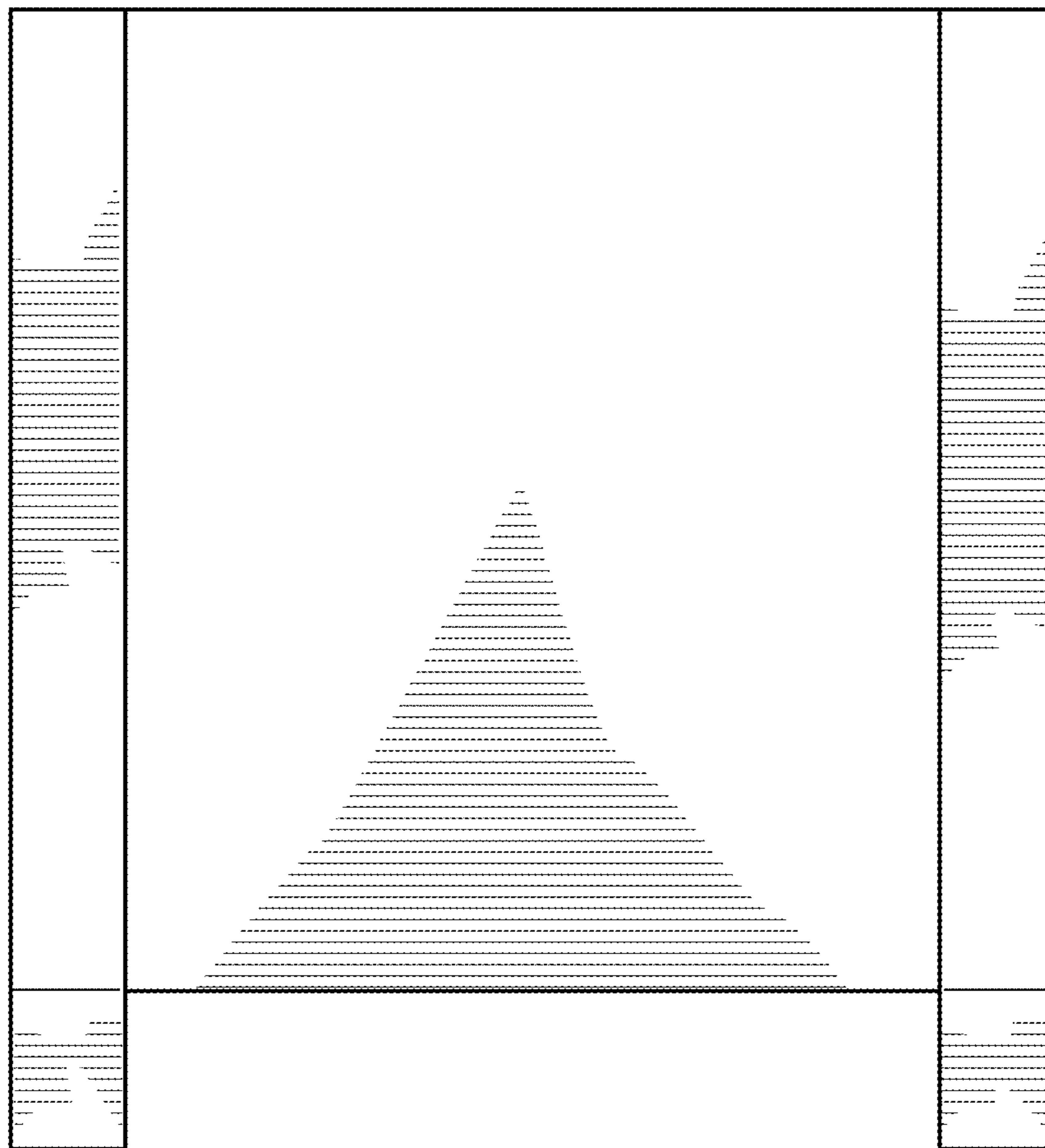


FIG. 4

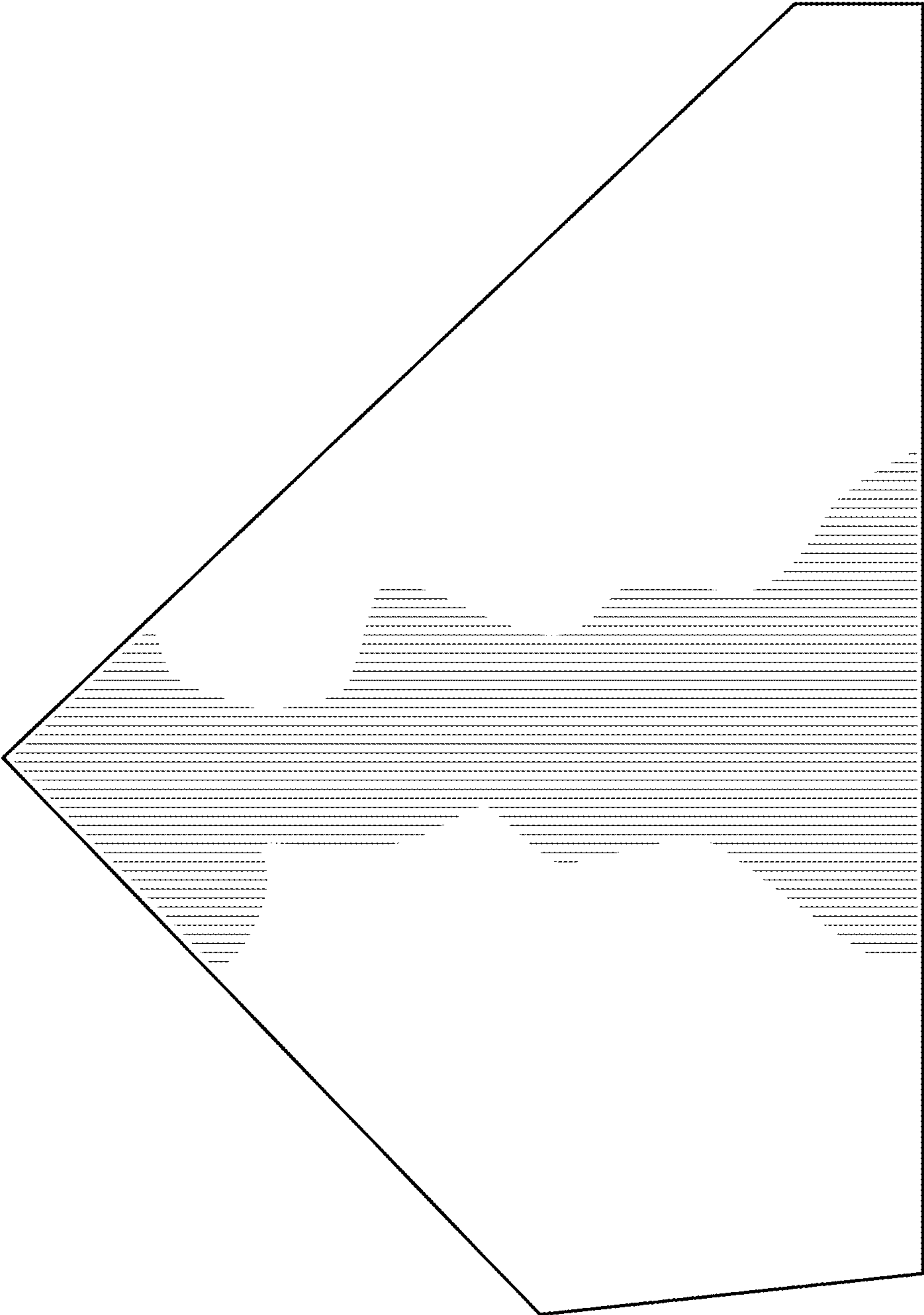


FIG. 5

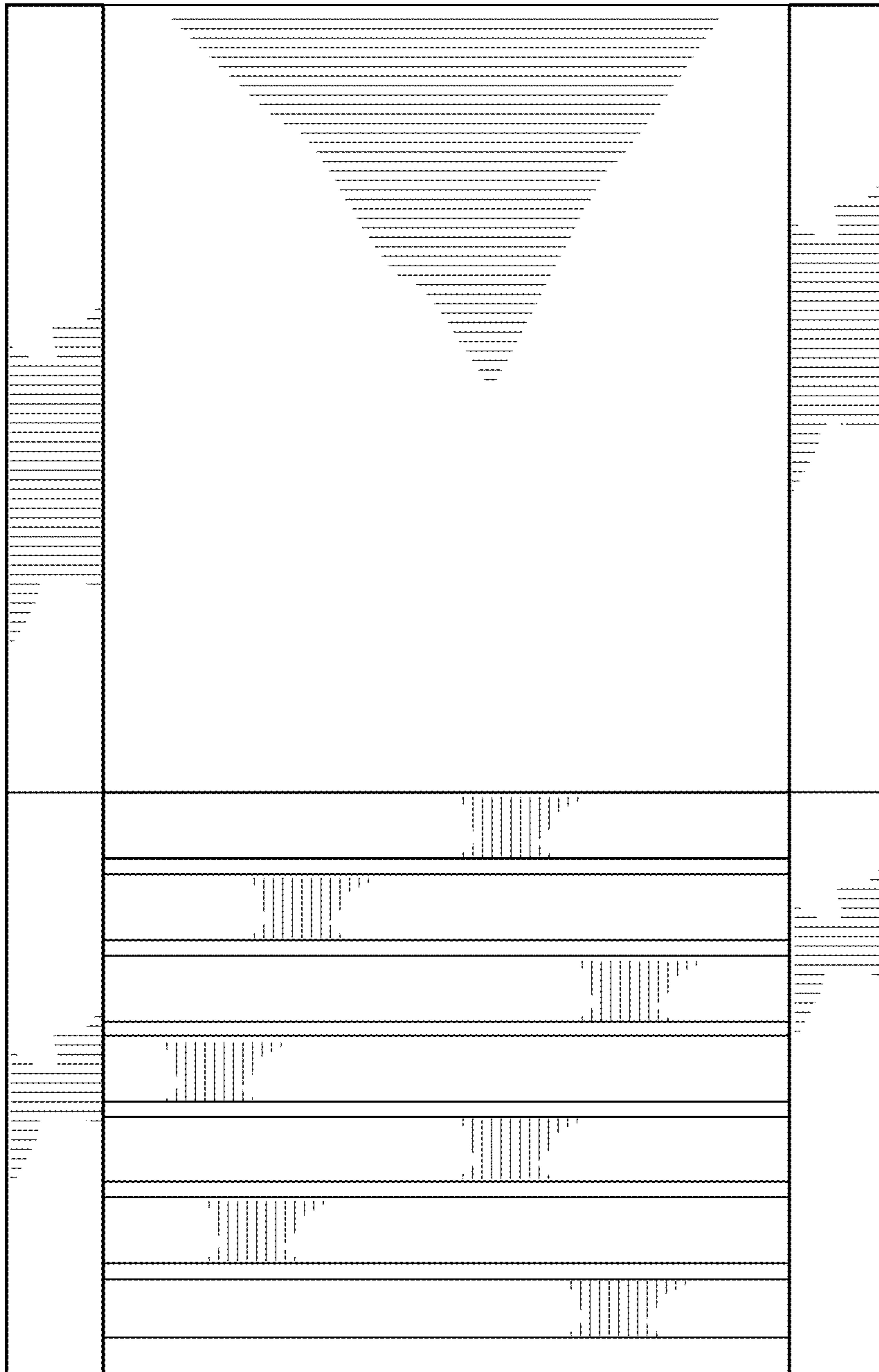


FIG. 6

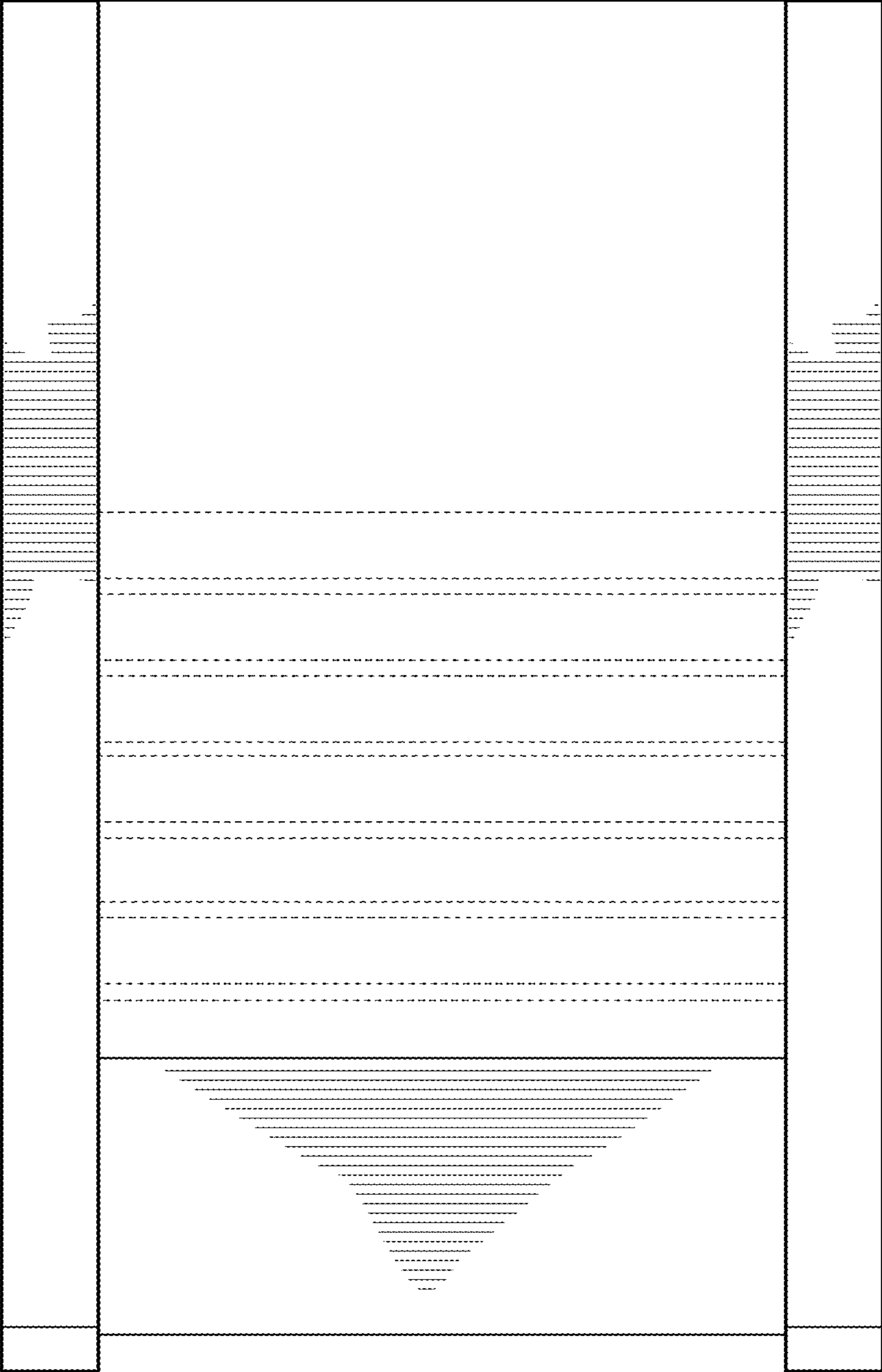


FIG. 7

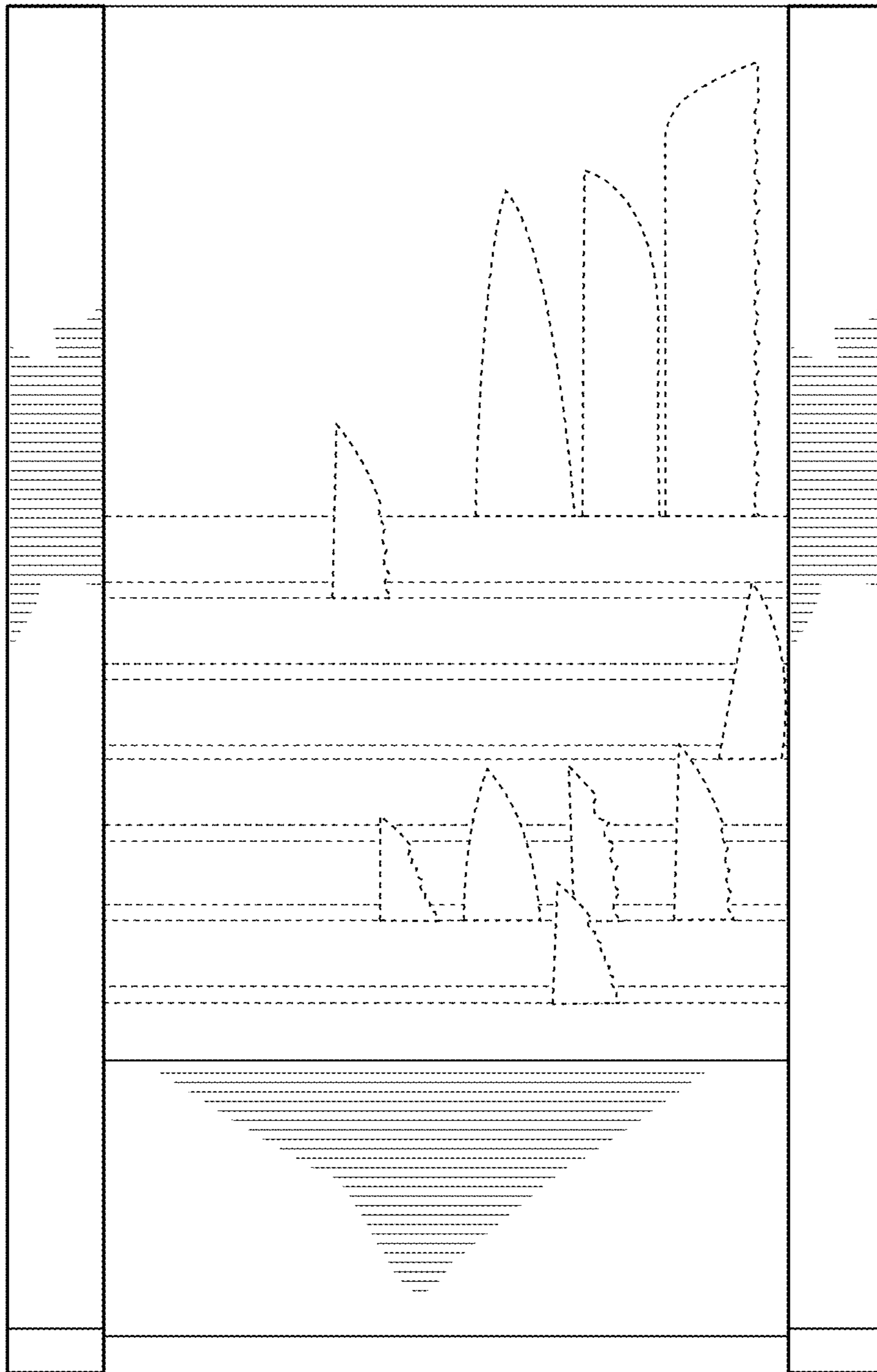


FIG. 8