



US00D801754S

(12) **United States Design Patent**
Neumann et al.

(10) **Patent No.: US D801,754 S**
(45) **Date of Patent: ** Nov. 7, 2017**

- (54) **FOOD STORAGE BOX**
- (71) Applicant: **Boolabox, Inc.**, Newark, DE (US)
- (72) Inventors: **Maia Magdalena Neumann**, Cos Cob, CT (US); **Daniela Paone Devitt**, Doylestown, PA (US)
- (73) Assignee: **BOOLABOX, INC.**, Newark, DE (US)
- (**) Term: **15 Years**
- (21) Appl. No.: **29/575,699**
- (22) Filed: **Aug. 26, 2016**

3,532,247 A * 10/1970 Bridges B65D 81/3834
206/217
3,799,386 A * 3/1974 Madalin B65D 25/2897
206/564
3,850,333 A * 11/1974 Reichert A45C 11/20
206/545
4,013,798 A * 3/1977 Goltsos B65D 81/3453
219/729
D318,985 S * 8/1991 Szablak D30/133
D320,909 S * 10/1991 Szablak D30/133
5,167,973 A * 12/1992 Snyder B65D 1/36
206/222
5,328,051 A * 7/1994 Potter A47G 19/02
220/501
D357,034 S * 4/1995 King D19/77
5,887,749 A * 3/1999 Schommer A01K 5/0114
206/564
D440,118 S * 4/2001 Claffy D7/553.1
6,257,403 B1 * 7/2001 Feldmeier B65D 5/2047
206/217

Related U.S. Application Data

- (63) Continuation of application No. 12/946,996, filed on Nov. 16, 2010.

(51) **LOC (10) Cl.** **07-07**

(52) **U.S. Cl.**
USPC **D7/629**

(58) **Field of Classification Search**
USPC D7/701-708, 601, 629, 630, 709;
D3/201-203.8, 273, 274
CPC A45C 11/20; A01K 5/0014; A01K 7/00;
B65D 1/24; B65D 1/00; B65D 1/36;
B65D 1/34; B65D 81/3813; B65D
81/3834; B65D 5/2047; B65D 25/2897;
B65D 25/04; A47G 19/02; A47G 23/06;
A47B 23/002
See application file for complete search history.

(56) **References Cited**

U.S. PATENT DOCUMENTS

D122,589 S * 9/1940 Bastress 220/575
3,025,947 A * 3/1962 Hammer A45C 11/20
206/545
3,240,610 A * 3/1966 Cease A47G 23/0683
126/390.1

(Continued)

Primary Examiner — Terry A Wallace

(74) *Attorney, Agent, or Firm* — Norton Rose Fulbright
US LLP

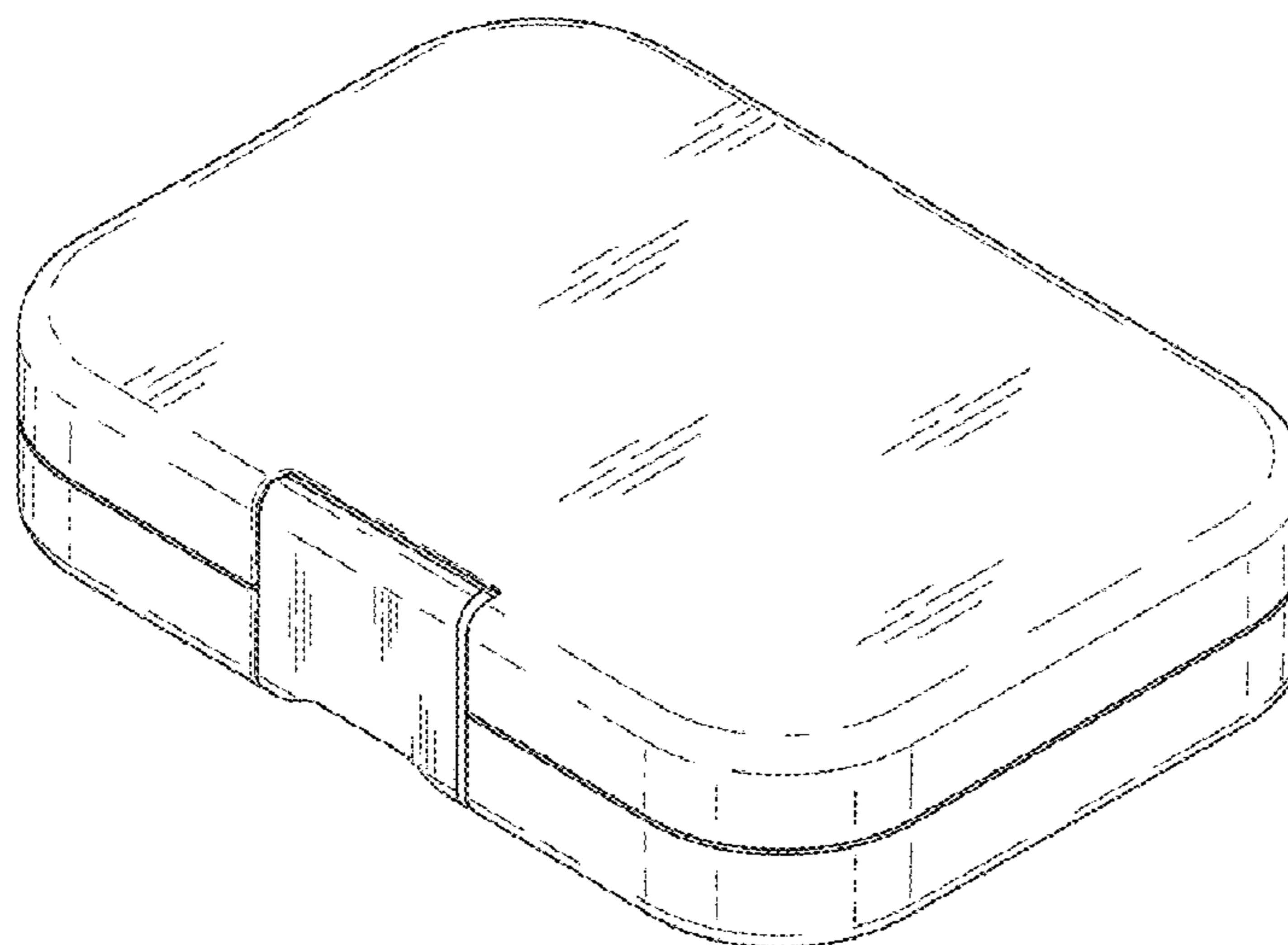
(57) **CLAIM**

The ornamental design for a food storage box, as shown and described.

DESCRIPTION

FIG. 1 is a perspective view of closed food storage box.
FIG. 2 is a top view of the closed food storage box.
FIG. 3 is a bottom view of the closed food storage box.
FIG. 4 is a front view of the closed food storage box.
FIG. 5 is a back view of the closed food storage box; and,
FIG. 6 is a side view of the closed food storage box, where
left and right side views are identical.
The broken lines are for illustrative purposes only and form
no part of the claimed design.

1 Claim, 1 Drawing Sheet



(56)

References Cited

U.S. PATENT DOCUMENTS

7,326,428 B2 *	2/2008	Weir	A47J 47/10 220/23.88
D600,504 S *	9/2009	Clark	D7/553.5
8,328,034 B2 *	12/2012	Miros	A45C 11/20 220/23.86
8,376,177 B2 *	2/2013	Castner	A45C 11/20 206/561
D711,196 S *	8/2014	May	D7/637
2003/0006156 A1 *	1/2003	McCracken	B44C 7/02 206/373
2006/0201950 A1 *	9/2006	Liu	B65D 1/24 220/526
2010/0224531 A1 *	9/2010	Claffy	A47G 23/06 206/561

* cited by examiner

Fig. 1

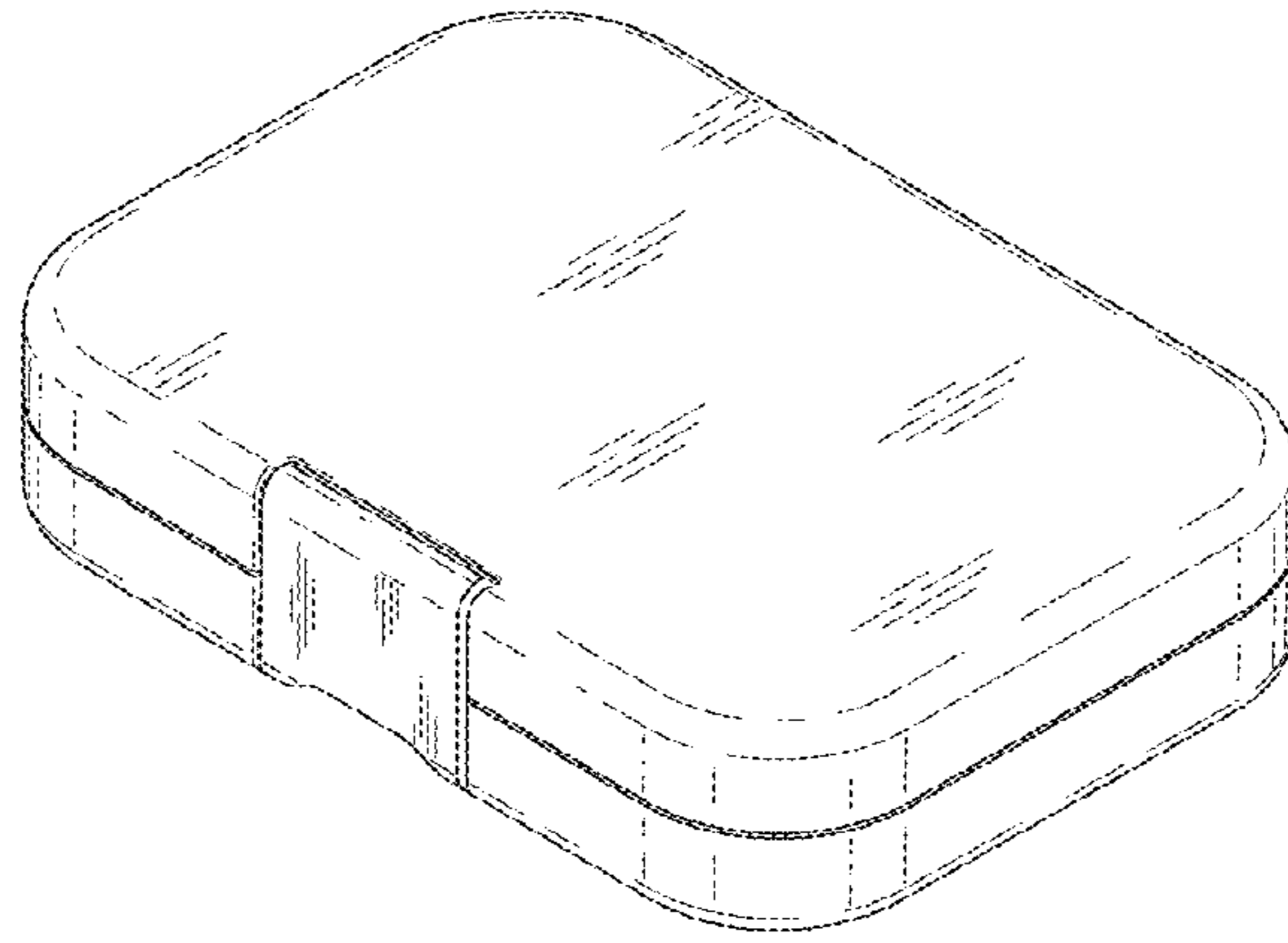


Fig. 2

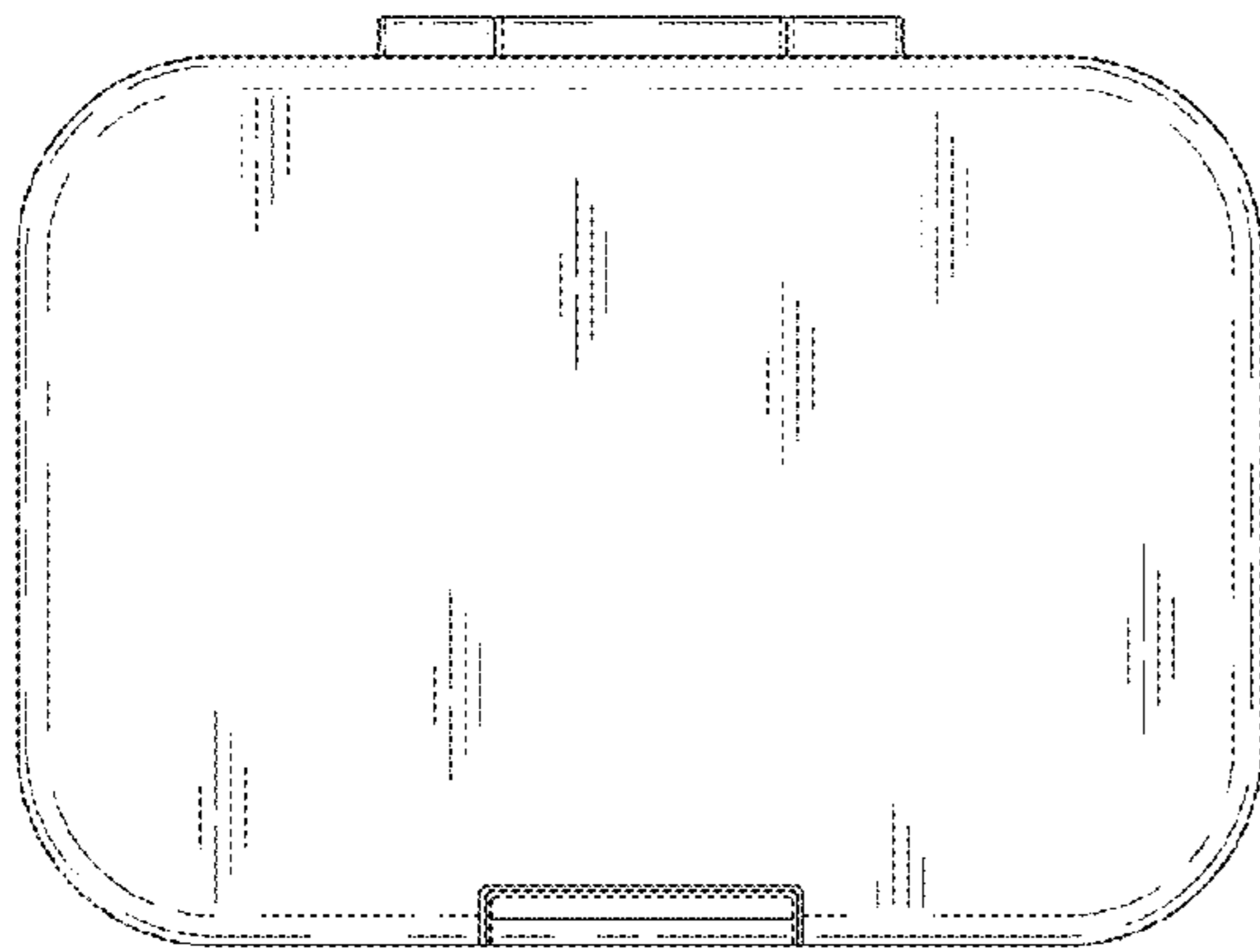


Fig. 3

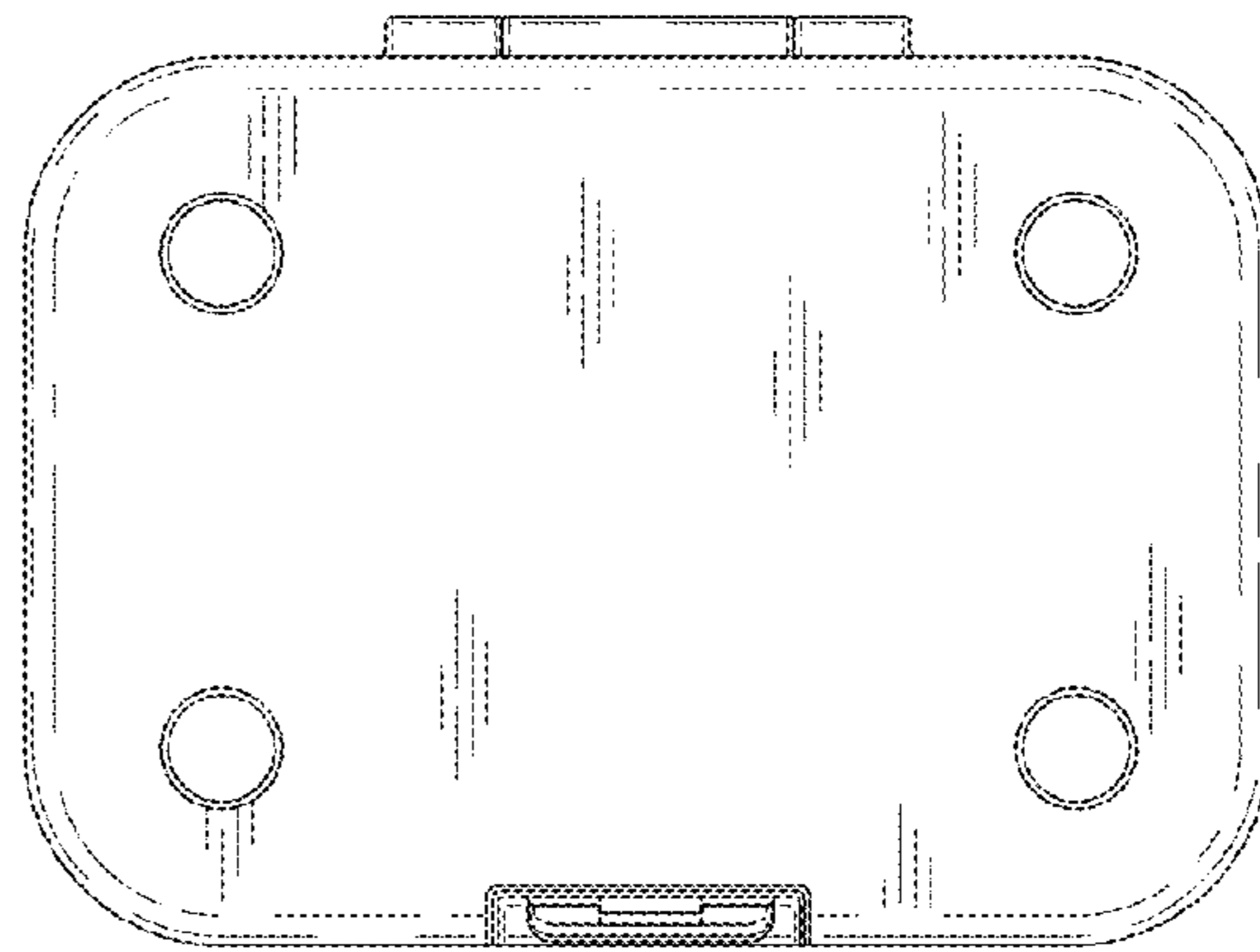


Fig. 4

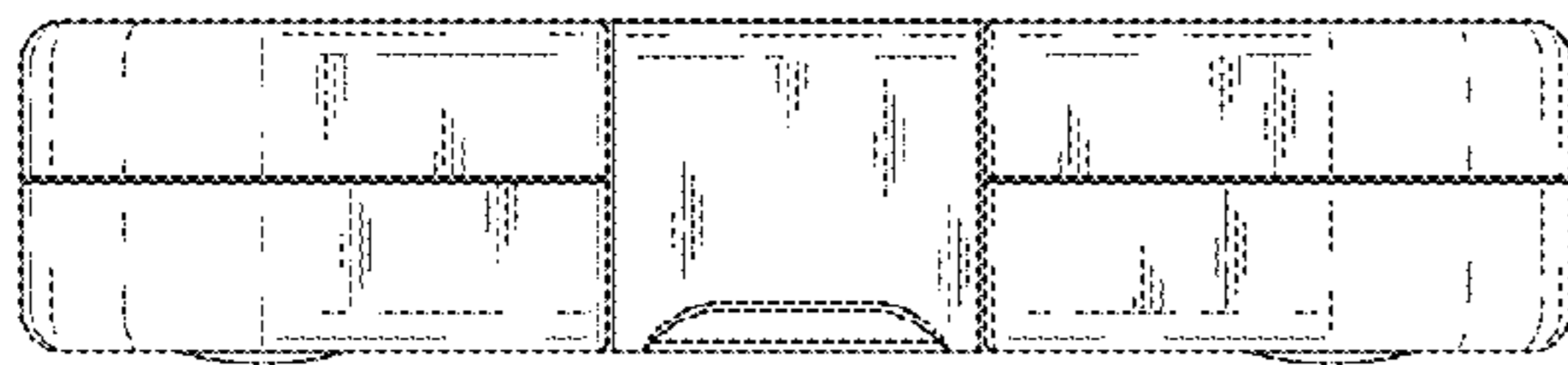


Fig. 5

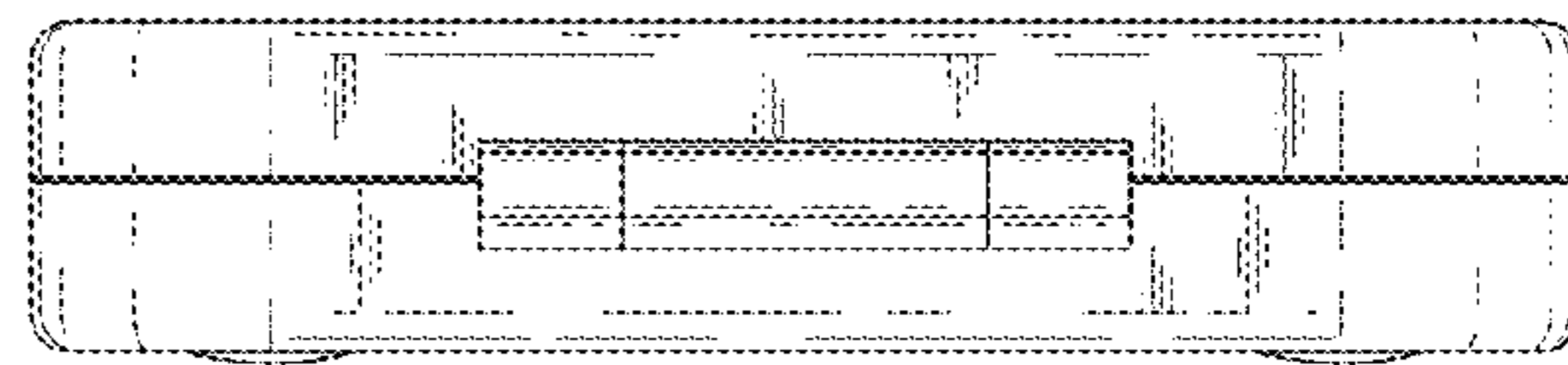


Fig. 6

