



US00D801751S

(12) **United States Design Patent** (10) **Patent No.:** **US D801,751 S**
Merten (45) **Date of Patent:** **** *Nov. 7, 2017**

- (54) **CUP WITH RING**
- (71) Applicant: **Edge Innovations, LLC**, Las Vegas, NV (US)
- (72) Inventor: **Gary Merten**, Torrance, CA (US)
- (73) Assignee: **Edge Innovations, LLC**, Las Vegas, NV (US)
- (*) Notice: This patent is subject to a terminal disclaimer.
- (**) Term: **15 Years**
- (21) Appl. No.: **29/533,535**
- (22) Filed: **Jul. 17, 2015**
- (51) **LOC (10) Cl.** **07-01**
- (52) **U.S. Cl.**
USPC **D7/536**; D7/533; D7/514
- (58) **Field of Classification Search**
USPC D7/507, 509, 523, 529, 530, 531, 532, D7/533, 534, 535, 536, 514, 515, 602, D7/619.1, 387, 392.1, 396.1, 396.2, D7/396.3, 396.4, 396.5, 213; 220/319, 220/324, 592.16, 592.17, 62.12, 649, 703, 220/704, 918, 919; D20/22, 27, 28, 41, D20/43; D11/26, 27, 29; D9/651, 517, D9/534, 527, 394
CPC A47G 19/22; A47G 19/2205; A47G 19/2211; A47G 19/2216; A47G 19/2222; A47G 19/2227; B65D 1/265
See application file for complete search history.

- D218,471 S * 8/1970 Stone D7/536
- D219,675 S * 1/1971 Davis D7/535
- D232,010 S 7/1974 Steinmann
- D283,772 S * 5/1986 Vail D14/187
- 4,712,698 A 12/1987 Greenberg
- 5,029,495 A * 7/1991 Rosenberger B67B 7/403
81/3.09
- D399,392 S 10/1998 Husted
- D417,589 S 12/1999 Parker
- D440,179 S * 4/2001 Morelle D11/26
- D464,900 S * 10/2002 Reossi D11/26
- D466,371 S 12/2002 Parker
- D469,658 S 2/2003 Norris et al.
- D470,015 S 2/2003 Kortleven et al.
- D471,763 S 3/2003 Huribut et al.
- D483,615 S 12/2003 Norris et al.
- D485,730 S 1/2004 Thun
- D495,186 S 8/2004 Poupel et al.
- D506,643 S * 6/2005 Norris D7/532
- D512,269 S 12/2005 Trombly
- D514,878 S * 2/2006 Schmidt D7/394
- D523,692 S 6/2006 Meehan

(Continued)

Primary Examiner — Marianne Pandozzi
Assistant Examiner — Jae Liang
(74) *Attorney, Agent, or Firm* — Weide & Miller, Ltd.

(57) **CLAIM**

The ornamental design for a cup with ring, as shown and described.

DESCRIPTION

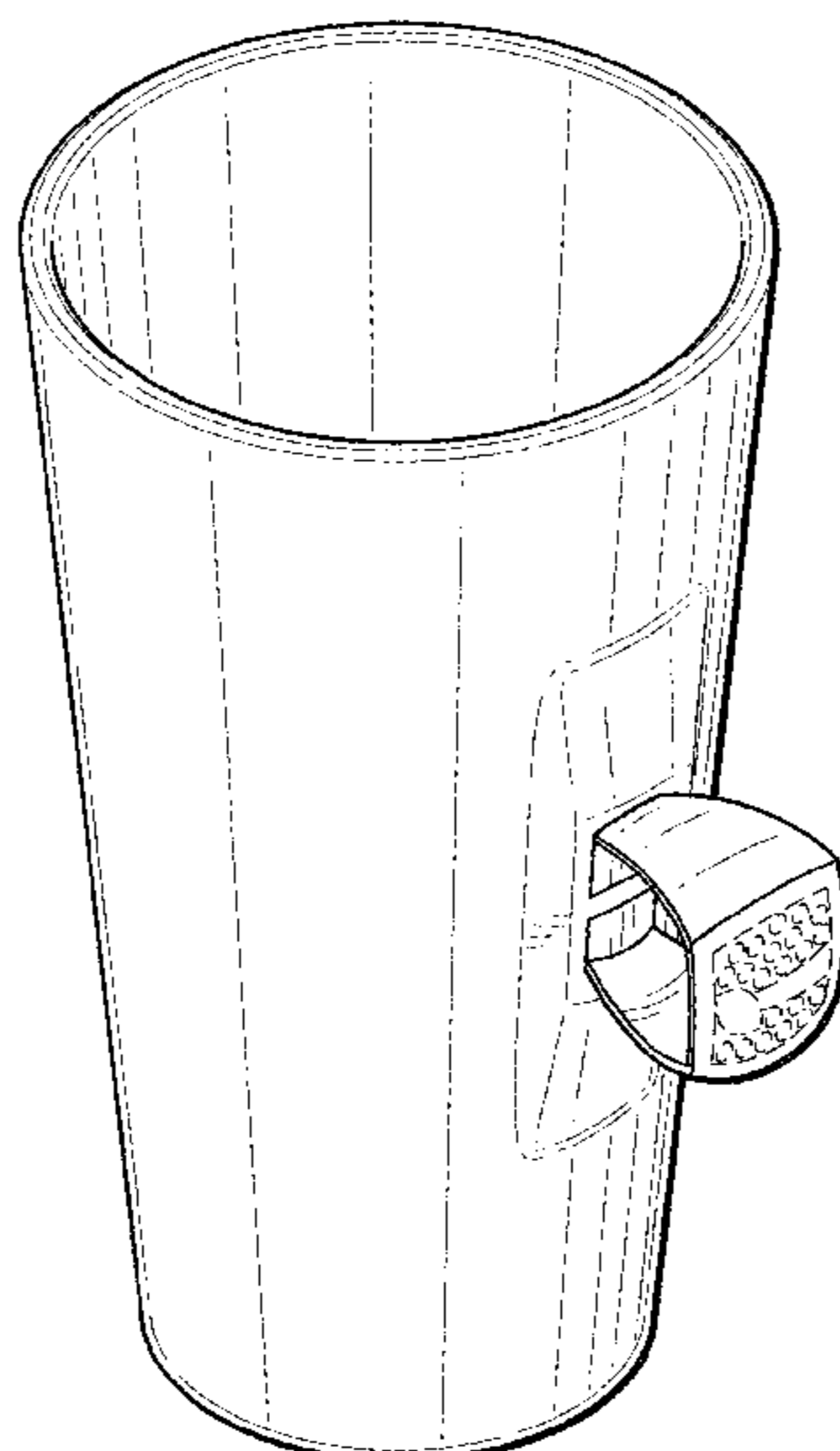
FIG. 1 is a perspective view of a cup with ring showing my new design;
FIG. 2 is front view thereof;
FIG. 3 is side view thereof;
FIG. 4 is a rear view thereof;
FIG. 5 is a top view thereof; and,
FIG. 6 is a bottom view thereof.
The broken lines in the drawing depict portions of the cup with ring that form no part of the claimed design.

1 Claim, 3 Drawing Sheets

(56) **References Cited**

U.S. PATENT DOCUMENTS

- D186,037 S * 9/1959 Stageberg D7/536
- 3,151,798 A * 10/1964 Meagher A47G 23/0216
220/23.83
- D207,962 S * 6/1967 Refsgaard D7/536



(56)

References Cited

U.S. PATENT DOCUMENTS

D528,861	S	9/2006	Herrera	
D531,454	S	11/2006	Zerillo et al.	
D533,402	S	12/2006	Bin	
D540,124	S	4/2007	Ross	
D545,128	S	6/2007	Liu et al.	
D547,121	S	7/2007	Friedman	
D558,523	S	1/2008	Bhavnani	
D565,991	S *	4/2008	Mouclier	D11/26
D567,025	S	4/2008	Claffey	
D589,751	S	4/2009	Liu et al.	
D598,242	S	8/2009	Kusher	
D599,621	S *	9/2009	Poindexter	D7/532
D621,220	S	8/2010	Lown et al.	
D621,666	S	8/2010	Wahl	
D628,439	S	12/2010	Levere	
D628,440	S	12/2010	Levere	
D628,441	S	12/2010	Levere	
RE42,172	E	3/2011	Trombly	
D647,140	S *	10/2011	Ray	D19/73
D665,227	S	8/2012	Cason	
D683,591	S	6/2013	Cahen	
D691,509	S *	10/2013	Collamore	D11/26
D713,244	S *	9/2014	DuHaime	D7/509

* cited by examiner

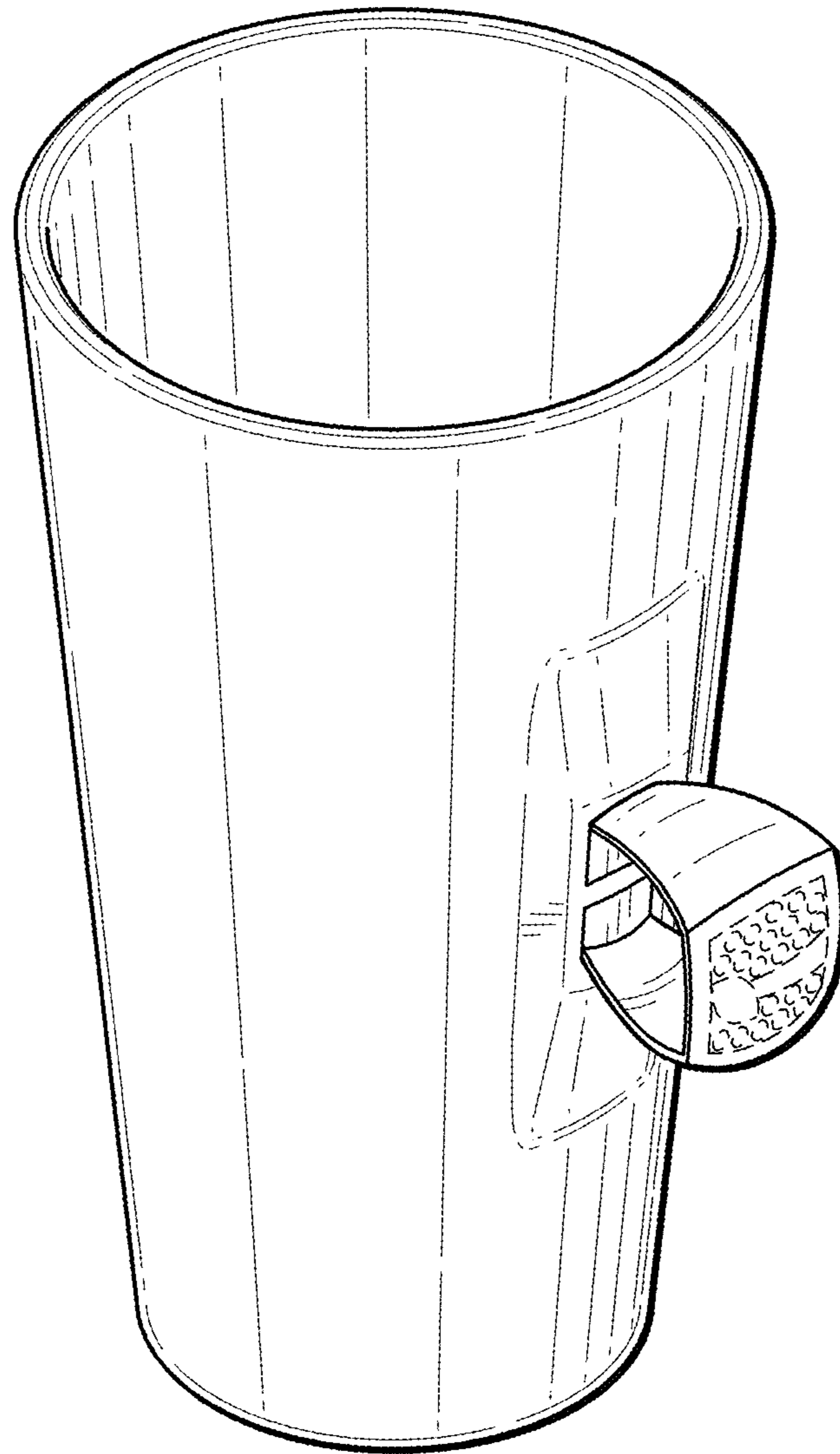


FIG. 1

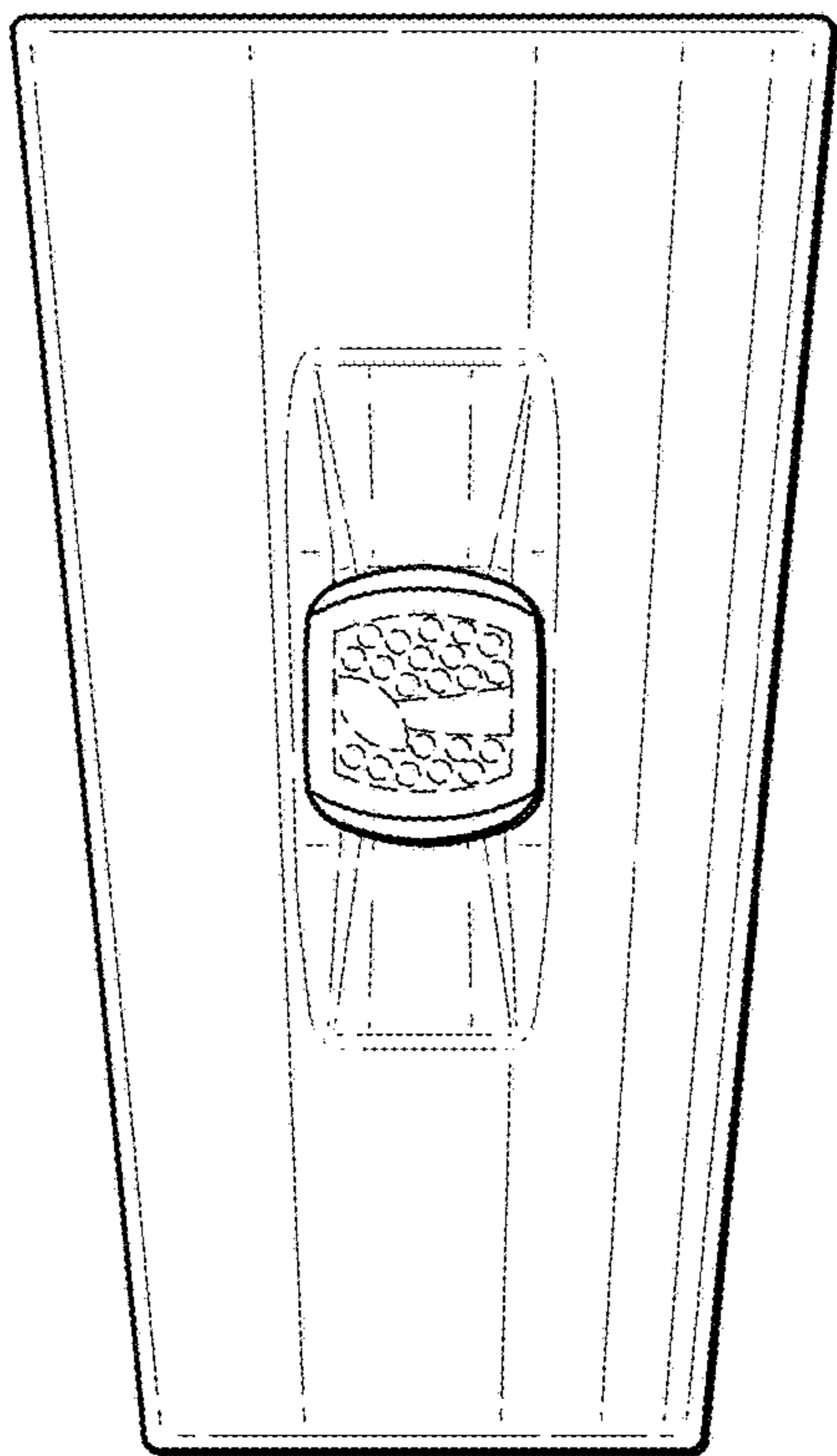


FIG. 2

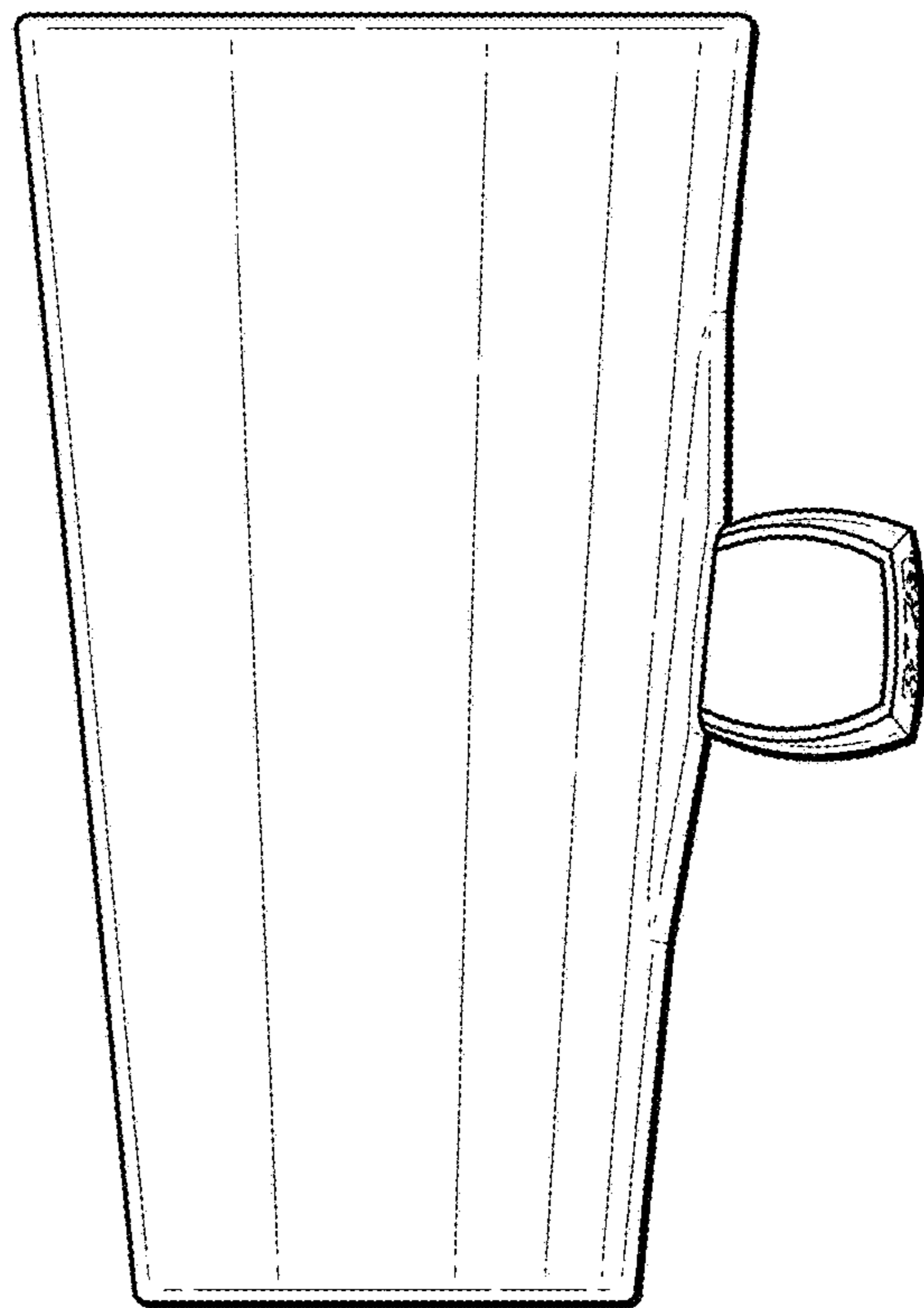


FIG. 3

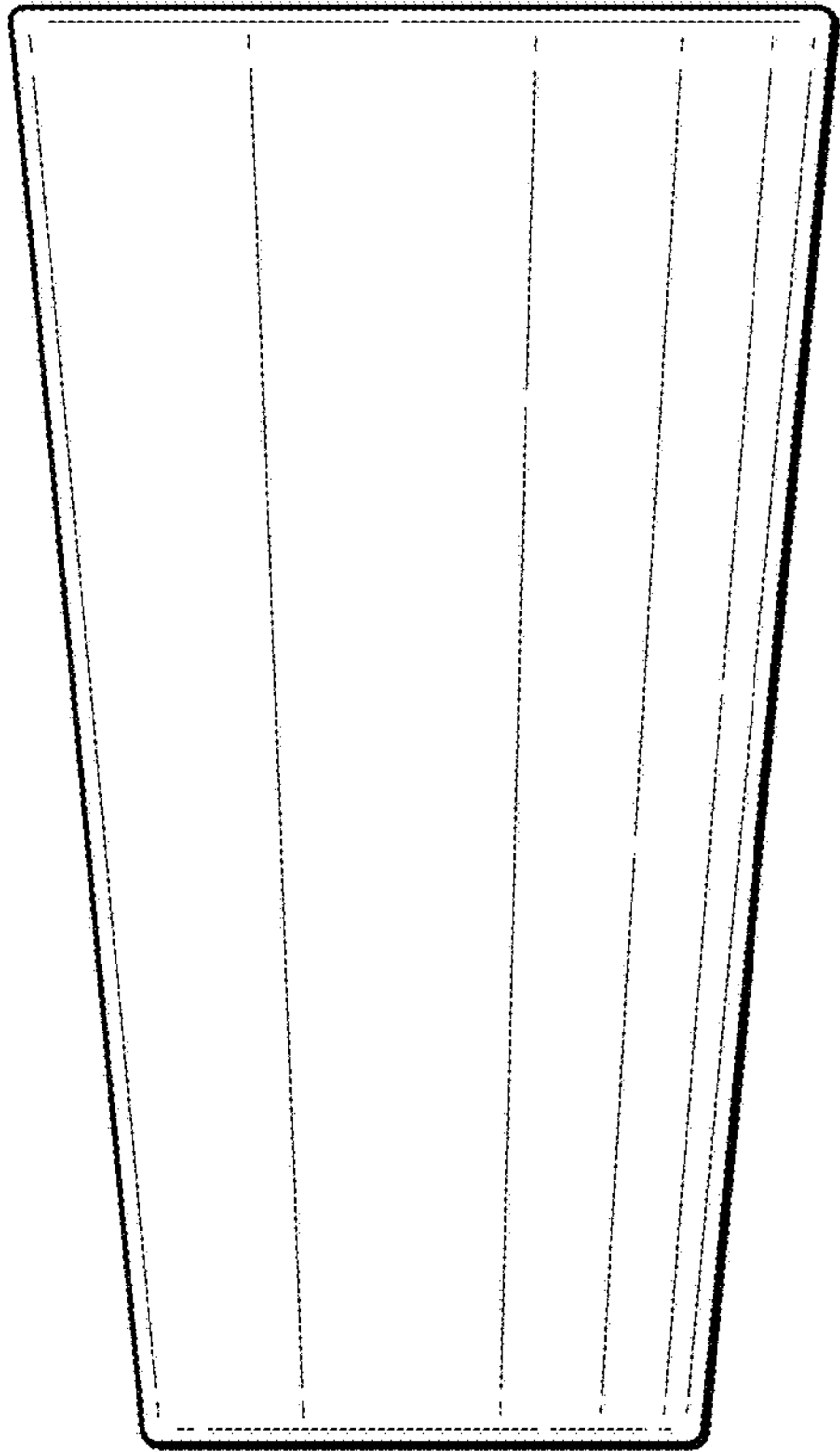


FIG. 4

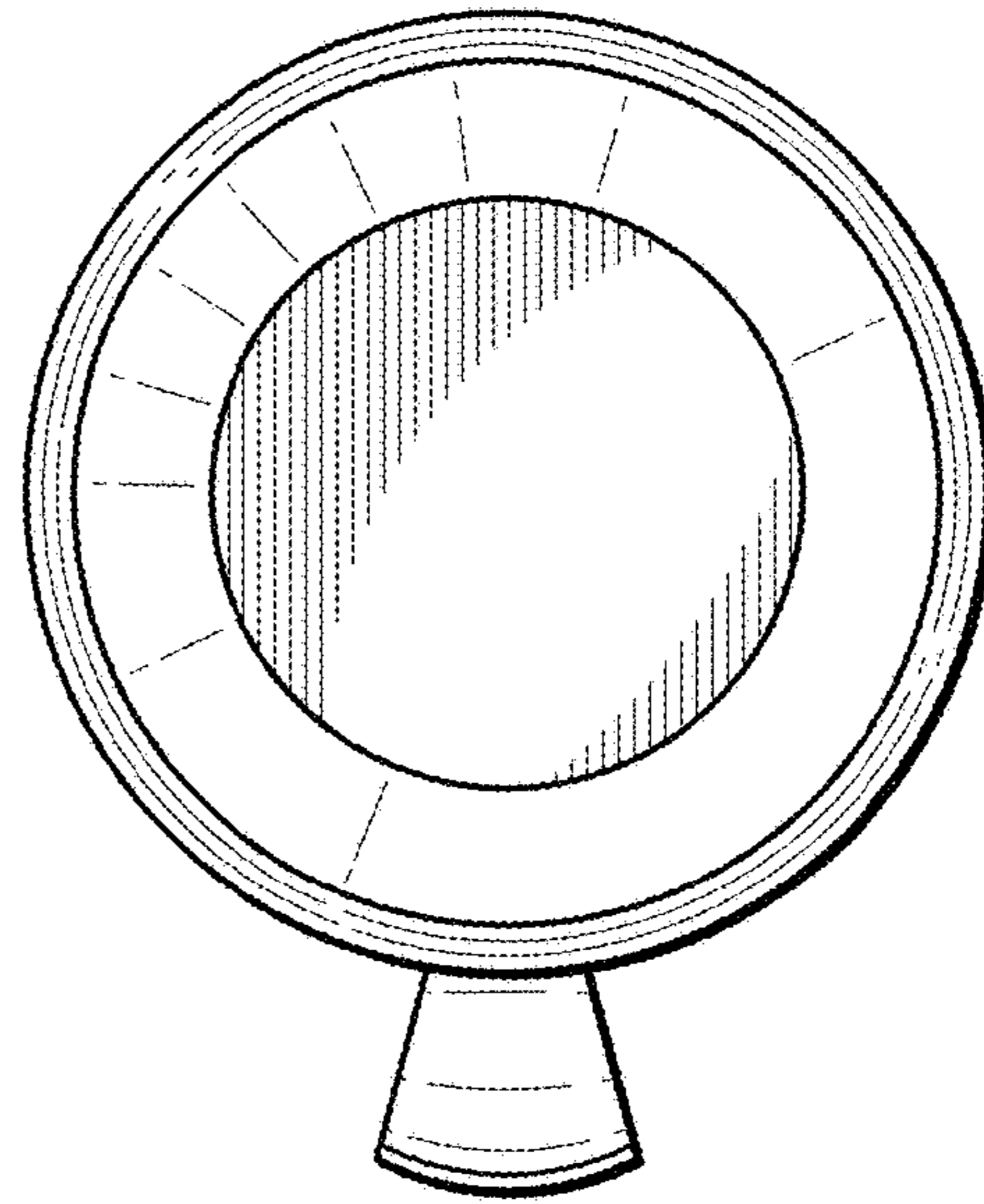


FIG. 5

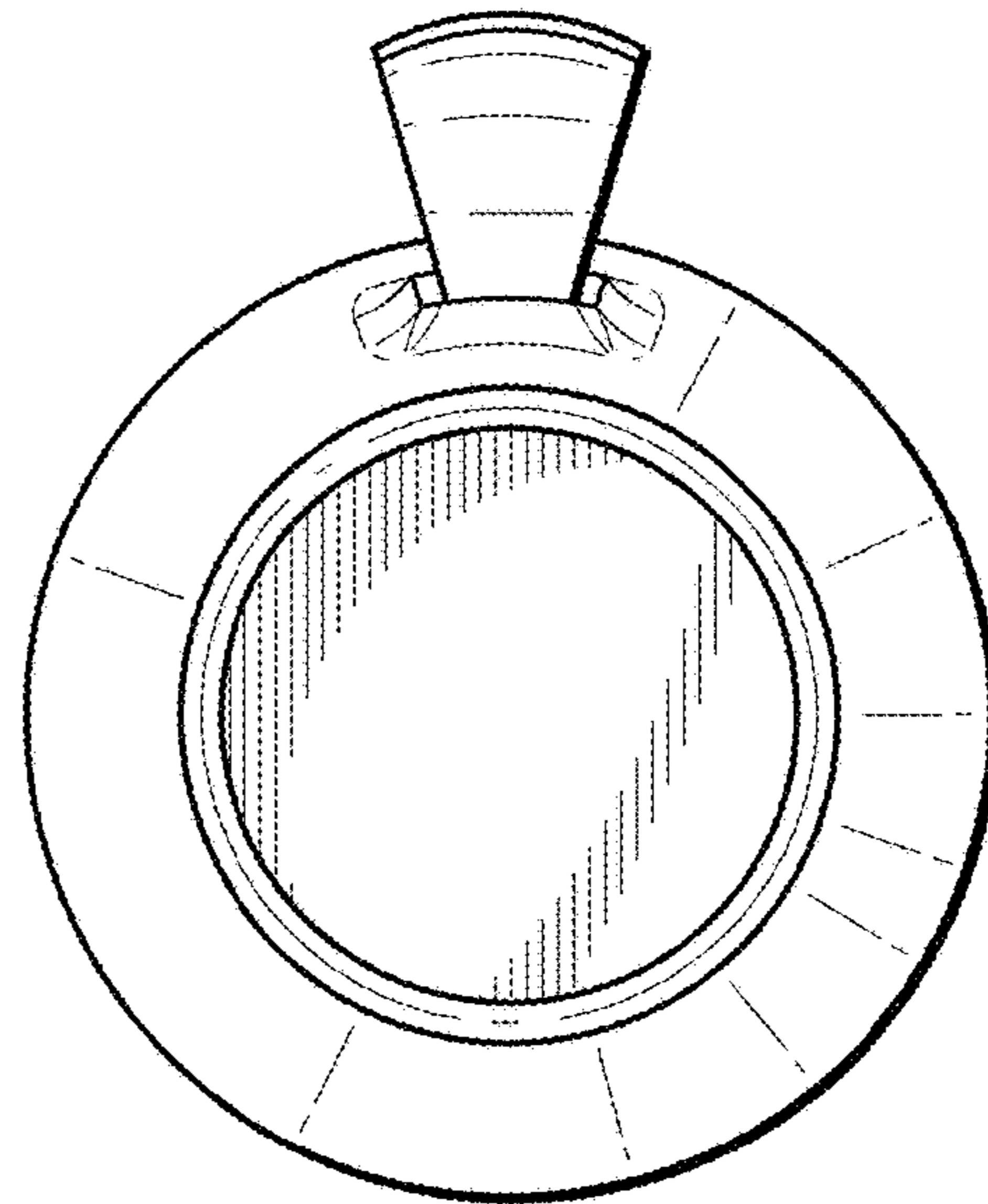


FIG. 6