



US00D801749S

(12) **United States Design Patent** (10) **Patent No.:** **US D801,749 S**
Wang et al. (45) **Date of Patent:** **** Nov. 7, 2017**

(54) **GRILLING APPARATUS**

(56) **References Cited**

(71) Applicant: **Thermacell Repellents, Inc.**, Bedford, MA (US)

U.S. PATENT DOCUMENTS

(72) Inventors: **Wender Wang**, Bedford, MA (US);
Steffen Koury, Everett, MA (US);
Brendan Crawford, Newton, MA (US); **Benjamin Hines**, Cranston, RI (US)

D68,133 S *	9/1925	Cooney	126/214 C
D369,061 S *	4/1996	Holbrook, Jr.	D7/408
D369,062 S *	4/1996	Holbrook, Jr.	D7/408
D378,262 S *	3/1997	Sparks	D7/408
D489,933 S *	5/2004	Rummel	D7/346
D554,945 S *	11/2007	Chung	D7/409
D564,838 S *	3/2008	Shin	D7/408
D578,823 S *	10/2008	Kim	D7/340
D602,738 S *	10/2009	Bengtson	D7/408
D628,017 S *	11/2010	Funnell	D7/408
D684,424 S *	6/2013	Funnell	D7/408
D703,484 S *	4/2014	Boo	D7/408
D722,820 S *	2/2015	Pionek	D7/408

(73) Assignee: **Thermacell Repellents, Inc.**, Bedford, MA (US)

(**) Term: **15 Years**

* cited by examiner

(21) Appl. No.: **29/572,310**

Primary Examiner — Ricky Pham

(22) Filed: **Jul. 27, 2016**

(74) *Attorney, Agent, or Firm* — Levisohn Berger LLP

(51) **LOC (10) Cl.** **07-02**

(57) **CLAIM**

(52) **U.S. Cl.**
USPC **D7/409**

The design for the grilling apparatus described in the Figures.

(58) **Field of Classification Search**
USPC D7/323, 332, 335-337, 340, 346,
D7/354-355, 359-364, 387-388, 402,
D7/407-409

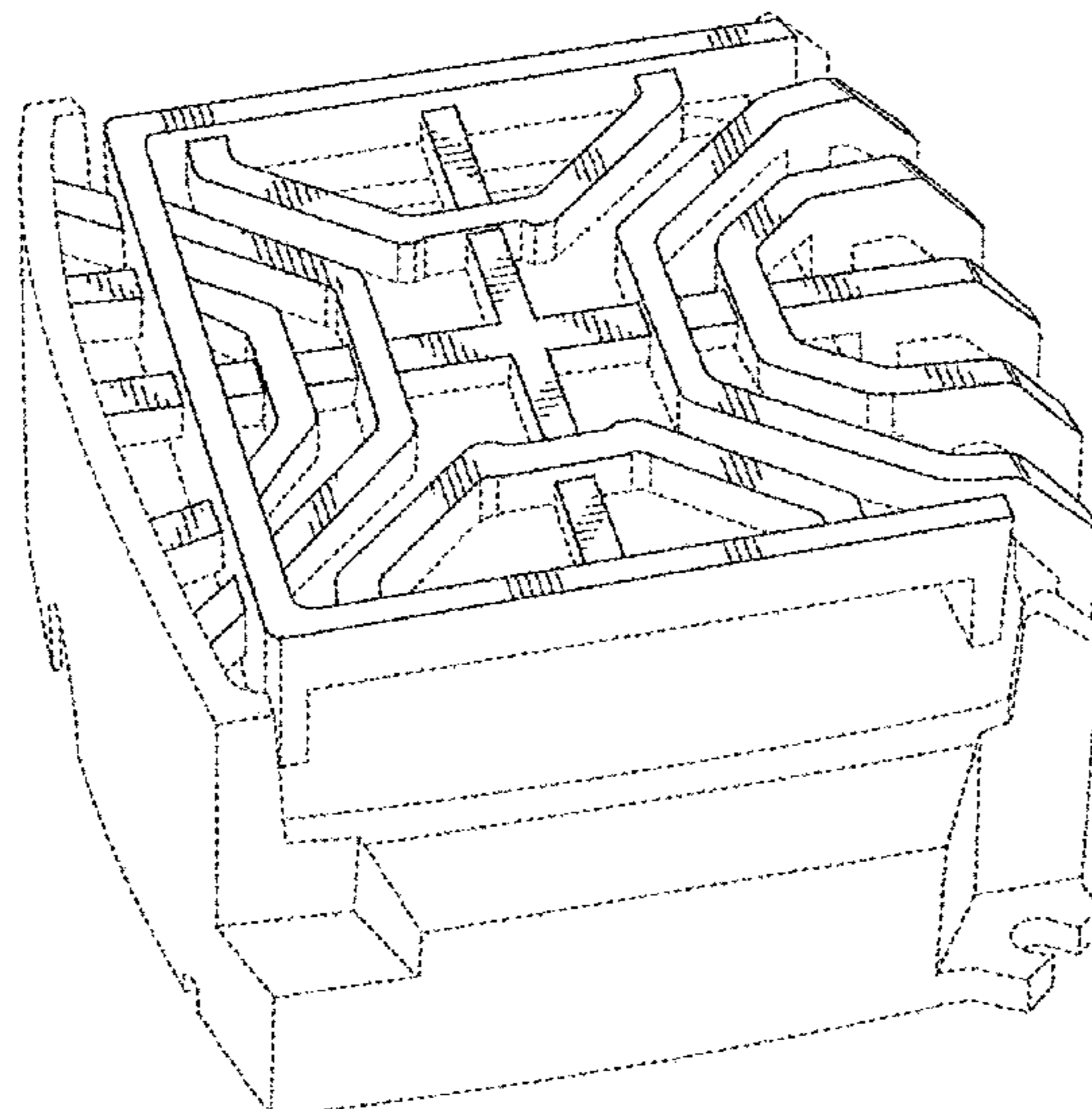
DESCRIPTION

CPC A21B 2/00; A21B 3/00; A21B 3/13; A21B 3/15; A21B 5/00; A21B 5/02; A23N 12/06; A23N 12/08; A23N 12/10; A47J 37/00; A47J 37/04; A47J 37/041; A47J 37/042; A47J 37/06; A47J 37/0688; A47J 37/0694; A47J 37/07; A47J 37/0704; A47J 37/10; A47J 47/20; A47J 2037/00; A47J 2037/06; A47J 2037/0611; A47J 2037/07; A47J 2037/0786; A47J 2037/0795; F24C 15/10; F24C 15/12; F24C 15/14; F24C 15/16; F24C 15/164; F24C 15/18

FIG. 1 is a top perspective view from the left side of this invention;
FIG. 2 is a top perspective view from the right side of this invention;
FIG. 3 is a front plan view;
FIG. 4 is a rear plan view;
FIG. 5 is a right side plan view;
FIG. 6 is a left side plan view;
FIG. 7 is a top plan view; and,
FIG. 8 is a bottom plan view of this invention.
The broken lines in the Figures are for illustrative purposes only and form no part of the claimed design.

See application file for complete search history.

1 Claim, 6 Drawing Sheets



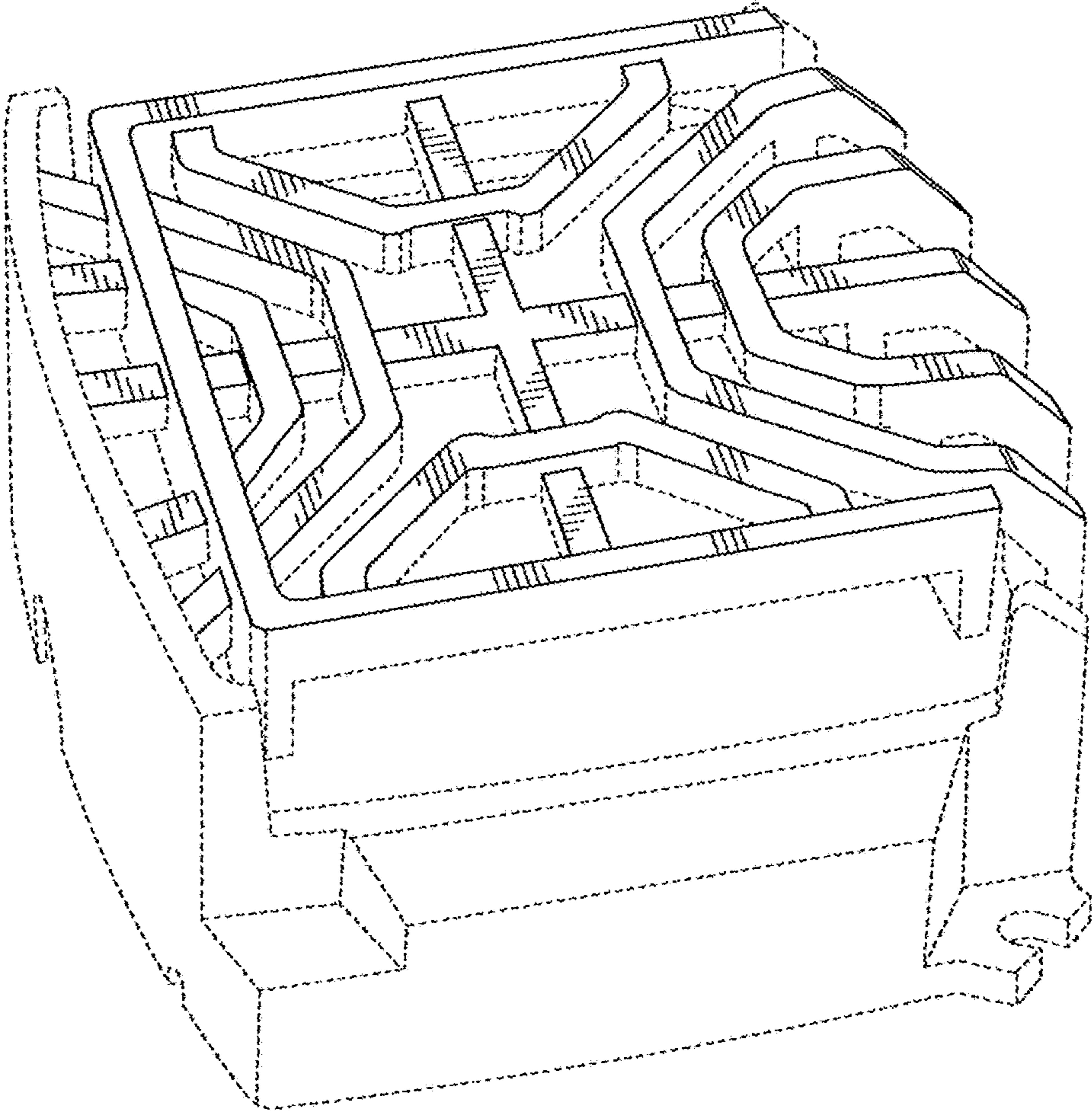


FIG. 1

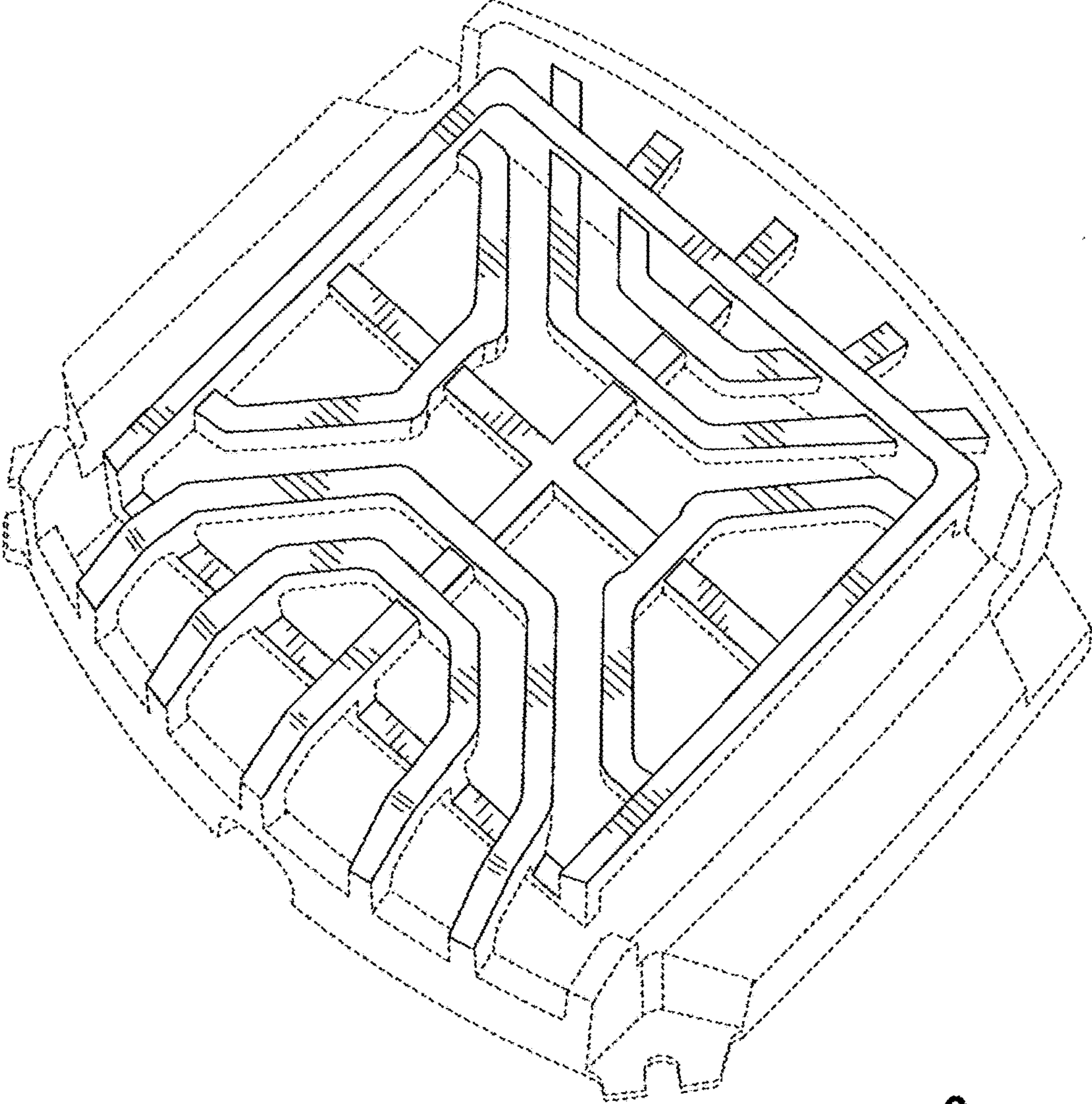


FIG. 2

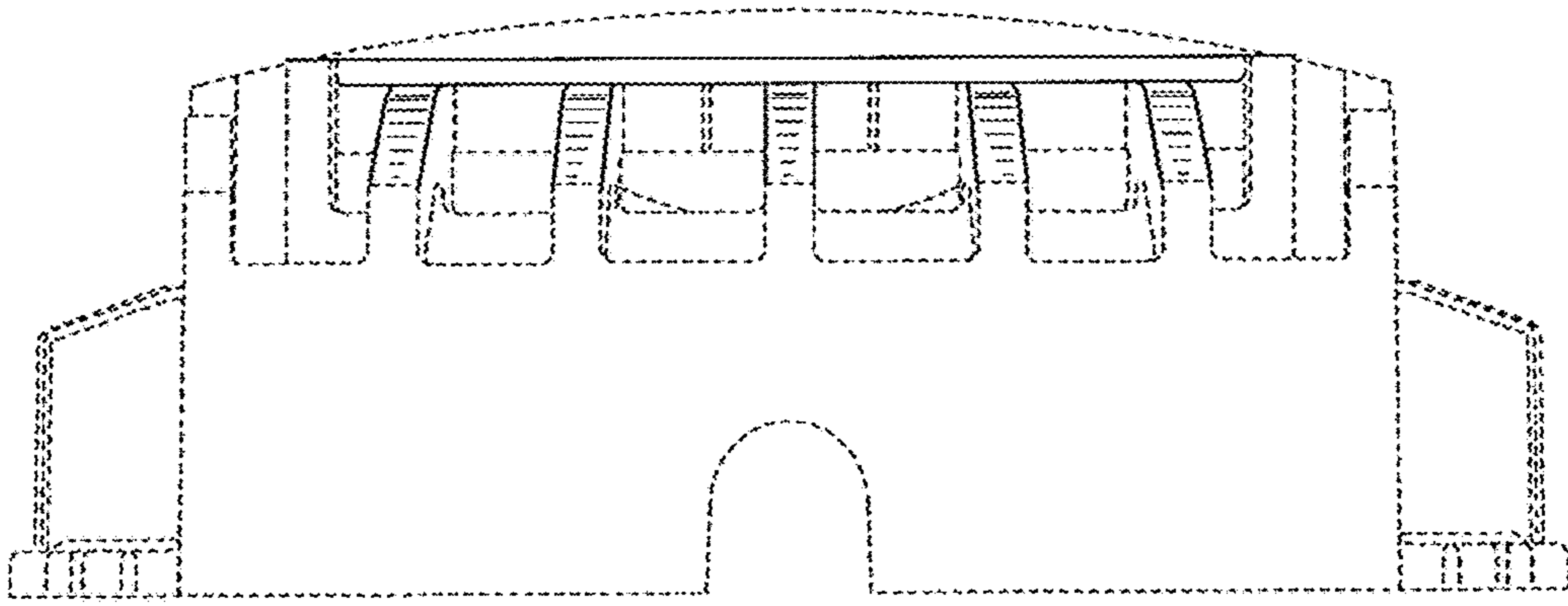


FIG. 3

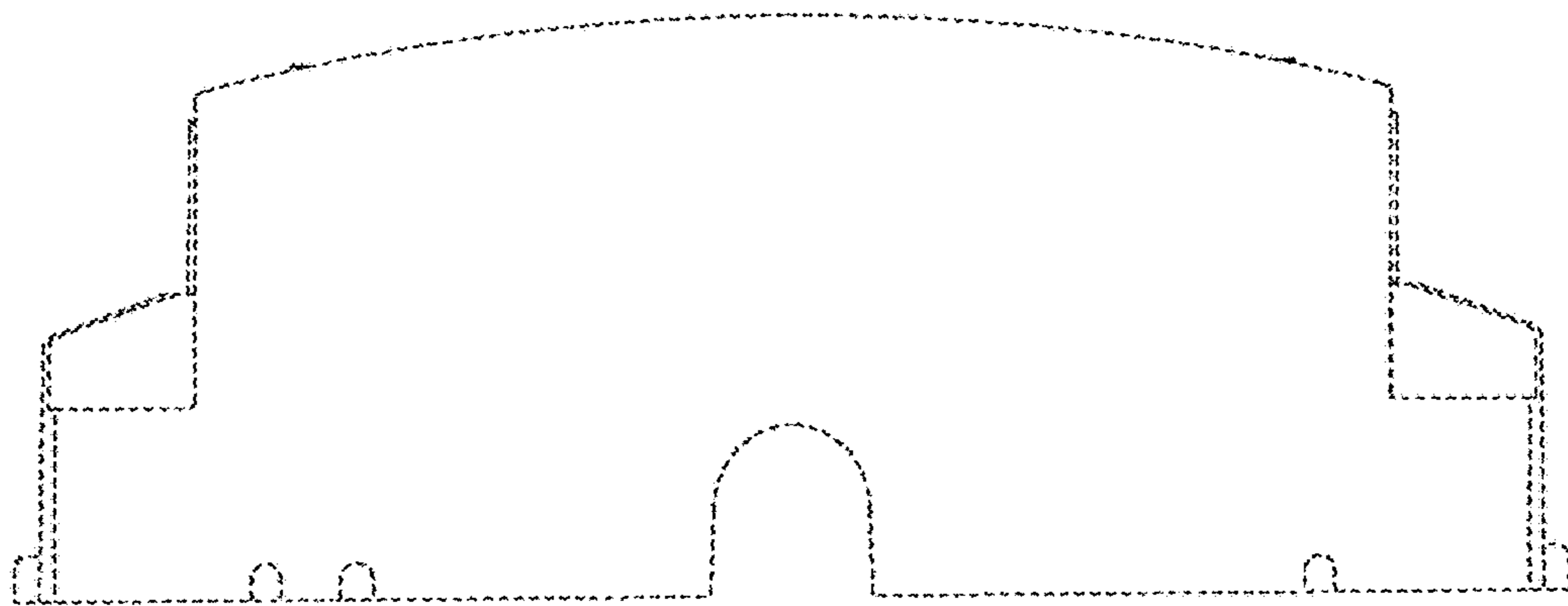


FIG. 4

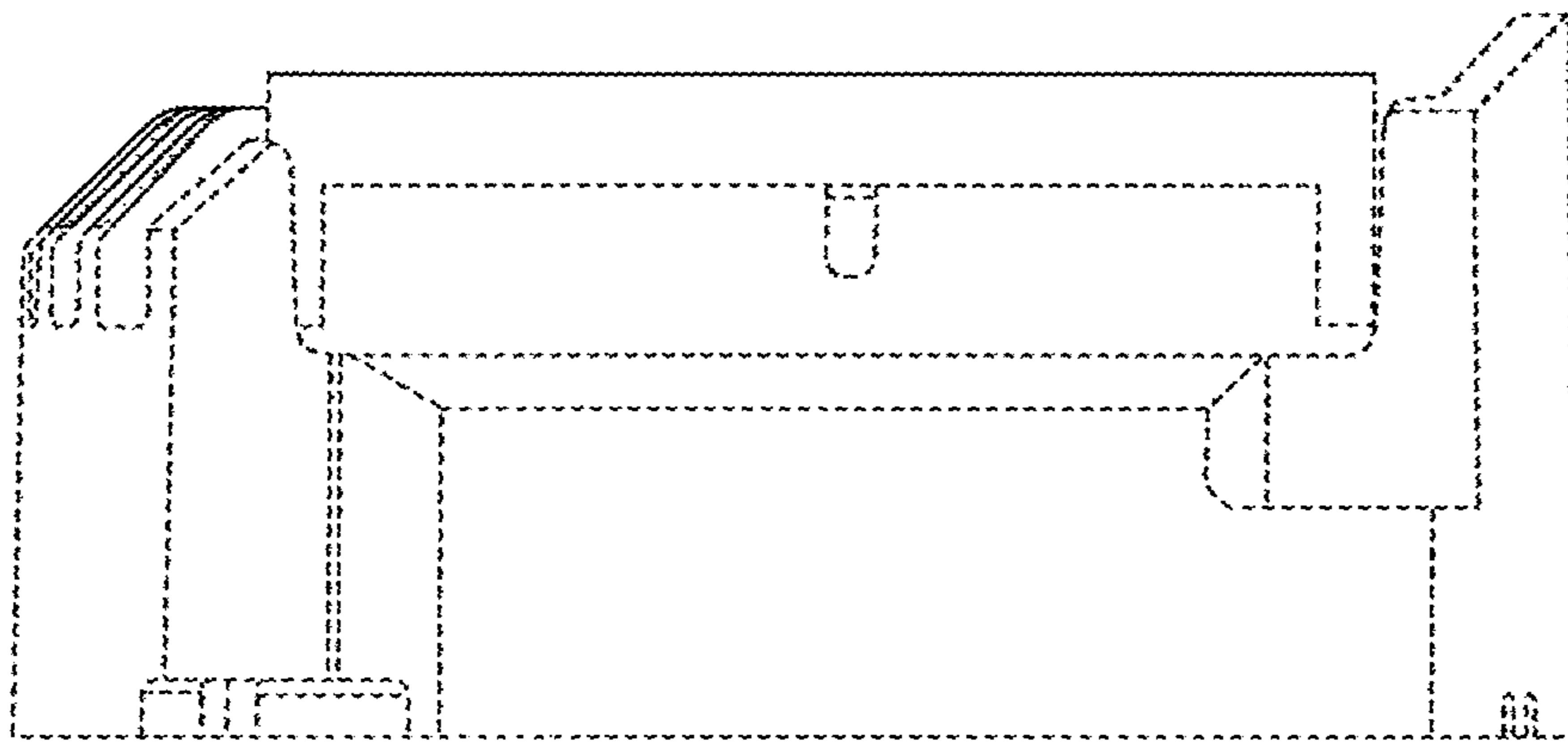


FIG. 5

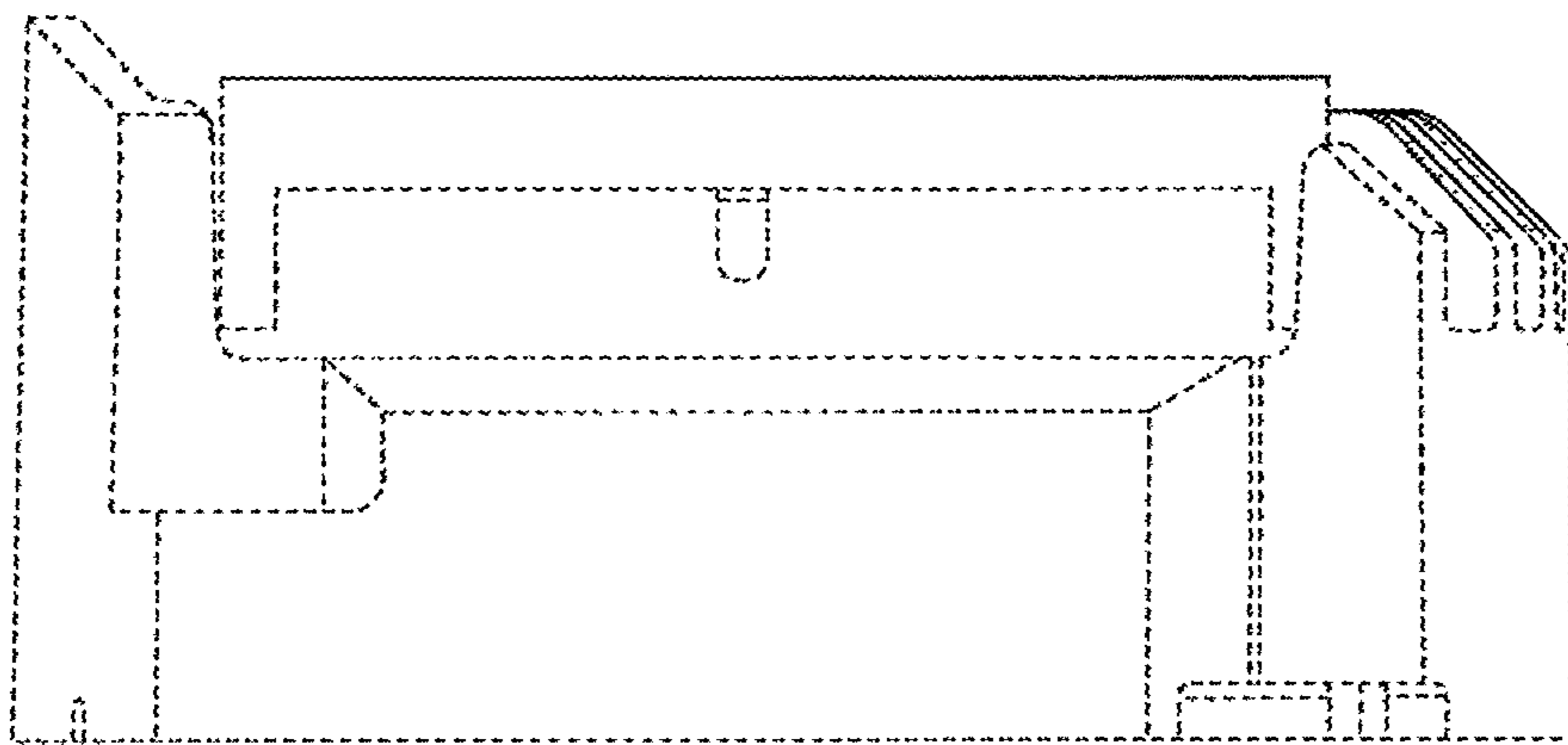


FIG. 6

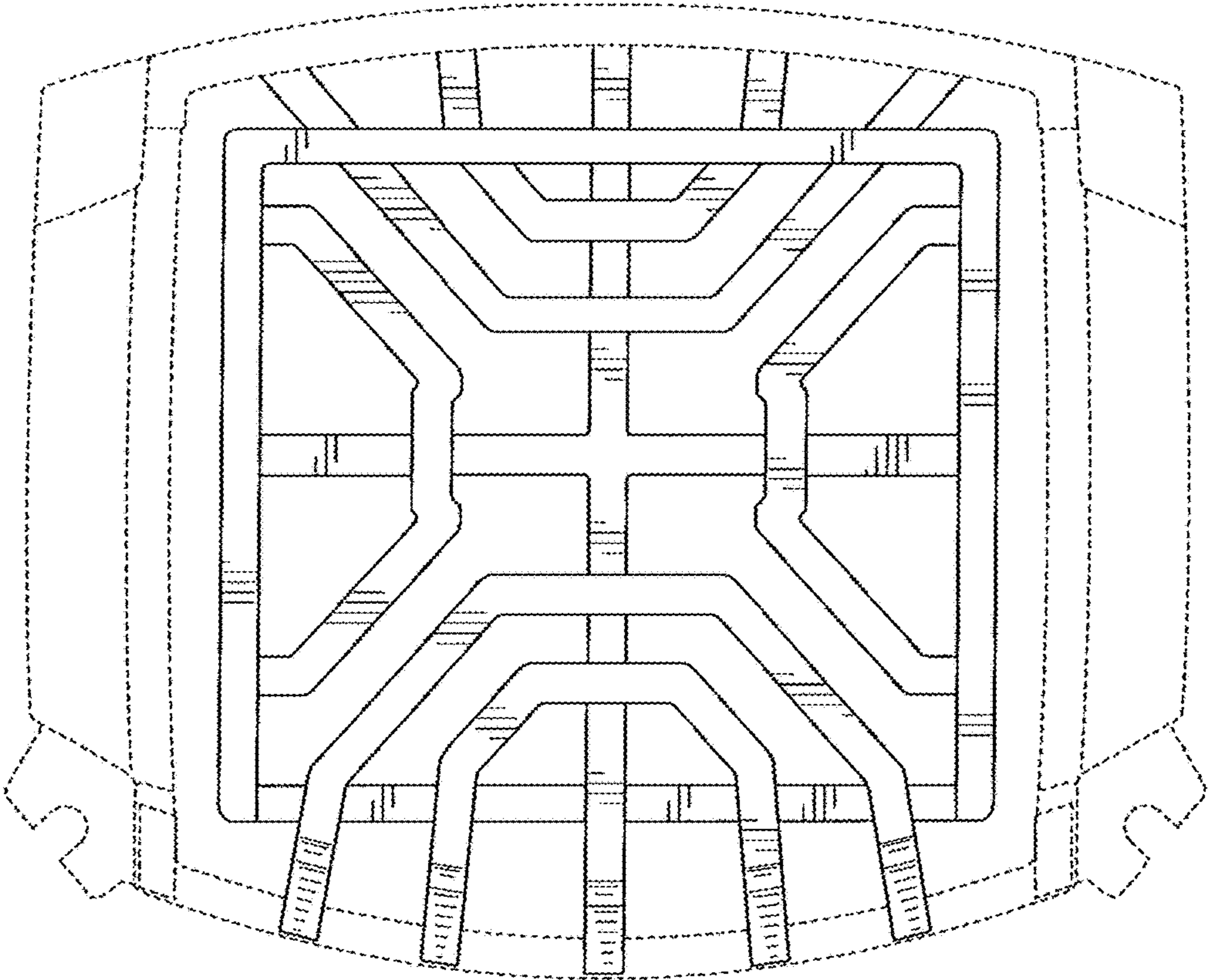


FIG. 7

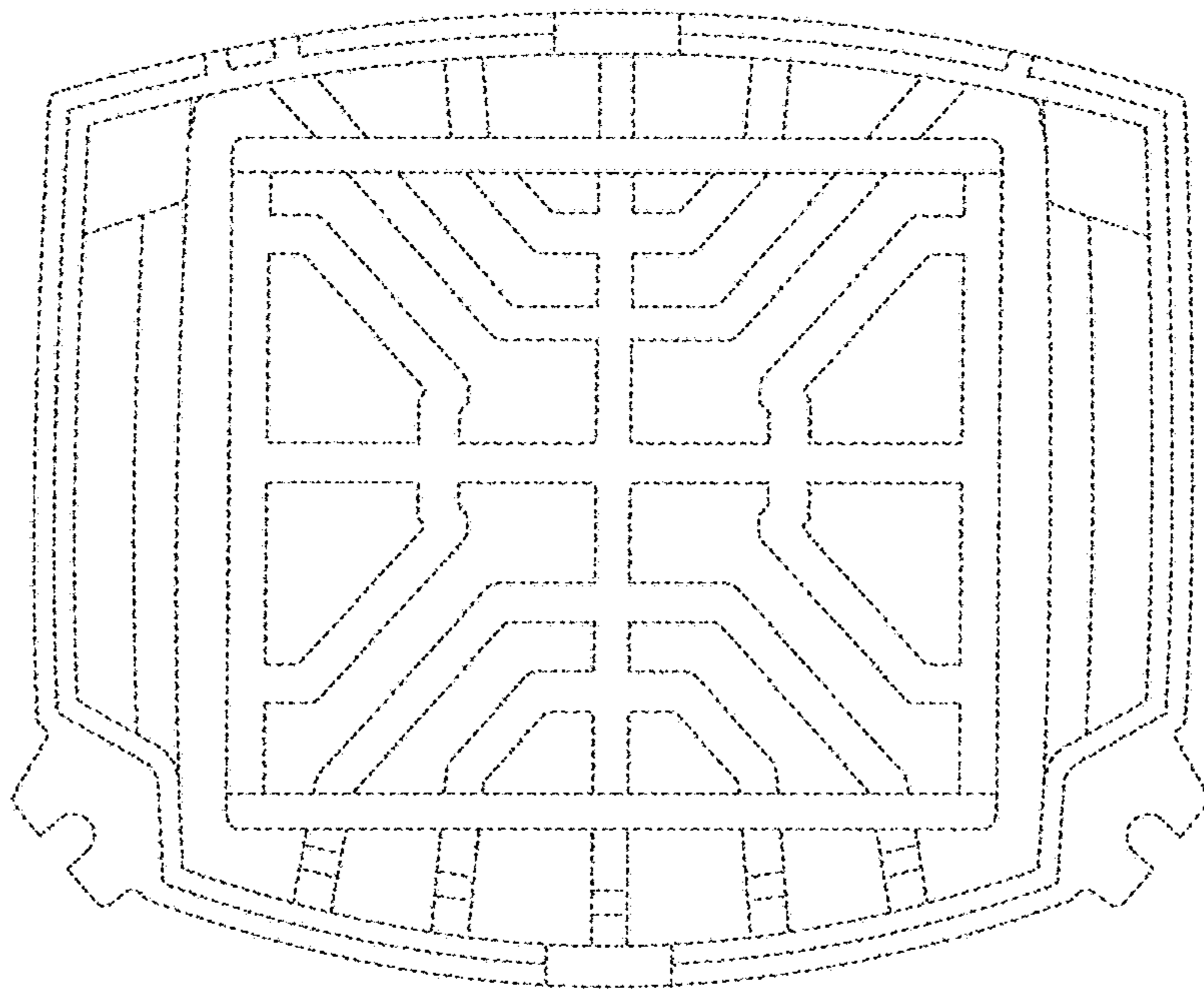


FIG. 8