



US00D801747S

(12) **United States Design Patent** (10) **Patent No.:** **US D801,747 S**
Hanneson et al. (45) **Date of Patent:** **** Nov. 7, 2017**

(54) **CAPSULE PROBE** D480,513 S * 10/2003 Fuller D28/77
6,863,073 B2 * 3/2005 D'Amico A61F 9/007
128/898
(71) Applicant: **2266170 Ontario Inc.**, Mississauga (CA) D536,138 S * 1/2007 Py D28/76
D536,925 S * 2/2007 Macler D7/387
(72) Inventors: **Scott Jeffrey Hanneson**, Mississauga (CA); **Thomas Joseph Pfeifer**, Louisville, KY (US) D552,798 S * 10/2007 Py D28/76
D581,212 S * 11/2008 Macler D7/397
7,985,207 B2 * 7/2011 Paganon A61B 10/0045
604/288.01
9,072,507 B2 * 7/2015 Okabe A61B 10/0275
(73) Assignee: **2266170 Ontario Inc.** (CA) 2007/0213631 A1 * 9/2007 Kondo A61B 10/06
600/562

(**) Term: **15 Years**

* cited by examiner

(21) Appl. No.: **29/552,290**

Primary Examiner — Marianne Pandozzi

(22) Filed: **Jan. 21, 2016**

(74) Attorney, Agent, or Firm — Saidman DesignLaw Group, LLC

(30) **Foreign Application Priority Data**

Jul. 22, 2015 (CA) 163476

(51) **LOC (10) Cl.** **07-01**

(52) **U.S. Cl.**
USPC **D7/397**; D7/399; D28/88; D28/7

(58) **Field of Classification Search**
USPC D7/397, 683, 669, 399, 400; D28/57, 59,
D28/88, 7, 76; D24/114
CPC A61M 25/0693; A61B 10/0275; A61B
10/0045

See application file for complete search history.

(56) **References Cited**

U.S. PATENT DOCUMENTS

D271,050 S * 10/1983 Berkman D28/77
D280,451 S * 9/1985 Bakic D28/88
D285,730 S * 9/1986 Bulwick D19/901
4,651,753 A * 3/1987 Lifton A61B 10/04
600/564
5,014,708 A * 5/1991 Hayashi G01T 1/161
600/105
D473,974 S * 4/2003 Fuller D28/77

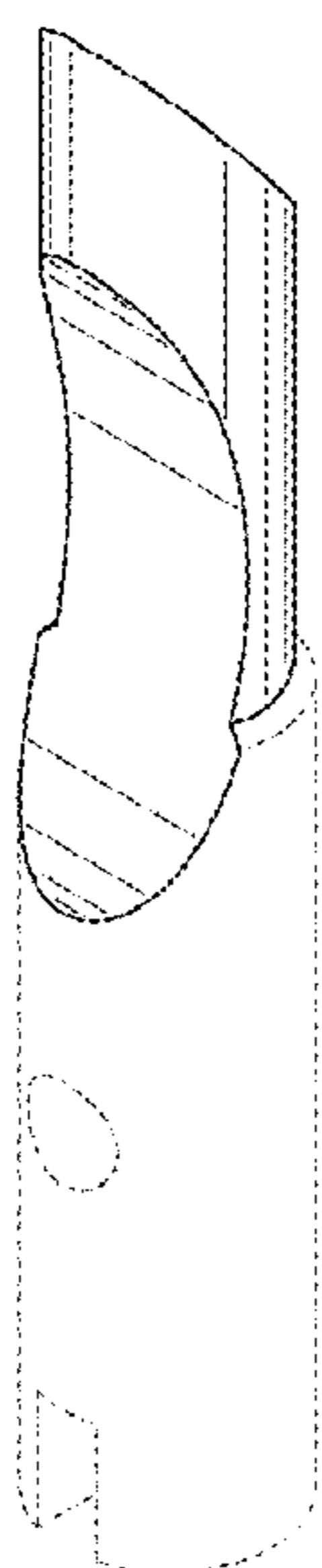
(57) **CLAIM**

The ornamental design for a capsule probe, as shown and described.

DESCRIPTION

FIG. 1 is a front perspective view of a capsule probe showing our new design;
FIG. 2 is a rear perspective view thereof;
FIG. 3 is a front view thereof;
FIG. 4 is a rear view thereof;
FIG. 5 is a left side view thereof;
FIG. 6 is a right side view thereof;
FIG. 7 is a top view thereof; and,
FIG. 8 is a bottom view thereof.
The drawings include surface shading that represents contour and not surface ornamentation.
The broken lines in the drawing depict portions of the capsule probe that form no part of the claimed design.

1 Claim, 4 Drawing Sheets



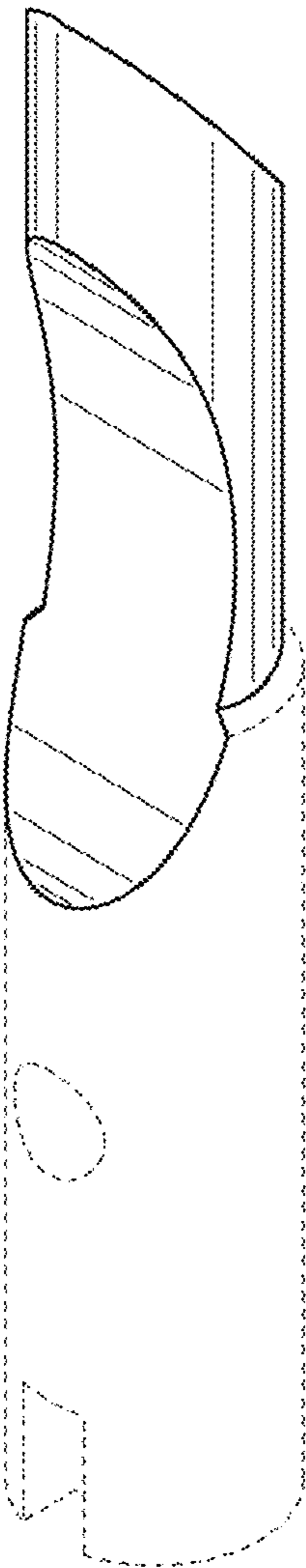


FIG. 1

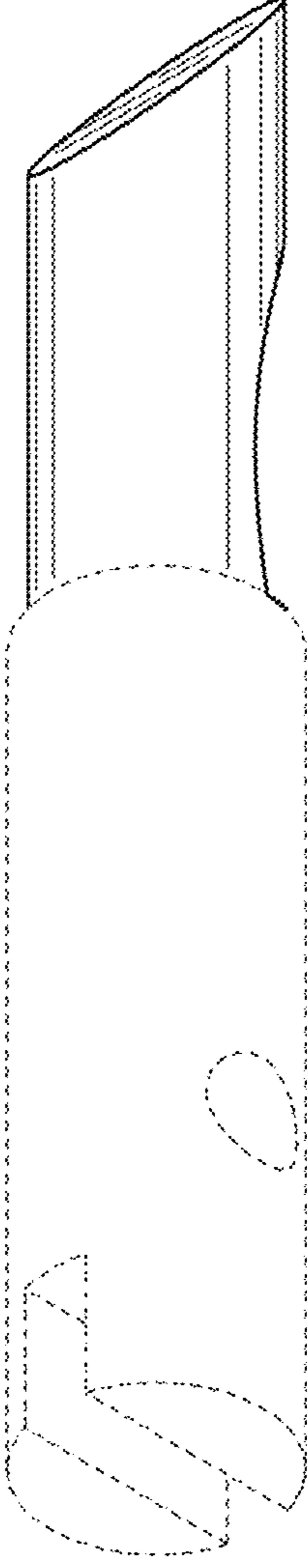


FIG. 2

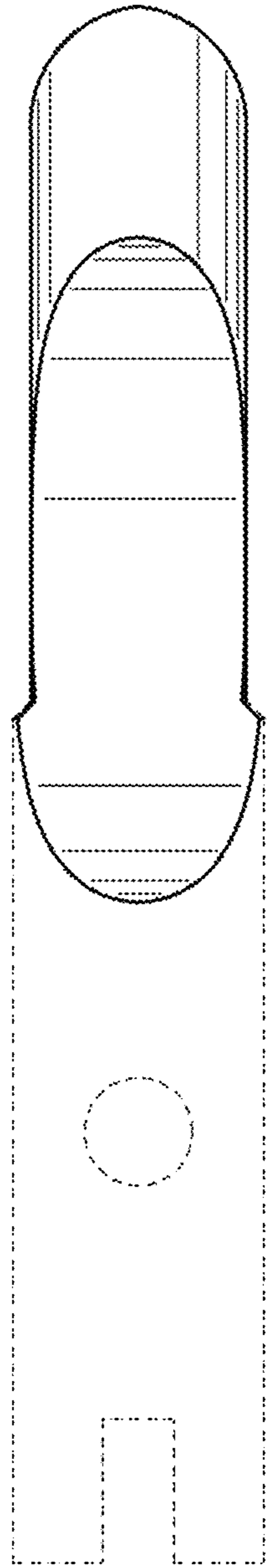


FIG. 3

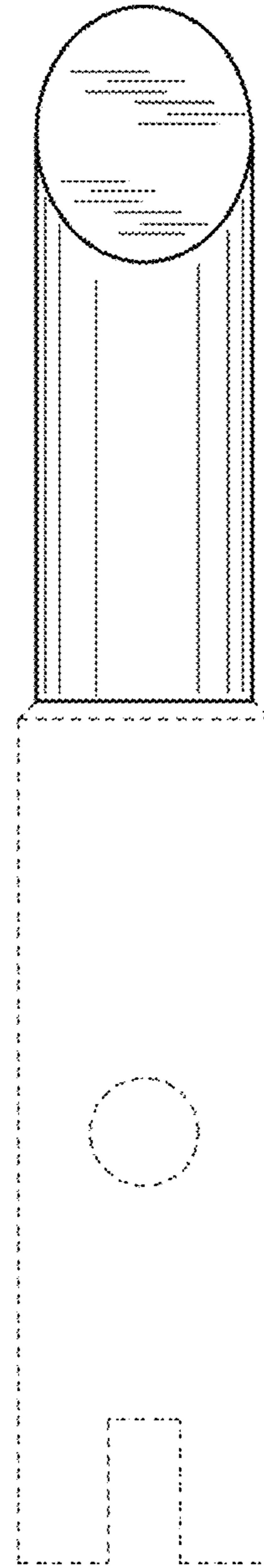


FIG. 4

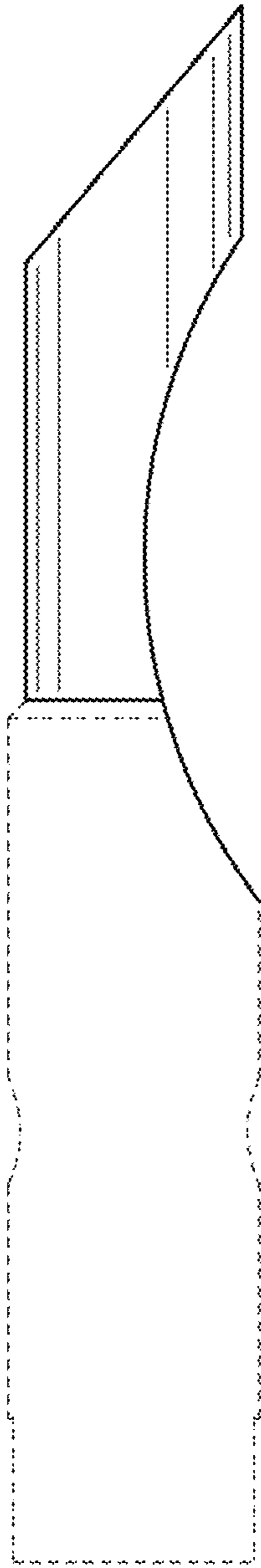


FIG. 5

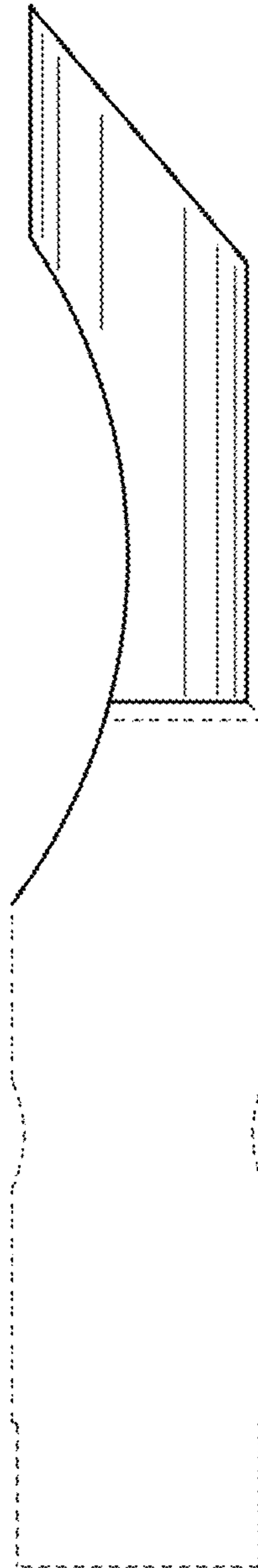


FIG. 6

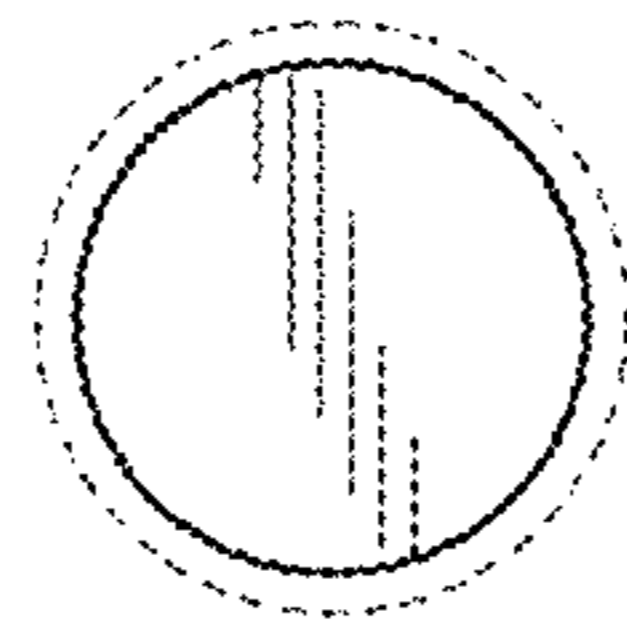


FIG. 7

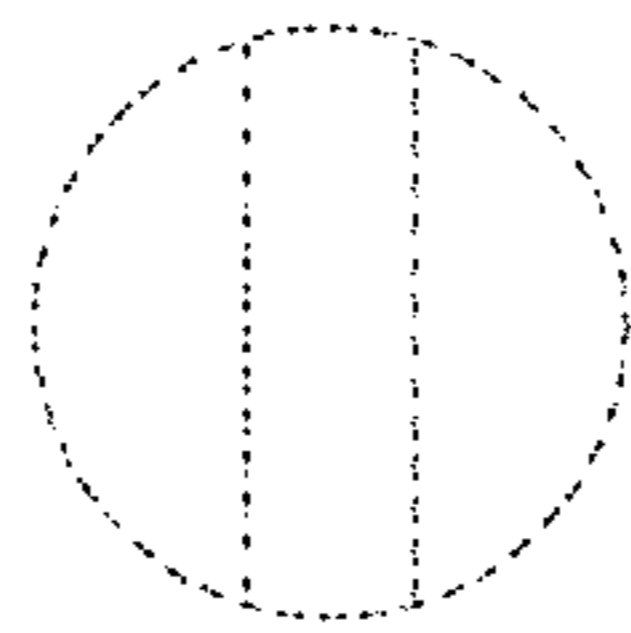


FIG. 8