

US00D801746S

(12) **United States Design Patent** (10) **Patent No.:** **US D801,746 S**  
**Thuma et al.** (45) **Date of Patent:** **\*\* Nov. 7, 2017**

- (54) **TUMBLER LID**
- (71) Applicant: **Sovaro Coolers, LLC**, Roswell, GA (US)
- (72) Inventors: **Michael Thuma**, La Grange, IL (US); **Torrence Anderson**, Overland Park, KS (US); **Michael R. Vogler**, Oswego, IL (US)
- (73) Assignee: **Sovaro Coolers, LLC**, Roswell, GA (US)
- (\*\*) Term: **15 Years**
- (21) Appl. No.: **29/586,265**
- (22) Filed: **Dec. 1, 2016**

D625,951 S \* 10/2010 Baek ..... D7/396.2  
 7,845,510 B2 \* 12/2010 Schmidtner ..... B65D 43/0208  
 220/254.9  
 D666,052 S \* 8/2012 Trombly ..... D7/392.1  
 D673,807 S \* 1/2013 Grider ..... D7/391  
 D744,280 S \* 12/2015 Chiang ..... D7/510  
 D751,341 S \* 3/2016 Seiders ..... D7/396.2

(Continued)

**OTHER PUBLICATIONS**

“Ello Cole Vacuum Insulated Stainless Steel Travel Mug”. Found online May 25, 2017 at amazon.com. Page dated Aug. 18, 2016. Retrieved from [https://www.amazon.com/Ello-Vacuum-Insulated-Stainless-Steel-Travel/dp/B01FWNIB8M/ref=cm\\_cr\\_ar\\_p\\_d\\_product\\_top?ie=UTF8](https://www.amazon.com/Ello-Vacuum-Insulated-Stainless-Steel-Travel/dp/B01FWNIB8M/ref=cm_cr_ar_p_d_product_top?ie=UTF8).\*

(Continued)

*Primary Examiner* — Robert M Spear  
*Assistant Examiner* — Kendra L Hamilton  
 (74) *Attorney, Agent, or Firm* — McHale & Slavin, P.A.

**Related U.S. Application Data**

- (63) Continuation of application No. 29/570,942, filed on Jul. 13, 2016.
- (51) **LOC (10) Cl.** ..... **07-01**
- (52) **U.S. Cl.**  
USPC ..... **D7/392.1**
- (58) **Field of Classification Search**  
USPC ..... D7/391, 392, 392.1, 396.1, 396.2, 397, D7/398, 509, 510, 511, 543; D9/435, D9/436, 438, 447, 449, 450; D10/46.2, D10/46.3  
CPC ..... B65D 51/18  
See application file for complete search history.

**CLAIM**

(57) The ornamental design for a tumbler lid, as shown and described.

**DESCRIPTION**

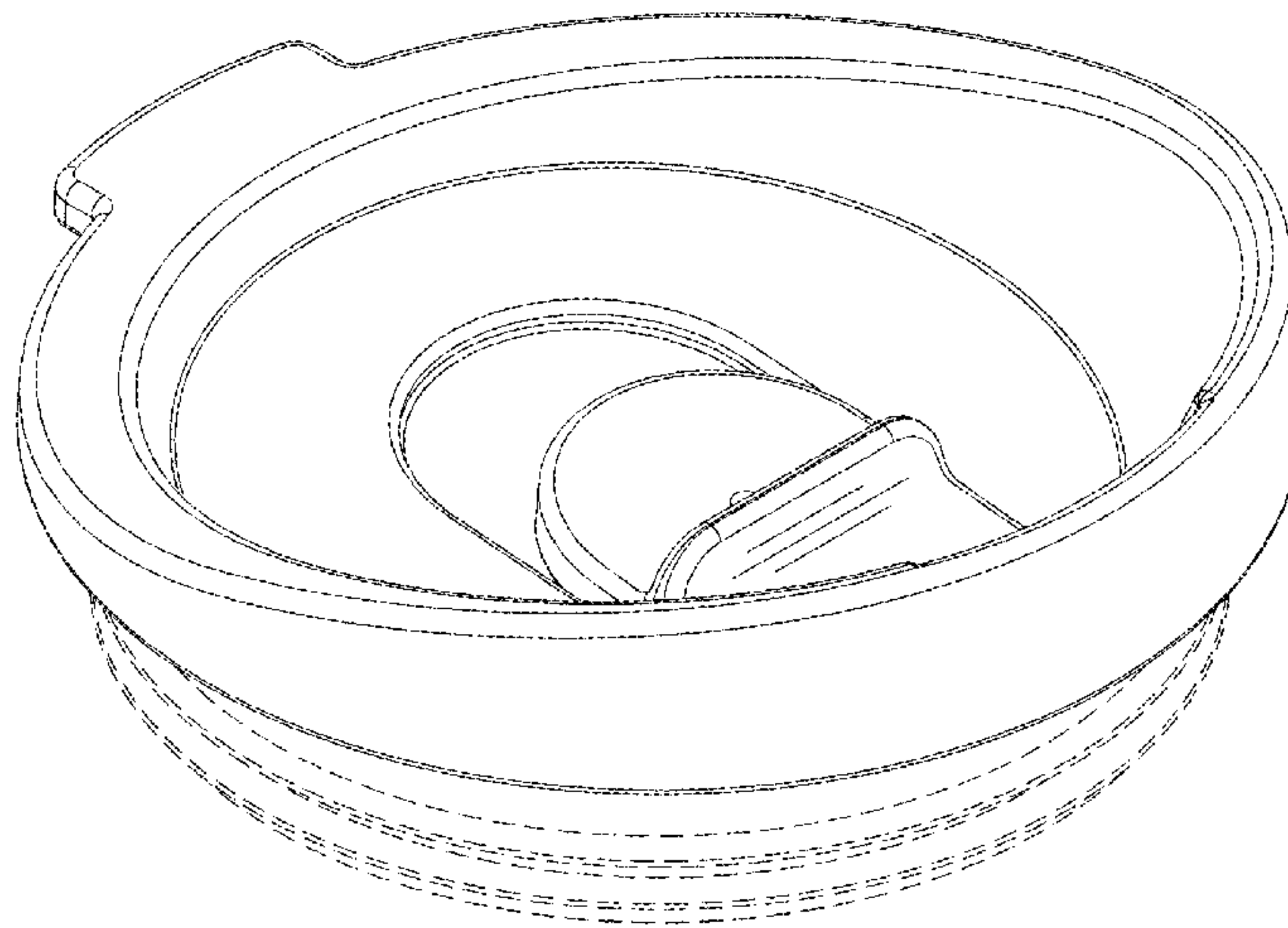
FIG. 1 is a top left isometric view of the tumbler lid of the present invention;  
 FIG. 2 is a top right isometric view thereof;  
 FIG. 3 is a bottom left isometric view thereof;  
 FIG. 4 is a bottom right isometric view thereof;  
 FIG. 5 is a top view thereof;  
 FIG. 6 is a bottom view thereof;  
 FIG. 7 is a left side view thereof;  
 FIG. 8 is a right side view thereof;  
 FIG. 9 is a front view thereof; and,  
 FIG. 10 is a rear view thereof.  
 The portions of the tumbler lid illustrated in broken lines form no part of the claim.

**References Cited**

**U.S. PATENT DOCUMENTS**

D486,996 S \* 2/2004 Karp ..... D7/510  
 6,752,287 B1 \* 6/2004 Lin ..... A47G 19/2272  
 220/254.9  
 D536,213 S \* 2/2007 Schuler ..... D7/392.1  
 D583,191 S \* 12/2008 Wong ..... D7/392.1  
 D604,102 S \* 11/2009 Pearson ..... D7/510

**1 Claim, 10 Drawing Sheets**



(56)

**References Cited**

U.S. PATENT DOCUMENTS

D758,792 S \* 6/2016 Karussi ..... D7/392.1  
2017/0101230 A1 \* 4/2017 Sato ..... B65D 43/20

OTHER PUBLICATIONS

“Cupture Insulated Double Wall Upside Down Beer Glass Tumbler with Slider Lid”. Found online Mar. 9, 2017 at amazon.com. Page dated Mar. 25, 2014. Retrieved from [https://www.amazon.com/...8&pd\\_rd\\_i=B00J8DSQ06&pd\\_rd\\_](https://www.amazon.com/...8&pd_rd_i=B00J8DSQ06&pd_rd_)

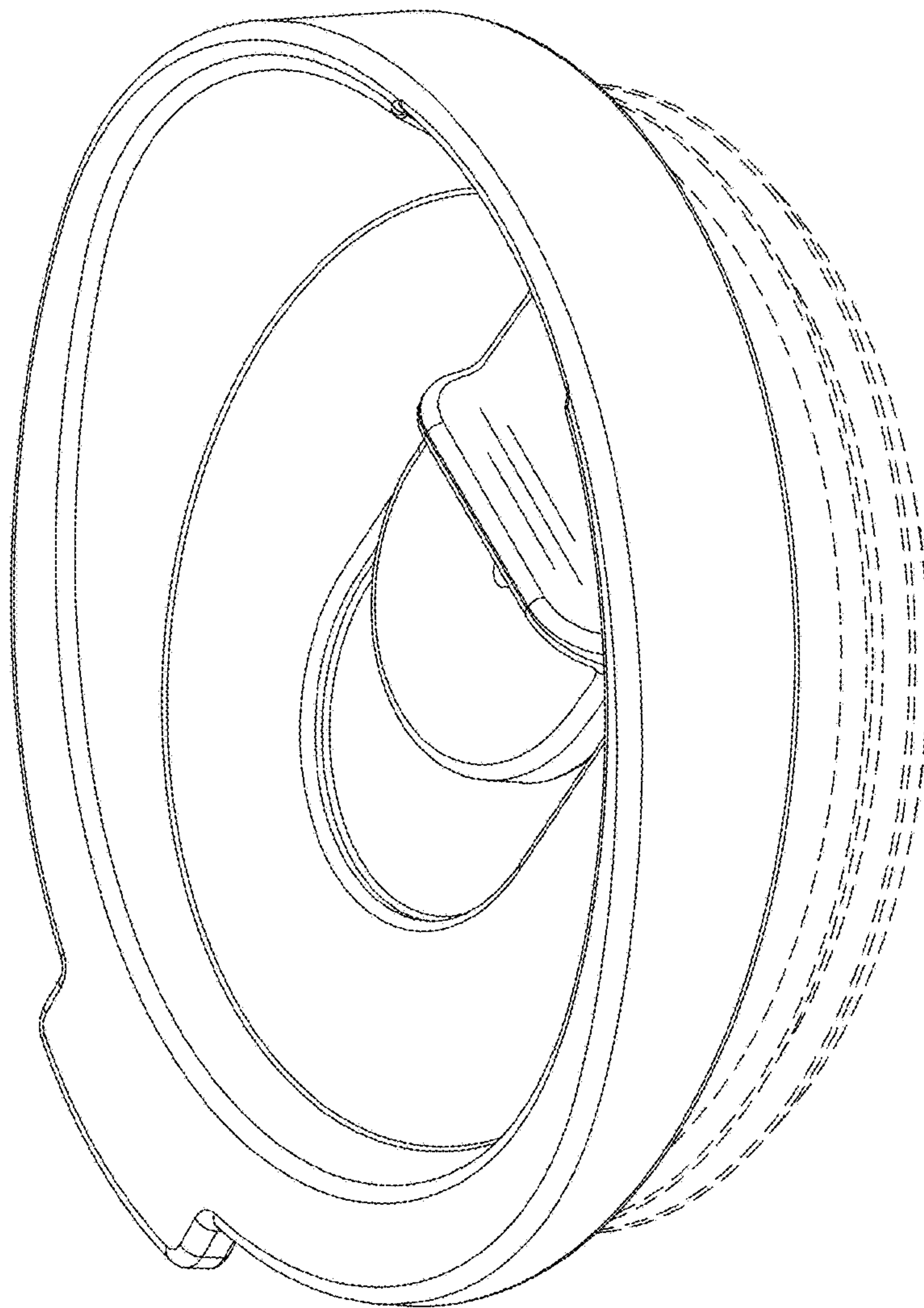
[r=WWWMRQWJ41N4T7ZYM0KY&pd\\_rd\\_w=tTy7G&pd\\_rd\\_wg=onZBL&psc=1&refRID=WWWMRQWJ41N4T7ZYM0KY](https://www.amazon.com/...8&pd_rd_i=B00J8DSQ06&pd_rd_w=tTy7G&pd_rd_wg=onZBL&psc=1&refRID=WWWMRQWJ41N4T7ZYM0KY).\*

“Tervis Travel Lid”. Found online Mar. 9, 2017 at amazon.com. Page dated May 1, 2007. Retrieved from [https://www.amazon.com/...TF8&pd\\_rd\\_i=B001GA5CHY&pd\\_rd\\_](https://www.amazon.com/...TF8&pd_rd_i=B001GA5CHY&pd_rd_)

[r=R7WYKXRM81PYFM88FDKM&pd\\_rd\\_w=c9i35&pd\\_rd\\_wg=PuwEb&refRID=R7WYKXRM81PYFM88FDKM&th=1](https://www.amazon.com/...TF8&pd_rd_i=B001GA5CHY&pd_rd_w=c9i35&pd_rd_wg=PuwEb&refRID=R7WYKXRM81PYFM88FDKM&th=1).\*

“Colorful PoPo Tumbler Lid”. Found online Mar. 9, 2017 at amazon.com. Page dated Jul. 11, 2016. Retrieved from [https://www.amazon.com/...r-Yeti-Rambler-Lowball-Tumblers/dp/B01I90QJSO/ref=sr\\_1\\_7?ie=UTF8&qid=1489082482&sr=8-7&keywords=tumbler+lid&refinements=p\\_72%3A2661621011](https://www.amazon.com/...r-Yeti-Rambler-Lowball-Tumblers/dp/B01I90QJSO/ref=sr_1_7?ie=UTF8&qid=1489082482&sr=8-7&keywords=tumbler+lid&refinements=p_72%3A2661621011).\*

\* cited by examiner



*Fig. 1*

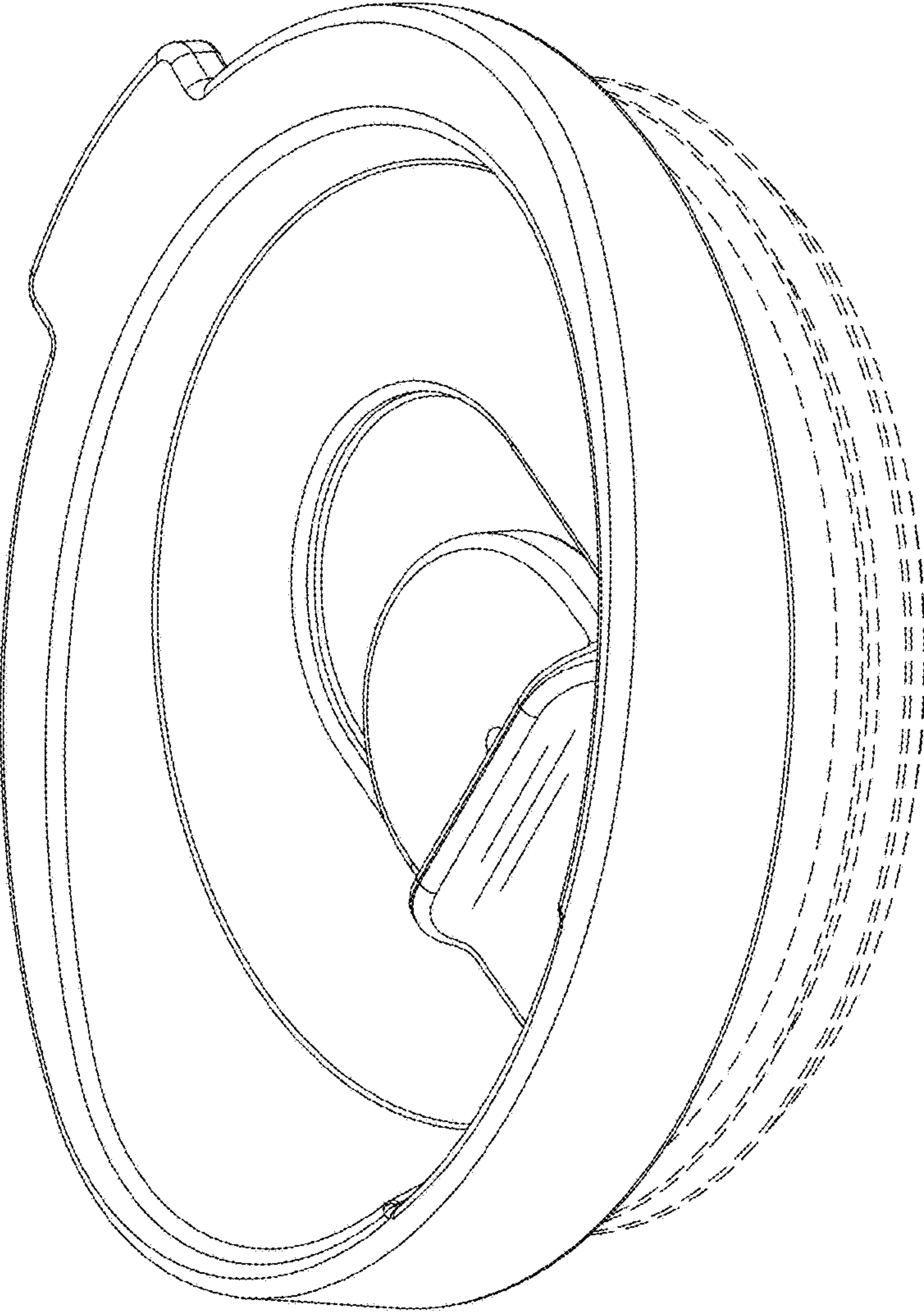


Fig. 2



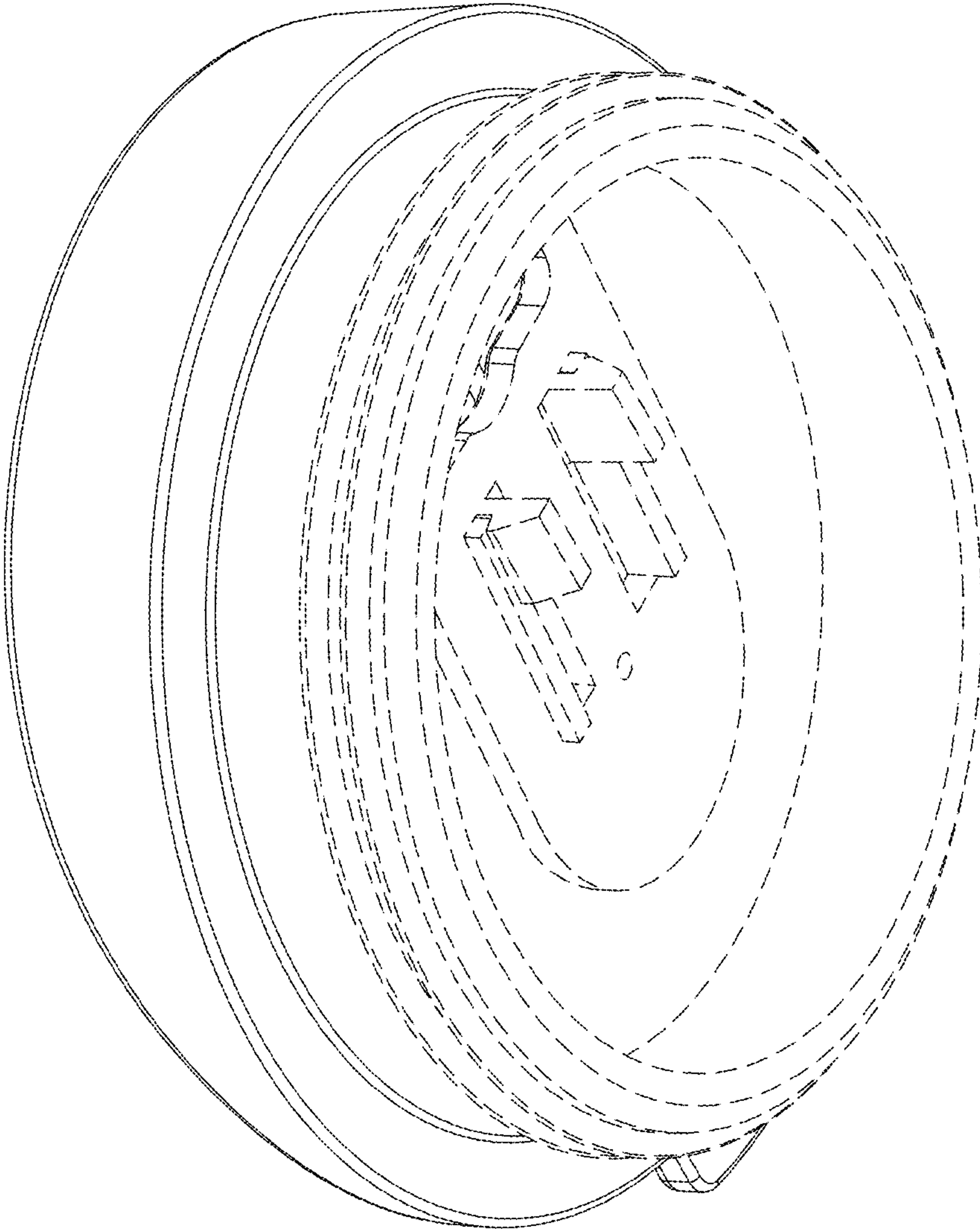
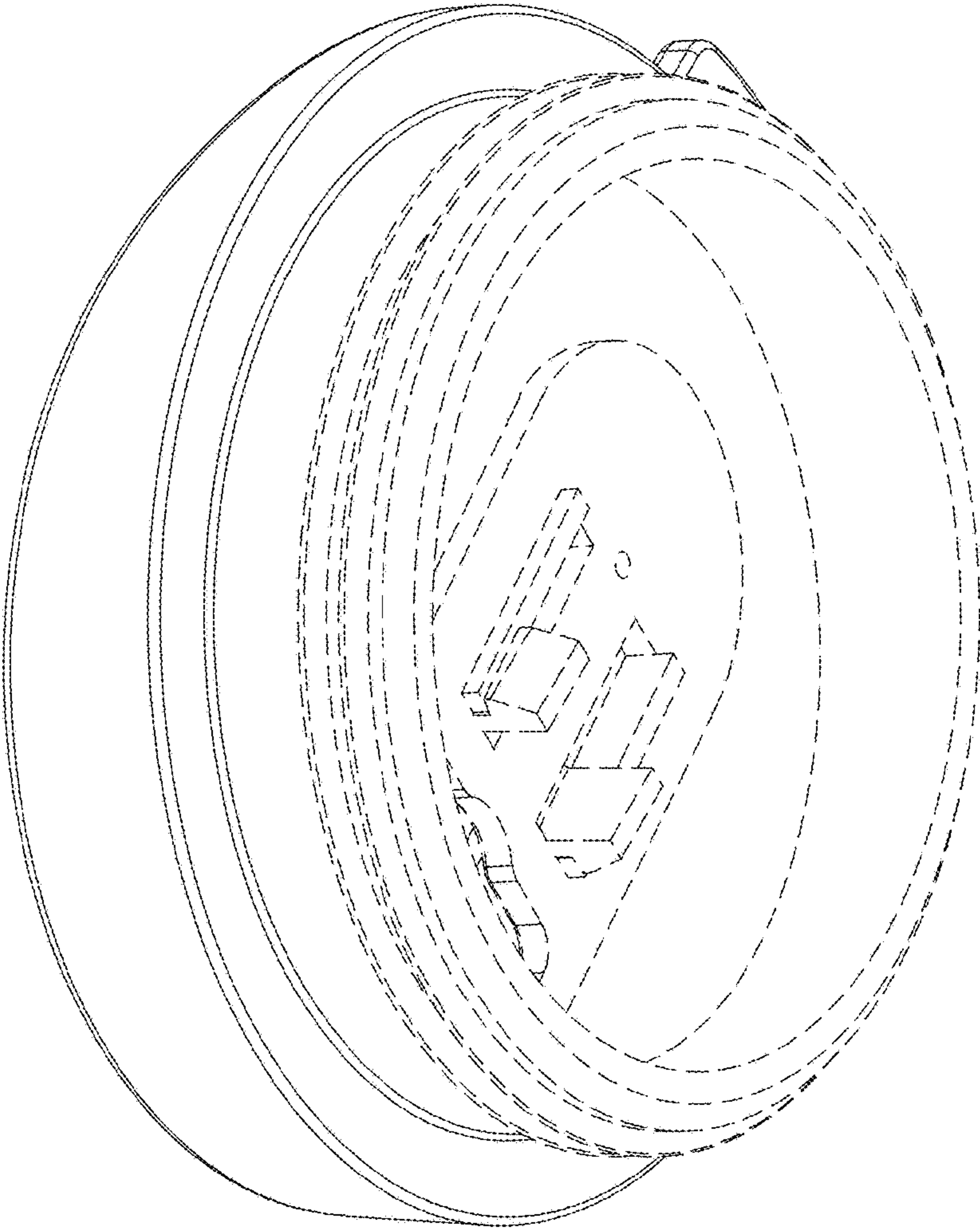
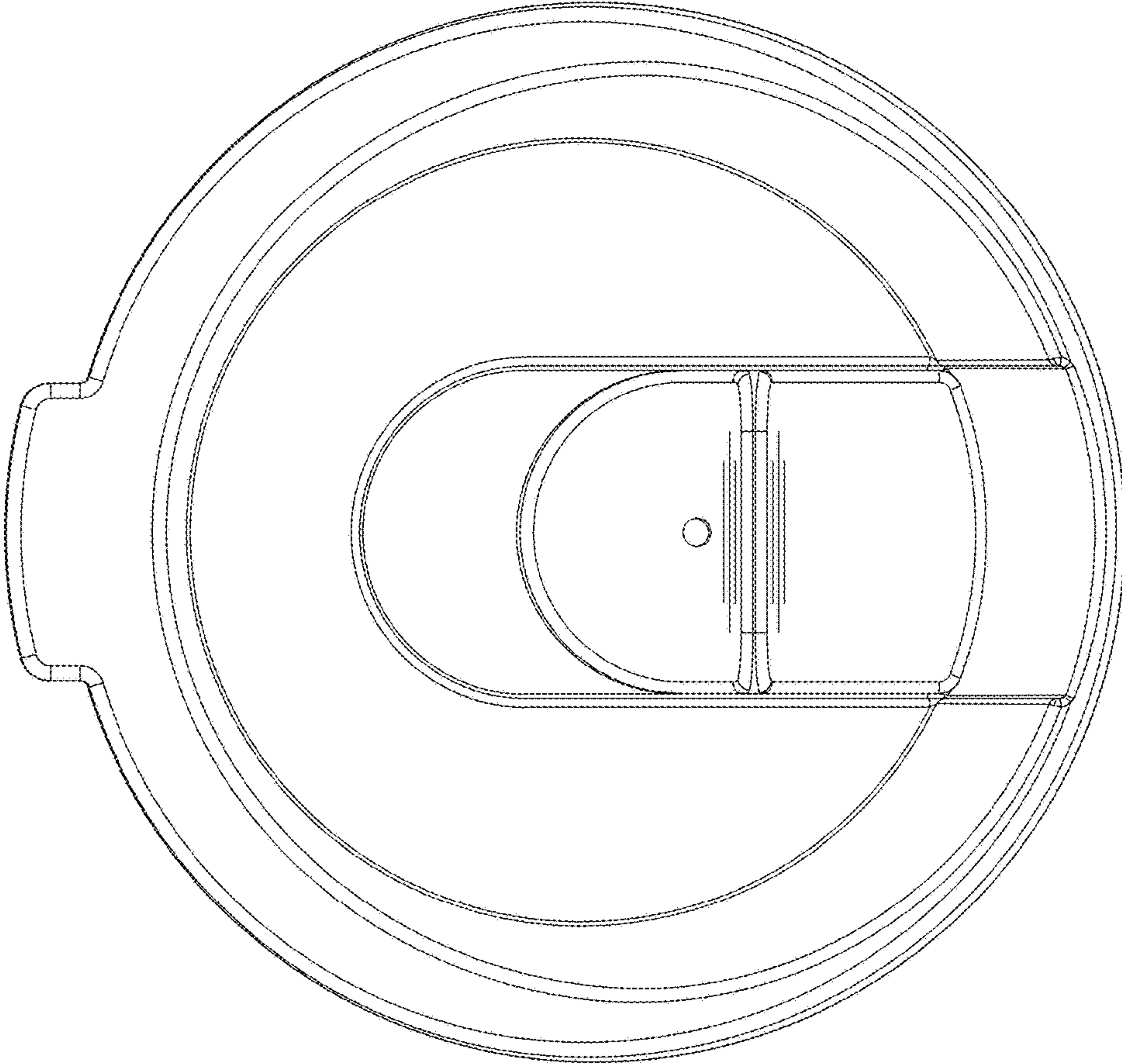


Fig. 3



*Fig. 4*



*Fig. 5*

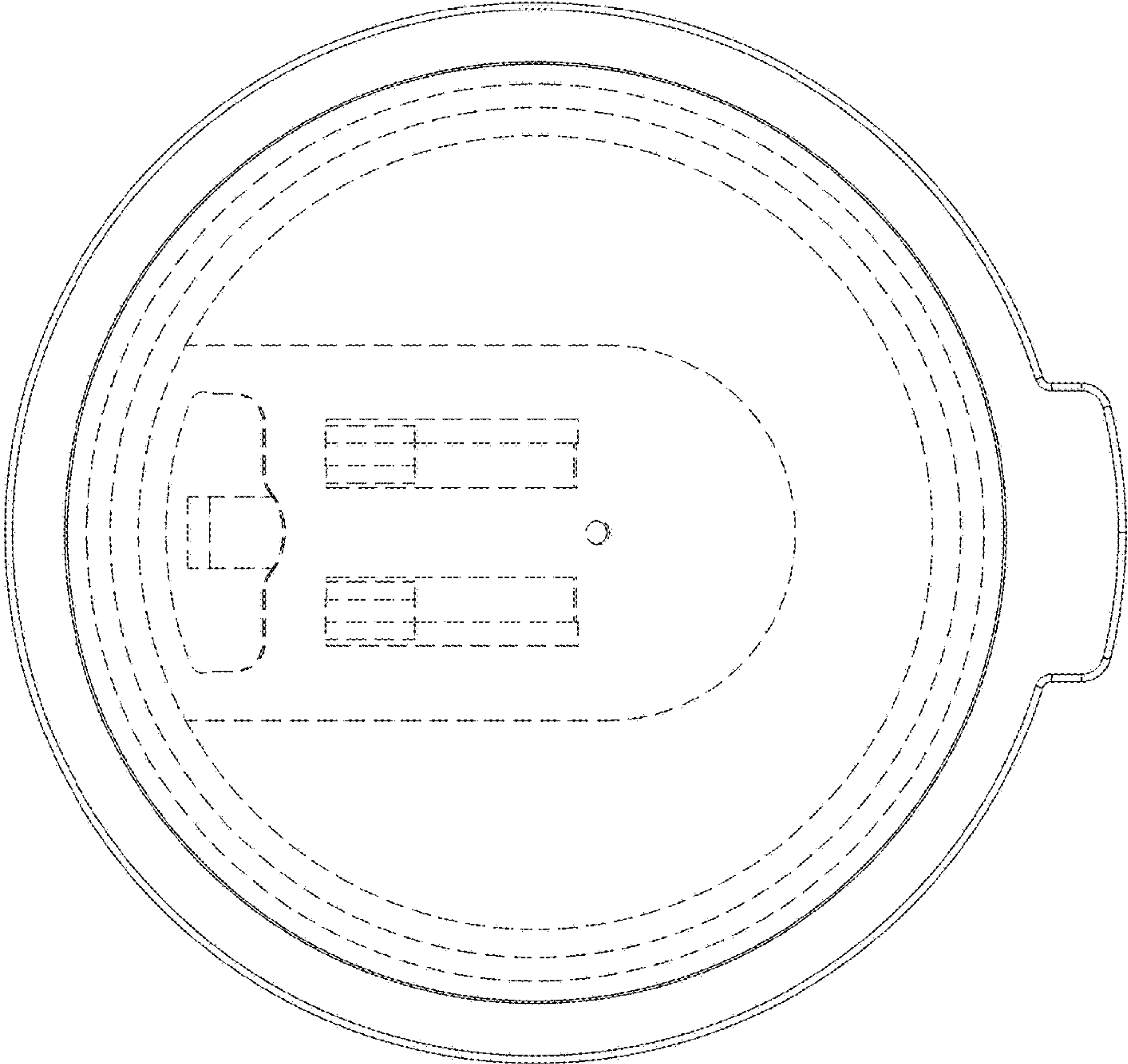


Fig. 6



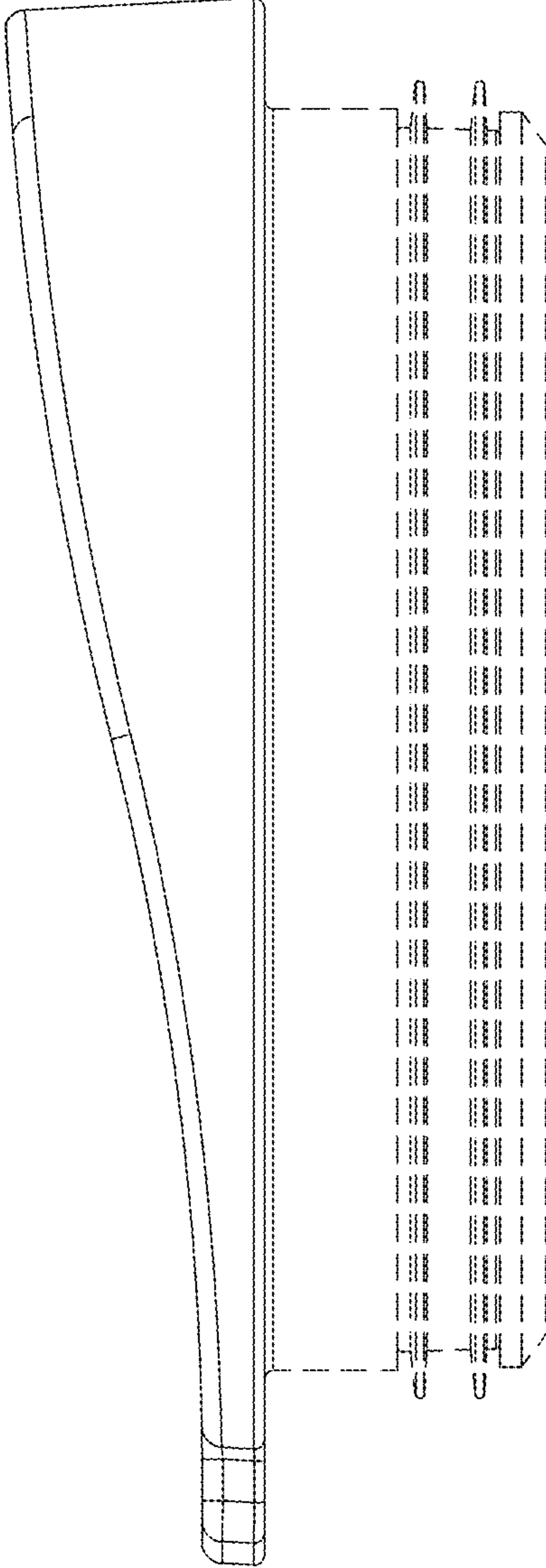


Fig. 7

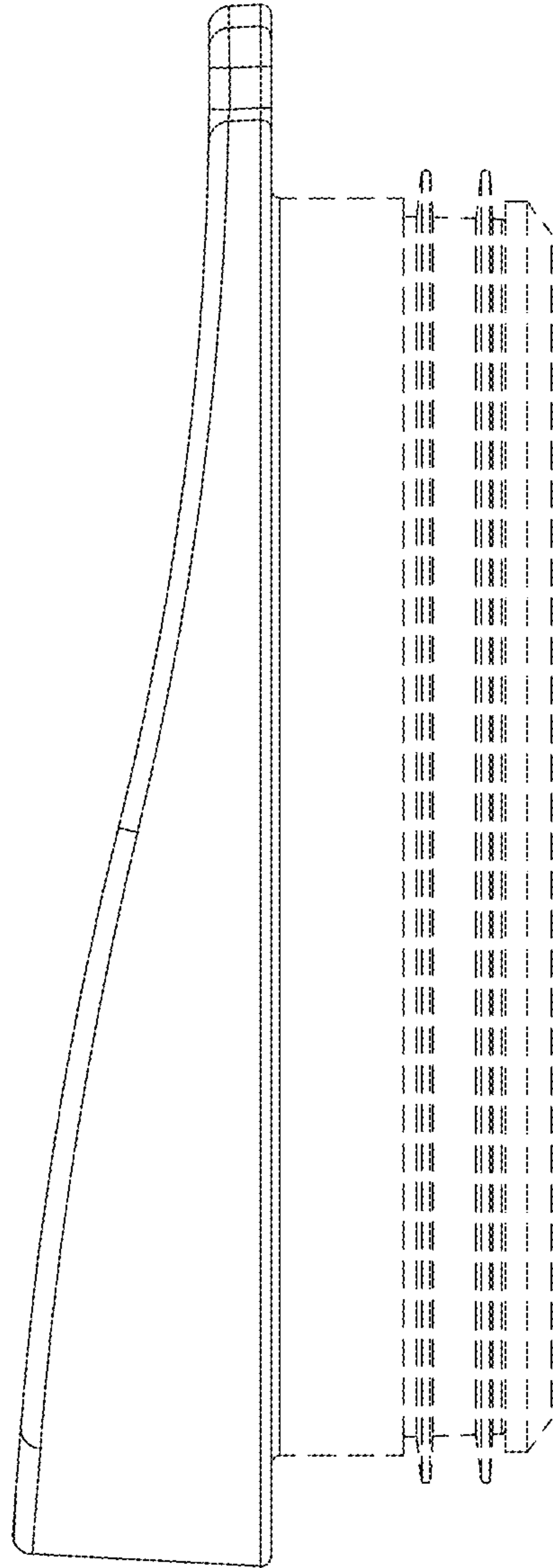


Fig. 8

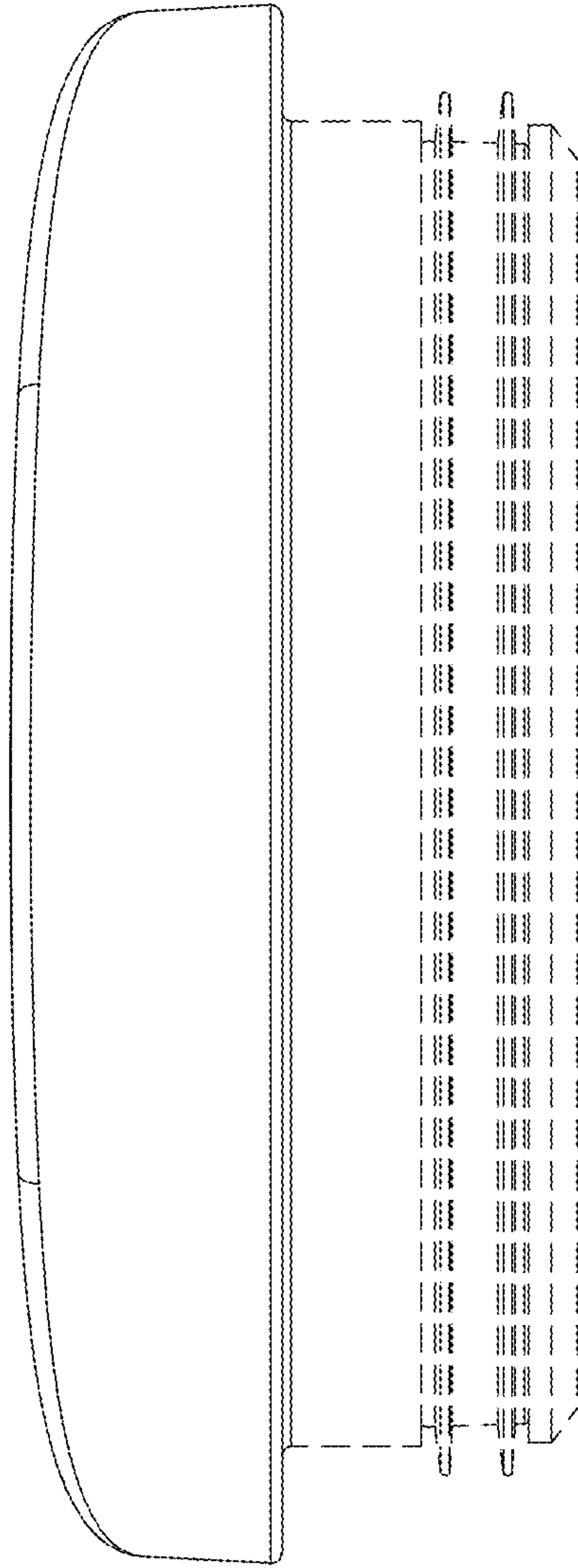
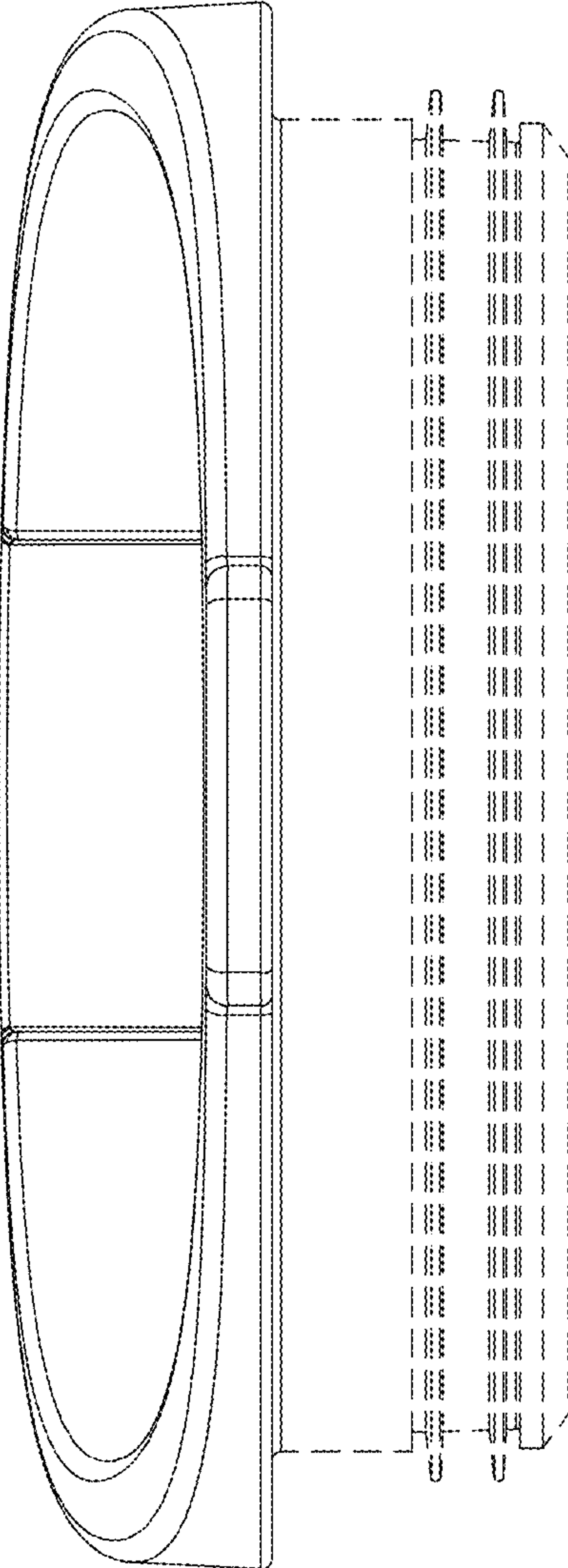


Fig. 9



*Fig. 10*