



US00D801745S

(12) **United States Design Patent** (10) **Patent No.:** **US D801,745 S**
Costa et al. (45) **Date of Patent:** **** Nov. 7, 2017**

(54) **PORTABLE GRILL**
(71) Applicant: **Napoleon Appliance Corporation,**
Barrie, Ontario (CA)
(72) Inventors: **Mike Costa,** Barrie (CA); **Chris**
Schroeter, Barrie (CA)
(73) Assignee: **Napoleon Appliance Corporation,**
Barrie (CA)

D503,582 S * 4/2005 Johnson D7/332
D600,968 S * 9/2009 Chung D7/337
D631,686 S * 2/2011 Tiller D7/337
D688,096 S * 8/2013 Pai D7/403
D699,999 S * 2/2014 Miller D7/337
D743,200 S * 11/2015 Pai D7/337
D747,910 S * 1/2016 Costa D7/337
D760,012 S * 6/2016 Lin D7/337

(Continued)

(**) Term: **15 Years**

(21) Appl. No.: **29/561,714**

(22) Filed: **Apr. 19, 2016**

Related U.S. Application Data

(63) Continuation of application No. 29/500,709, filed on
Aug. 27, 2014, now abandoned.

(51) **LOC (10) Cl.** **07-02**

(52) **U.S. Cl.**
USPC **D7/337**

(58) **Field of Classification Search**

USPC D7/323-337, 402-407, 362, 416, 417,
D7/357, 408; 126/25 R, 9 R; D23/343,
D23/415, 350, 348, 403, 409, 416, 418,
D23/419; D22/112; D26/8
CPC A47J 33/00; A47J 37/04;
A47J 37/07-37/0727; A47J 37/0731;
A47J 37/0781; A47J 2037/0777;
A47J 37/0786; A47J 36/26; A47J 36/36;
F24B 1/02; F24B 1/022; F24B 1/18;
F24B 1/182; F24B 1/202; F24B 1/181;
F24C 3/14; F24C 1/16; F24C 15/10;
F23D 14/00-14/10; F23D 91/00;
B05B 17/08

See application file for complete search history.

(56) **References Cited**

U.S. PATENT DOCUMENTS

D457,030 S * 5/2002 DeMars D7/332
D458,506 S * 6/2002 DeMars D7/332

OTHER PUBLICATIONS

Margaritaville G1000 Ride-Behind Tailgating Propane Grill, by
Margaritaville; https://www.amazon.com/Margaritaville-G1000-Ride-Behind-Tailgating-Propane/dp/B002EVOW0M?ie=UTF8&*Version*=1&*entries*=0.

(Continued)

Primary Examiner — Susan Bennett Hattan

Assistant Examiner — Brett Miller

(74) *Attorney, Agent, or Firm* — Head, Johnson,
Kachigian & Wilkinson, PC

(57) **CLAIM**

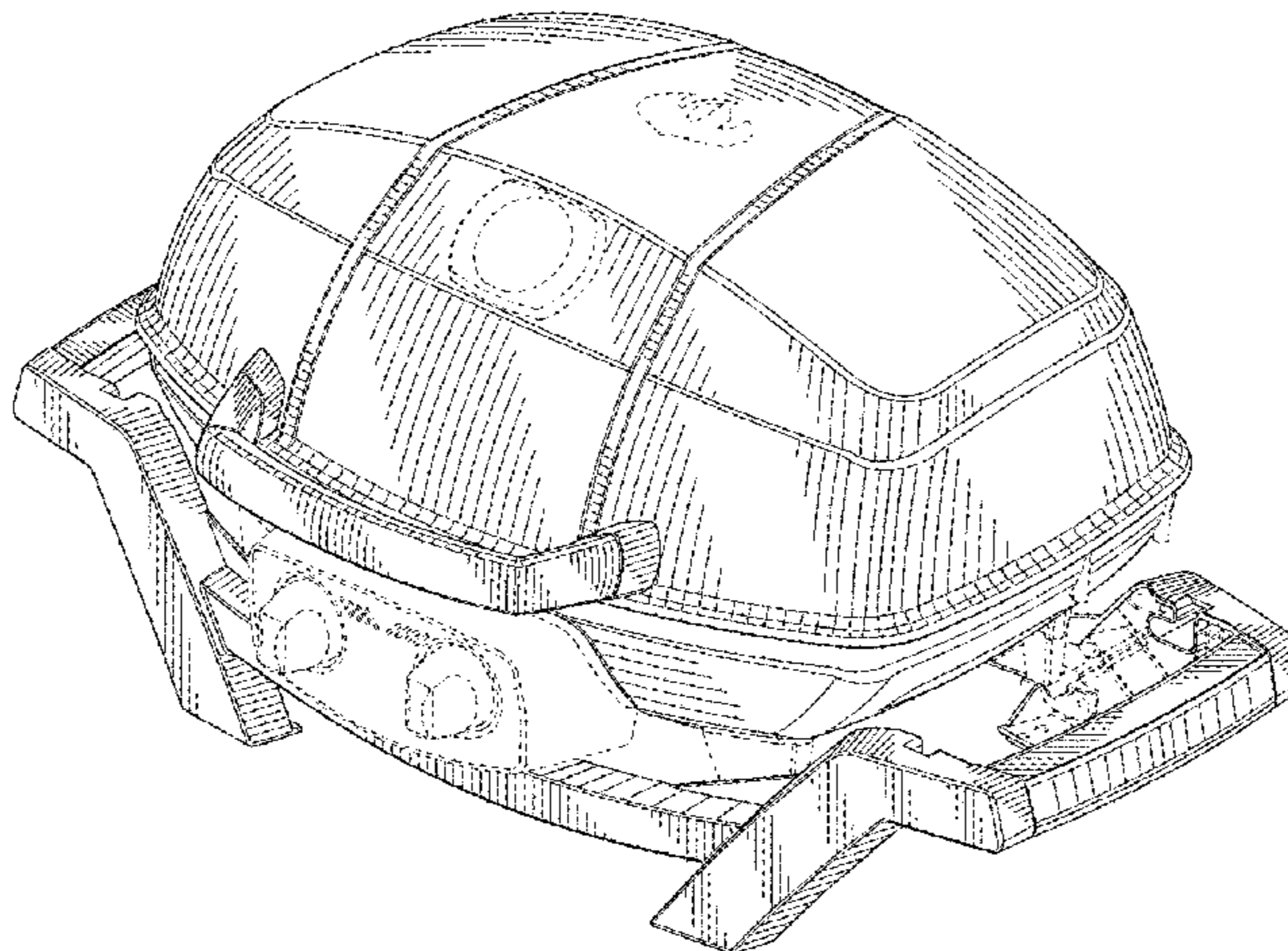
The ornamental design for a portable grill, as shown and
described.

DESCRIPTION

FIG. 1 is a front, right, top perspective view of a portable
grill of the present invention;
FIG. 2 is a bottom, right, rear perspective view thereof;
FIG. 3 is a top view thereof;
FIG. 4 is a bottom view thereof;
FIG. 5 is a front view thereof;
FIG. 6 is a rear view thereof;
FIG. 7 is a right side view thereof; and,
FIG. 8 is a left side view thereof.

The broken lines in the drawings depict unclaimed portions
of the portable grill and form no part of the claimed design.

1 Claim, 8 Drawing Sheets



(56)

References Cited

U.S. PATENT DOCUMENTS

D772,636 S * 11/2016 Barquin D7/335
2004/0112364 A1 * 6/2004 Johnson A47J 37/0704
126/41 R
2008/0230045 A1 * 9/2008 Bruno A47J 37/0704
126/25 R
2014/0251160 A1 * 9/2014 Contarino, Jr. A47J 37/0786
99/341

OTHER PUBLICATIONS

Cuisinart CGG-200 All-Foods Gas Grill; https://www.cuisinart.com/products/grilling_tools/cgg-200/.

Char-Broil grill2go; http://www.searsoutlet.com/Grill-2-Go-Portable-Grill-2-Go-Express/d/product_details.jsp?pid=96154&mode=seeAll.

Stok Gridiron; <http://www.stokgrills.com/products/details/gridiron>.

* cited by examiner

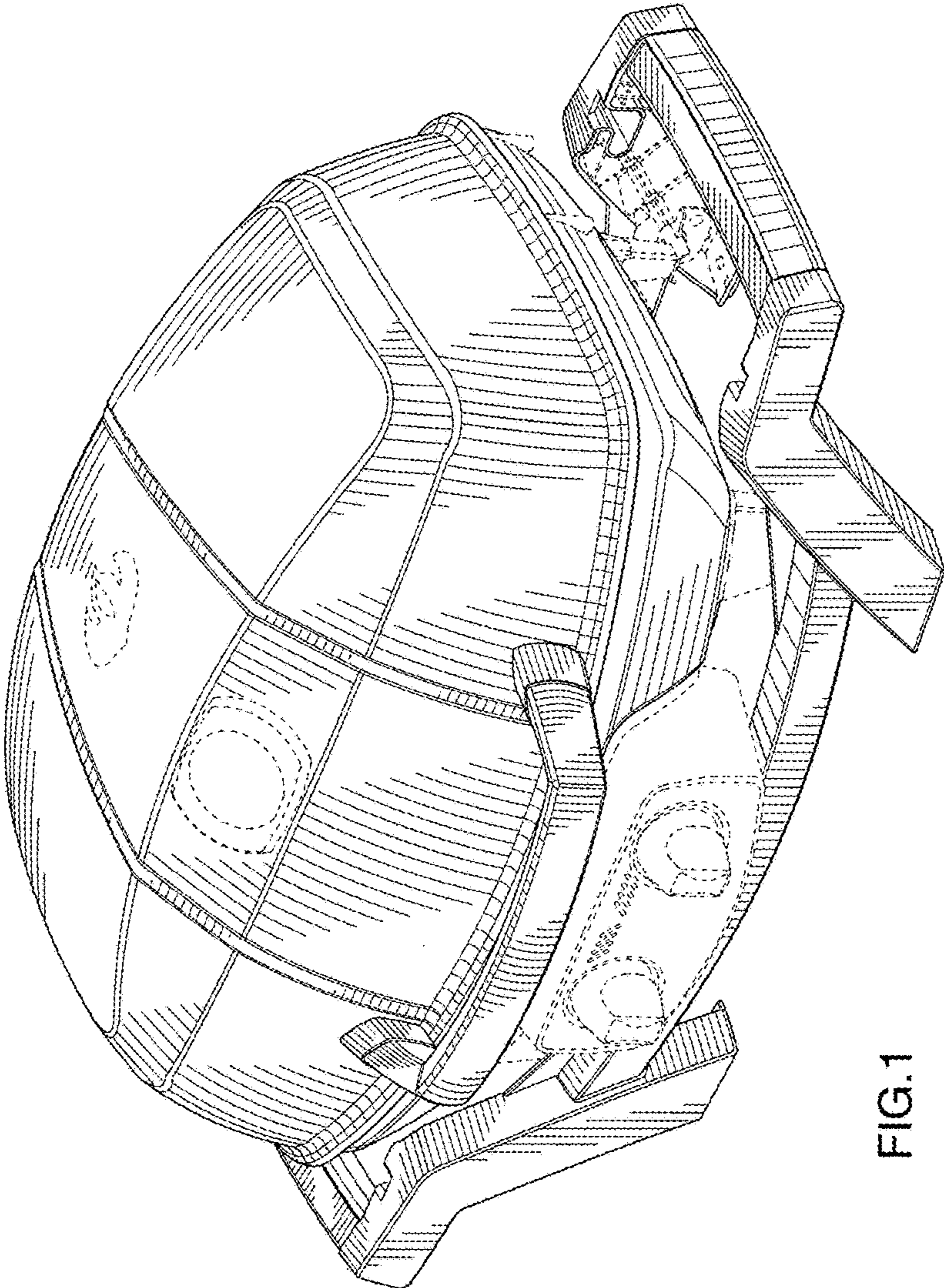


FIG.1

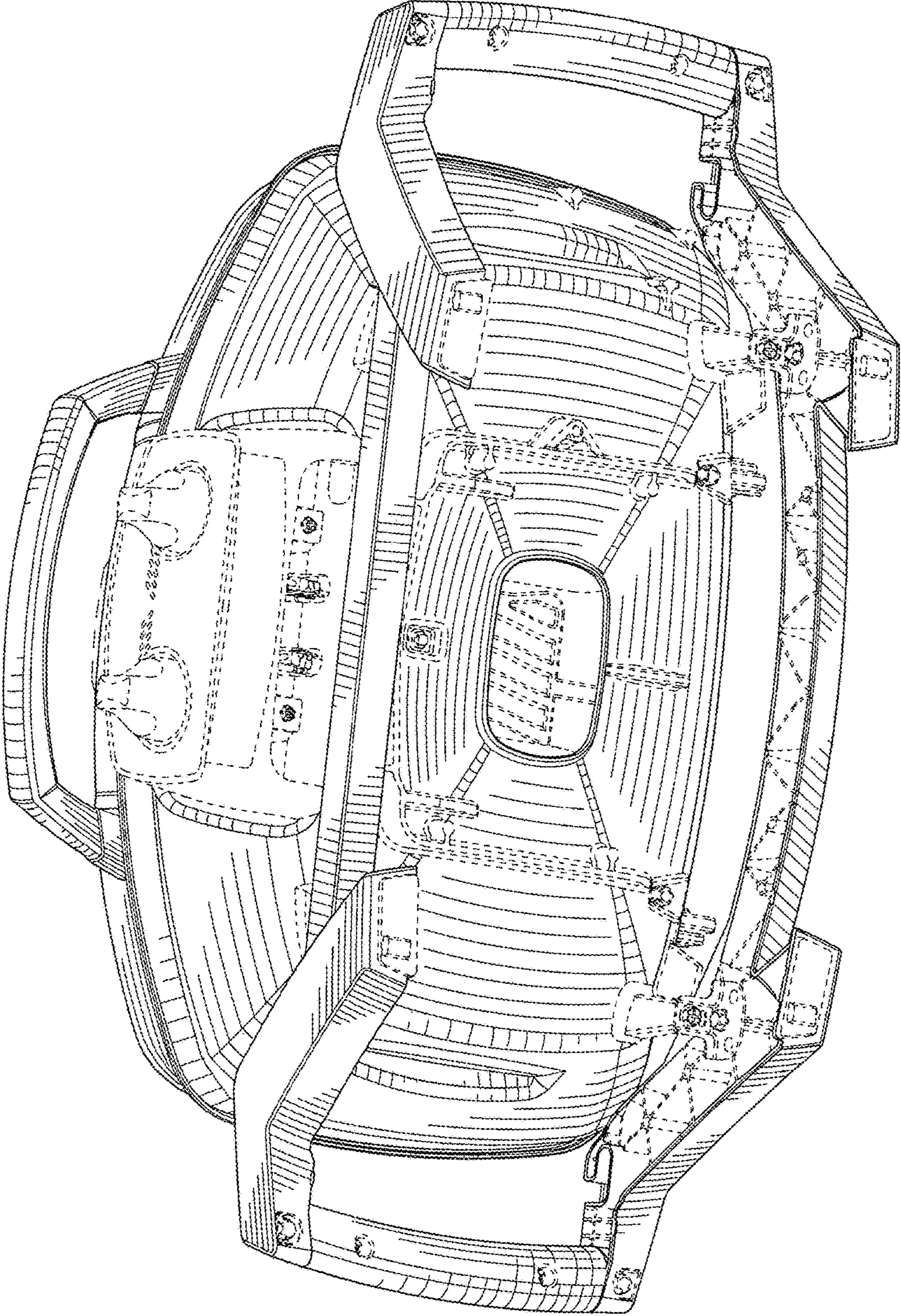


FIG.2

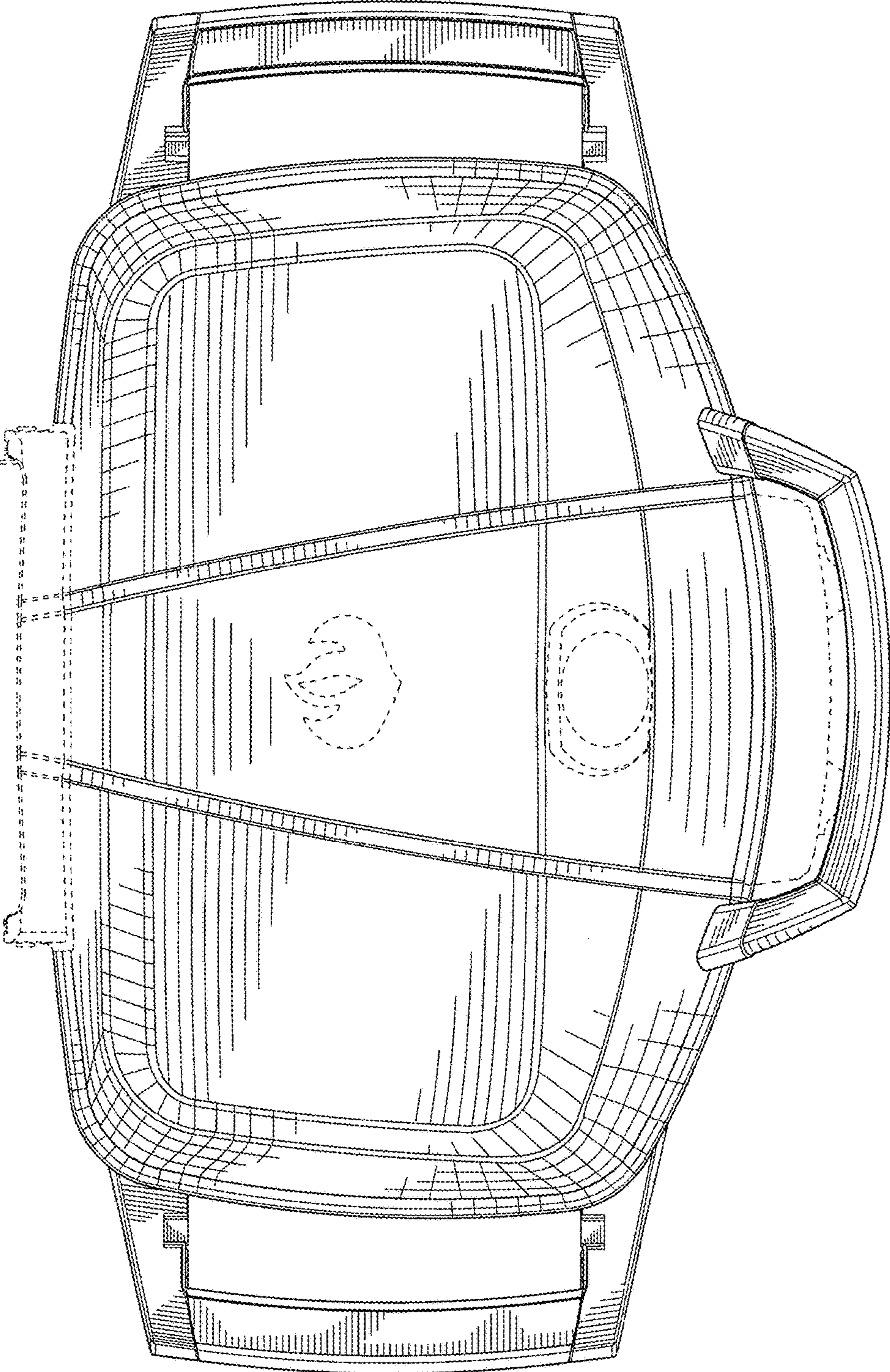


FIG.3

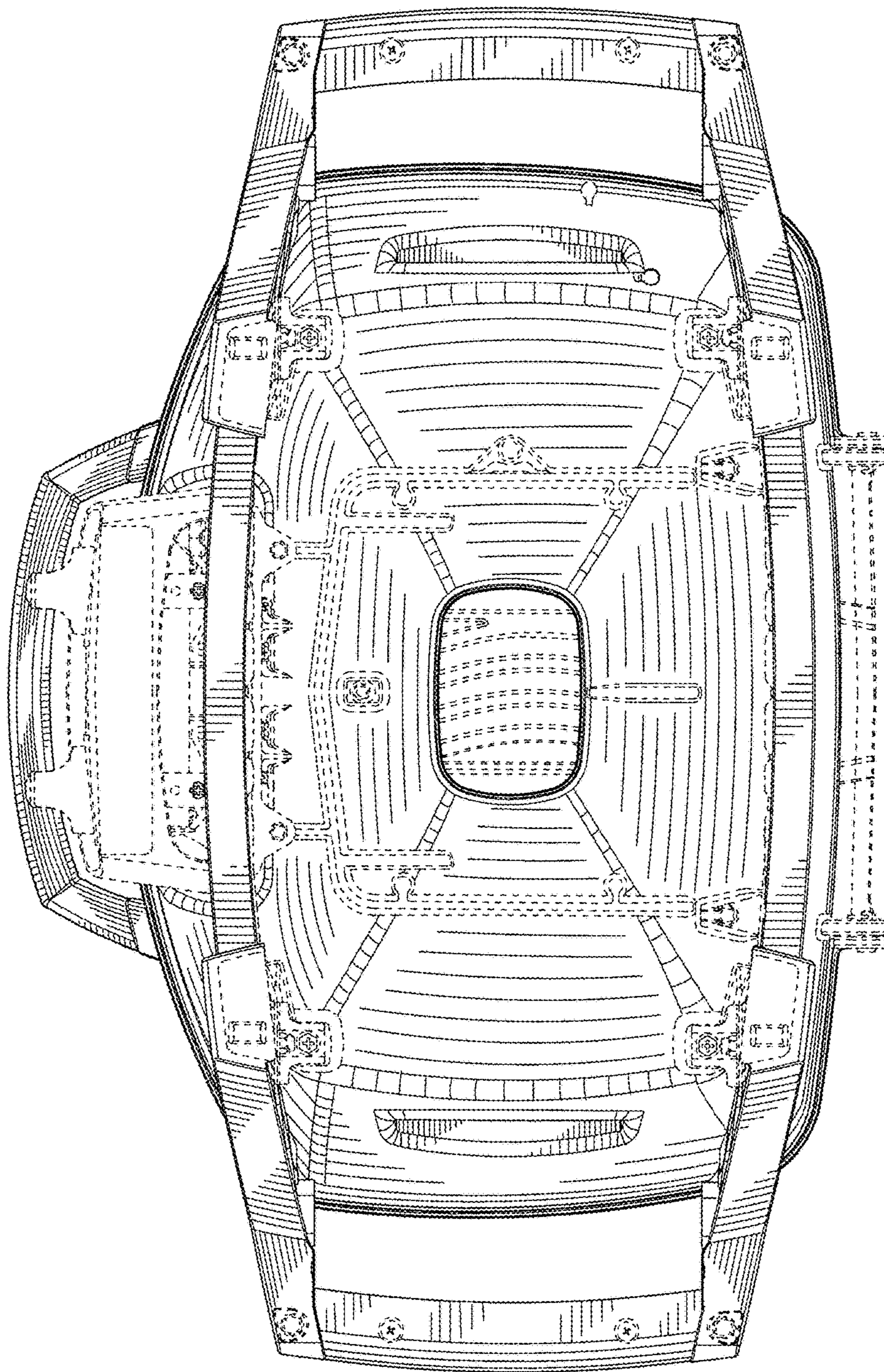


FIG.4

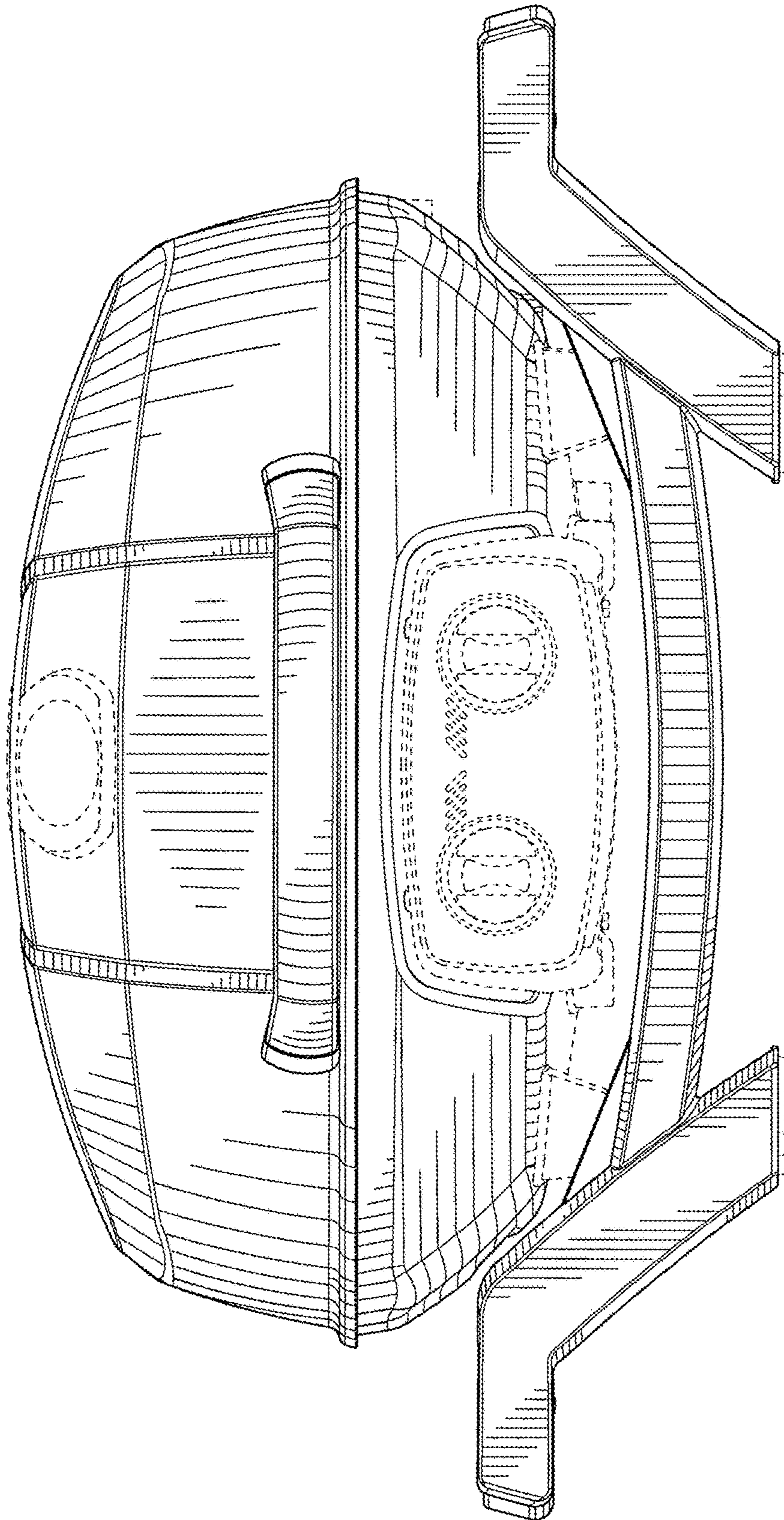


FIG.5

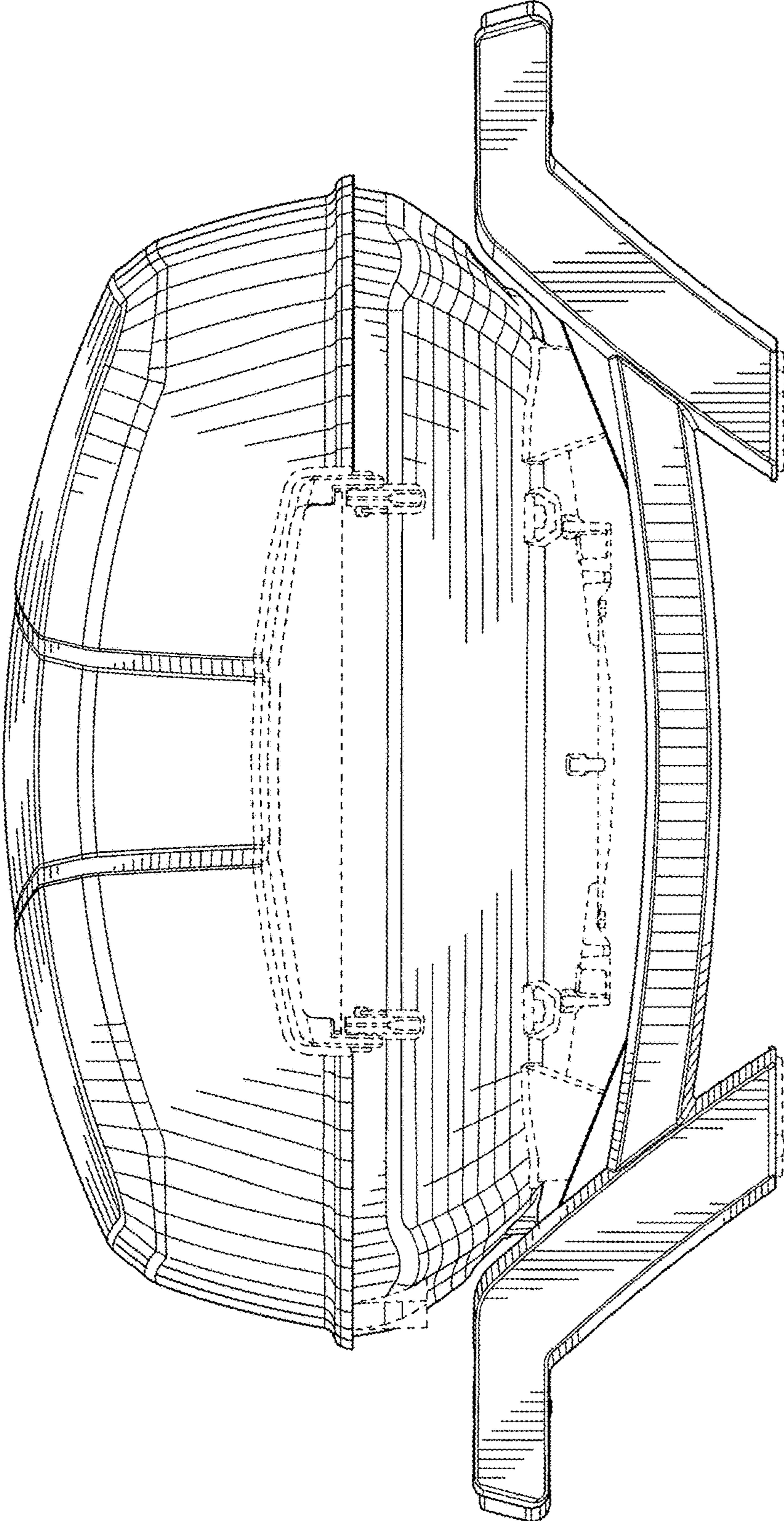


FIG.6

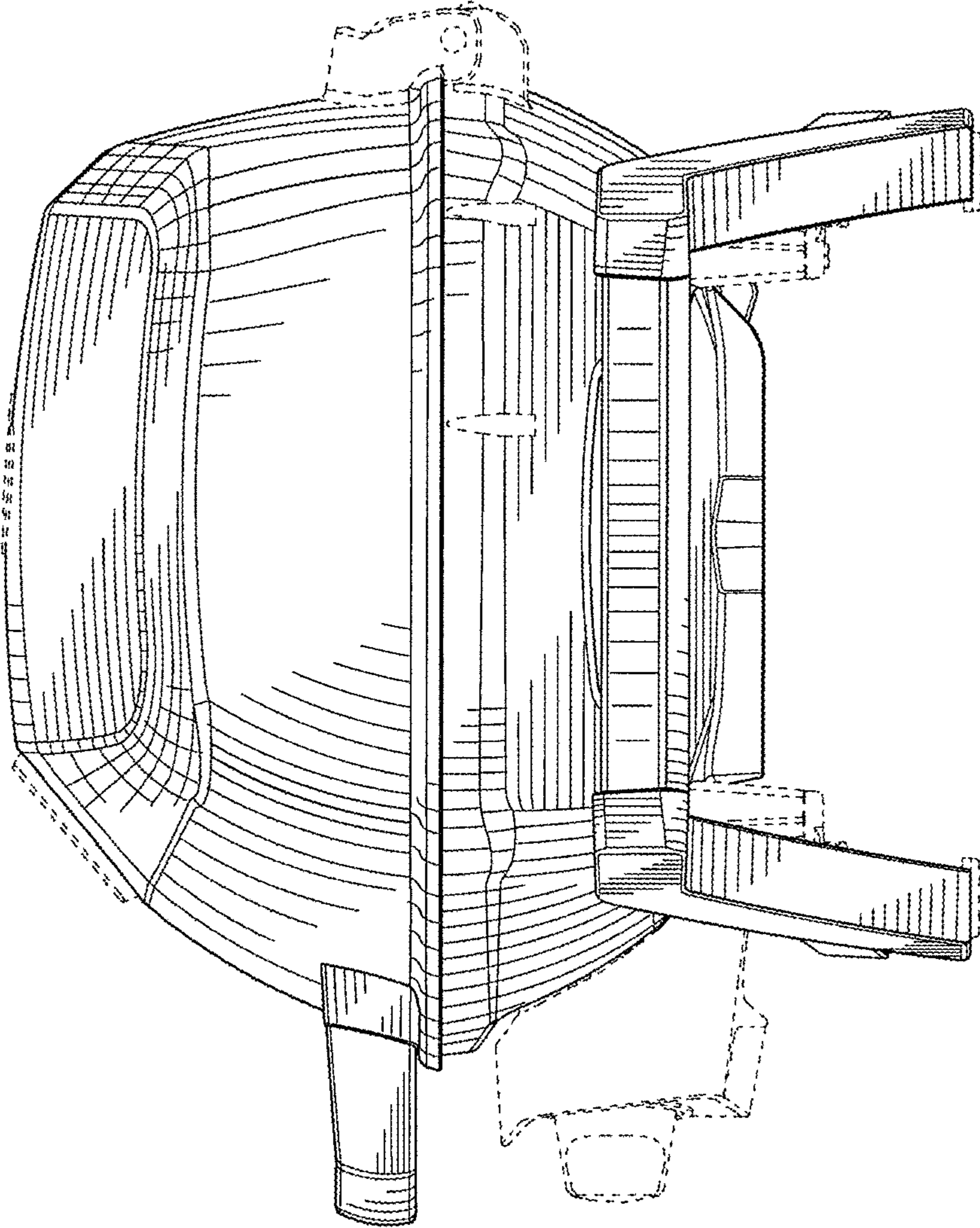


FIG.7

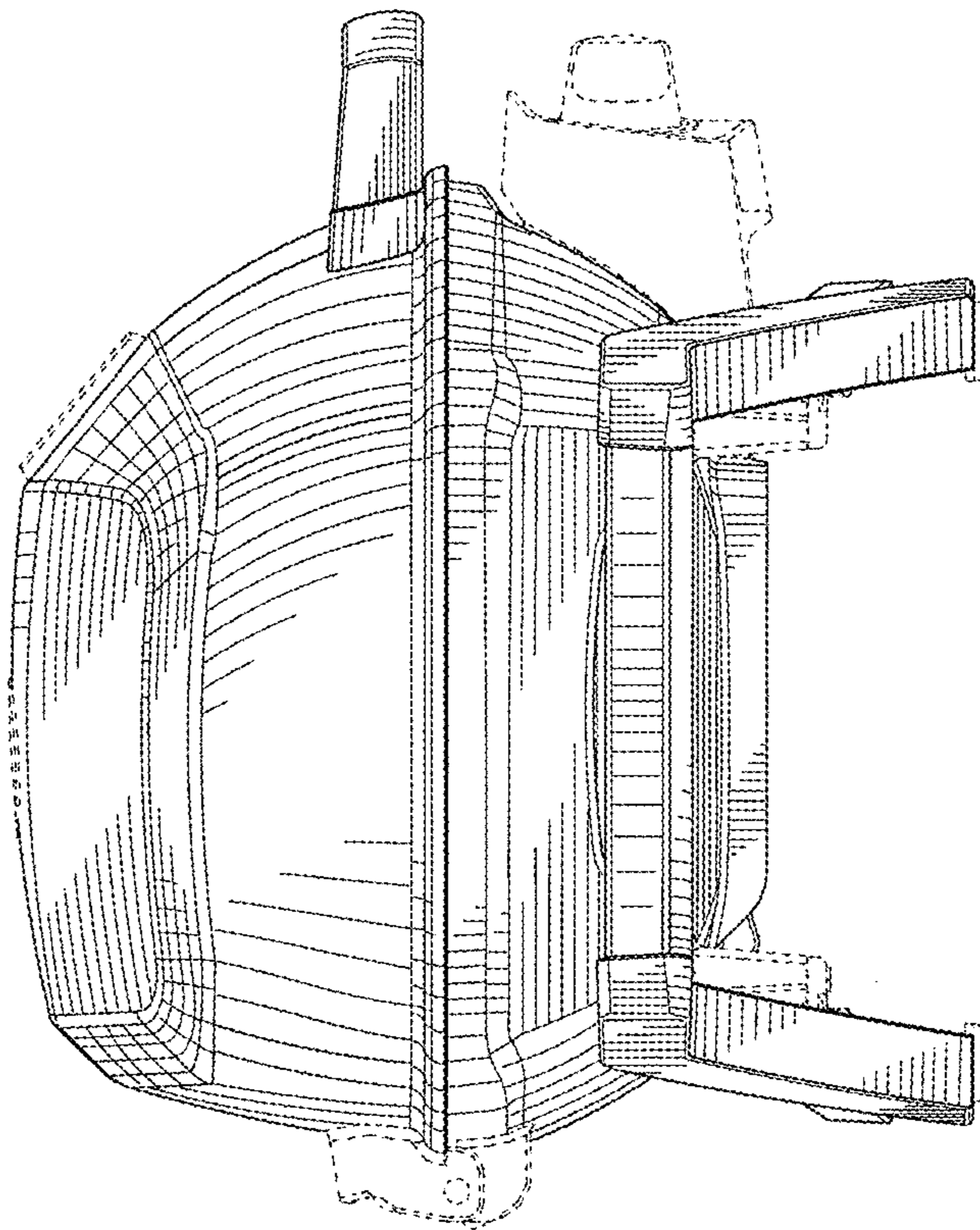


FIG.8