



US00D801744S

(12) **United States Design Patent** (10) **Patent No.:** **US D801,744 S**
Gold et al. (45) **Date of Patent:** **** Nov. 7, 2017**

(54) **BEVERAGE DISPENSER**
(71) Applicants: **Gil Gold**, Skokie, IL (US); **Tamir Levy**, Skokie, IL (US)
(72) Inventors: **Gil Gold**, Skokie, IL (US); **Tamir Levy**, Skokie, IL (US)
(73) Assignee: **Gold and Levy, Inc.**, Lincolnwood, IL (US)
(**) Term: **15 Years**
(21) Appl. No.: **29/562,820**
(22) Filed: **Apr. 29, 2016**
(51) **LOC (10) Cl.** **07-01**
(52) **U.S. Cl.**
USPC **D7/306**; D7/311; D7/313
(58) **Field of Classification Search**
USPC D7/305-311, 313, 589; D15/82;
222/129.1, 146.6; 99/295

(Continued)

(56) **References Cited**
U.S. PATENT DOCUMENTS
3,088,289 A * 5/1963 Alex B67D 3/0029
165/122
3,270,520 A * 9/1966 Geisler F25D 31/002
165/168

(Continued)

Primary Examiner — Marianne Pandozzi
(74) *Attorney, Agent, or Firm* — Clifford H. Kraft

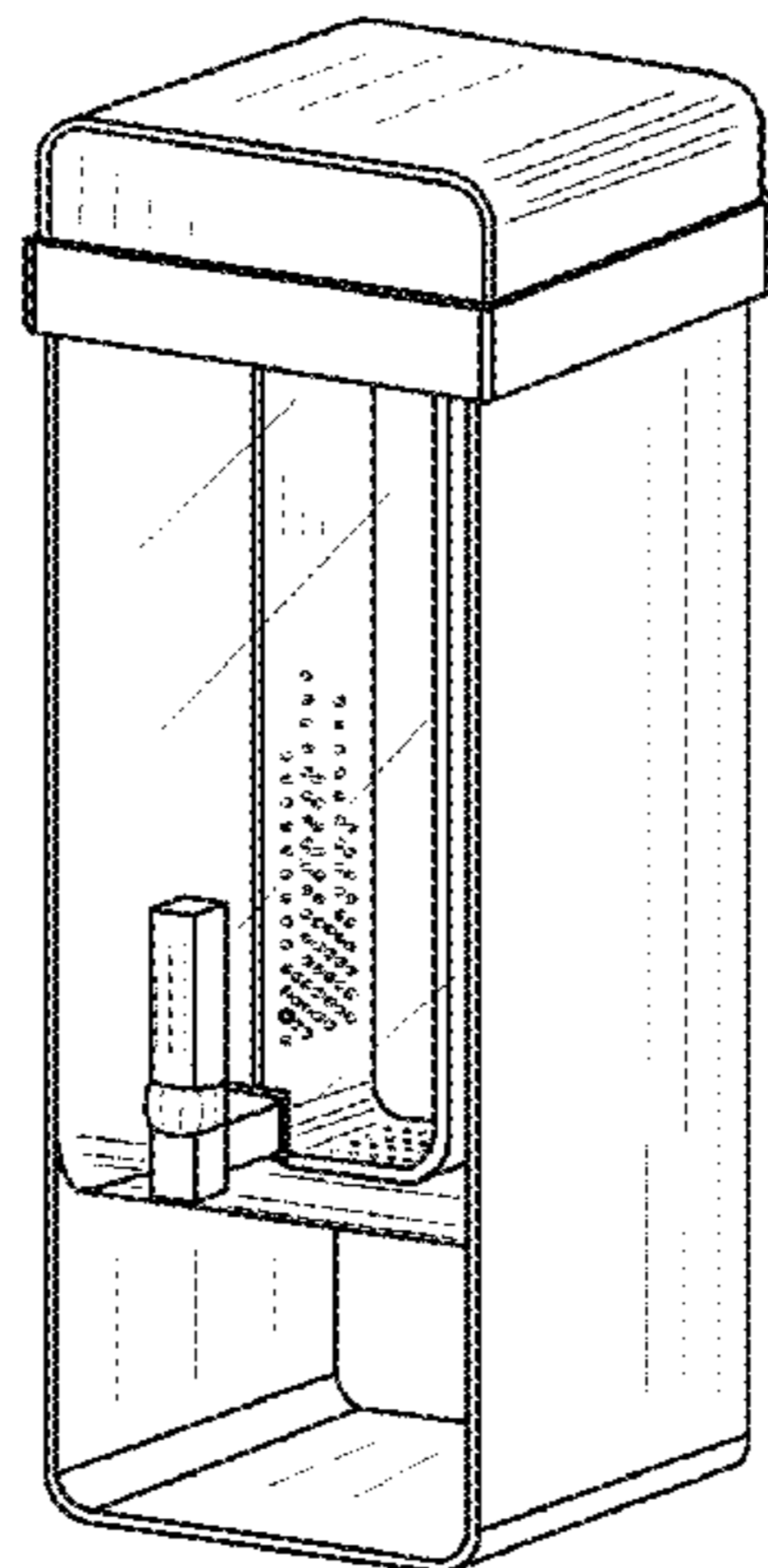
(57) **CLAIM**
The ornamental design for a beverage dispenser, as shown and described.

DESCRIPTION

FIG. 1 is a perspective view of a beverage dispenser showing our new design;

FIG. 2 is an environmental perspective view thereof showing liquid contents;
FIG. 3 is an exploded perspective view thereof;
FIG. 4 is an exploded perspective view thereof with all removable parts shown;
FIG. 5 is a perspective view thereof with all the parts removed for ease of illustration save the transparent portion;
FIG. 6 is a front view of FIG. 1 at a reduced scale;
FIG. 7 is a left side view thereof, the right side view being a mirror image;
FIG. 8 is a bottom plan view thereof;
FIG. 9 is a top plan view thereof;
FIG. 10 is a front view of one removable portion of the beverage dispenser with all other parts removed for ease of illustration;
FIG. 11 is a side view thereof, the opposite side is a mirror image thereof;
FIG. 12 is a bottom plan view thereof;
FIG. 13 is a top plan view thereof;
FIG. 14 is a top plan view of the lid portion of the beverage dispenser with all other portions removed for ease of illustration;
FIG. 15 is a side view thereof, both sides being identical;
FIG. 16 is a front view thereof, the rear view being identical;
FIG. 17 is a top plan view of a removable support for the beverage dispenser with all other portions removed for ease of illustration;
FIG. 18 is a front view thereof, all sides being the same;
FIG. 19 is a sectional view taken along line 19-19 of FIG. 17;
FIG. 20 is a rear view of FIG. 5 at a reduced scale;
FIG. 21 is a side view thereof, the right and left sides are mirror images thereof;
FIG. 22 is a front view thereof;
FIG. 23 is a top plan view thereof; and,
FIG. 24 is a bottom plan view thereof.
Diagonal shading lines indicate transparency.
Diagonal lines in FIG. 19 are sectional indicators.
Broken lines in FIG. 2 indicate environmental boundaries of liquid contents and form no part of the claimed design.

1 Claim, 9 Drawing Sheets



(58) **Field of Classification Search**

CPC A47J 31/44; A47J 31/4403; A47J 31/46;
A47J 31/4482; A47J 31/369; A47J
31/407; A47J 31/30; A47J 31/20; A47J
4/025; A47J 31/002; B67D 1/36; B67D
2210/0065; B67D 1/0864; B67D 3/0061

See application file for complete search history.

(56) **References Cited**

U.S. PATENT DOCUMENTS

3,664,643 A * 5/1972 Neve B67D 3/0012
366/149
D225,894 S * 1/1973 Emery D7/589
D228,684 S * 10/1973 Cannon D7/306
3,868,153 A * 2/1975 Sholtes A47B 77/08
312/236
D261,656 S * 11/1981 Svensson D20/7
D271,496 S * 11/1983 Lents D15/80
4,874,023 A * 10/1989 Ulm B67D 3/0019
141/286
D633,743 S * 3/2011 Johnson D6/610
D643,239 S * 8/2011 Wang D7/306
D651,042 S * 12/2011 Petersen D7/401.1
D652,244 S * 1/2012 Richardson D7/307
D713,666 S * 9/2014 Van Baelen D7/306
D753,947 S * 4/2016 Saadeh D7/306
D759,194 S * 6/2016 Wei D23/207

* cited by examiner

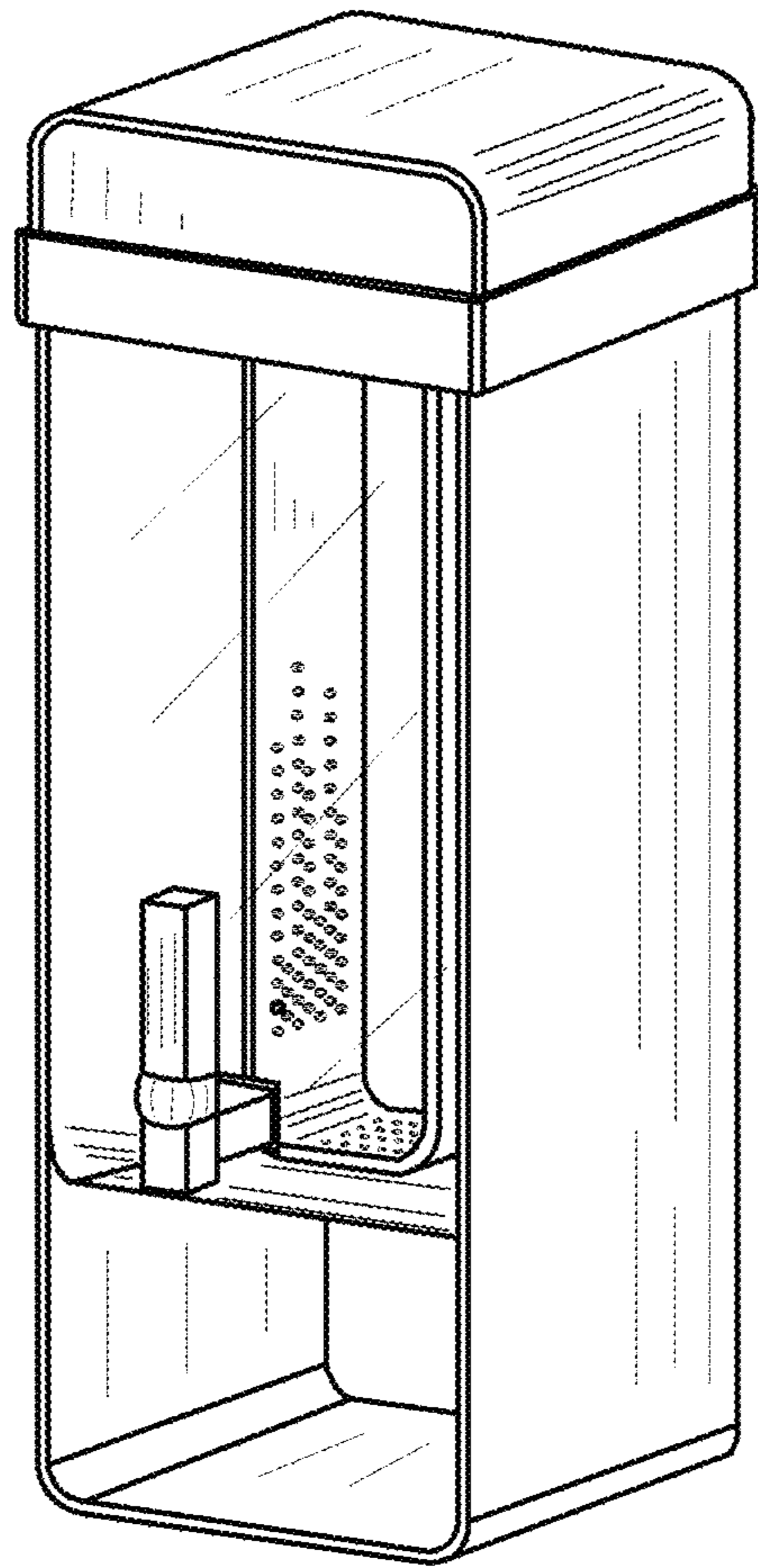


Fig. 1

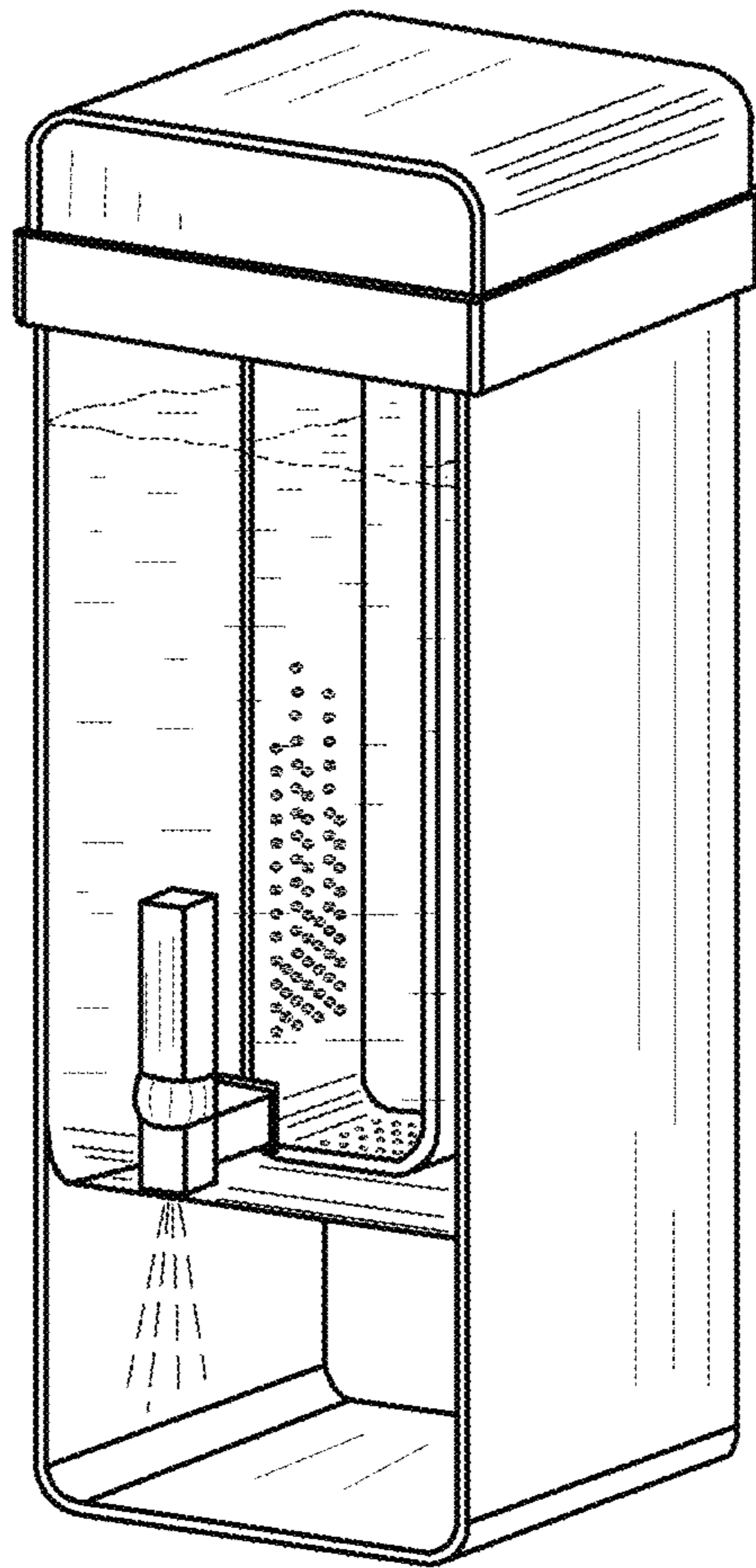


Fig. 2

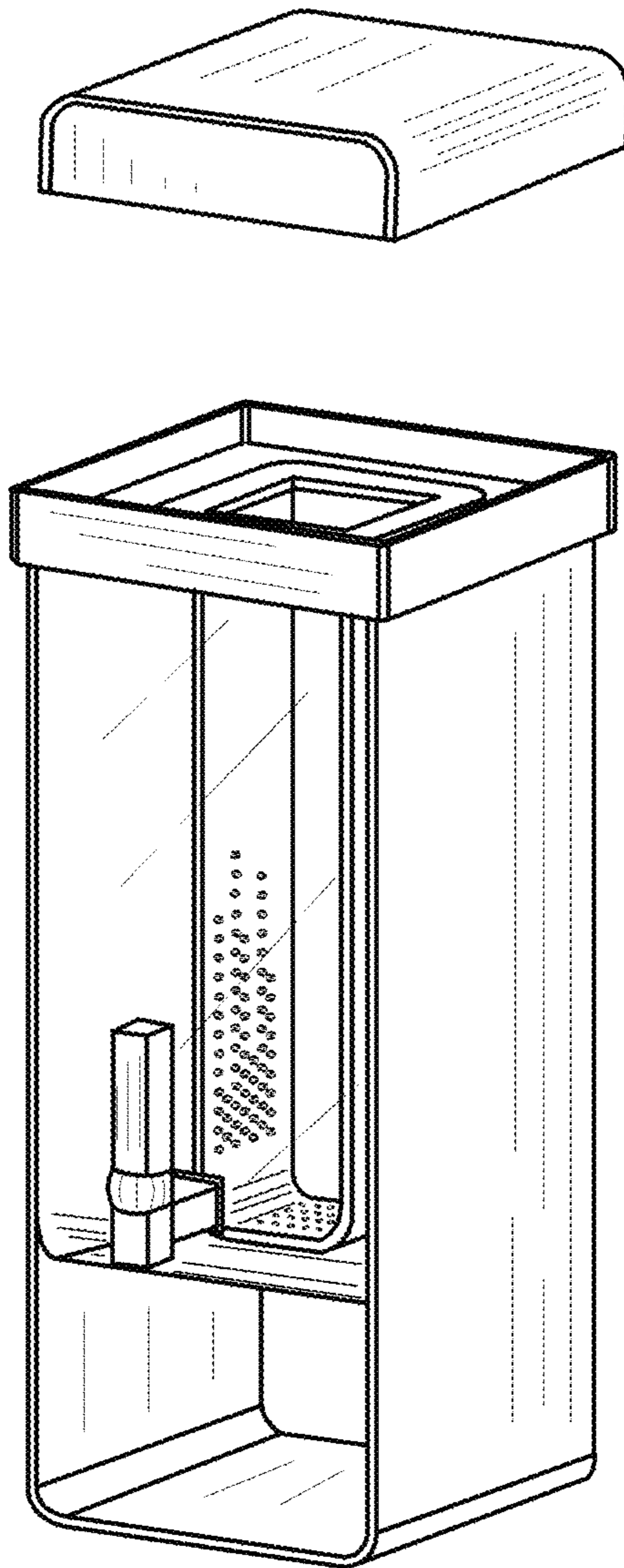


Fig. 3

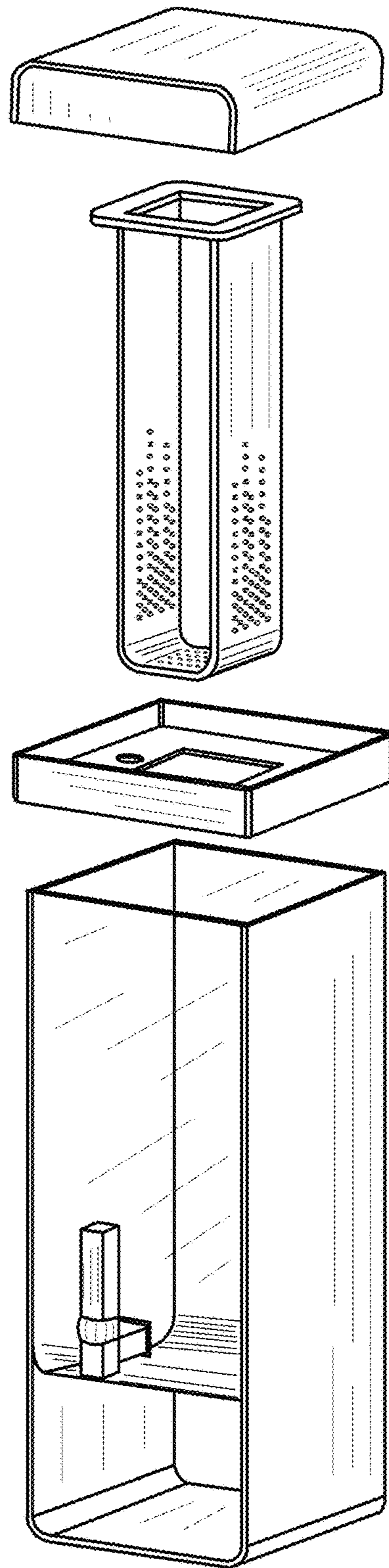


Fig. 4

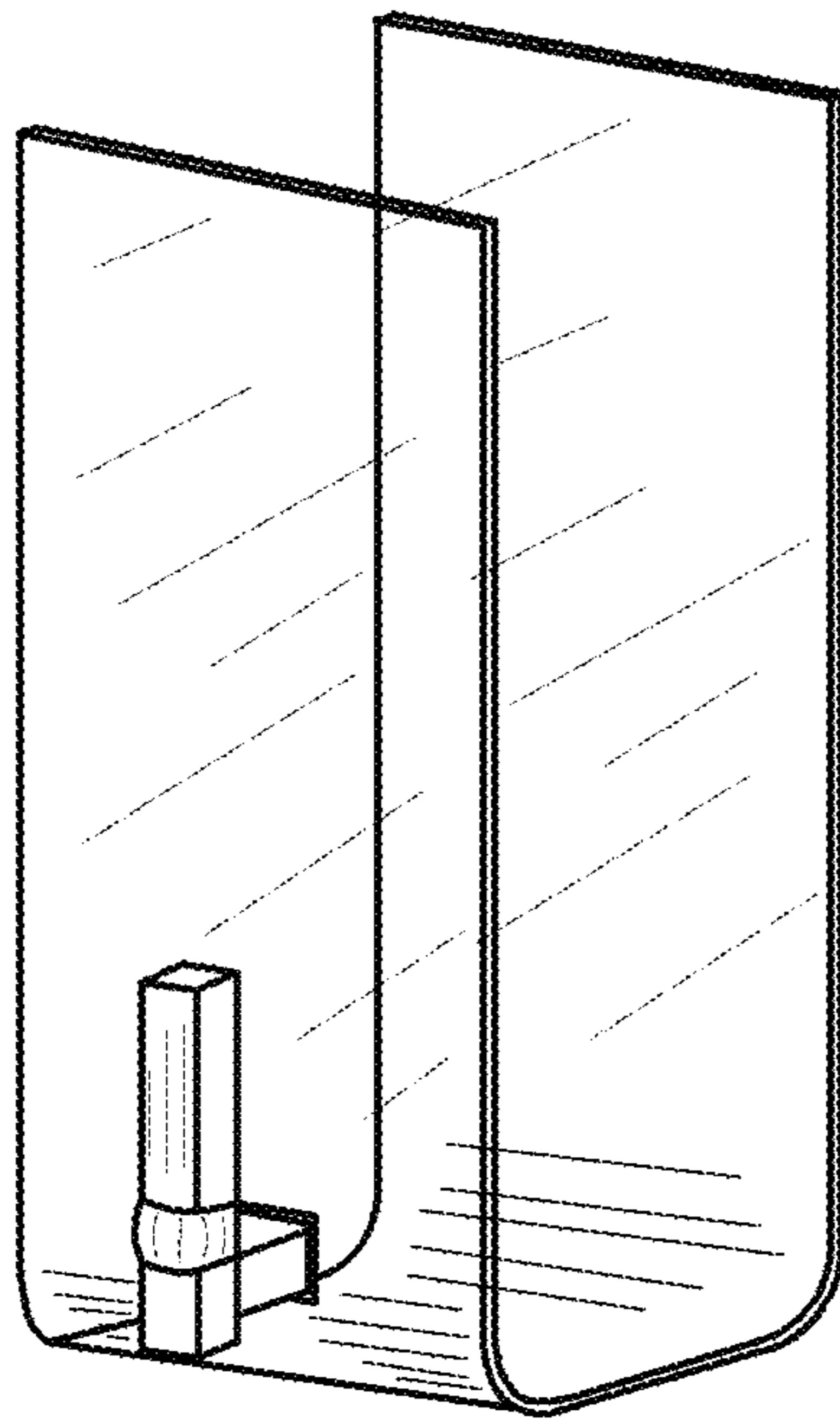


Fig. 5

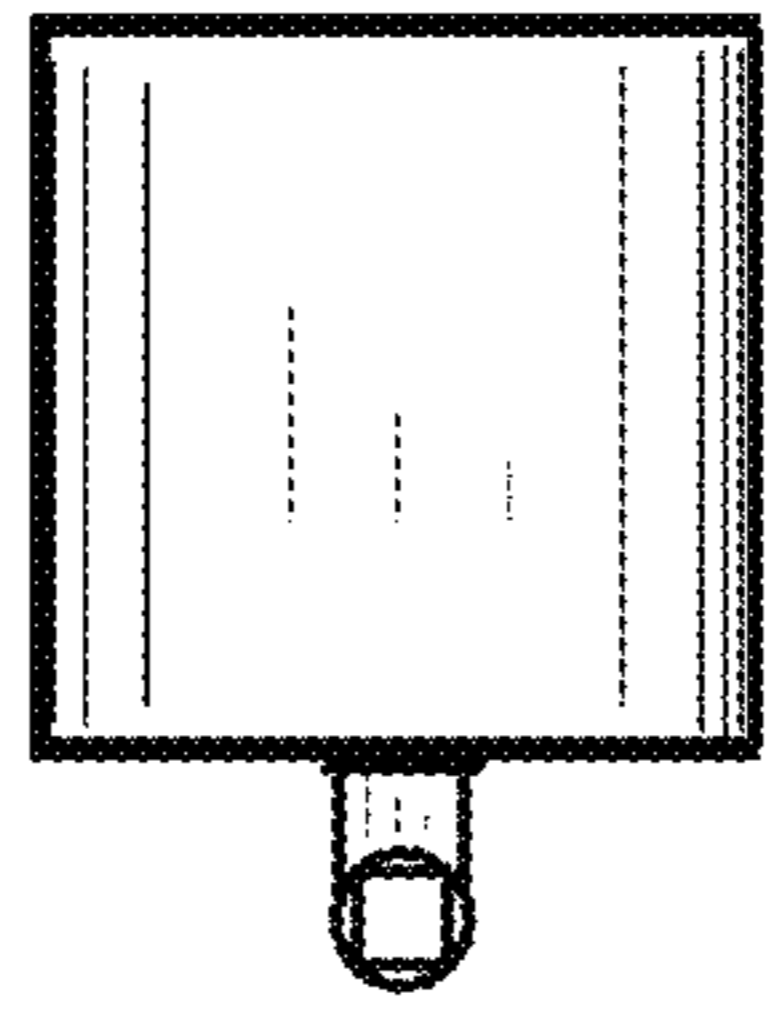


Fig. 9

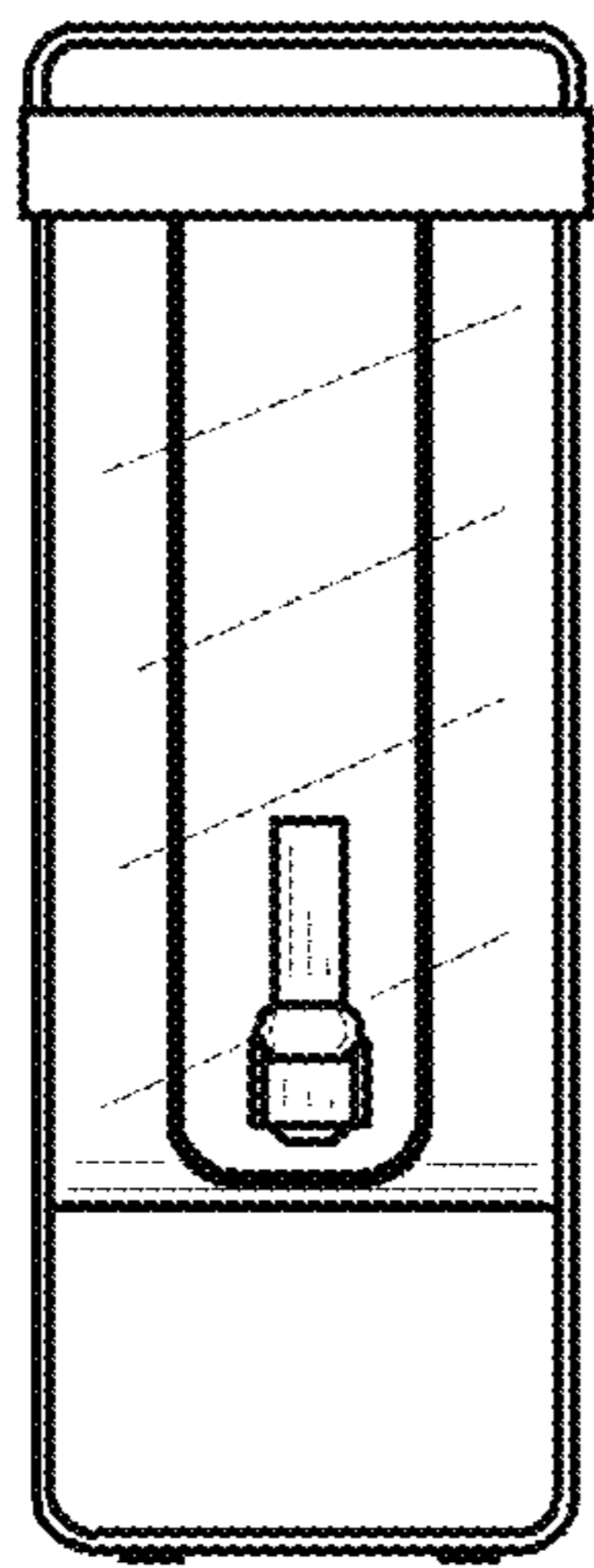


Fig. 6

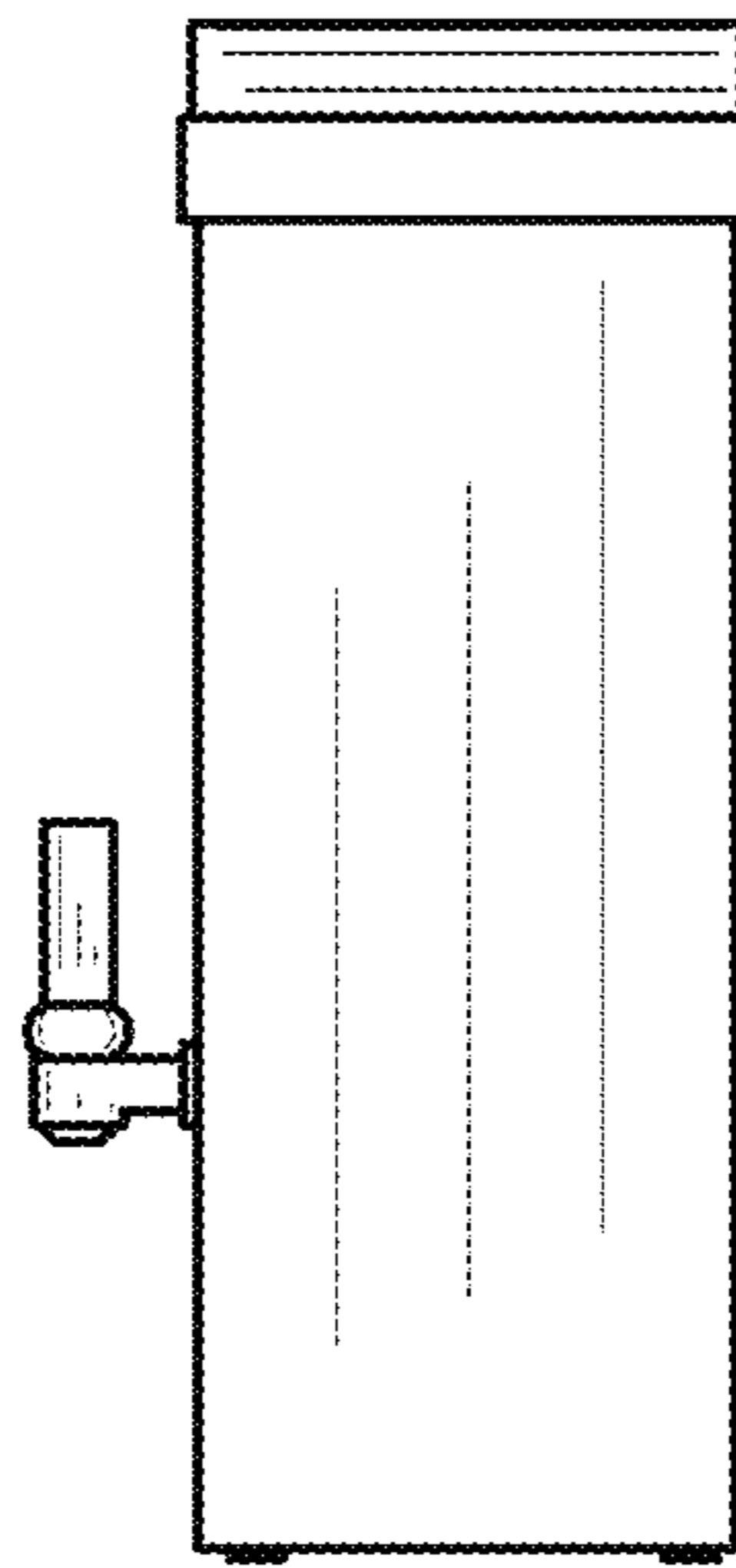


Fig. 7

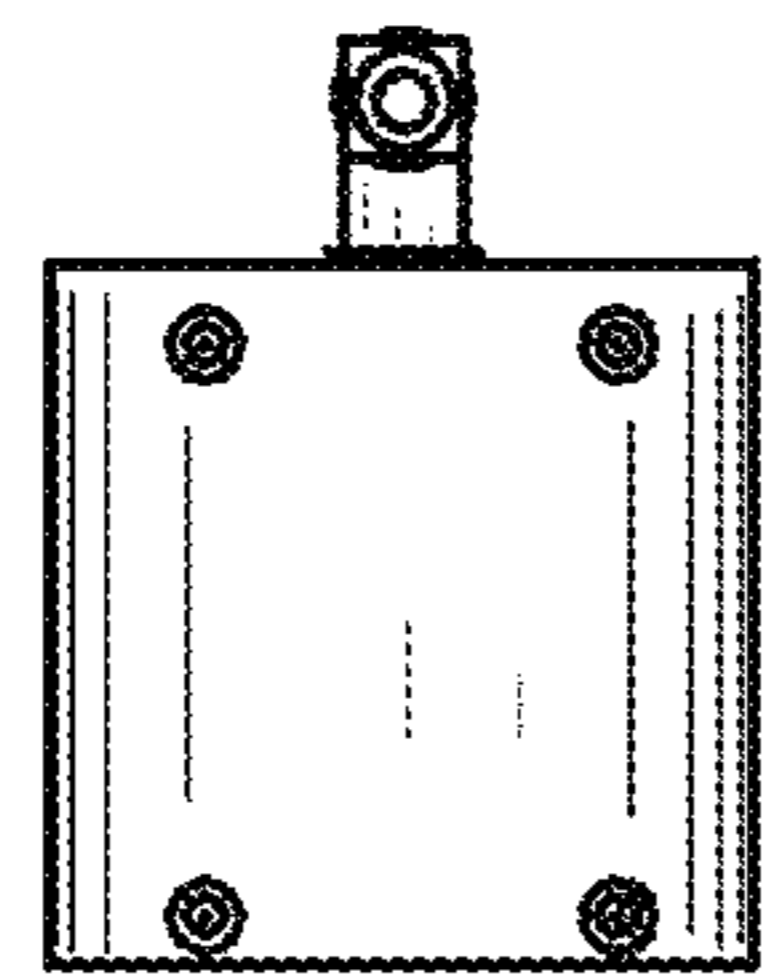


Fig. 8

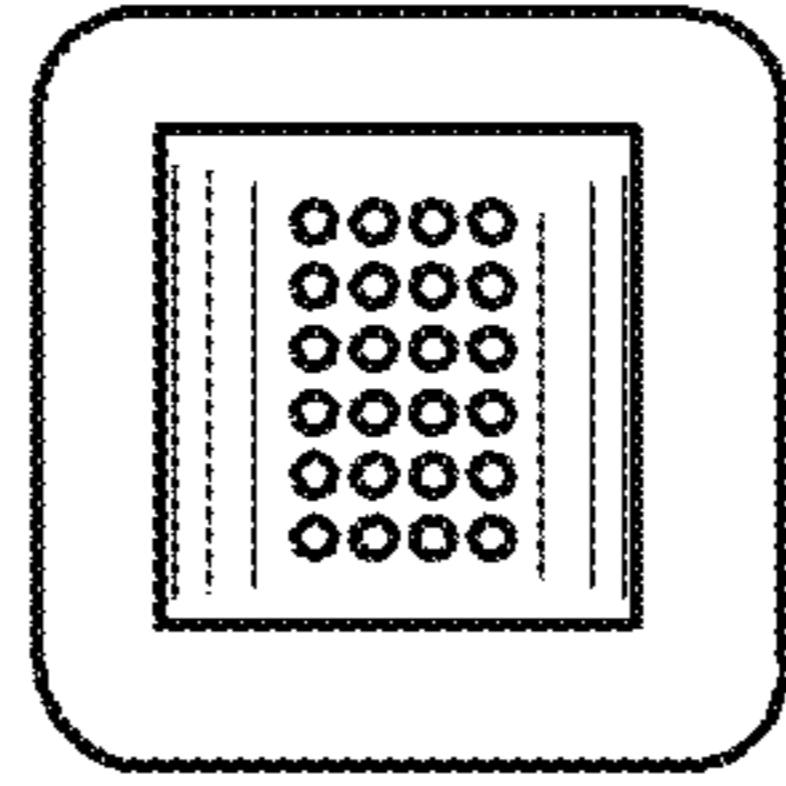


Fig. 13

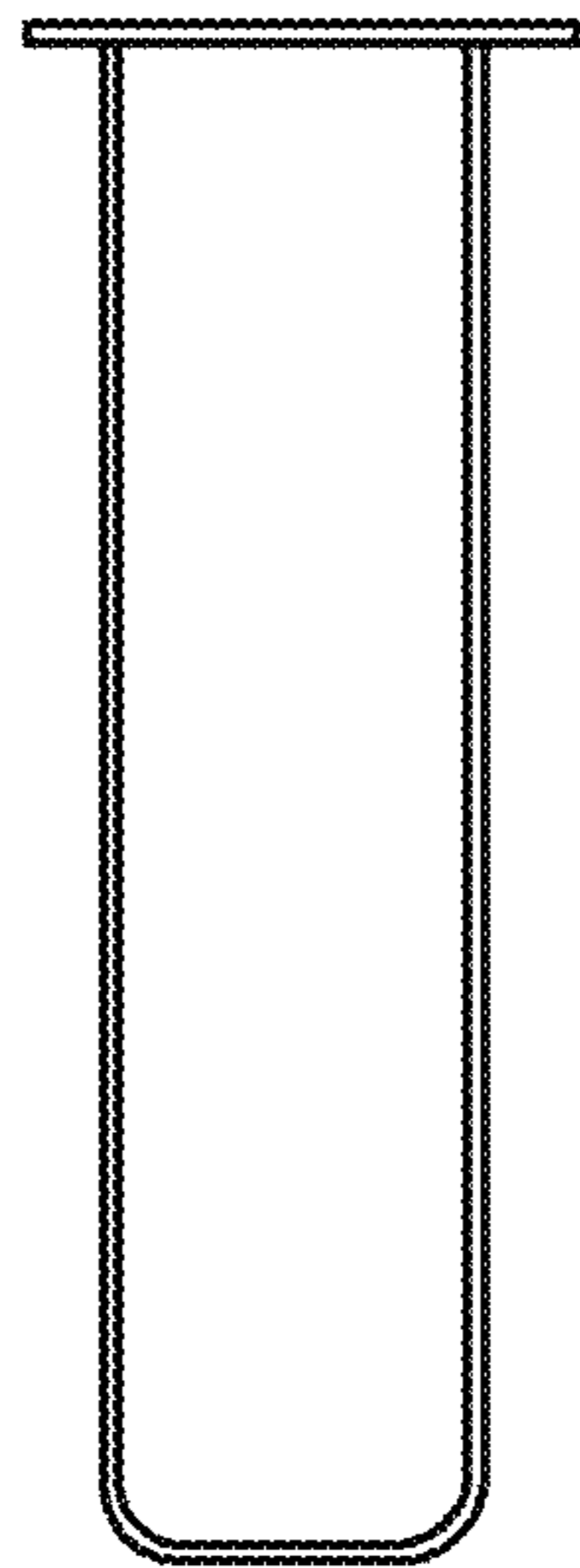


Fig. 10

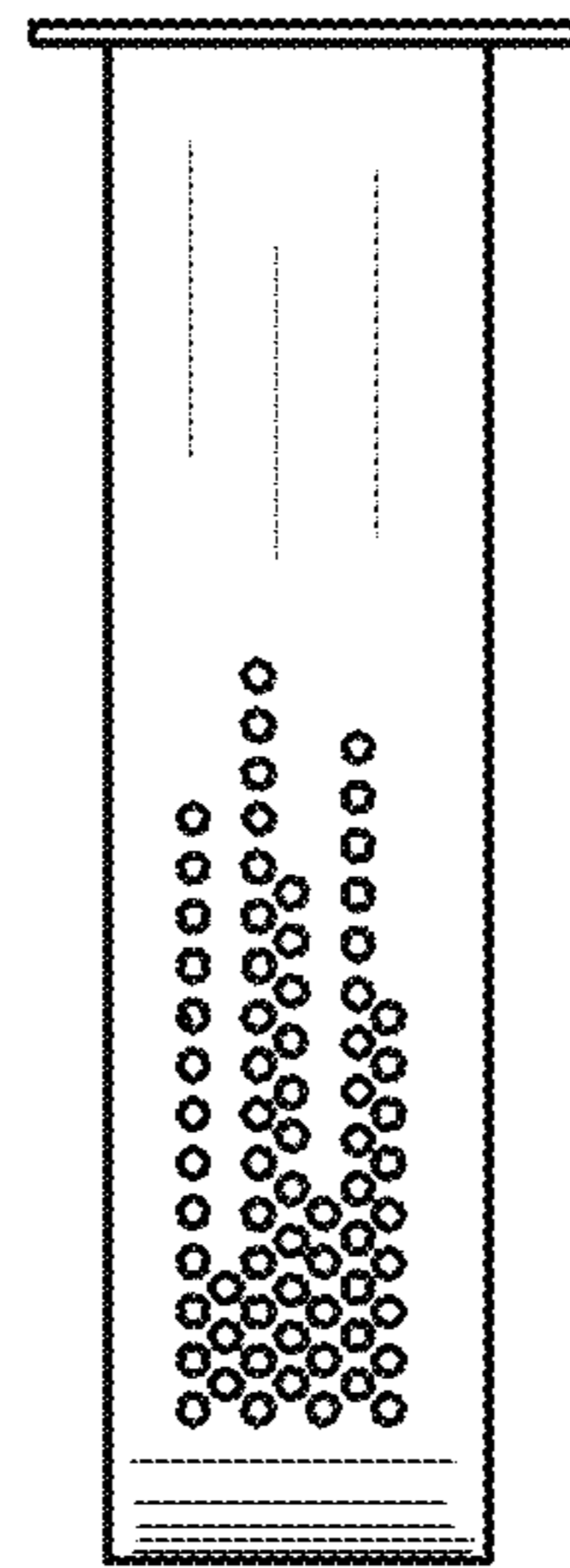


Fig. 11

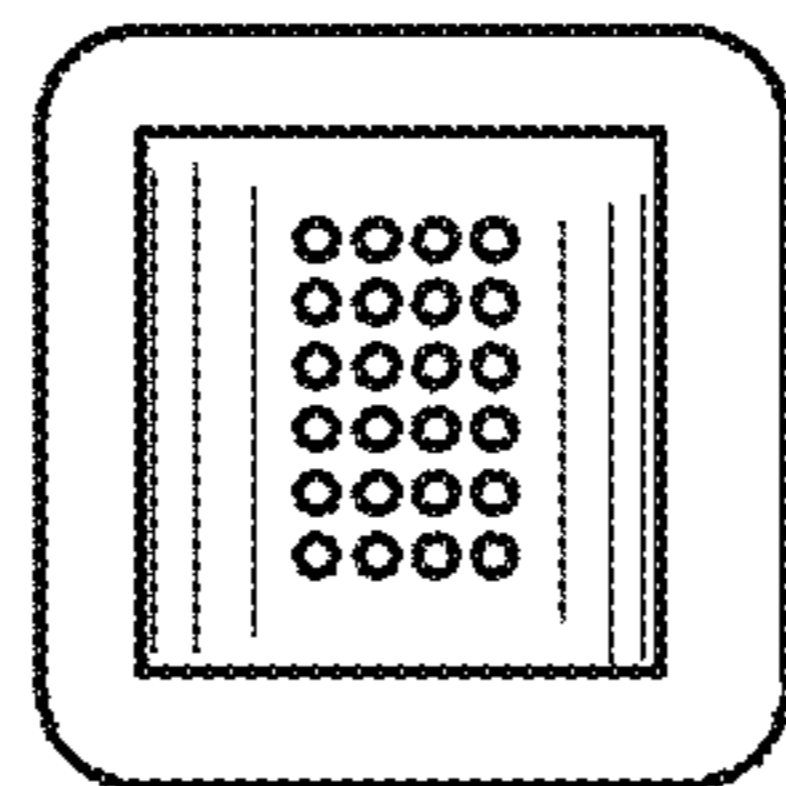


Fig. 12

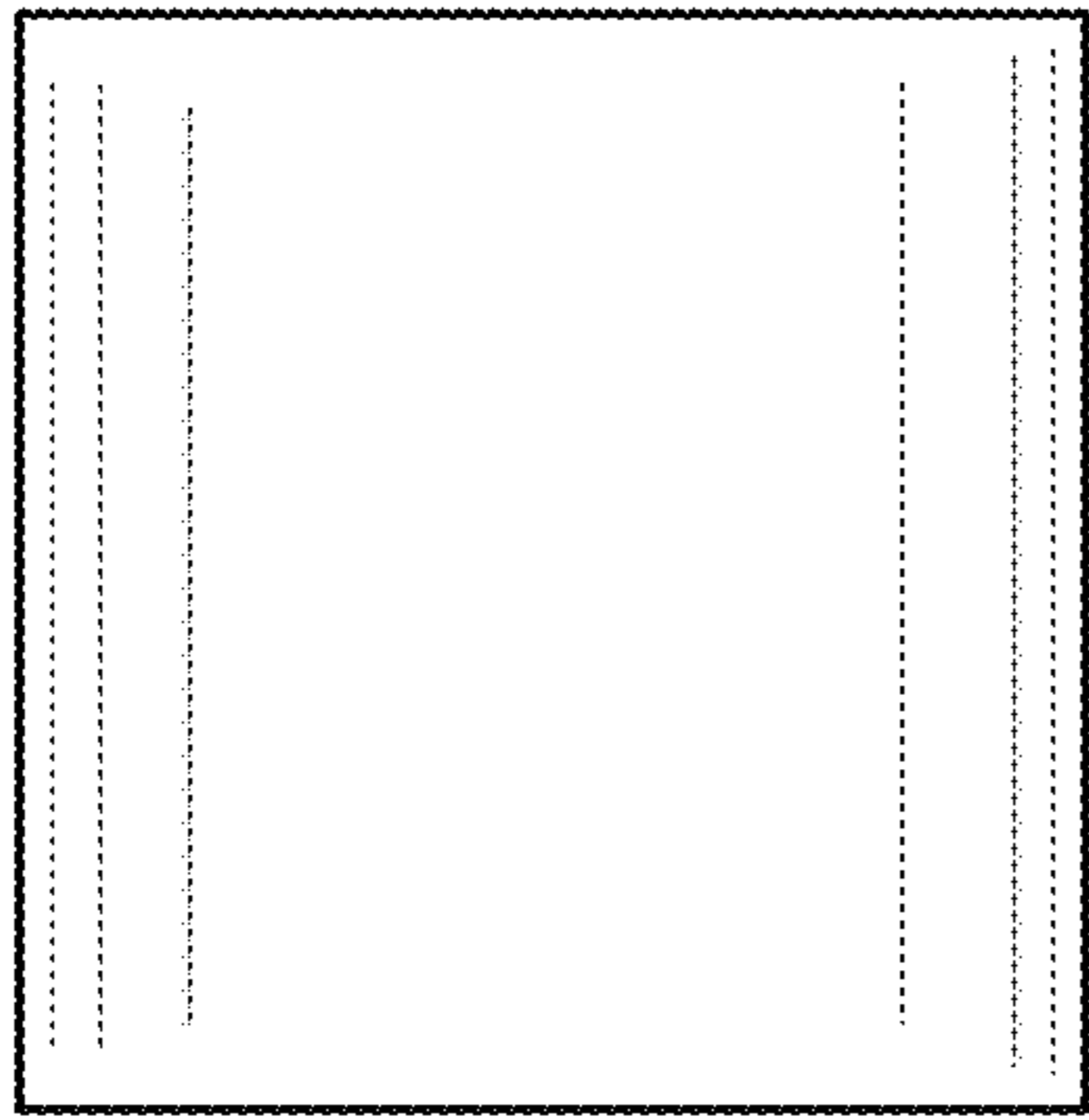


Fig. 14

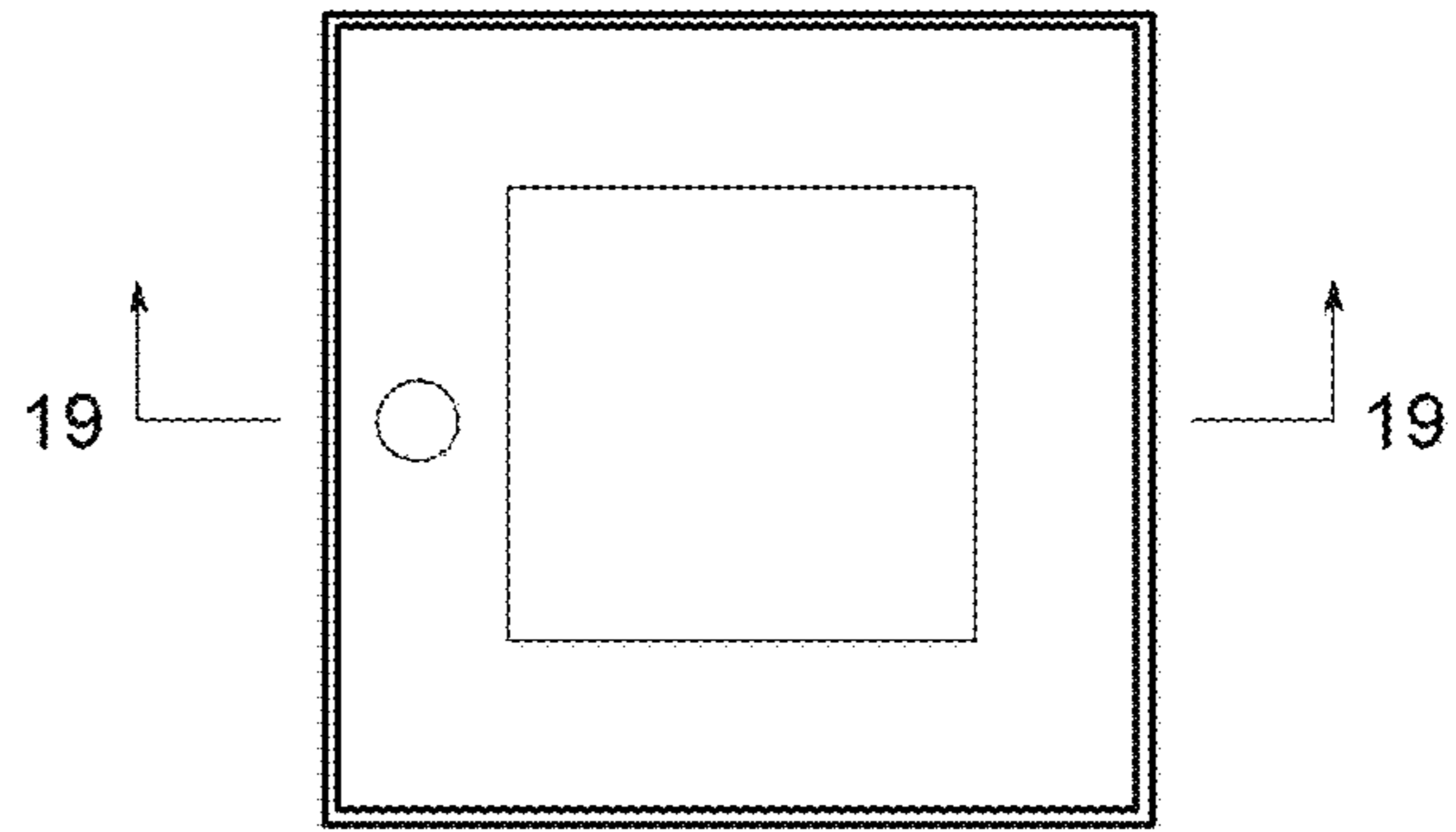


Fig. 17



Fig. 15

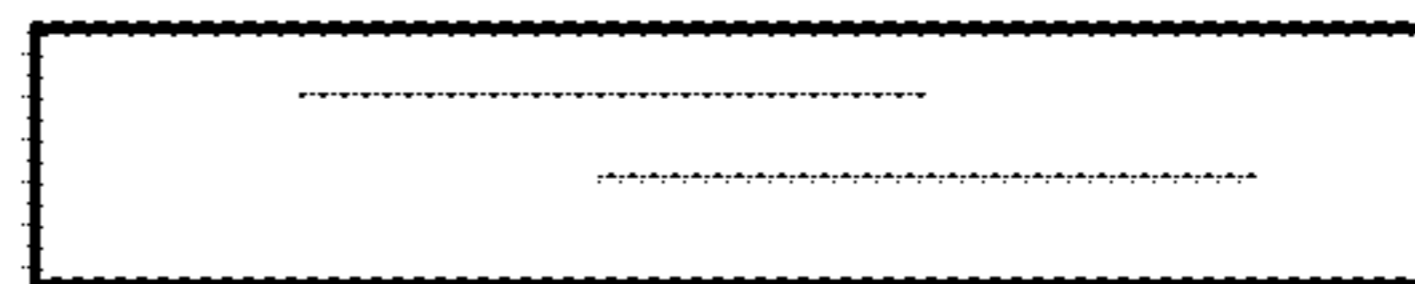


Fig. 18



Fig. 16



Fig. 19

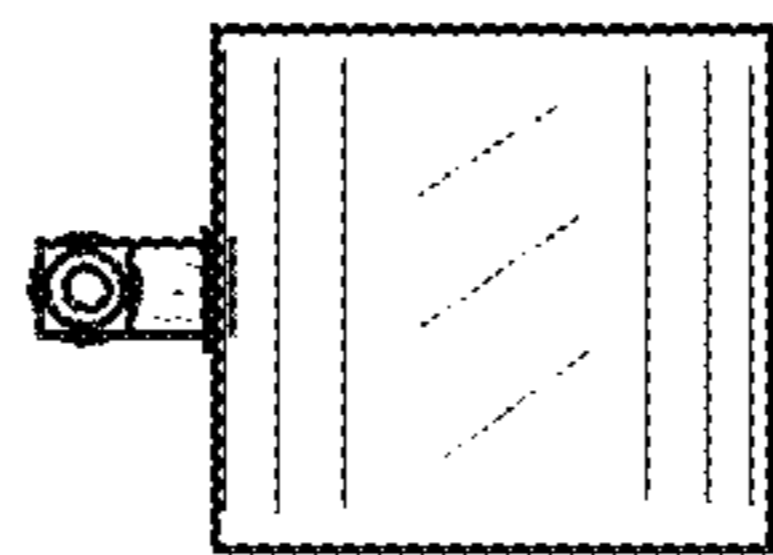


Fig. 24

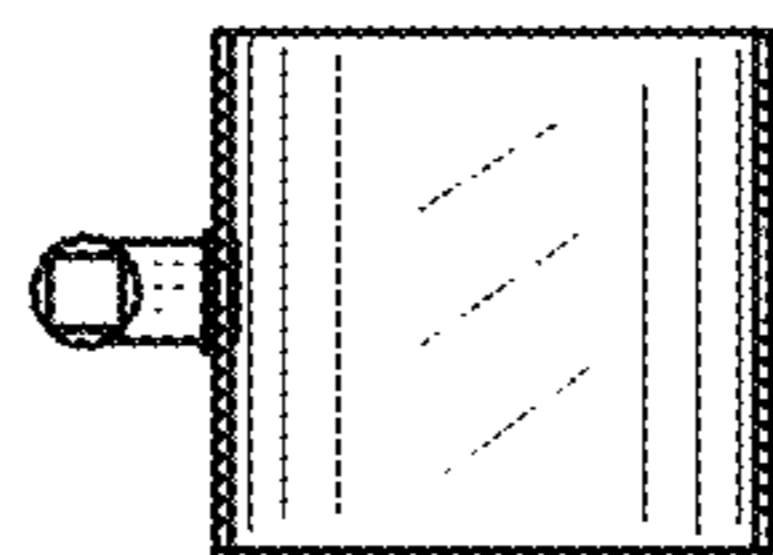


Fig. 23

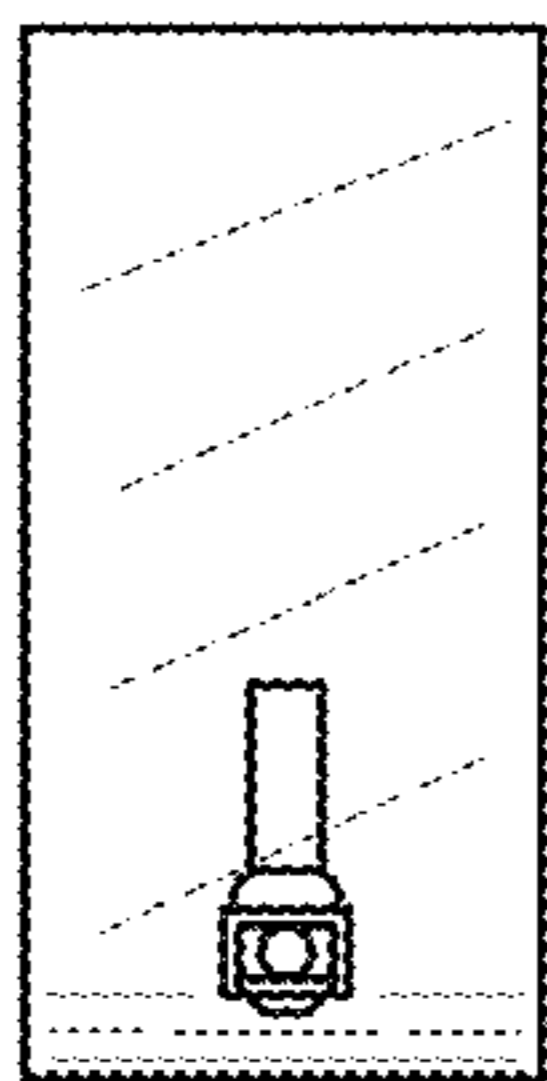


Fig. 20

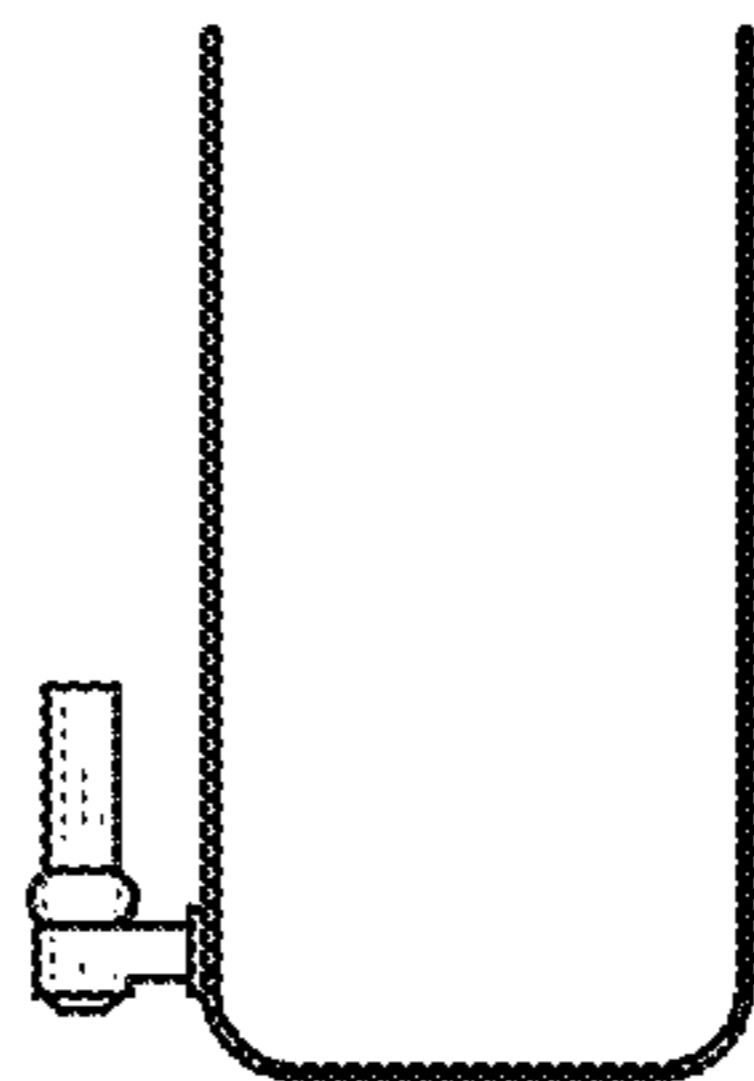


Fig. 21

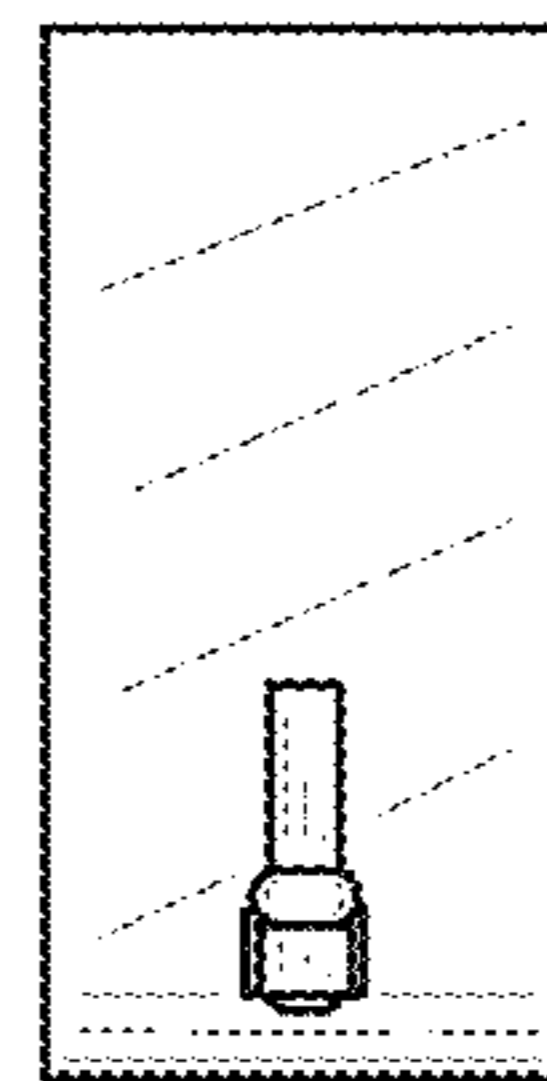


Fig. 22