



US00D801742S

(12) **United States Design Patent**
Nakamura et al.

(10) **Patent No.:** **US D801,742 S**

(45) **Date of Patent:** **** Nov. 7, 2017**

(54) **CHAIR**

(71) Applicant: **ITOKI CORPORATION**, Osaka-shi,
Osaka (JP)

(72) Inventors: **Yasuhiro Nakamura**, Tokyo (JP);
Keisuke Tanaka, Osaka (JP);
Yoshihiro Matsuzawa, Hakusan (JP);
Minoru Hashimoto, Osaka (JP)

(73) Assignee: **ITOKI CORPORATION**, Osaka-shi,
Osaka (JP)

(**) Term: **15 Years**

(21) Appl. No.: **29/562,571**

(22) Filed: **Apr. 27, 2016**

(30) **Foreign Application Priority Data**

Nov. 7, 2015 (JP) 2015-024908

(51) **LOC (10) Cl.** **06-01**

(52) **U.S. Cl.**
USPC **D6/716.4; D6/716; D6/334**

(58) **Field of Classification Search**

USPC ... D6/374, 375, 403, 405, 406.6, 654–654.1,
D6/678–678.2, 682.1–682.6, 684–686,
D6/691, 691.8–691.9, 698, 699, 705,
D6/705.5, 707.19, 708, 708.21, 716;
297/284.4, 452.28, 452.32–33, 452.37
CPC A47C 7/02; A47C 7/44; A47C 7/46; A47C
7/48; A47C 7/54; A47C 7/386; A47C
7/462; A47C 1/10; A47C 1/031; B60N
2/02; B60N 2/22; B60N 2/44

See application file for complete search history.

(56) **References Cited**

U.S. PATENT DOCUMENTS

D449,938 S * 11/2001 Vanderiet D6/369
D456,160 S * 4/2002 Van De Riet D6/366

D456,164 S * 4/2002 Vanderiet D6/374
D512,238 S * 12/2005 Chen D6/379
D541,067 S * 4/2007 Lin D6/373
D547,562 S * 7/2007 Su D6/373
D549,479 S * 8/2007 Su D6/373
D600,953 S * 9/2009 Kumazawa D6/373
D647,738 S * 11/2011 Chen D6/366
D659,446 S * 5/2012 Wu D6/716.1
D664,785 S * 8/2012 Fletcher D6/376
D667,242 S * 9/2012 Su D6/716
D686,858 S * 7/2013 Fletcher D6/716
D702,977 S * 4/2014 Bonneywell D6/366
D727,075 S * 4/2015 Usumoto D6/366
D742,154 S * 11/2015 Piretti D6/380
D761,049 S * 7/2016 Pan D6/716.4

(Continued)

Primary Examiner — Manpreet Matharu

Assistant Examiner — Keith Wilson

(74) *Attorney, Agent, or Firm* — Drinker Biddle & Reath
LLP

(57) **CLAIM**

The ornamental design for a chair, as shown and described.

DESCRIPTION

FIG. 1 is a perspective view of the top, front and right side of a chair showing our new design;

FIG. 2 is a perspective view of the top, rear and left side thereof;

FIG. 3 is a front view thereof;

FIG. 4 is a rear view thereof;

FIG. 5 is a top plan view thereof;

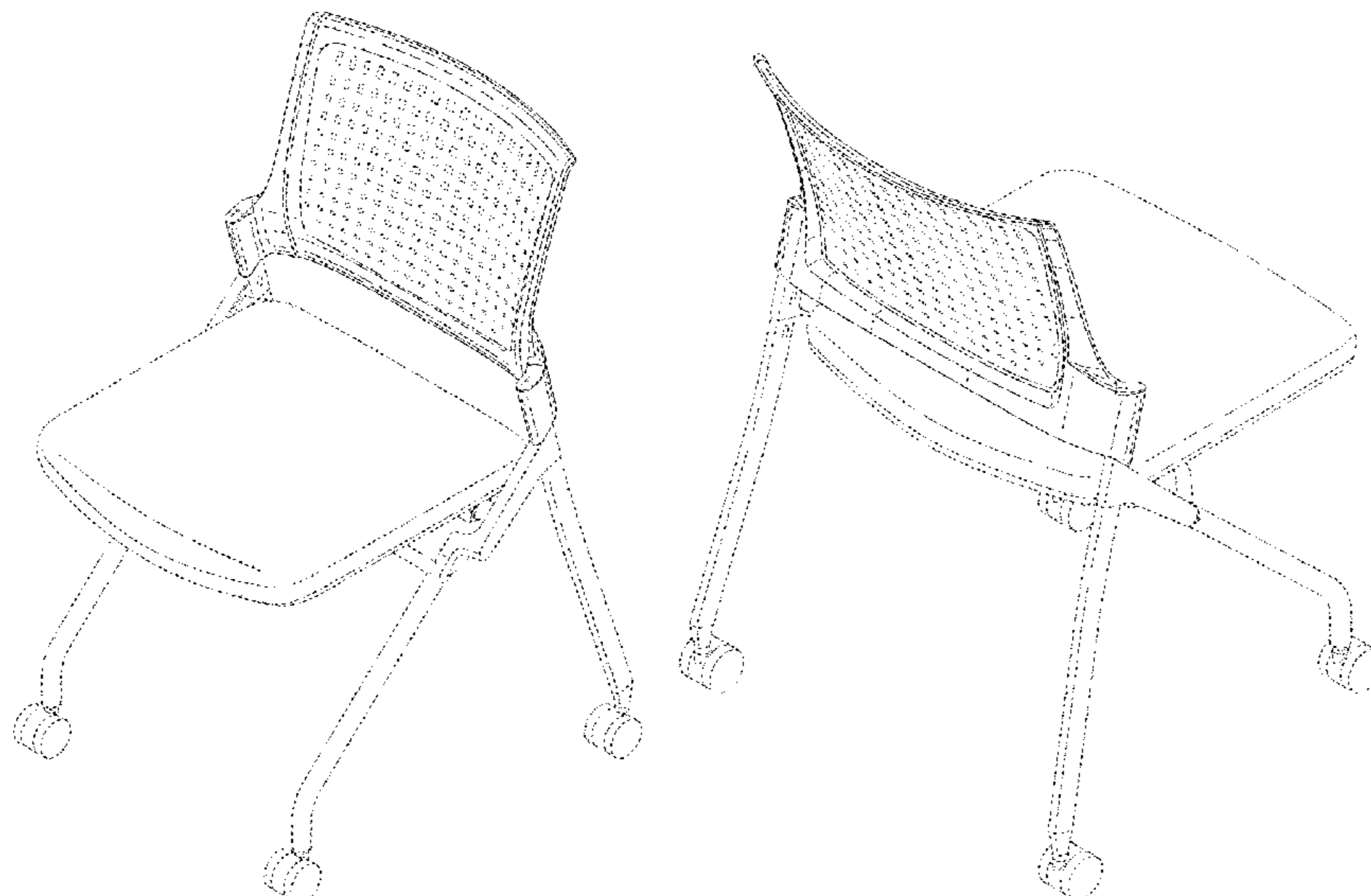
FIG. 6 is a bottom plan view thereof; and,

FIG. 7 is a right side view thereof, a left side view being a mirror image thereof.

The dash-dot broken lines depict boundaries of the claim and form no part thereof.

The dash-dash broken lines depict environment and form no part of the claimed design.

1 Claim, 7 Drawing Sheets



(56)

References Cited

U.S. PATENT DOCUMENTS

D770,823 S * 11/2016 Kumazawa D6/368
2002/0109380 A1 * 8/2002 VanDeRiet A47C 1/03272
297/239

* cited by examiner

Fig. 1

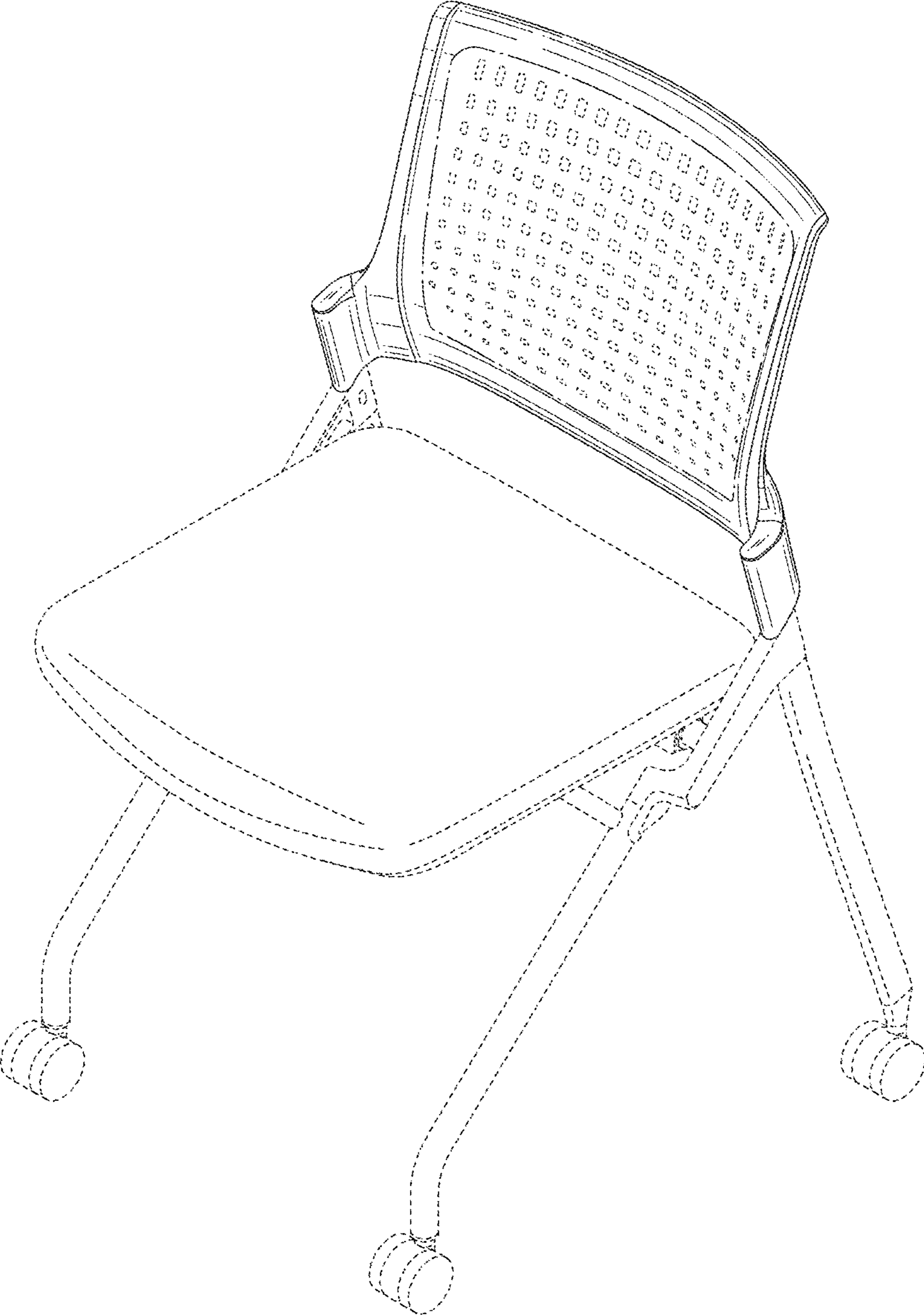


Fig. 2

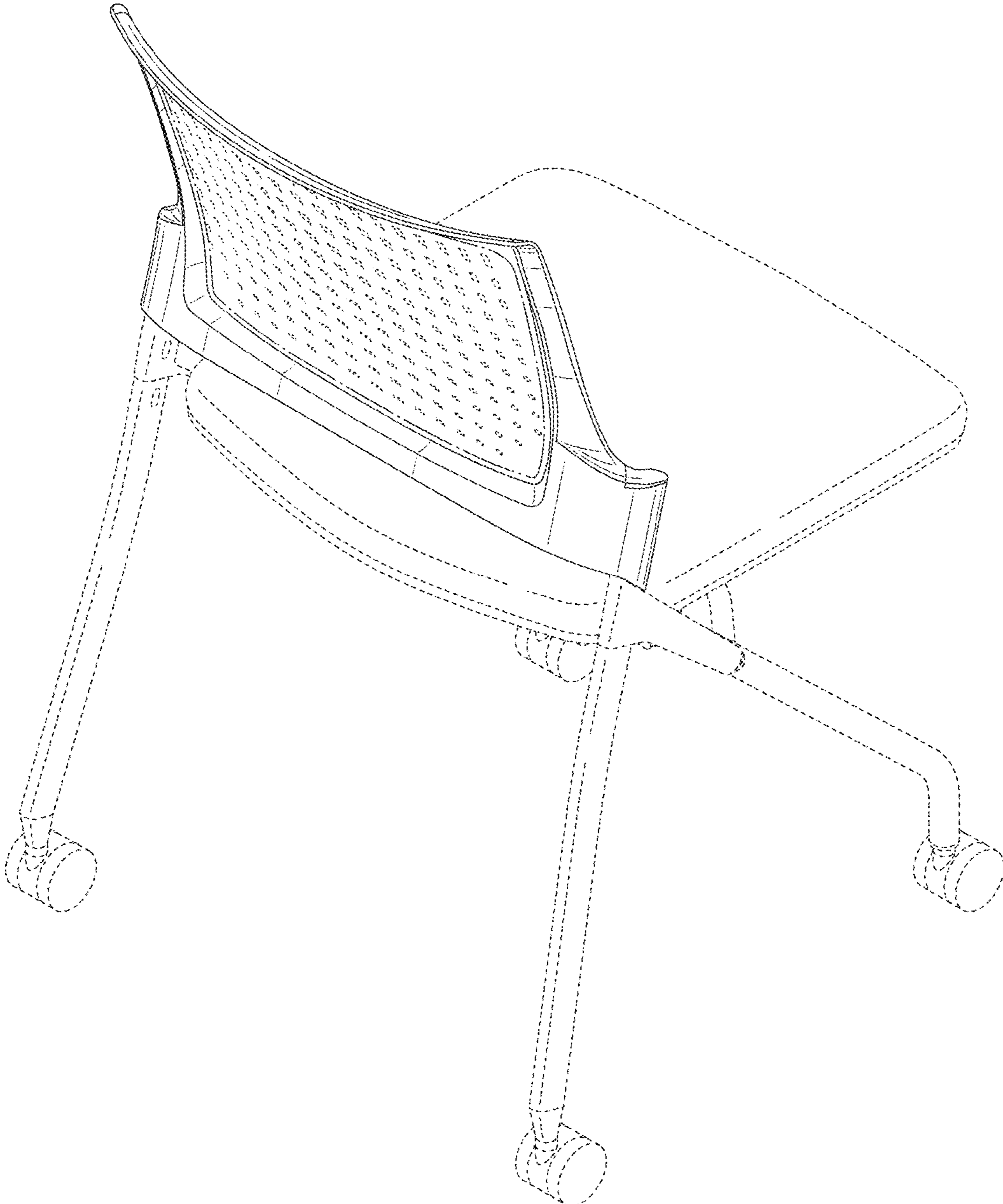


Fig. 3

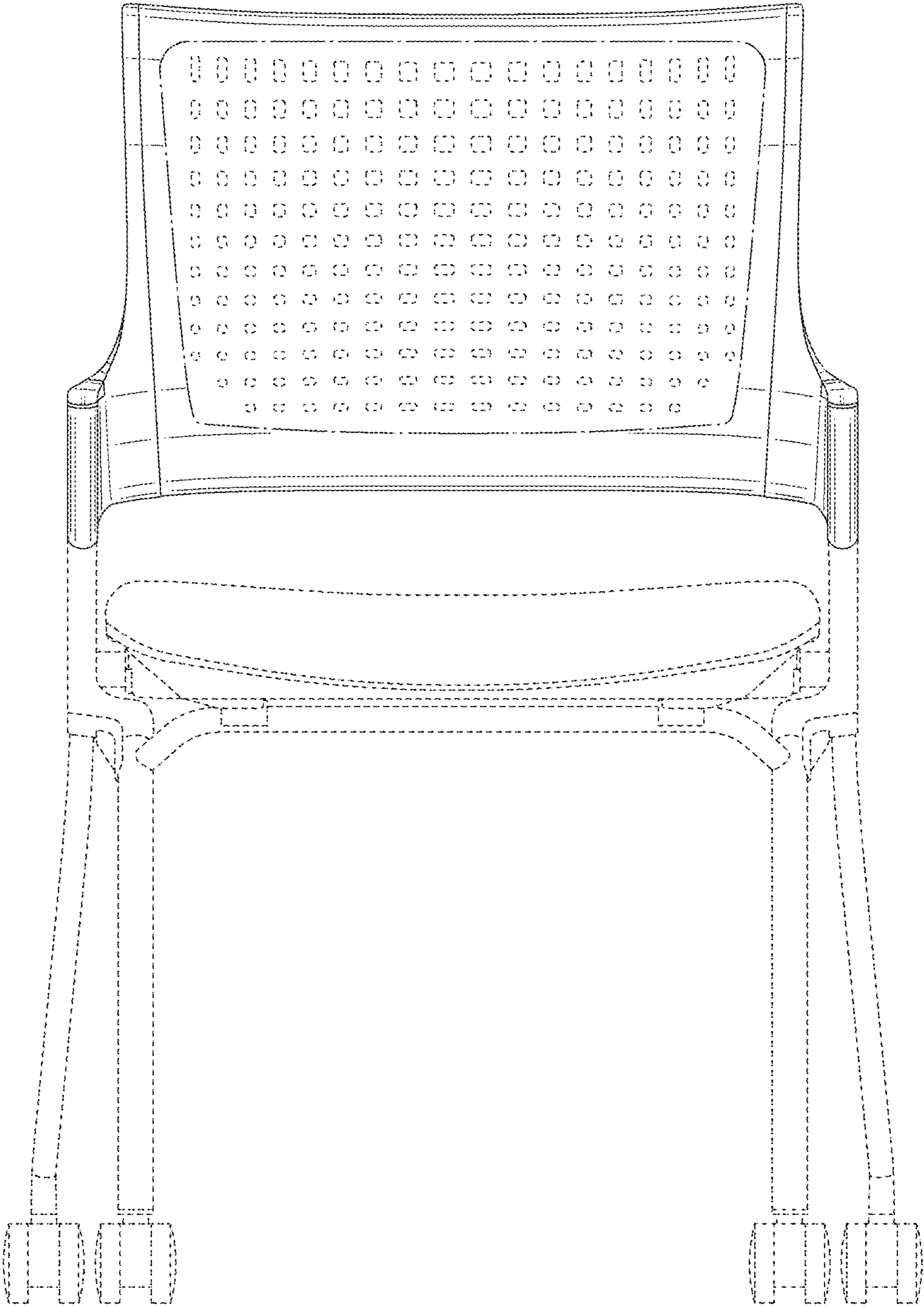


Fig. 4

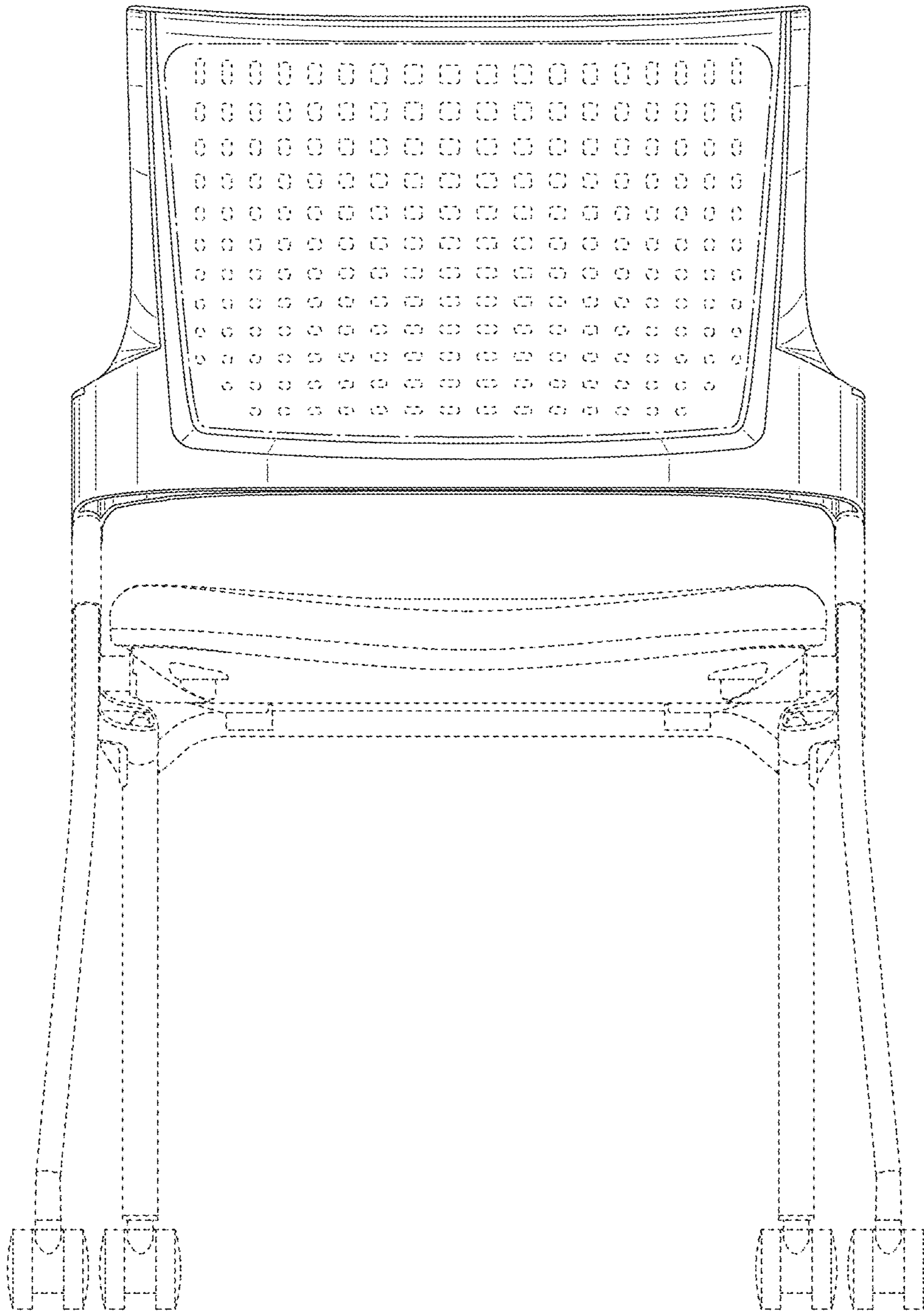


Fig. 5

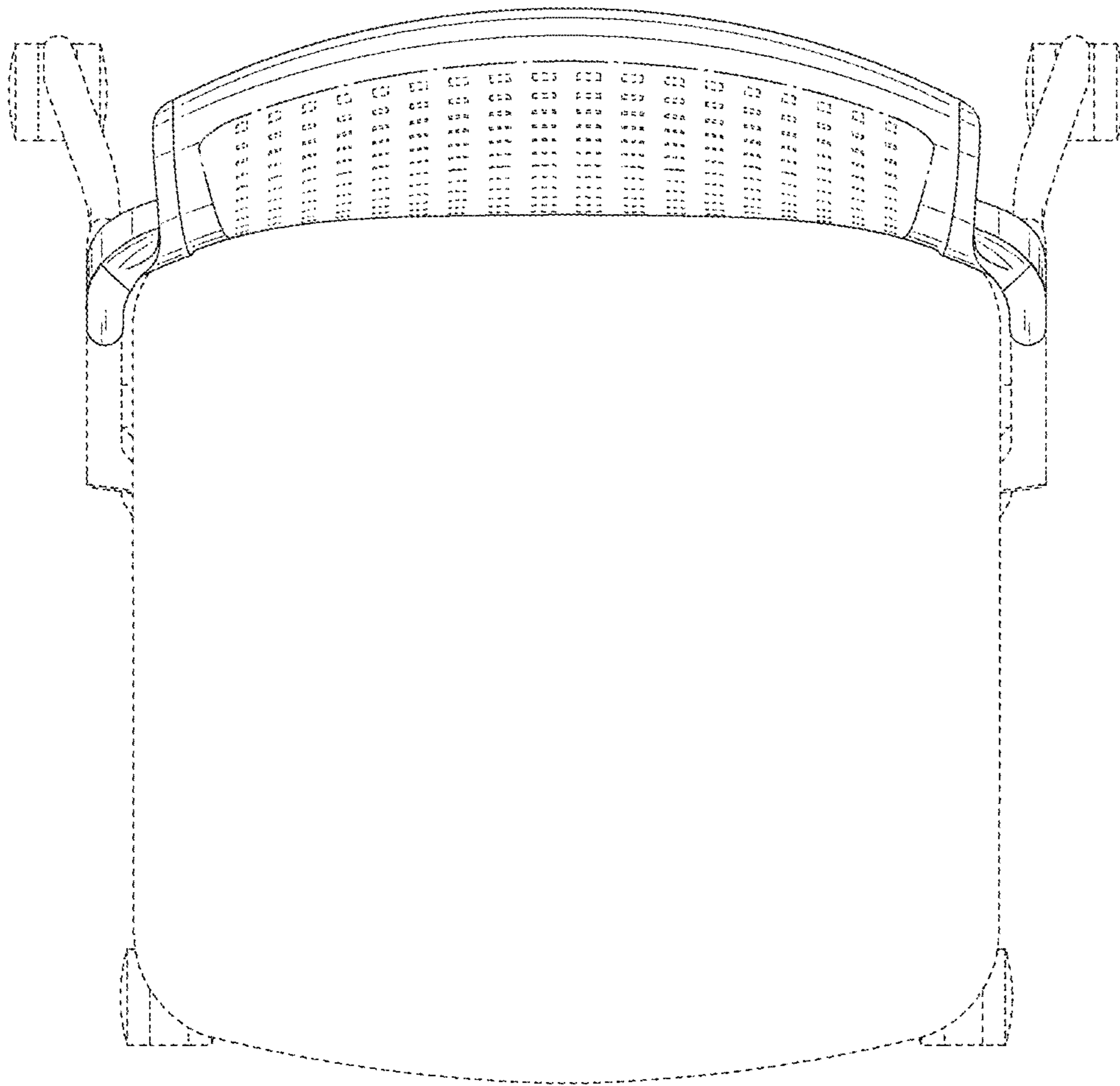


Fig. 6

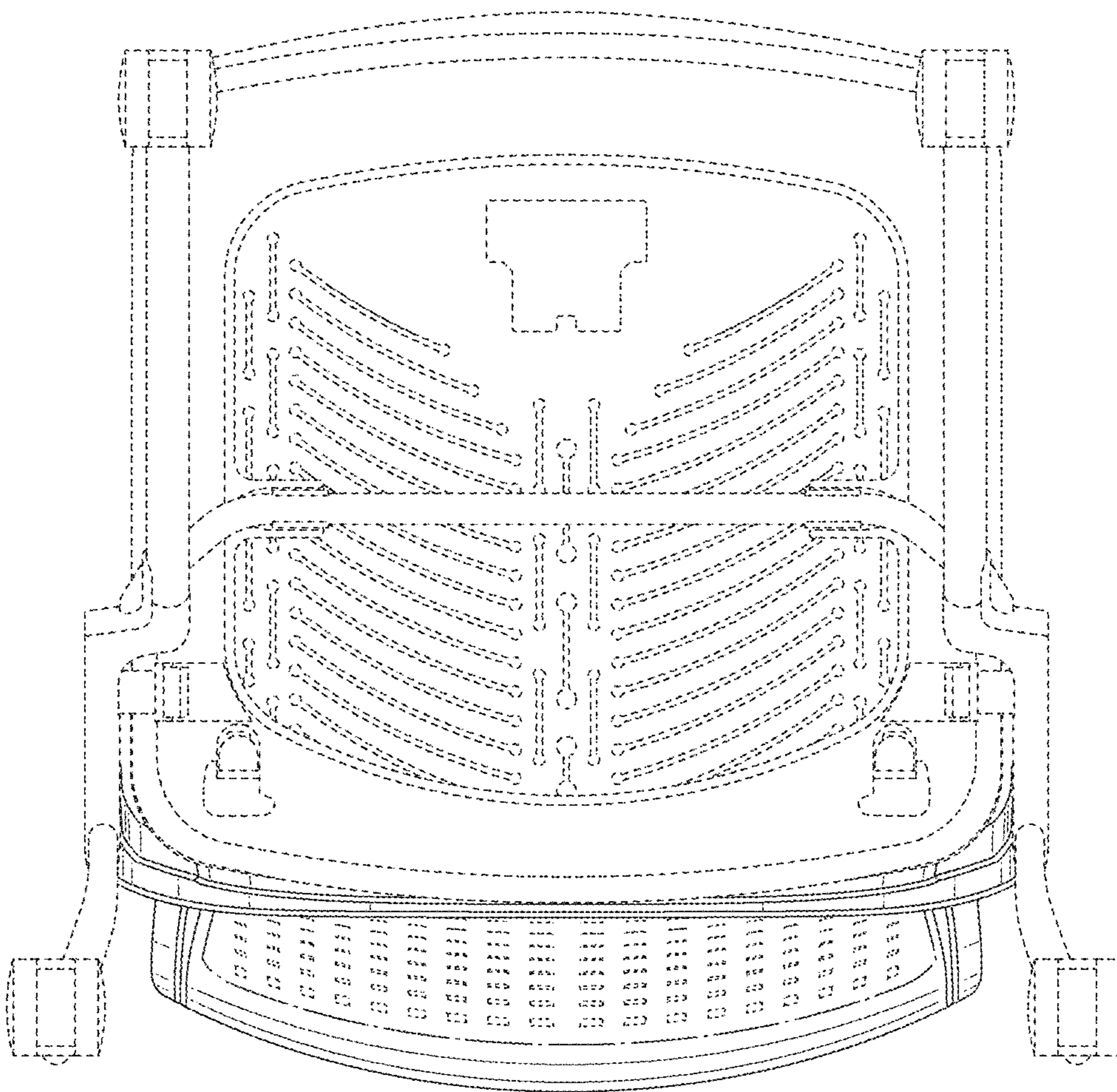


Fig. 7

