



US00D801741S

(12) **United States Design Patent** (10) **Patent No.:** **US D801,741 S**
Zhu (45) **Date of Patent:** **** Nov. 7, 2017**

(54) **OFFICE CHAIR**

(71) Applicant: **Warren Zhu**, Cambridge, MA (US)

(72) Inventor: **Warren Zhu**, Cambridge, MA (US)

(73) Assignee: **Warren Zhu**, Cambridge, MA (US)

(**) Term: **15 Years**

(21) Appl. No.: **29/554,360**

(22) Filed: **Feb. 10, 2016**

(51) **LOC (10) Cl.** **06-01**

(52) **U.S. Cl.**
USPC **D6/716; D6/366**

(58) **Field of Classification Search**
USPC D6/334-336, 364, 365, 366, 379, 380,
D6/716, 716.1, 716.2, 716.4
CPC A47C 7/38; A47C 7/40; A47C 7/46; A47C
7/022; A47C 7/282; A47C 4/028; A47C
7/54; A47C 7/004; B60N 2/66
See application file for complete search history.

(56) **References Cited**

U.S. PATENT DOCUMENTS

D445,580 S * 7/2001 Pennington D6/366
D505,798 S * 6/2005 Seiler D6/366

D534,384 S * 1/2007 Su D6/366
D576,814 S * 9/2008 Baldanzi D6/366
D650,617 S * 12/2011 Chen D6/366
D652,647 S * 1/2012 Schaack D6/366
D665,590 S * 8/2012 Wagner D6/366
D694,541 S * 12/2013 Breen D6/366
D695,538 S * 12/2013 Geelen D6/366
D697,330 S * 1/2014 Chen D6/366
D724,367 S * 3/2015 Sander D6/366
D763,587 S * 8/2016 Neil D6/366
9,648,957 B2 * 5/2017 Su A47C 7/46

* cited by examiner

Primary Examiner — Mimosa De

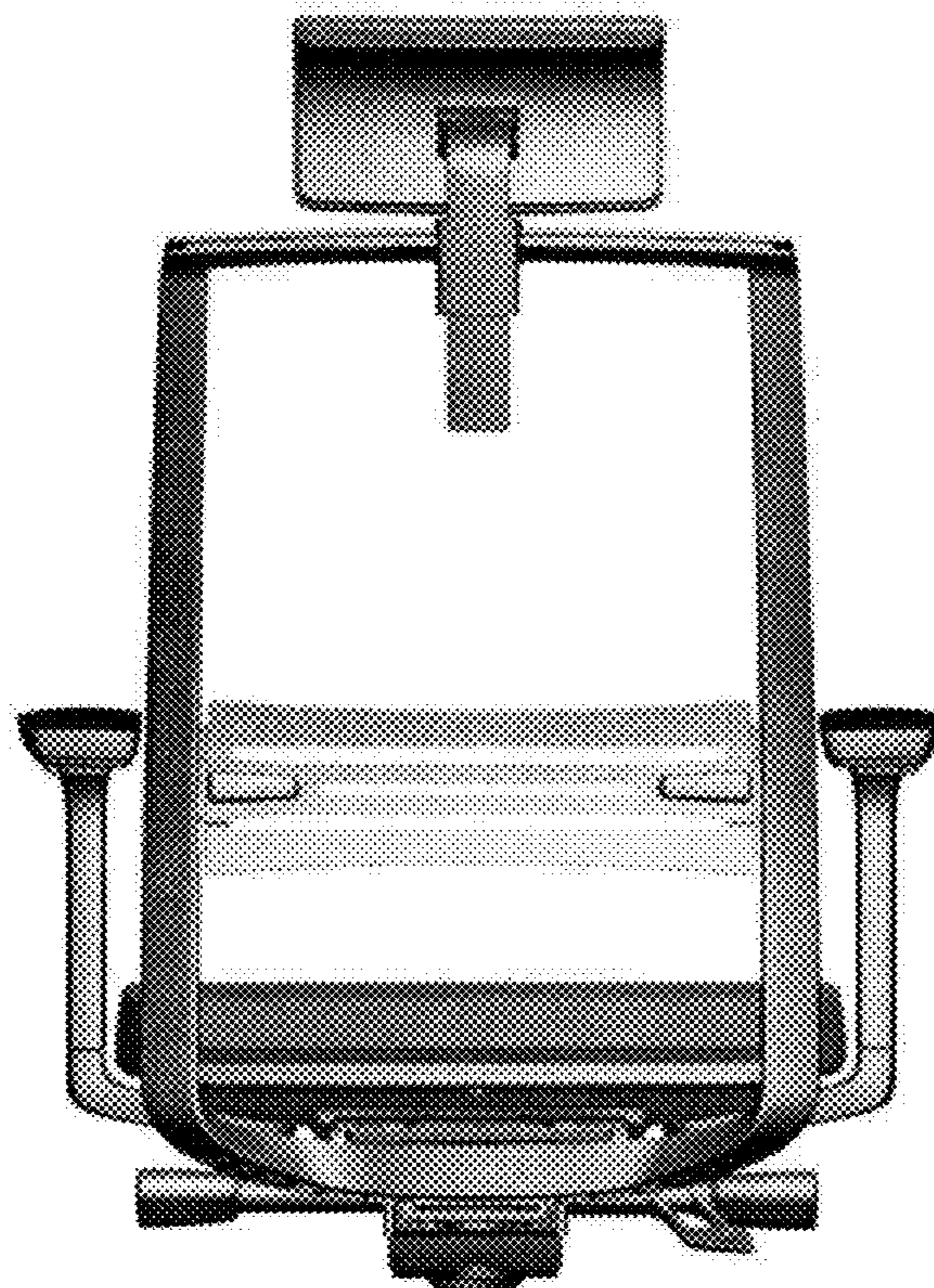
(57) **CLAIM**

The ornamental design for an office chair, as claimed and described.

DESCRIPTION

FIG. 1 is a front elevational view;
FIG. 2 is a rear elevational view;
FIG. 3 is a left elevational view;
FIG. 4 is a right elevational view;
FIG. 5 is a top plan view;
FIG. 6 is a bottom plan view;
FIG. 7 is a front perspective view; and,
FIG. 8 is a rear perspective view.

1 Claim, 3 Drawing Sheets



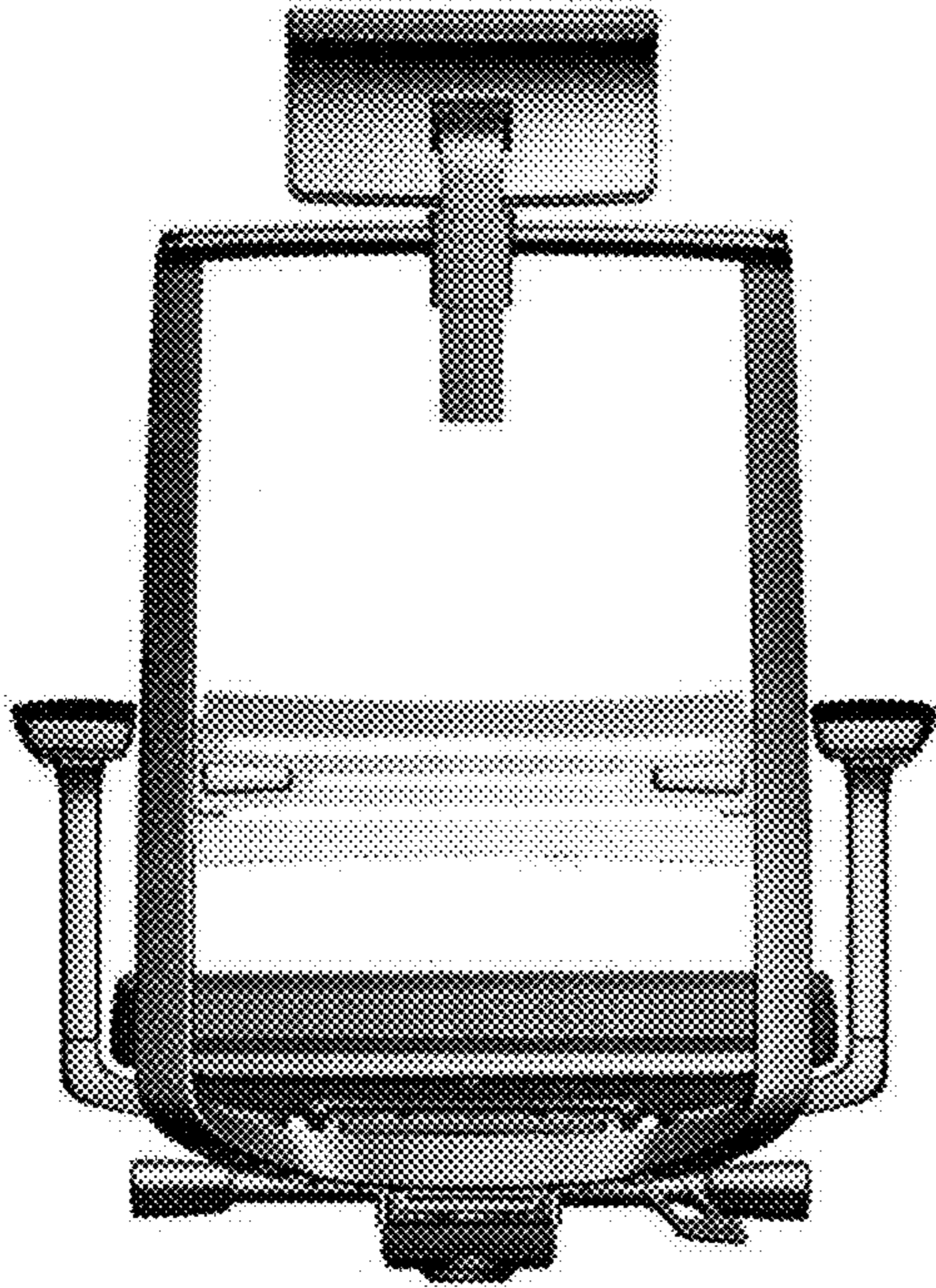


FIG.1

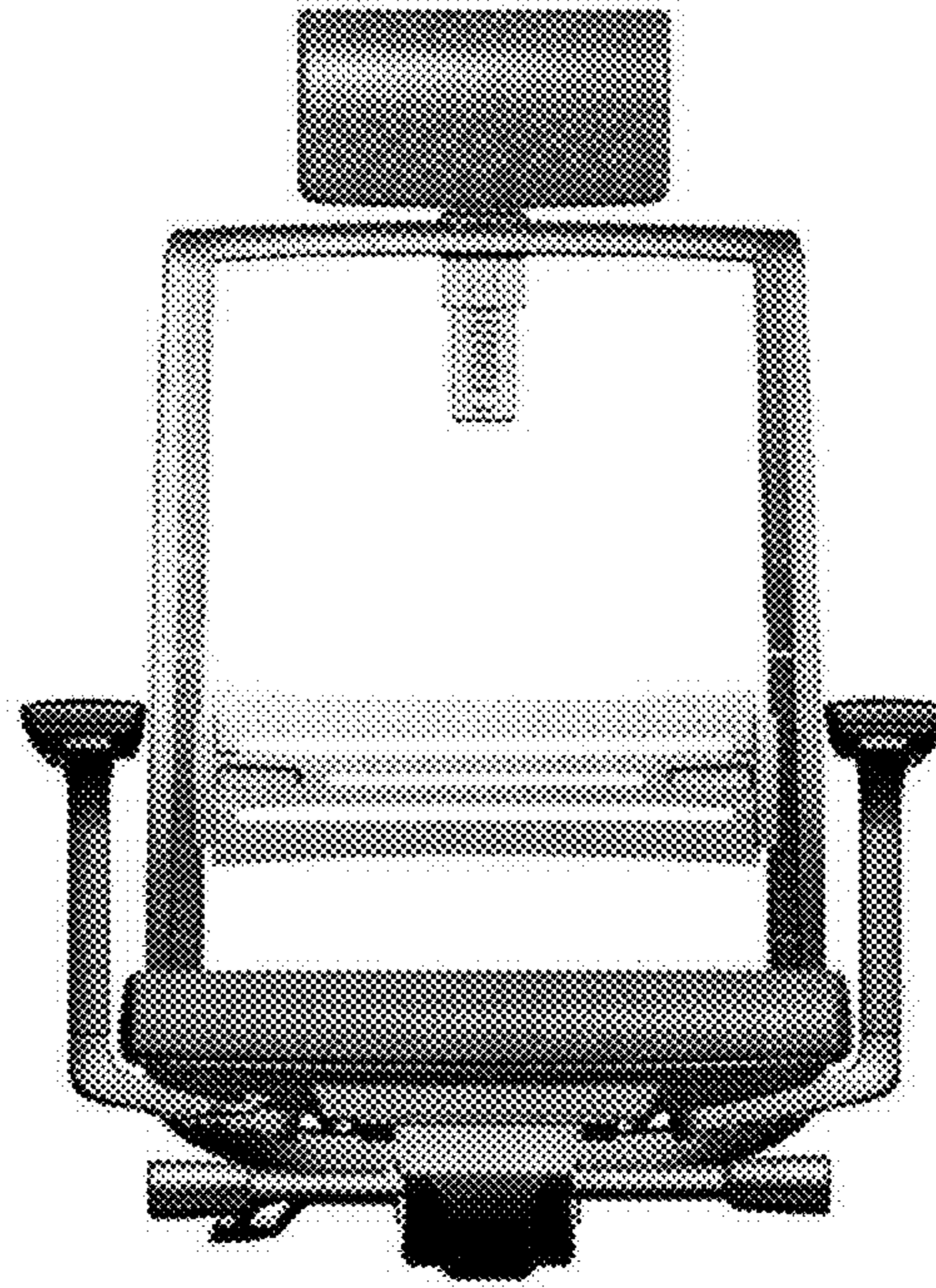


FIG.2



FIG.3



FIG.4

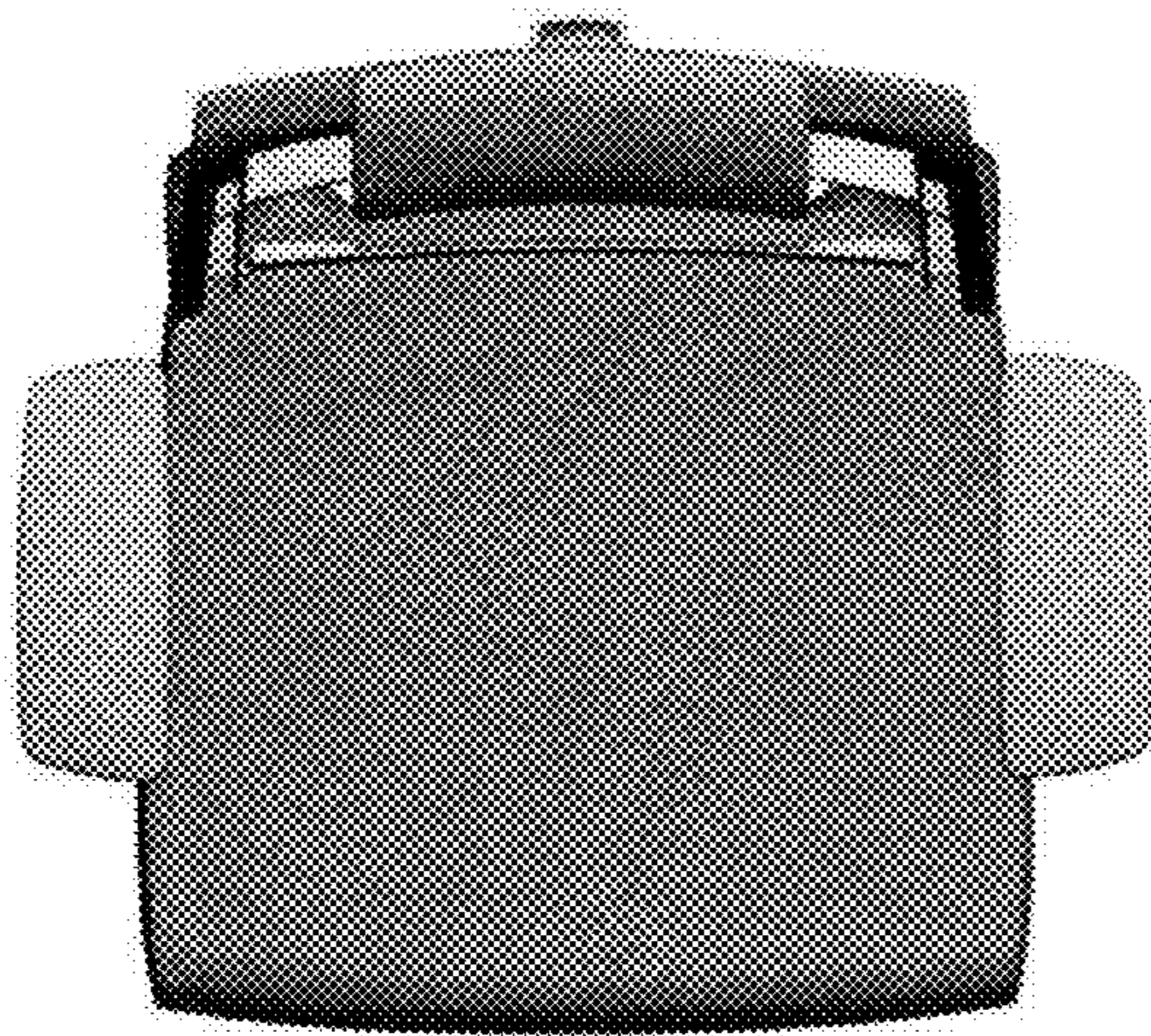


FIG.5

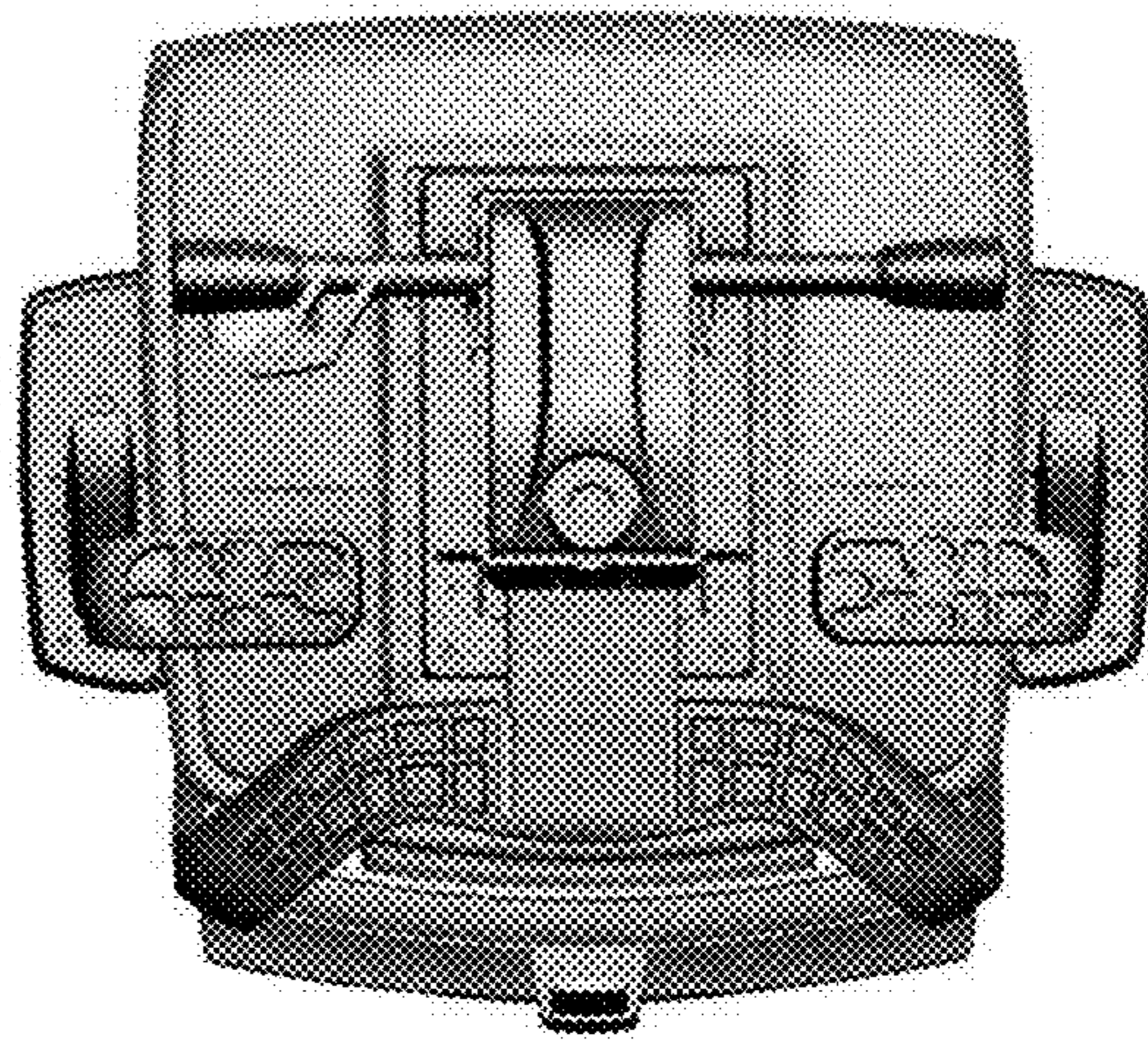


FIG.6



FIG. 7



FIG. 8