



US00D801740S

(12) **United States Design Patent** (10) **Patent No.:** **US D801,740 S**
Schroeder et al. (45) **Date of Patent:** **** Nov. 7, 2017**

(54) **SEAT** 4,843,661 A 7/1989 Skibinski
4,854,638 A 8/1989 Marcus et al.
(71) Applicant: **Innovations US LLC**, Brown Deer, WI (US) 4,893,826 A * 1/1990 Ward A61G 5/00
280/47.4
4,922,560 A 5/1990 Skibinski
(72) Inventors: **Harold F. Schroeder**, Brown Deer, WI (US); **Badsha Das**, Alpharetta, GA (US); **Sakshi Sethi**, Alpharetta, GA (US) 5,116,100 A 5/1992 Iversen
5,301,968 A * 4/1994 Ward A61G 5/00
280/47.4
5,316,370 A 5/1994 Newman
(Continued)

(73) Assignee: **Innovations US LLC**, Brown Deer, WI (US)

FOREIGN PATENT DOCUMENTS

(**) Term: **15 Years**

DE 203258 A 6/1907

(21) Appl. No.: **29/549,297**

OTHER PUBLICATIONS

(22) Filed: **Dec. 21, 2015**

Notification of Transmittal of the International Search Report and the Written Opinion for International Application No. PCT/2015/066974, mailed Feb. 23, 2016, 8 pages.

(51) **LOC (10) Cl.** **06-01**

(52) **U.S. Cl.**
USPC **D6/716**

Primary Examiner — Mimosa De
(74) *Attorney, Agent, or Firm* — John P. Zimmer; Smith Moore Leatherwood LLP

(58) **Field of Classification Search**
USPC D6/334–336, 371–373, 374, 375, 376,
D6/379, 380, 716, 716.1, 716.2, 716.3;
D12/131, 133

CPC . A61G 5/00; A61G 5/14; A61G 5/125; A61G
13/1235; A47D 1/103; A47C 1/16; A47C
7/54

(57) **CLAIM**

The ornamental design for a seat, as shown and described.

See application file for complete search history.

DESCRIPTION

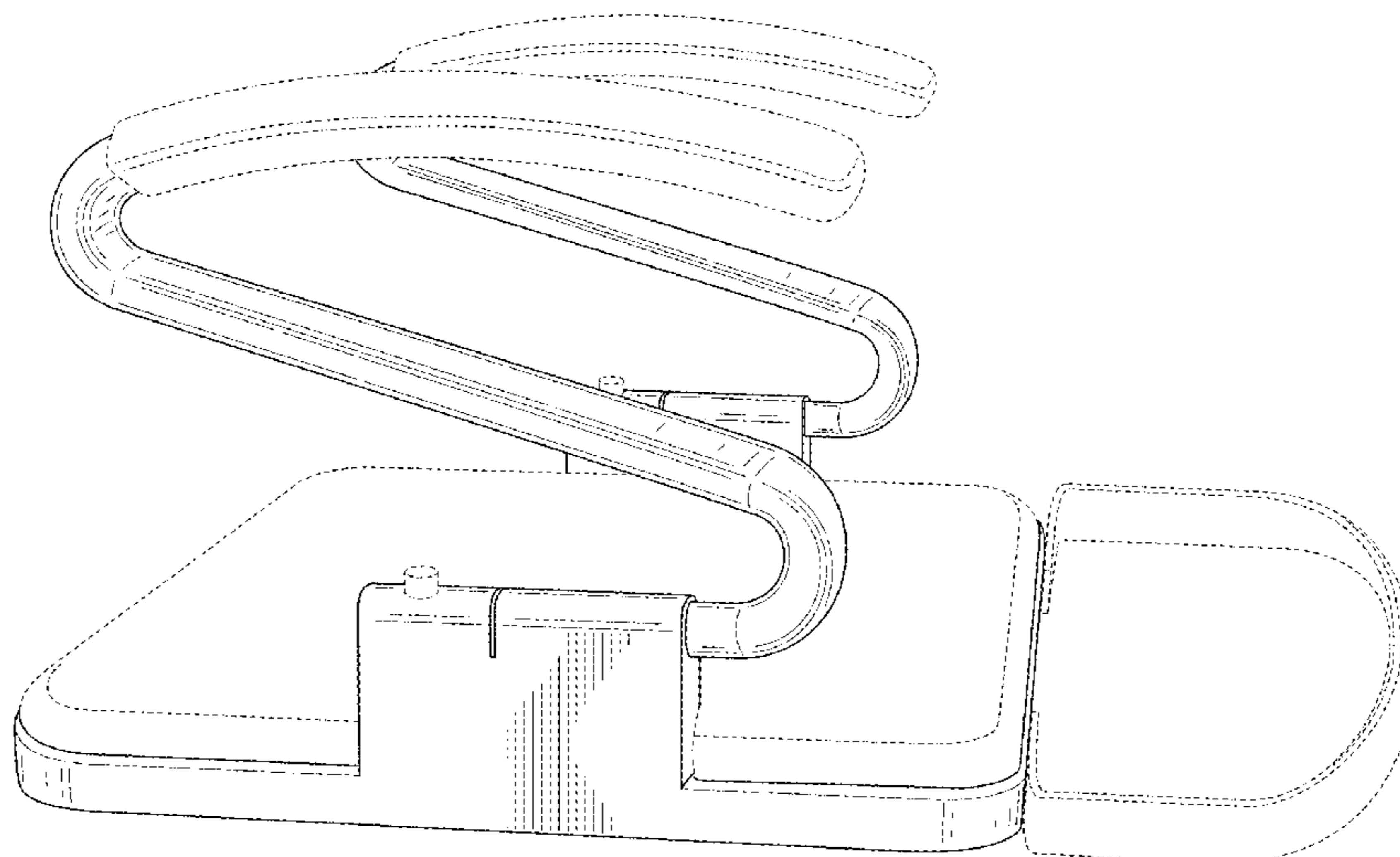
(56) **References Cited**

U.S. PATENT DOCUMENTS

2,496,205 A 1/1950 Grieb
2,605,815 A * 8/1952 Zoranovich A47D 1/103
248/157
2,690,208 A * 9/1954 Mary A61G 5/00
297/338
2,721,603 A * 10/1955 Faulconer A47D 1/103
297/130
3,253,860 A * 5/1966 Shapiro A47D 1/103
297/134
4,799,731 A * 1/1989 Brown A47C 1/16
297/144

FIG. 1 is a perspective view of a seat showing our new design;
FIG. 2 is a rear end view thereof;
FIG. 3 is a front end view thereof;
FIG. 4 is a left-side elevational view thereof;
FIG. 5 is a right-side elevational view thereof;
FIG. 6 is a top plan view thereof; and,
FIG. 7 is a bottom plan view thereof.
The dashed broken lines shown in the drawing figures are for illustrative purposes only and form no part of the claimed design.

1 Claim, 7 Drawing Sheets



(56)

References Cited

U.S. PATENT DOCUMENTS

5,368,362	A *	11/1994	Ramon	A61G 5/00 248/188.7
D402,127	S *	12/1998	Donnelly	D6/716
5,897,462	A *	4/1999	St. Germain	A61G 5/00 297/18
5,898,953	A	5/1999	Paxon	
5,918,936	A	7/1999	Murphy	
D418,336	S *	1/2000	Maxwell	D6/716
6,035,462	A	3/2000	Bennett et al.	
6,050,644	A	4/2000	Neal	
6,449,783	B1	9/2002	Moser	
6,702,383	B2	3/2004	Newman et al.	
7,032,970	B1	4/2006	Kharat	
7,472,445	B2 *	1/2009	Miller	A61G 5/14 5/652
7,862,122	B1	1/2011	Shammas	
8,662,581	B1	3/2014	Behbehani	
9,241,854	B2 *	1/2016	Gentile	A61G 5/14
9,561,146	B2 *	2/2017	Miller	A61G 5/14
9,649,236	B1 *	5/2017	Wike, Jr.	A61G 5/14
2003/0067198	A1	4/2003	Treen et al.	

* cited by examiner

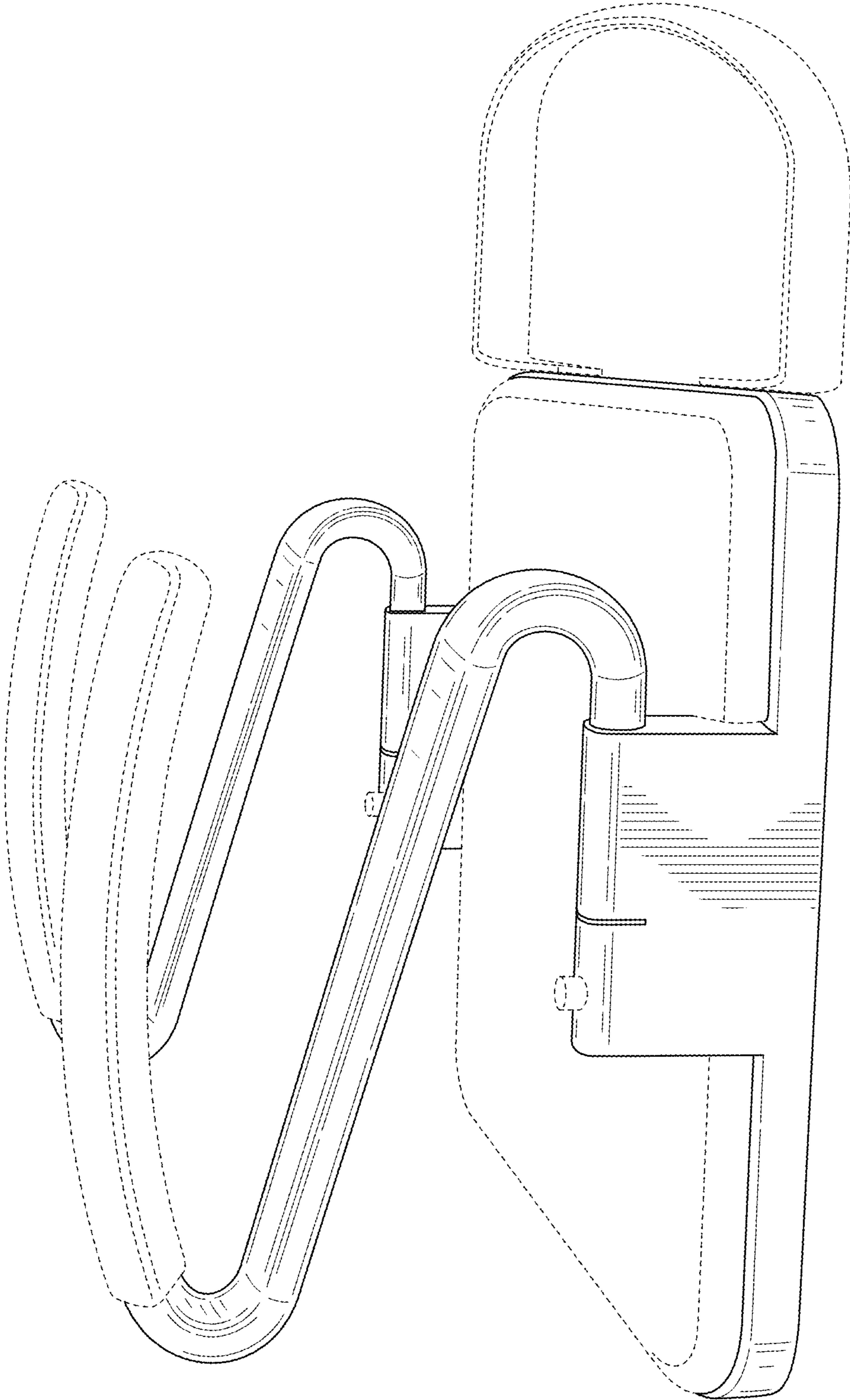


FIG. 1

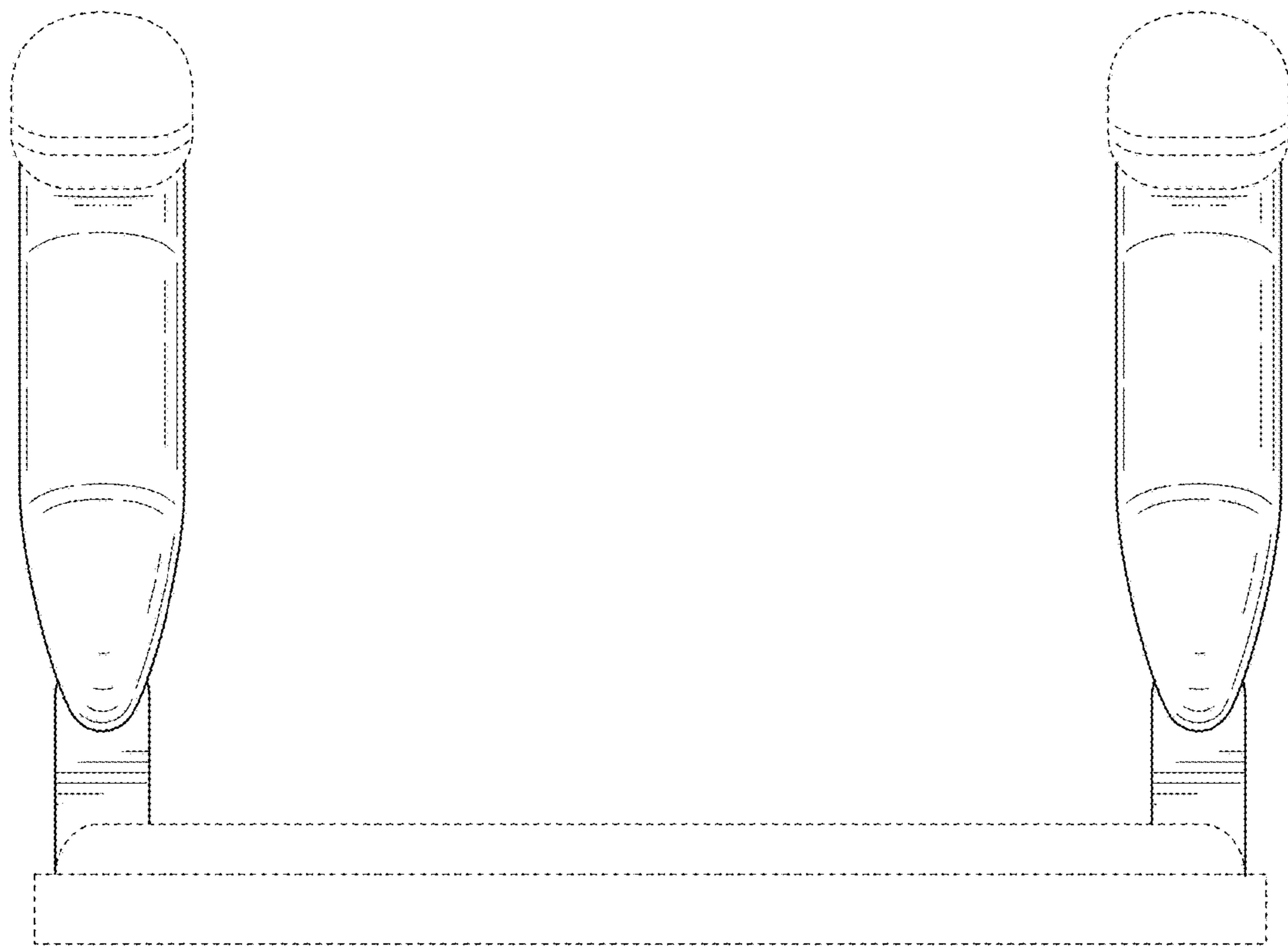


FIG. 2

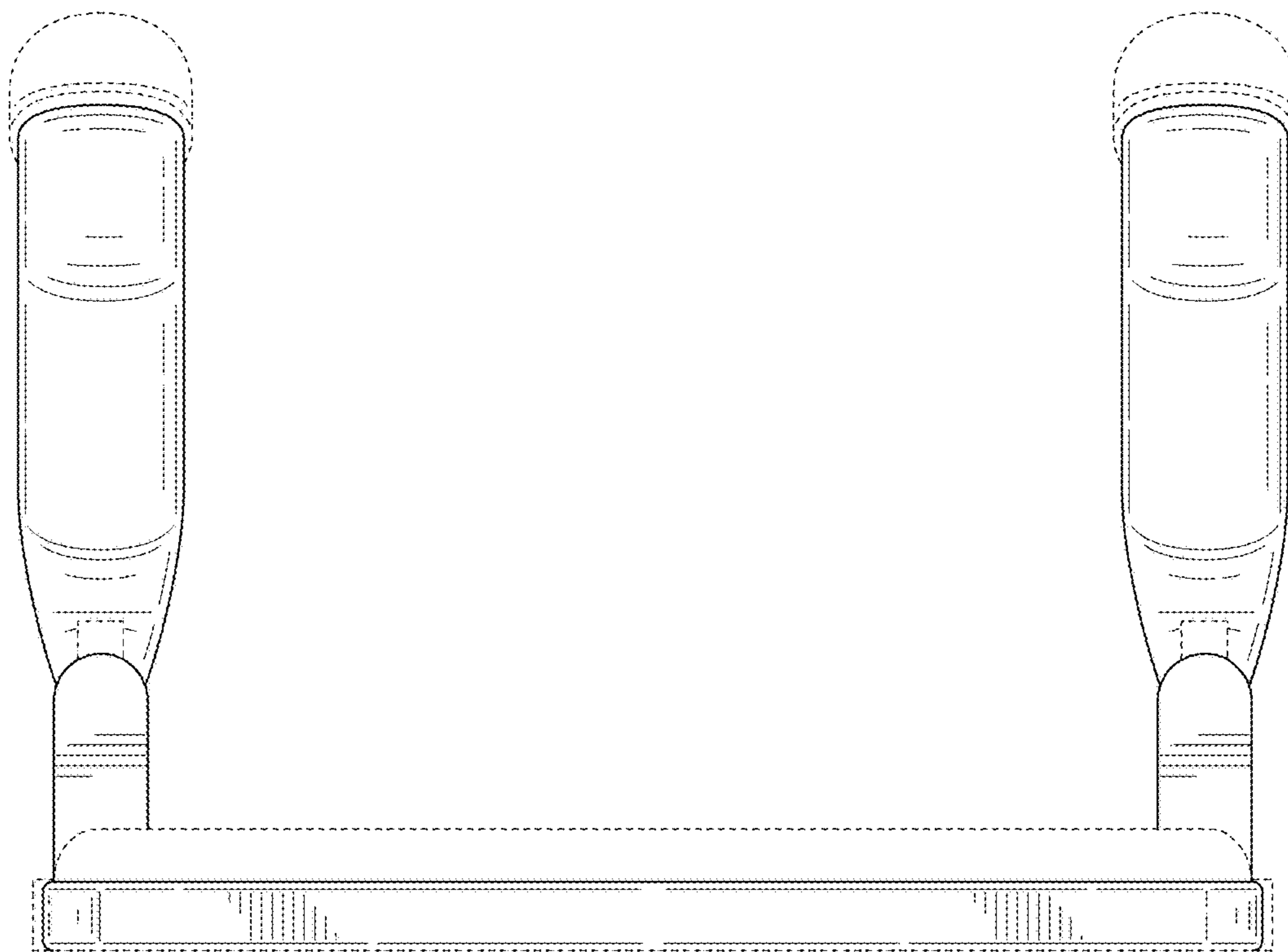


FIG. 3

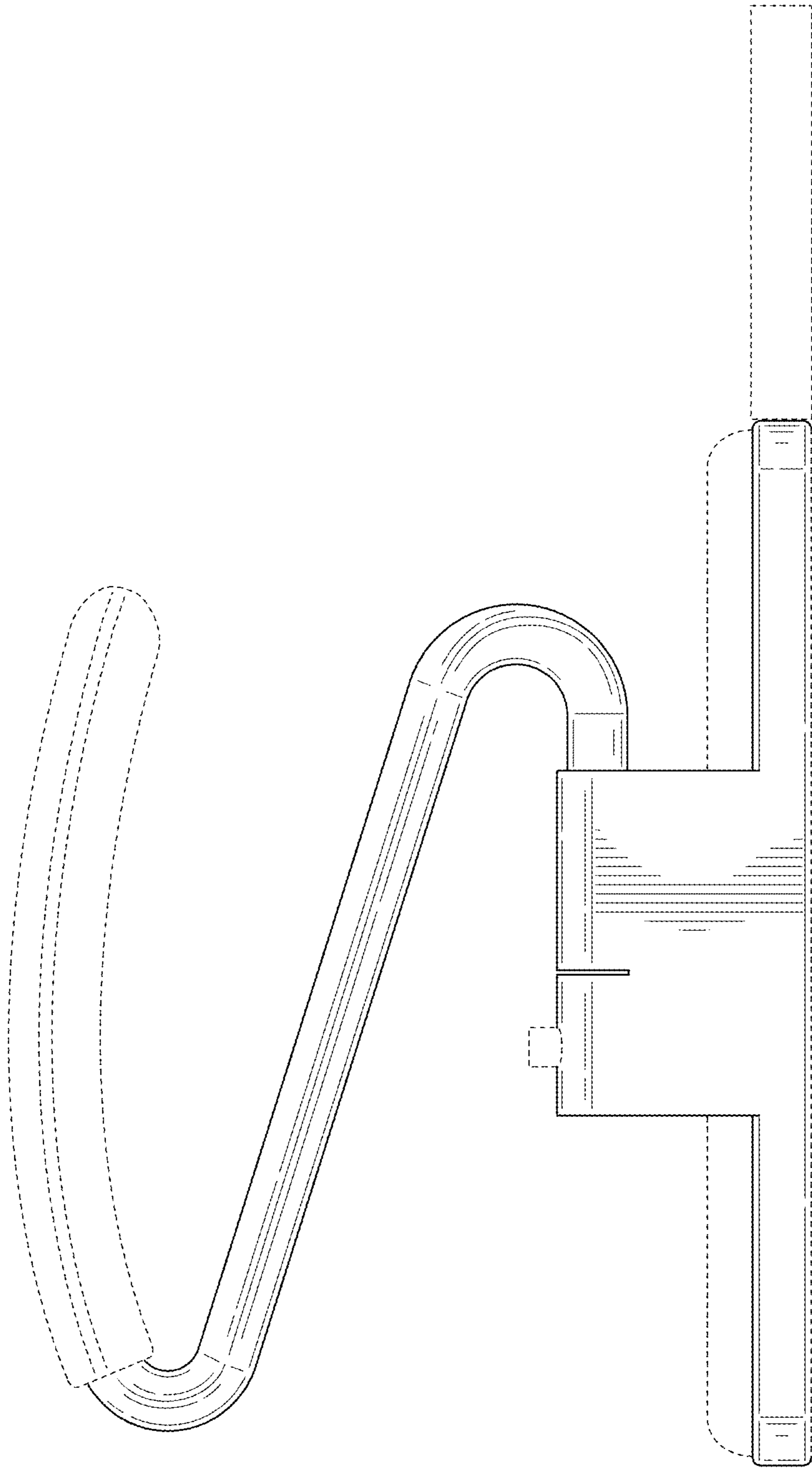


FIG. 4

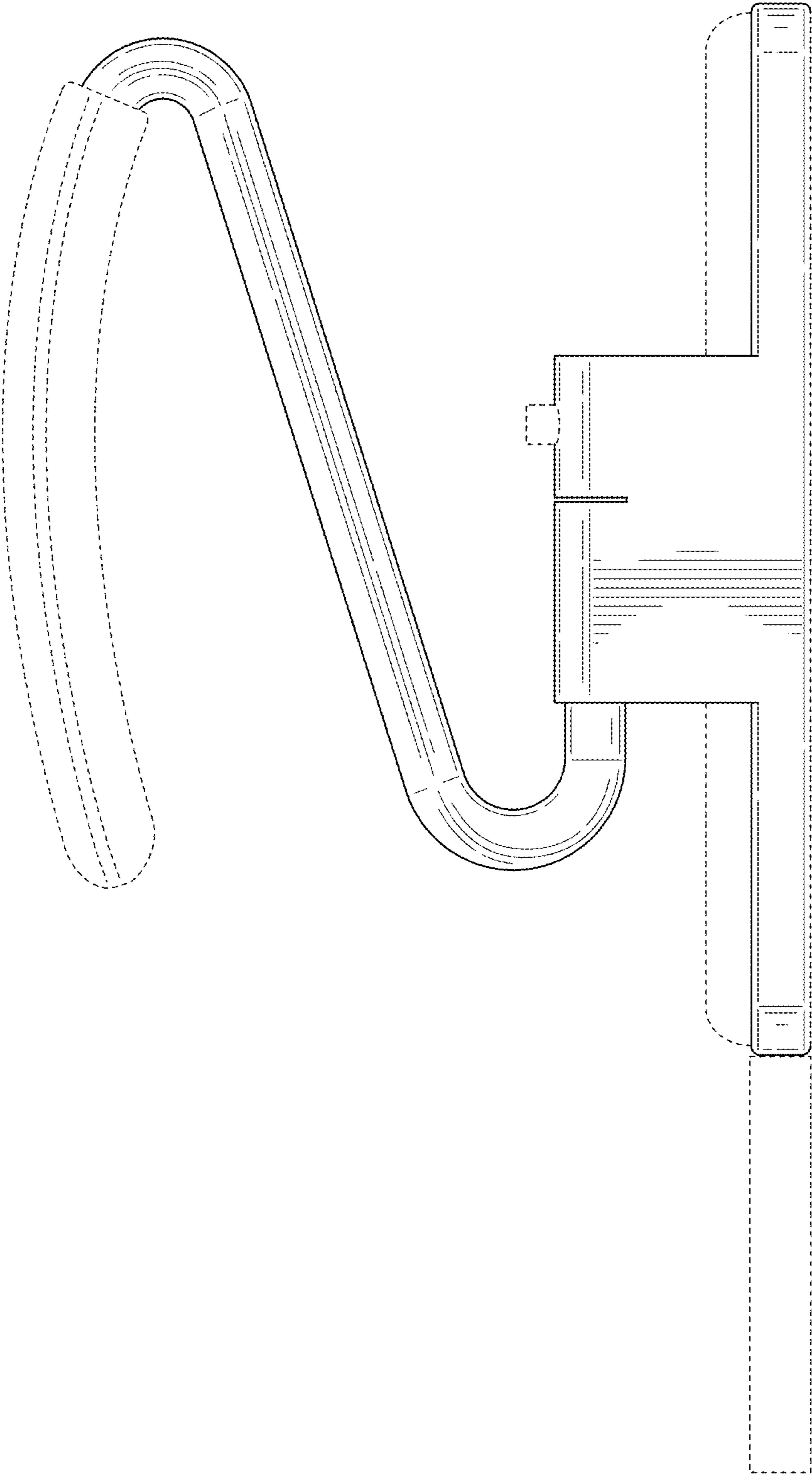


FIG. 5

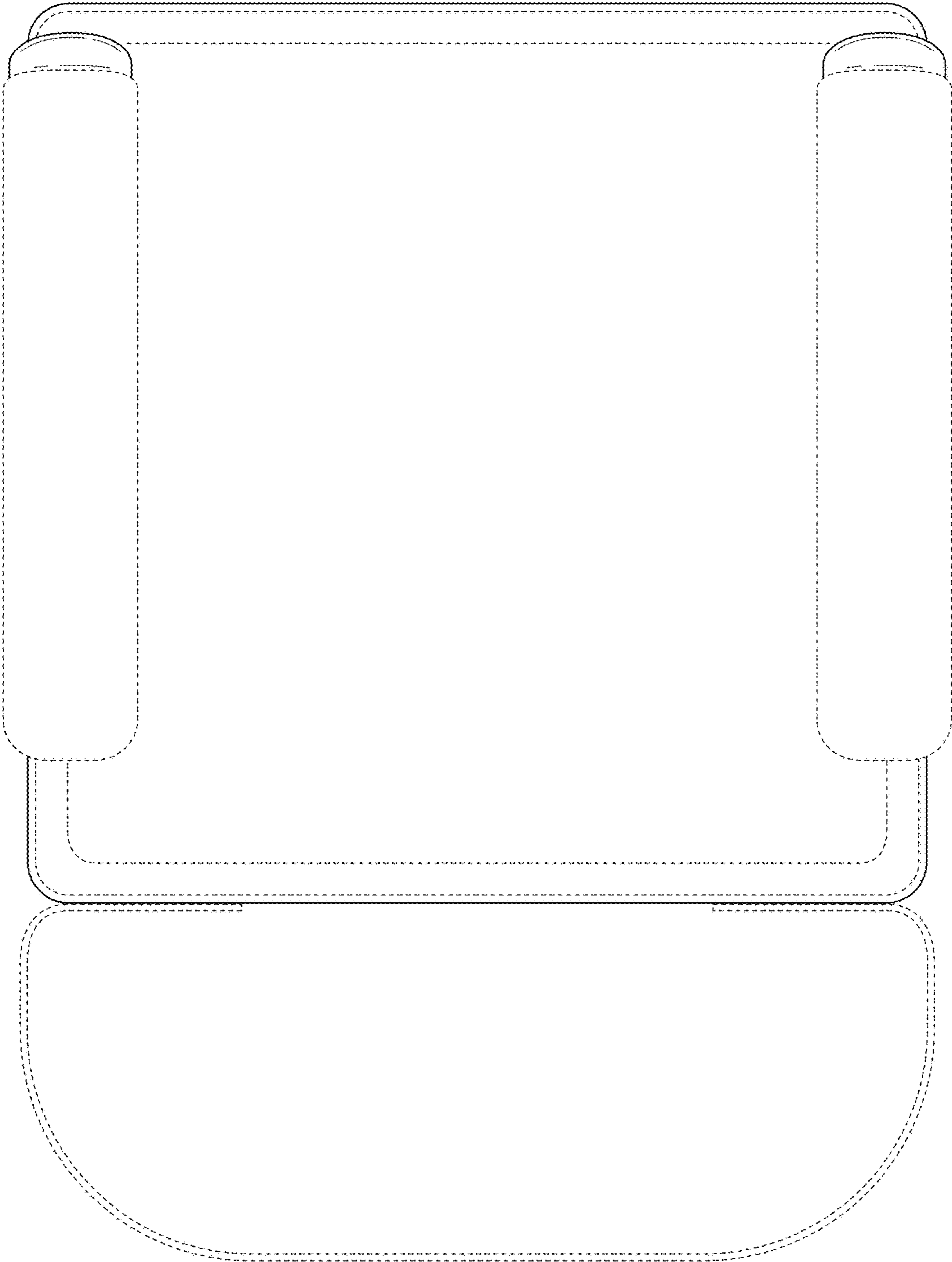


FIG. 6

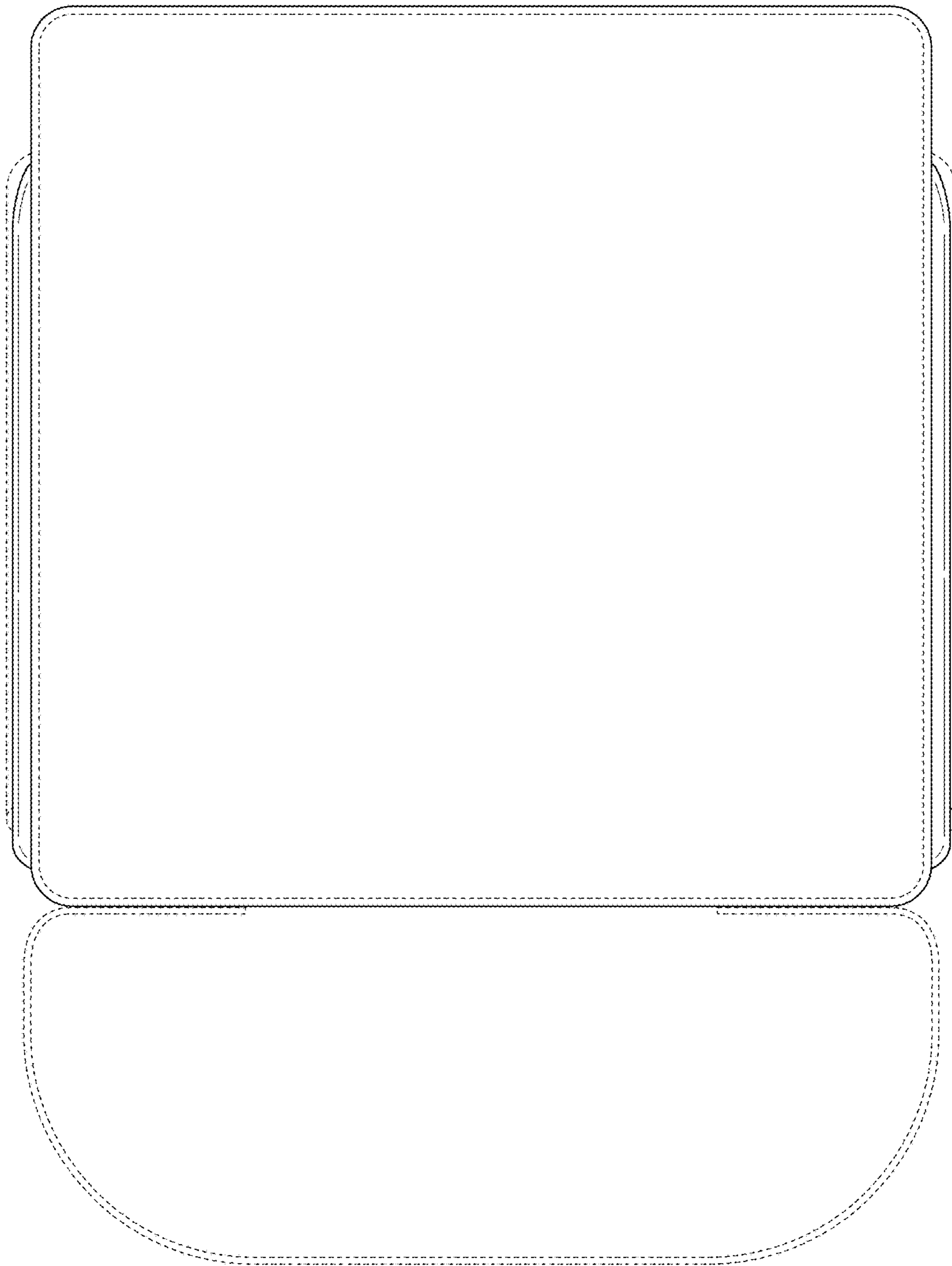


FIG. 7