



US00D801739S

(12) **United States Design Patent**
Husseini et al.

(10) **Patent No.:** **US D801,739 S**
(45) **Date of Patent:** **** Nov. 7, 2017**

(54) **ILLUMINATED SHELF DIVIDER**

(71) Applicant: **Medtronic Vascular, Inc.**, Santa Rosa, CA (US)

(72) Inventors: **Linda Husseini**, Santa Rosa, CA (US); **Devin Dutcher-Cowell**, Santa Rosa, CA (US); **Robert T. Fletcher**, San Francisco, CA (US); **Nicole Eden Sanom**, Needham, MA (US); **Julie D. Smith**, Mill Valley, CA (US); **Anthony C. Woodward**, San Francisco, CA (US)

(73) Assignee: **Medtronic Vascular, Inc.**, Santa Rosa, CA (US)

(**) Term: **14 Years**

(21) Appl. No.: **29/490,274**

(22) Filed: **May 8, 2014**

(51) **LOC (10) Cl.** **06-04**

(52) **U.S. Cl.**
USPC **D6/706**

(58) **Field of Classification Search**
USPC D6/705-706, 672-673, 675; D7/550.1, D7/553.1, 553.2; 211/59.2, 9.45;
(Continued)

(56) **References Cited**

U.S. PATENT DOCUMENTS

D285,152 S * 8/1986 Smith D19/34.1
5,440,458 A 8/1995 Volk
(Continued)

FOREIGN PATENT DOCUMENTS

JP 2008146894 6/2008
JP 2009066000 4/2009

OTHER PUBLICATIONS

Eterna , China Furniture Motion Sensor LED Illuminated Light up Shelf , Product sheet.

(Continued)

Primary Examiner — Rosemary K Tarcza
Assistant Examiner — James Thorn, Sr.

(57) **CLAIM**

The ornamental design for an illuminated shelf divider, as shown and described.

DESCRIPTION

FIG. 1 is a front perspective view of an embodiment of an illuminated shelf divider showing our new design, showing the illuminating portion illuminated.

FIG. 2 is a rear perspective view of the illuminated shelf divider of FIG. 1.

FIG. 3 is a left side view of the illuminated shelf divider of FIG. 1.

FIG. 4 is a front view of the illuminated shelf divider of FIG. 1.

FIG. 5 is a right side view of the illuminated shelf divider of FIG. 1.

FIG. 6 is a rear view of the illuminated shelf divider of FIG. 1.

FIG. 7 is a top view of the illuminated shelf divider of FIG. 1.

FIG. 8 is a bottom view of the illuminated shelf divider of FIG. 1.

FIG. 9 is a front perspective view of an embodiment the illuminated shelf divider of FIG. 1, with the illuminating portion not illuminated.

FIG. 10 is a rear perspective view of the illuminated shelf divider of FIG. 9.

FIG. 11 is a left side view of the illuminated shelf divider of FIG. 9.

FIG. 12 is a front view of the illuminated shelf divider of FIG. 9.

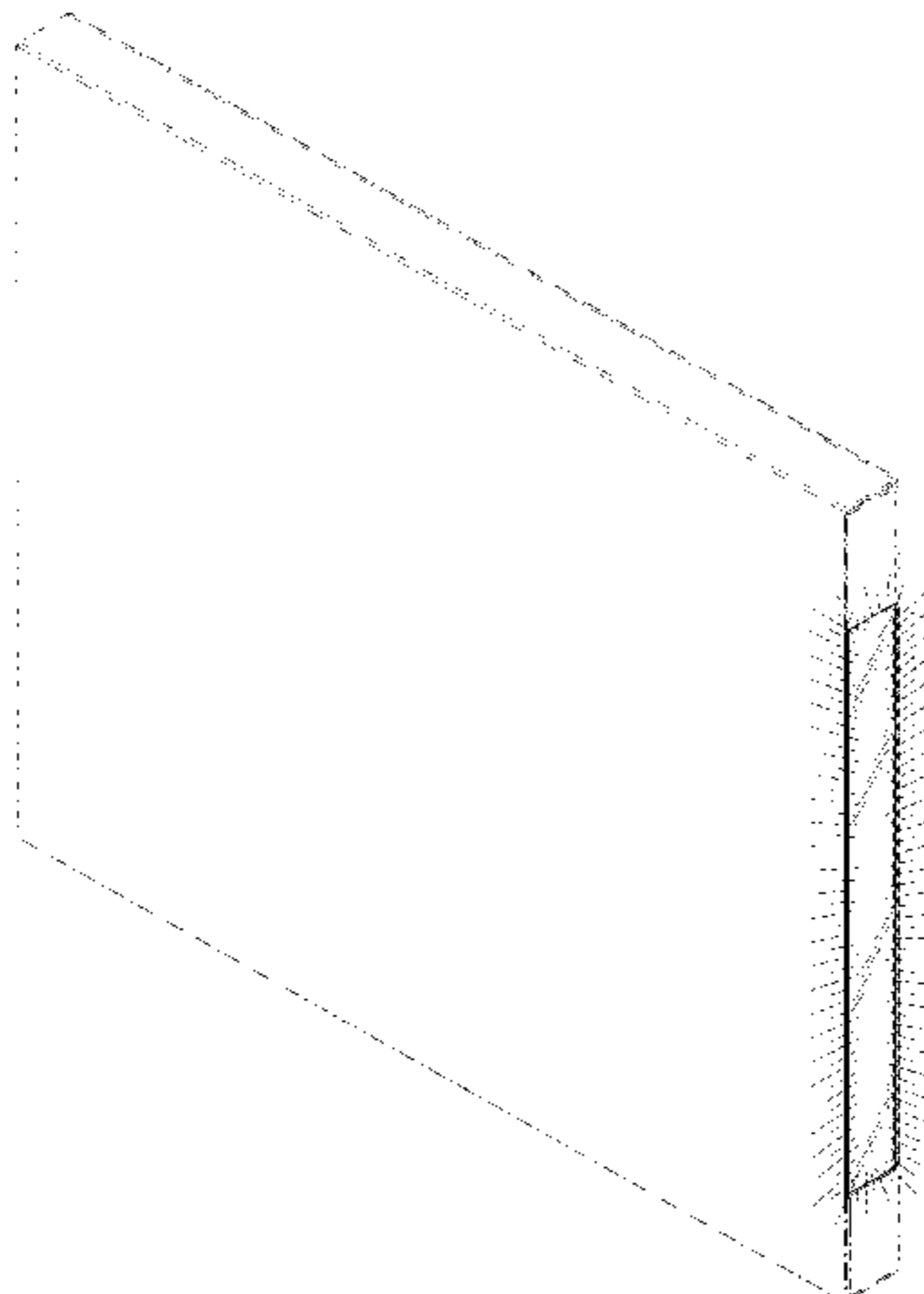
FIG. 13 is a right side view of the illuminated shelf divider of FIG. 9.

FIG. 14 is a rear view of the illuminated shelf divider of FIG. 9.

FIG. 15 is a top view of the illuminated shelf divider of FIG. 9; and,

FIG. 16 is a bottom view of the illuminated shelf divider of FIG. 9.

(Continued)



The shade lines in the Figures show contour and not surface ornamentation.

The radiating lines from the rectangular portion on the front side of the illuminated shelf divider in FIGS. 1-5 and 7-8 indicate illumination.

The broken lines in the Figures show environment only and form no part of the claimed design.

1 Claim, 10 Drawing Sheets

(58) **Field of Classification Search**

USPC 108/91; D19/34.1; D14/502, 496, 489,
D14/486, 485
CPC A47B 57/58; A47B 57/585; A47B 87/02;
A47F 5/005; A47F 5/0093; H05K 5/04
See application file for complete search history.

(56) **References Cited**

U.S. PATENT DOCUMENTS

6,020,823	A	2/2000	DeCicco	
D458,781	S *	6/2002	Cook	D6/706
D495,539	S *	9/2004	Sjoberg	D6/706
D507,915	S *	8/2005	Nagel	D6/706
D550,070	S *	9/2007	Lucht	D8/381
D574,360	S *	8/2008	Matsuoka	D14/168
D596,431	S *	7/2009	Berger	D6/706
D598,892	S *	8/2009	Wada	D14/188
D603,868	S *	11/2009	Cho	D14/502
D615,994	S *	5/2010	Chung	D14/502
D635,379	S *	4/2011	Klein	D6/706
D640,683	S *	6/2011	Kawano	D14/257
7,979,723	B2	7/2011	Dooley et al.	
D645,474	S *	9/2011	Cho	D14/502
D645,476	S *	9/2011	Kim	D14/502
D652,055	S *	1/2012	Chung	D14/500
D652,430	S *	1/2012	Chung	D14/500
D654,087	S *	2/2012	Chung	D14/500
D654,088	S *	2/2012	Chung	D14/500

D654,507	S *	2/2012	Yagi	D14/502
D654,932	S *	2/2012	Yagi	D14/502
D664,794	S *	8/2012	Leveto	D6/706
D684,195	S *	6/2013	Watanabe	D14/502
D685,215	S *	7/2013	Berger	D6/706
D692,849	S *	11/2013	Choi	D14/188
D702,259	S *	4/2014	Onoue	D14/496
D703,697	S *	4/2014	Onoue	D14/498
D704,739	S *	5/2014	Woo	D14/502
D705,267	S *	5/2014	Li	D14/502
D705,871	S *	5/2014	Jacobs	D14/496
D707,994	S *	7/2014	Le	D6/706
D713,662	S *	9/2014	Byrne	D6/706
D726,463	S *	4/2015	Andersson	D6/706
D739,374	S *	9/2015	Chong	D14/188
D743,928	S *	11/2015	Endo	D14/157
D745,796	S *	12/2015	Zeidner	D6/706
D746,090	S *	12/2015	Grabher	D6/705.5
D754,627	S *	4/2016	Fustino	D14/188
D760,215	S *	6/2016	Yagi	D14/257
2003/0233775	A1	12/2003	Klopfer	
2005/0150847	A1 *	7/2005	Hawkinson	A47F 5/005 211/59.2
2005/0204965	A1 *	9/2005	Fast	A47B 57/58 108/91
2007/0158281	A1 *	7/2007	Hardy	A47F 1/126 211/59.3
2013/0134842	A1 *	5/2013	Kassanoff	A47B 47/0091 312/7.2
2016/0029794	A1 *	2/2016	Obitts	A47F 5/005 403/376
2016/0134930	A1 *	5/2016	Swafford	H04N 21/43637 725/80

OTHER PUBLICATIONS

Tesen Electronics Co., Ltd, Motion Sensor Flashing Shelf Talker, Product sheet.
Stanley, Inner Space, Product Brochure.
Oechsle Display Systems, Product Brochure.
Mass Medical Storage, Product sheet.

* cited by examiner

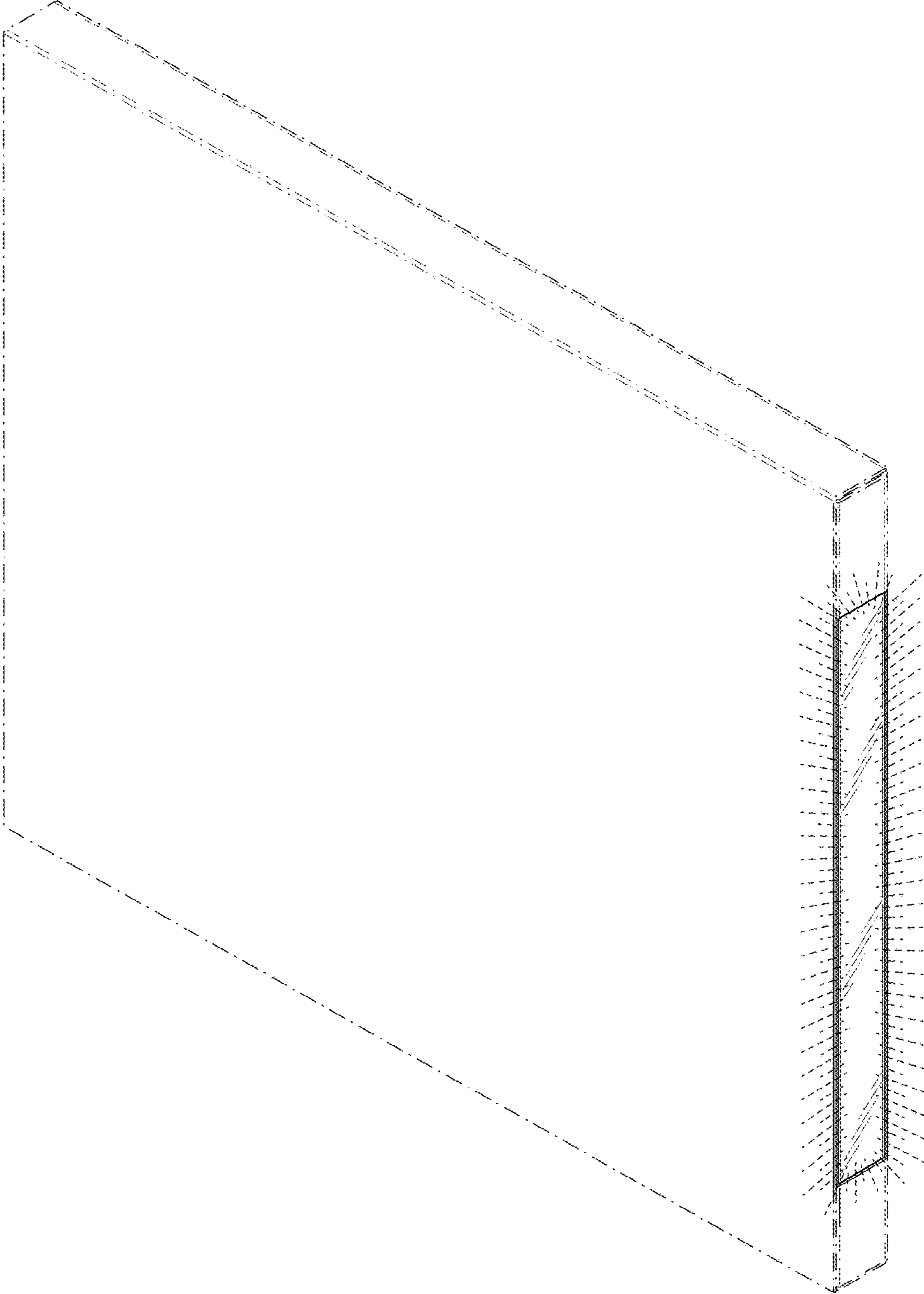


FIG. 1

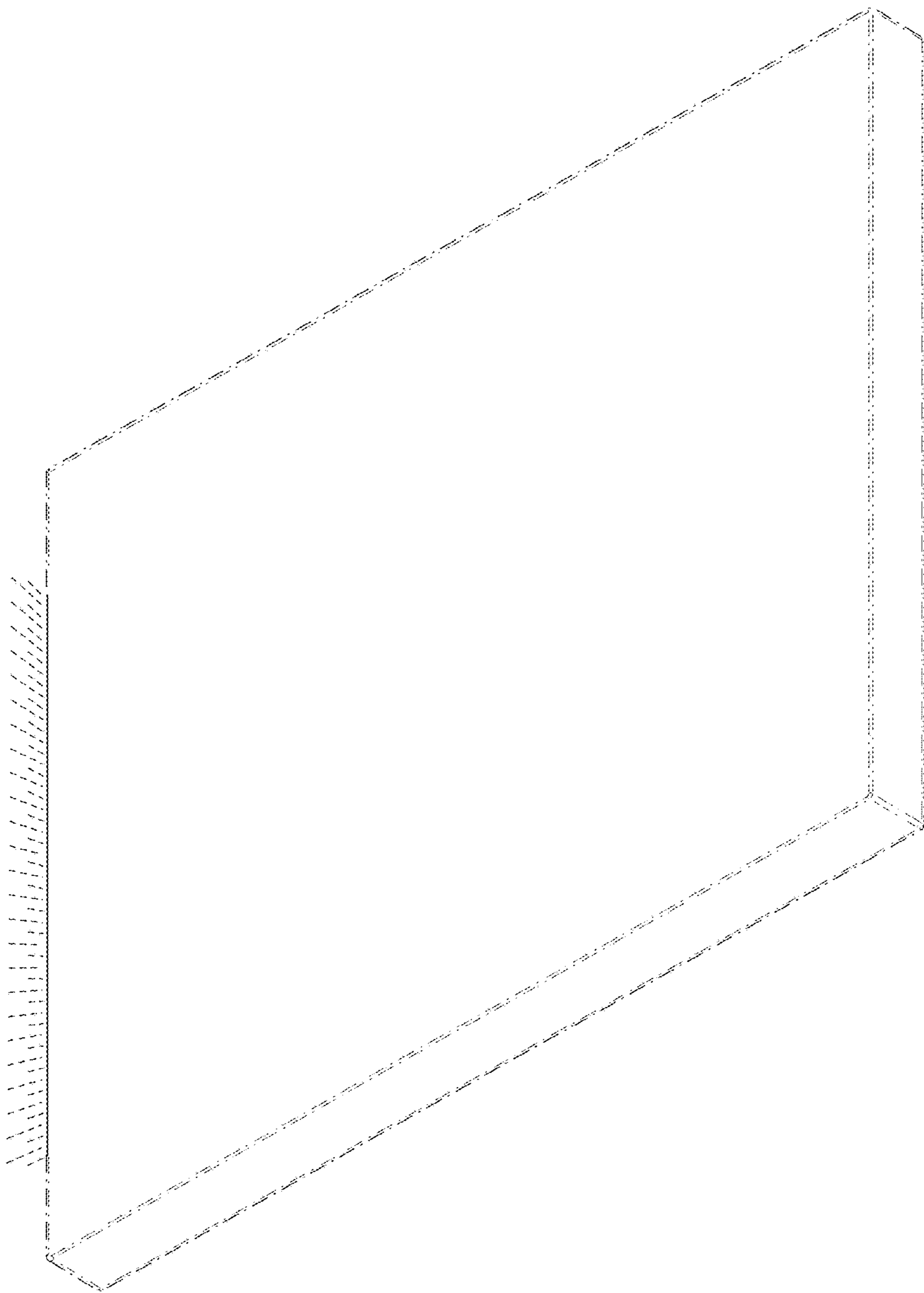


FIG. 2

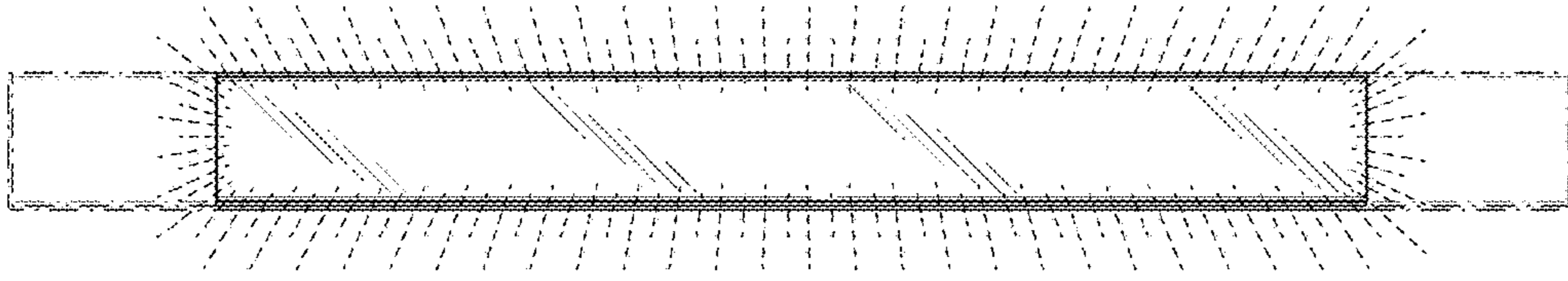


FIG. 4



FIG. 3



FIG. 6

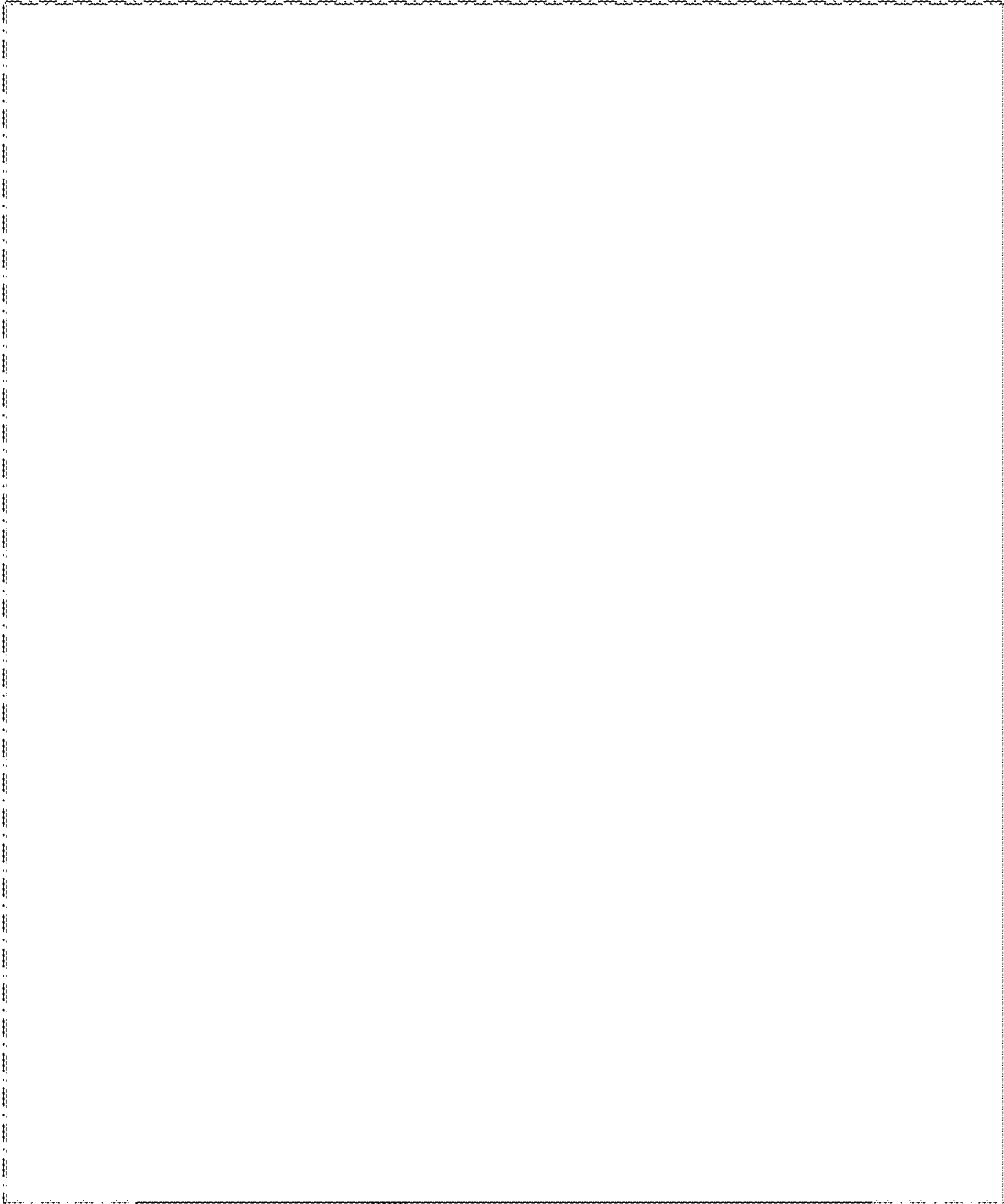


FIG. 5

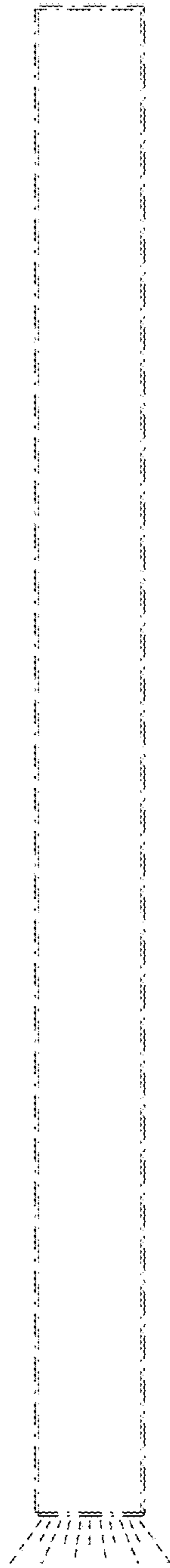


FIG. 7

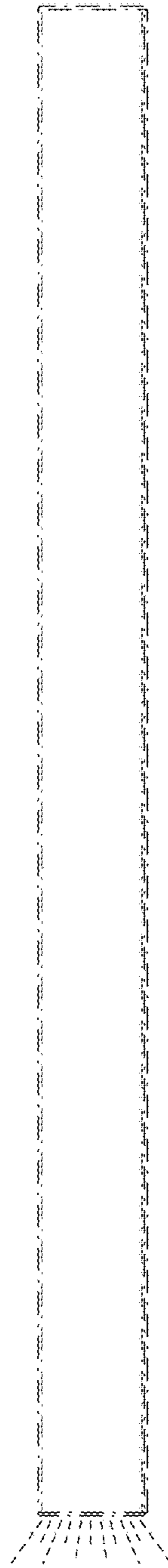


FIG. 8

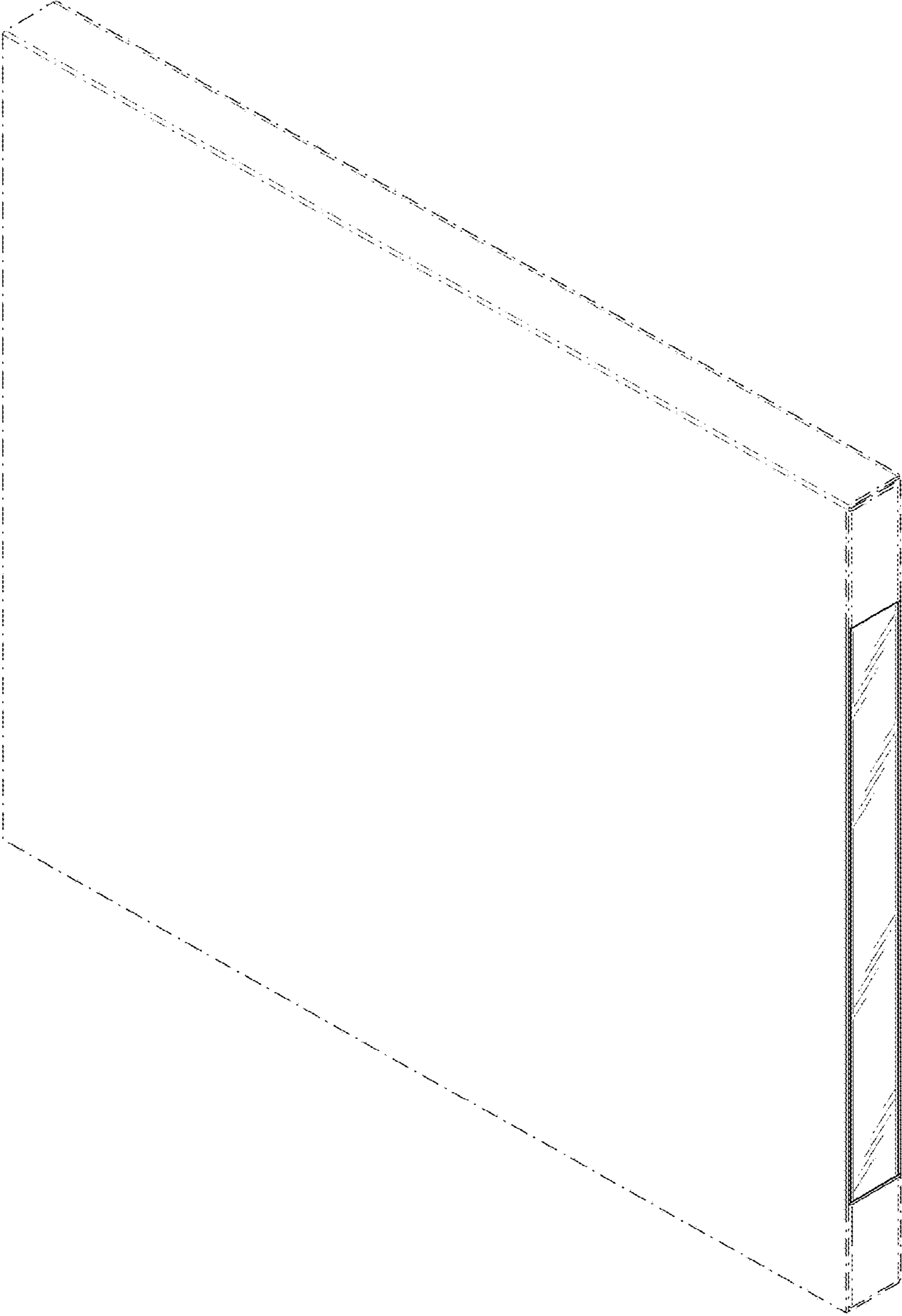


FIG. 9

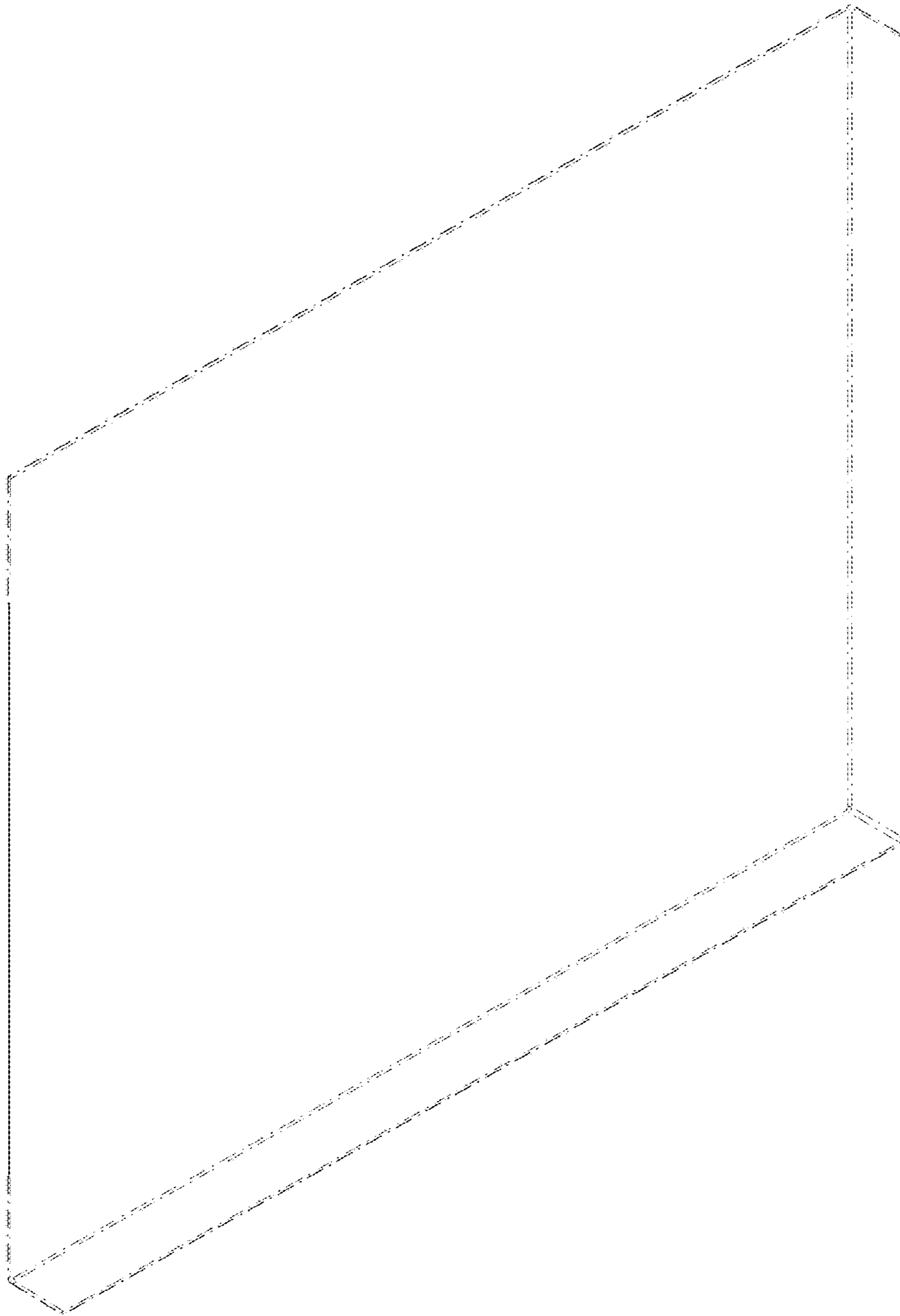


FIG. 10

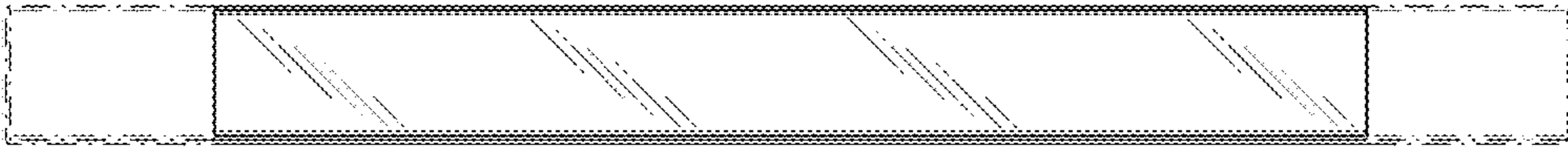


FIG. 12



FIG. 11



FIG. 14



FIG. 13



FIG. 15

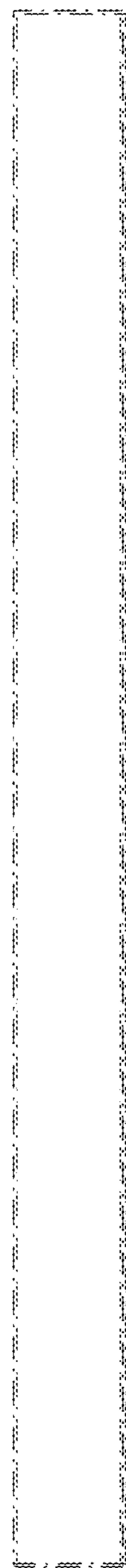


FIG. 16