



US00D801735S

(12) **United States Design Patent** (10) **Patent No.:** **US D801,735 S**  
**Ursell et al.** (45) **Date of Patent:** **\*\* Nov. 7, 2017**

- (54) **WORK AND STORAGE TABLE** 5,664,612 A \* 9/1997 Klemma ..... B23D 45/021  
144/134.1
- (71) Applicant: **Affinity Tool Works, LLC**, Troy, MI 5,722,472 A \* 3/1998 Wang ..... B23Q 37/002  
(US) 144/1.1
- (72) Inventors: **Mike Ursell**, Bloomfield Hills, MI 5,778,953 A \* 7/1998 Braddock ..... B23D 47/025  
(US); **Connor Ursell**, Bloomfield Hills, MI D417,980 S \* 12/1999 Fraquelli ..... D6/656.15  
(US); **Mark Cross**, Marysville, MI D566,419 S \* 4/2008 Naim ..... D6/684  
(US); **Sam Ursell**, Beverly Hills, MI 7,377,525 B1 \* 5/2008 Whitmore ..... B25H 1/04  
(US); **Ken Neilson**, Troy, MI (US) D577,507 S \* 9/2008 Collins ..... D6/684  
(Continued)

(73) Assignee: **Affinity Tool Works, LLC**, Troy, MI (US)

(\*\*) Term: **15 Years**

(21) Appl. No.: **29/553,762**

(22) Filed: **Feb. 4, 2016**

(51) **LOC (10) Cl.** ..... **06-03**

(52) **U.S. Cl.**  
USPC ..... **D6/684**

(58) **Field of Classification Search**  
USPC ..... D6/642, 656, 684, 653, 653.11, 662;  
108/12, 13; 144/286.1, 286.5, 287  
CPC ..... A47B 1/03; A47B 1/04; A47B 2003/085;  
A47B 3/083; A47B 37/00; B25H 1/02;  
B25H 1/04; B25H 1/08; B25H 1/12  
See application file for complete search history.

(56) **References Cited**

U.S. PATENT DOCUMENTS

- D182,926 S \* 5/1958 Roeder et al. .... 280/47.19
- 4,098,486 A \* 7/1978 Hornsby ..... A47K 3/001  
108/159
- 4,874,025 A \* 10/1989 Cleveland ..... B23D 47/025  
108/101
- 4,969,496 A \* 11/1990 Romans ..... B23D 47/025  
108/132
- 5,320,150 A \* 6/1994 Everts ..... B23D 47/025  
108/179

*Primary Examiner* — John Windmuller

*Assistant Examiner* — Steven Czyz

(74) *Attorney, Agent, or Firm* — William H. Honaker;  
Dickinson Wright PLLC

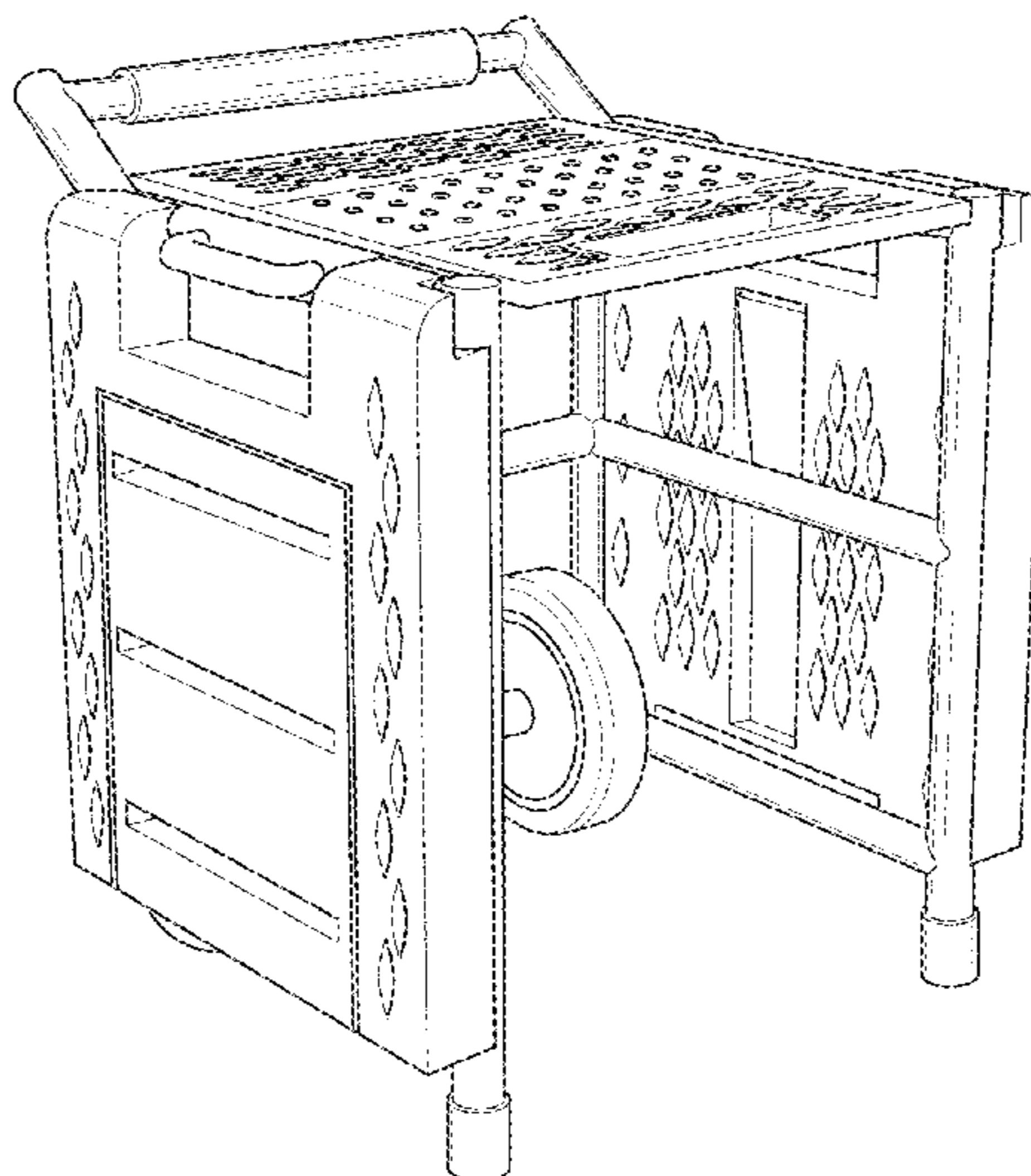
(57) **CLAIM**

The ornamental design for a work and storage table, as shown and described.

**DESCRIPTION**

FIG. 1 is a perspective view of the work and storage table of the present invention in the closed position.  
 FIG. 2 is a front view of the work and storage table of the present invention.  
 FIG. 3 is a back view of the work and storage table of the present invention.  
 FIG. 4 is a left side view of the work and storage table of the present invention.  
 FIG. 5 is a right side view of the work and storage table of the present invention.  
 FIG. 6 is a top view of the work and storage table of the present invention.  
 FIG. 7 is a bottom view of the work and storage table of the present invention; and,  
 FIG. 8 is a perspective view of the work and storage table of the present invention in the fully open position.  
 The broken lines depict portions of the article that form no part of the claimed design.

**1 Claim, 7 Drawing Sheets**



(56)

**References Cited**

U.S. PATENT DOCUMENTS

D579,231 S \* 10/2008 Cheng ..... D6/642  
7,464,956 B2 \* 12/2008 Chen ..... B25H 1/04  
280/30  
D598,671 S \* 8/2009 Gagnon, Jr. .... D6/642  
D696,052 S \* 12/2013 Del Cid ..... D6/682.2  
D751,845 S \* 3/2016 Mallinger ..... D6/684  
2004/0051223 A1 \* 3/2004 Fortin ..... B25H 1/04  
269/139  
2008/0314851 A1 \* 12/2008 Jacoby ..... A47B 23/001  
211/149  
2012/0152155 A1 \* 6/2012 Healy ..... B25H 1/04  
108/50.11  
2015/0048563 A1 \* 2/2015 Billings ..... B25H 1/06  
269/17  
2015/0201751 A1 \* 7/2015 Gu ..... A47B 85/06  
108/11

\* cited by examiner

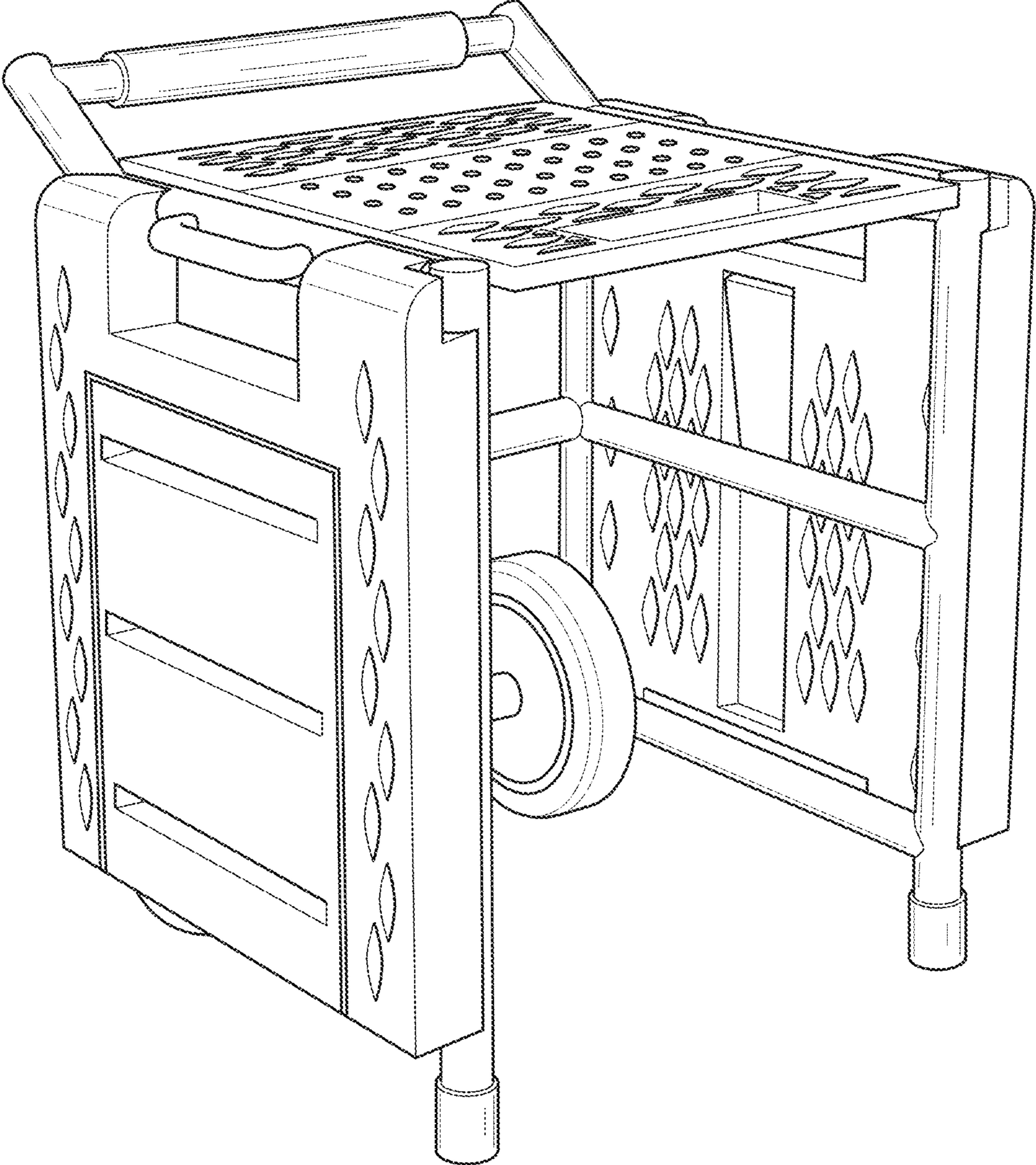


FIG. 1

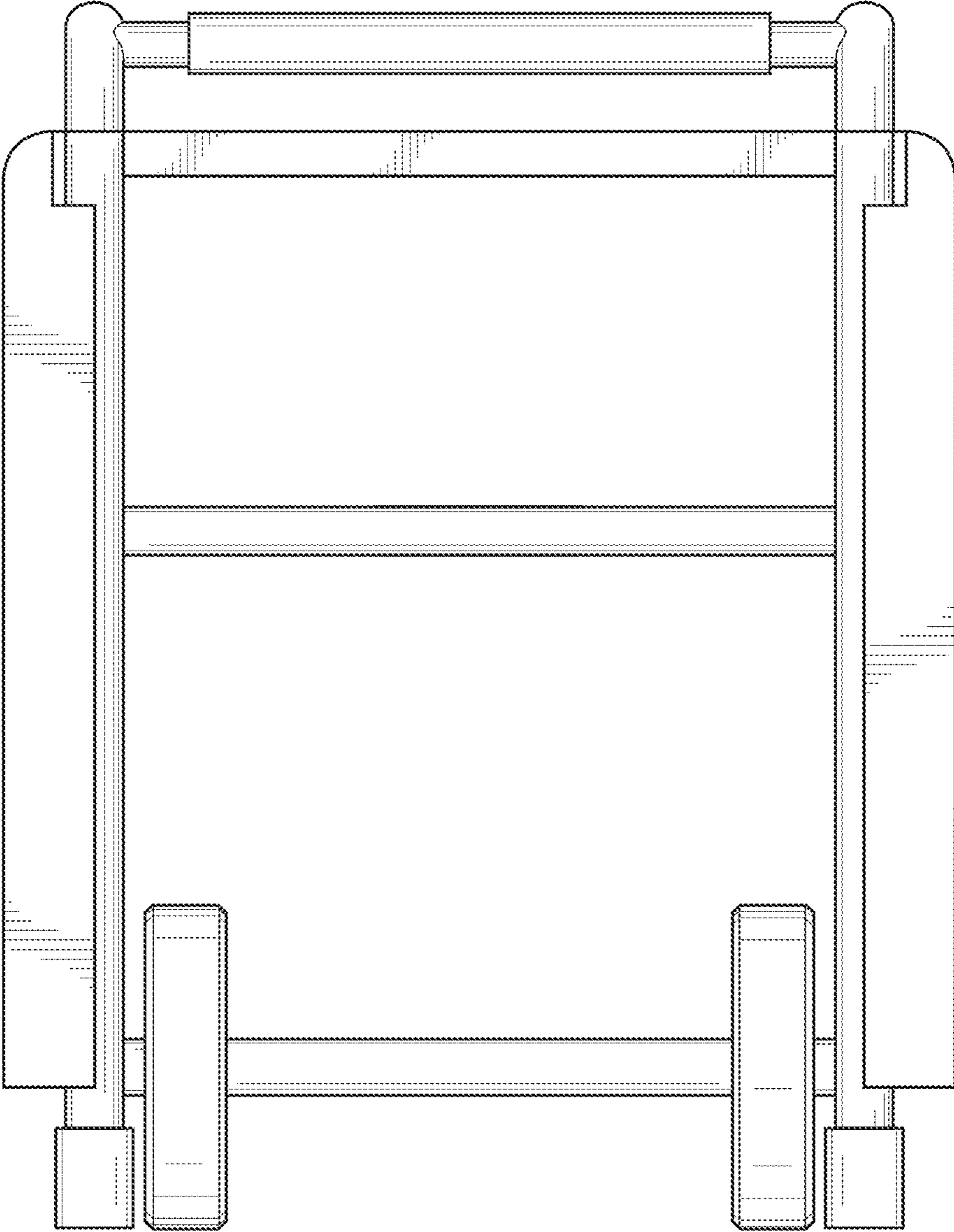


FIG. 2



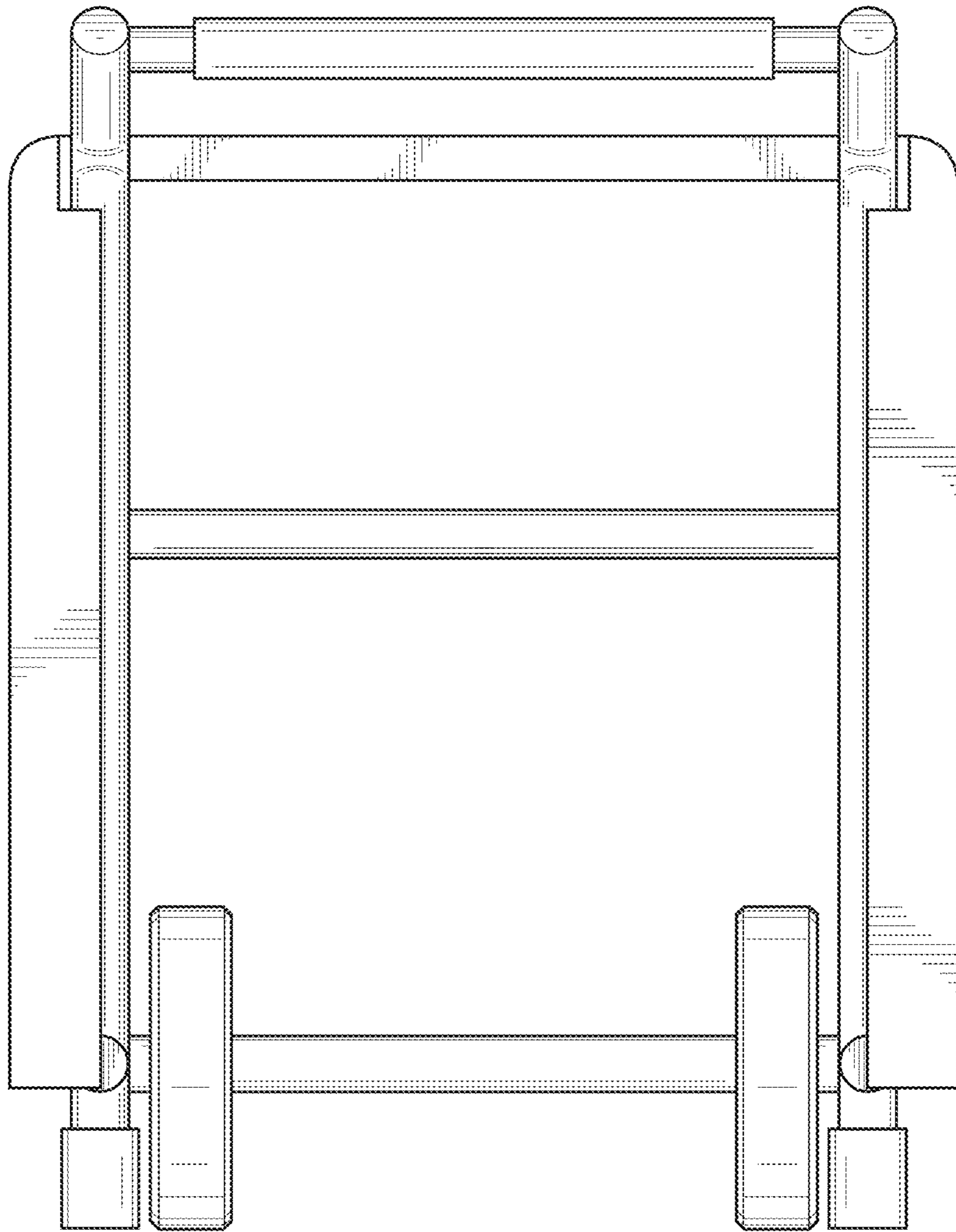


FIG. 3

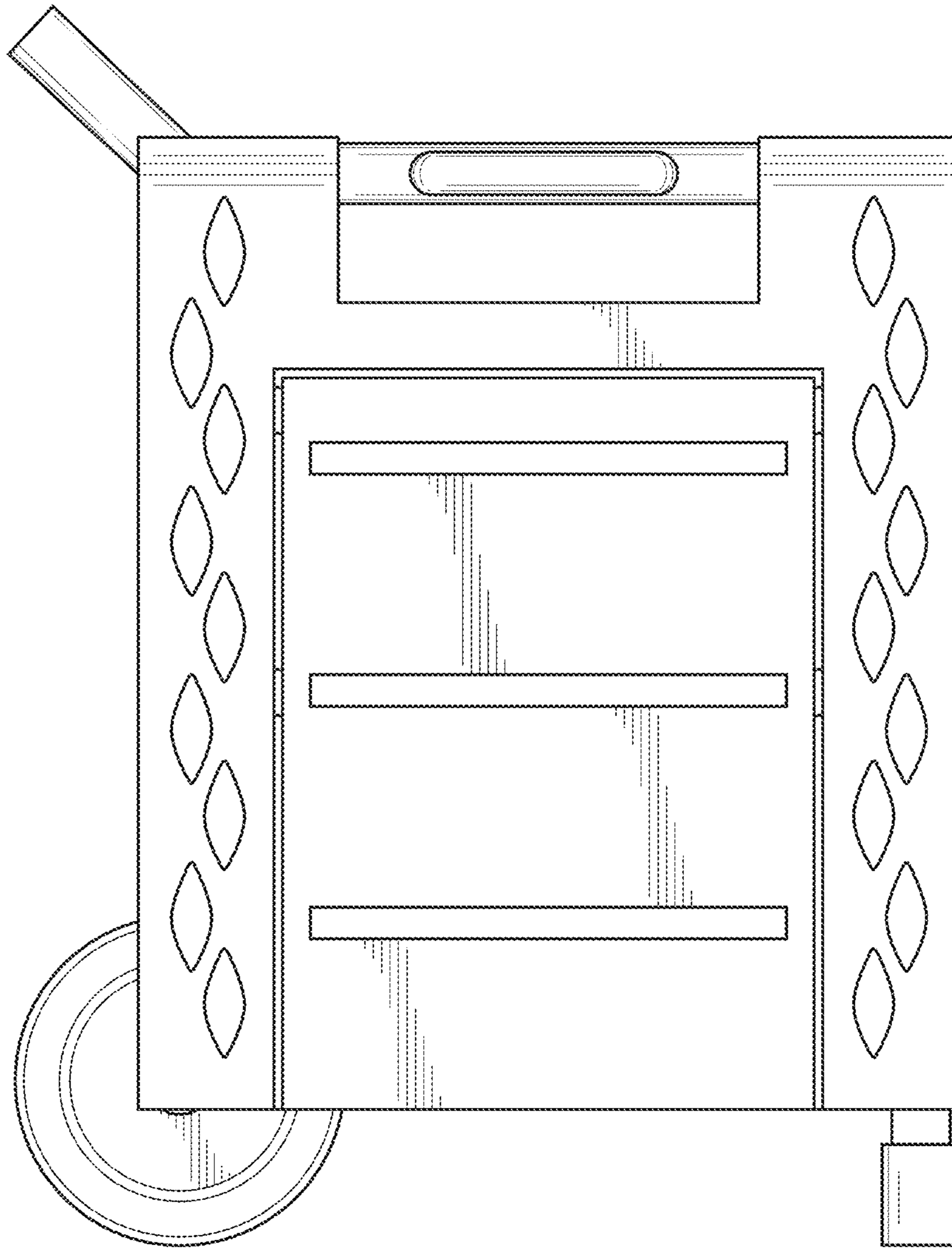


FIG. 4

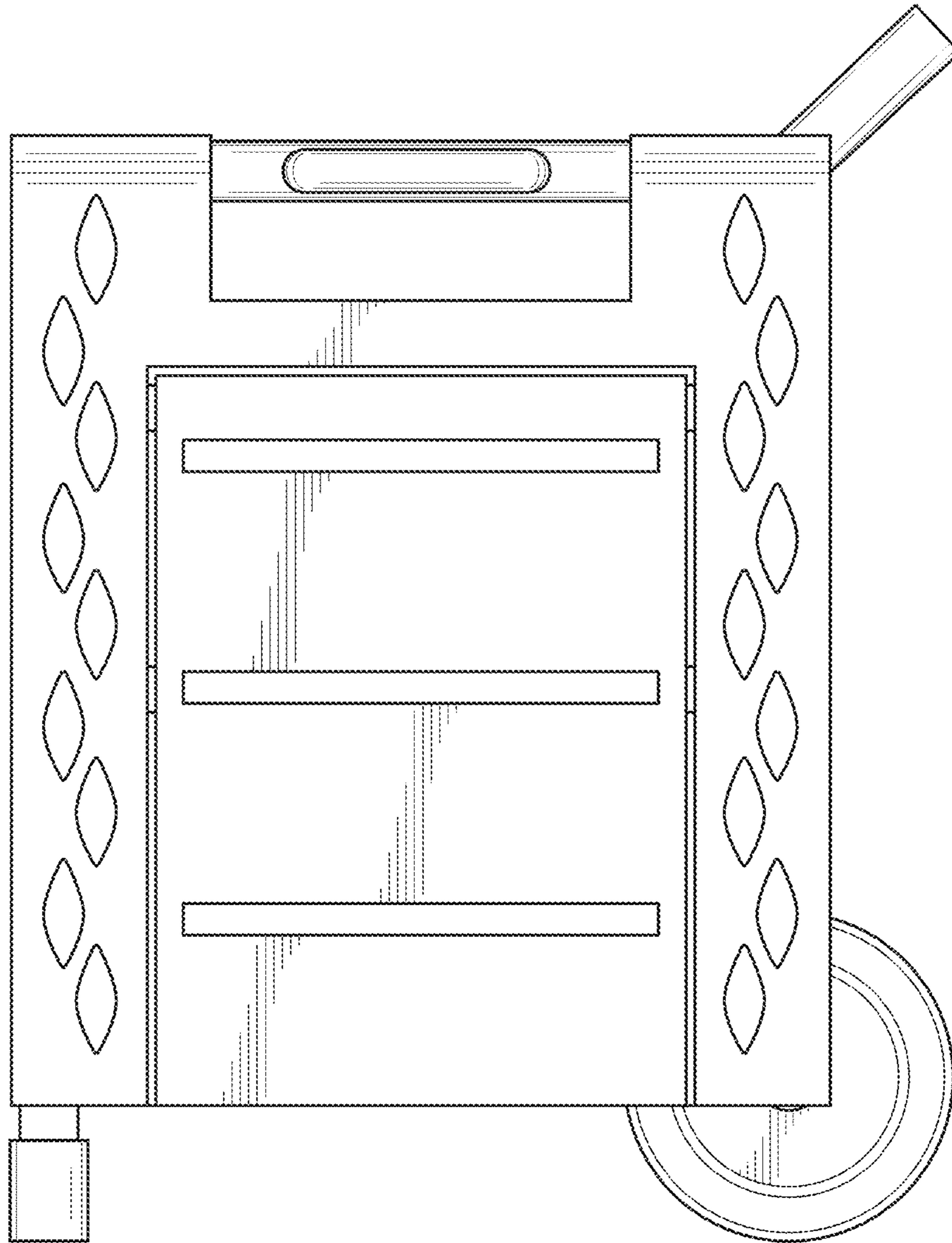


FIG. 5

FIG. 6

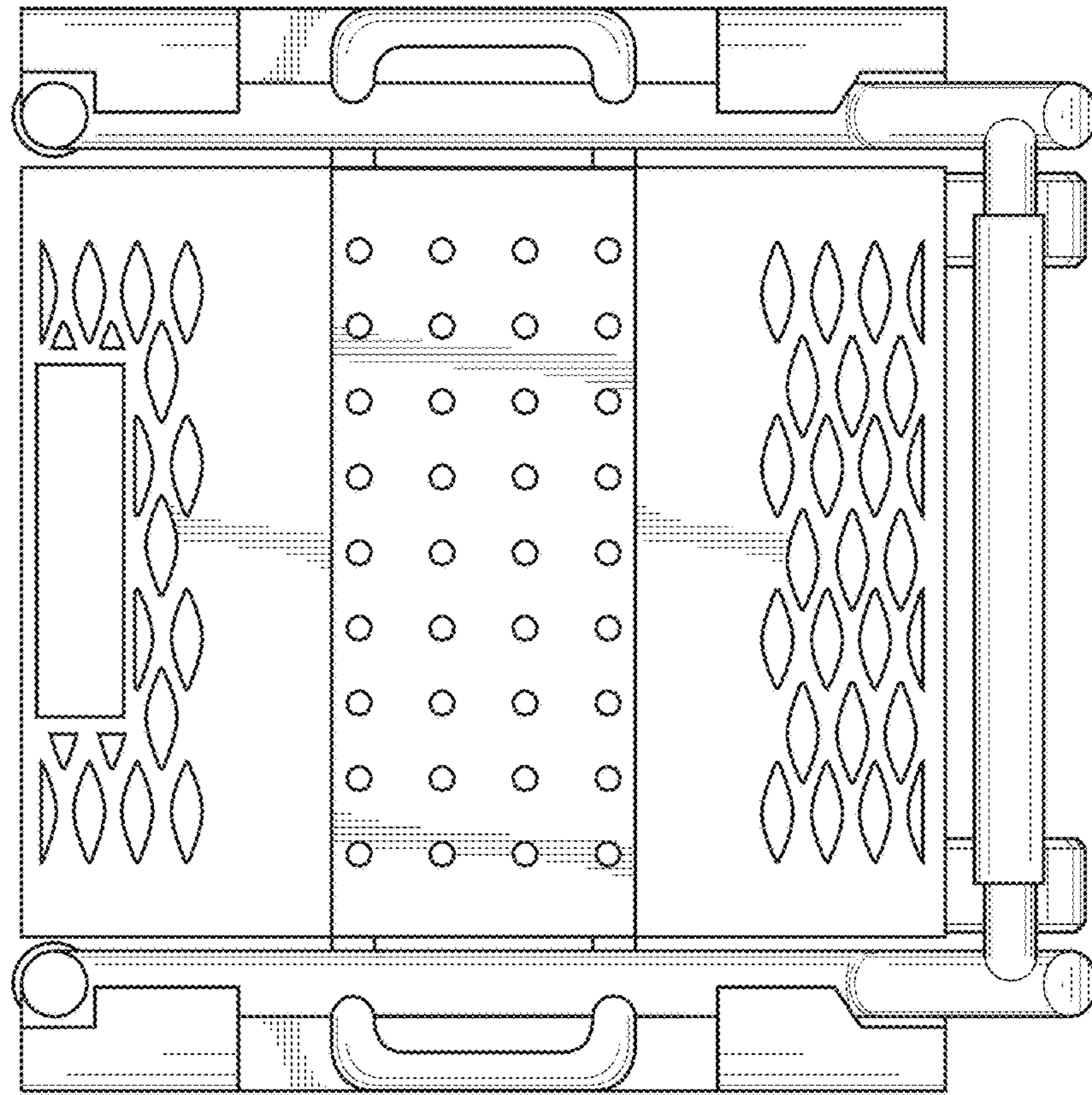
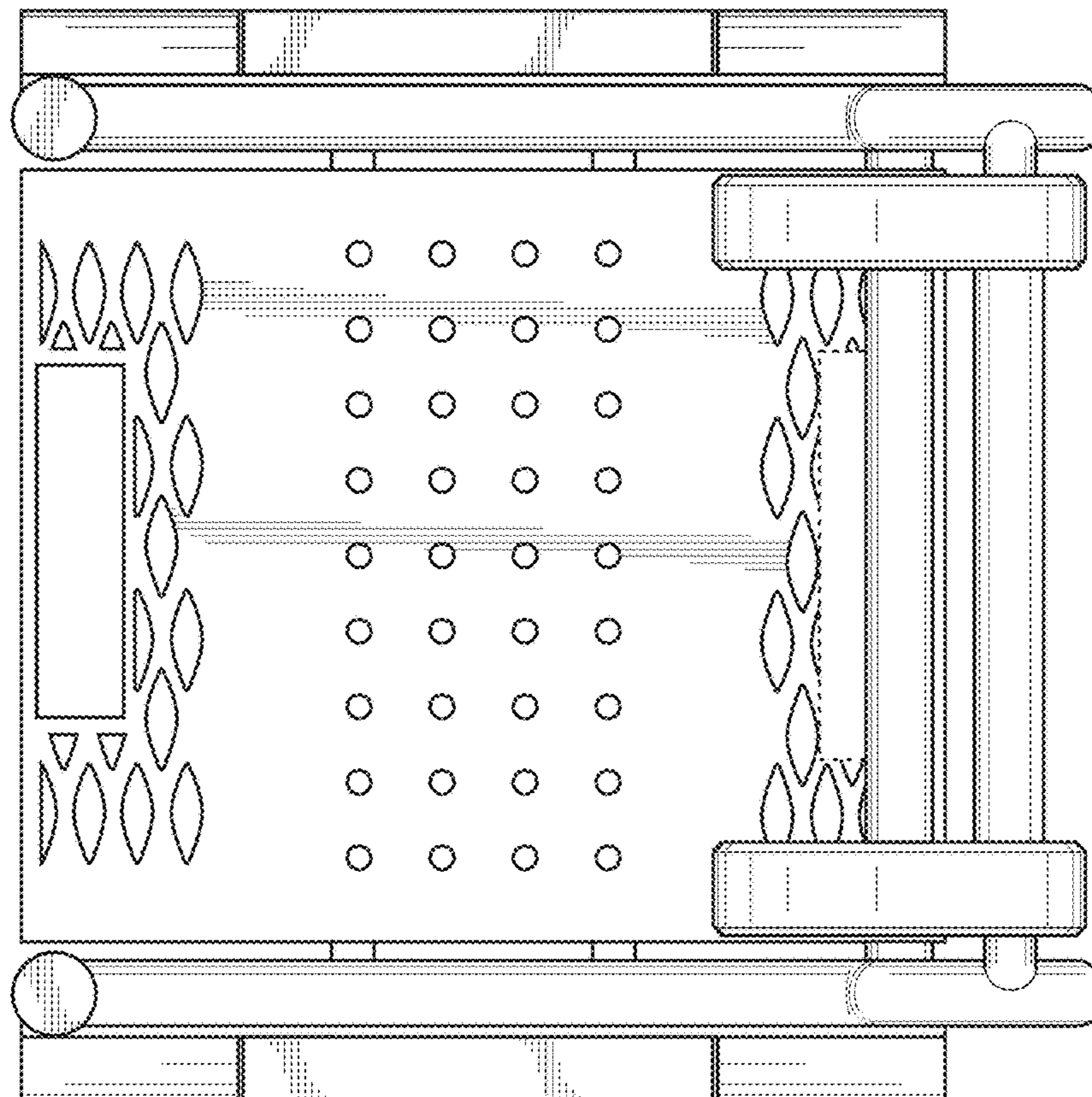


FIG. 7





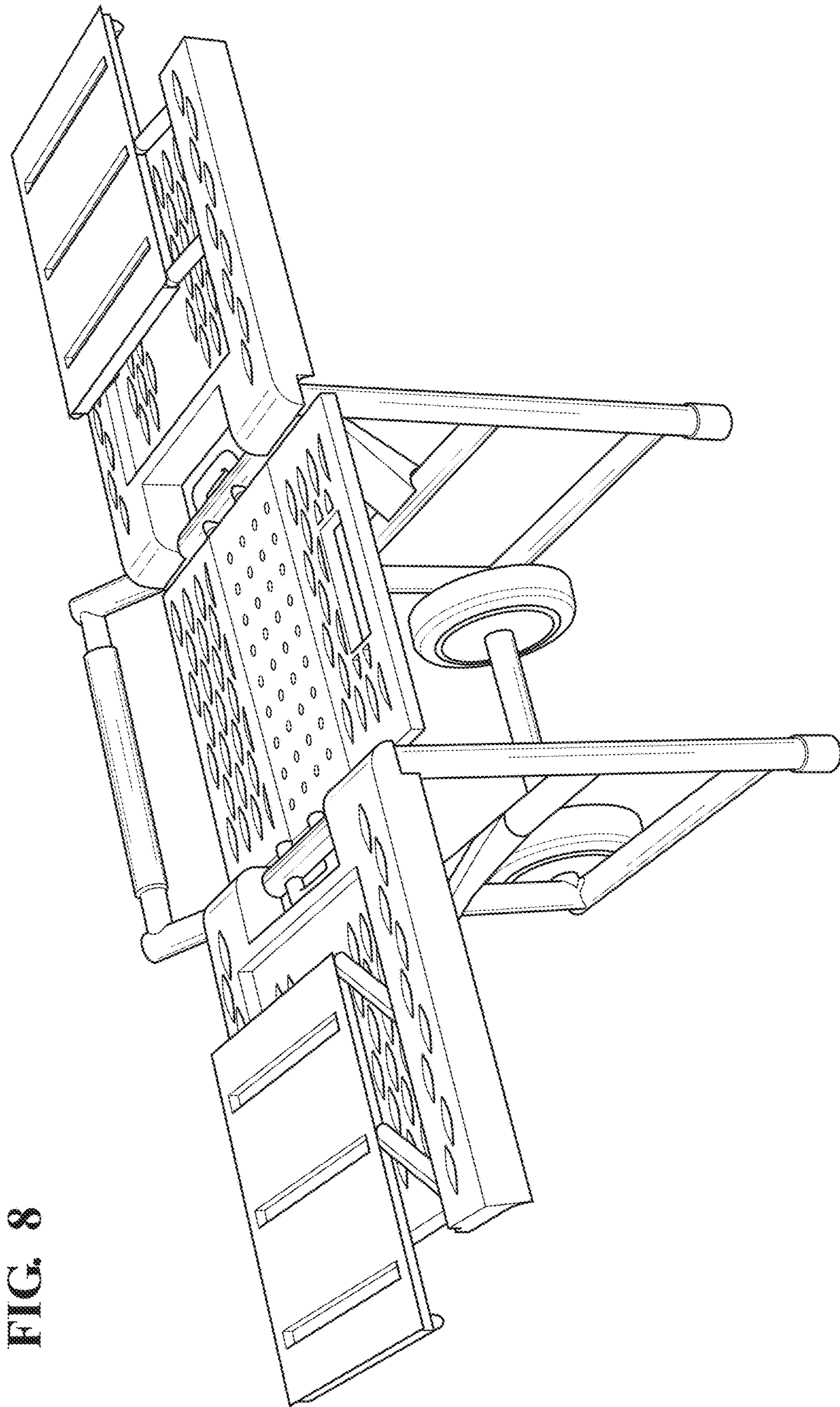


FIG. 8