



US00D801734S

(12) **United States Design Patent** (10) **Patent No.:** **US D801,734 S**
Turner et al. (45) **Date of Patent:** **** Nov. 7, 2017**

(54) **SHELF MANAGEMENT PARTS**
(71) Applicant: **DCI Marketing, Inc.**, Milwaukee, WI (US)
(72) Inventors: **Christopher J. Turner**, Pewaukee, WI (US); **Craig A. Fluegge**, Menomonee Falls, WI (US)
(73) Assignee: **RETAIL SPACE SOLUTIONS LLC**, Milwaukee, WI (US)

1,030,317 A 6/1912 Middaugh
1,271,508 A 7/1918 Hall
1,282,532 A 10/1918 Bochenek
1,674,582 A 6/1928 Wheeler
1,703,987 A 3/1929 Chancey
(Continued)

FOREIGN PATENT DOCUMENTS

BE 906083 A2 4/1987
BE 1013877 11/2002
(Continued)

(**) Term: **14 Years**

OTHER PUBLICATIONS

(21) Appl. No.: **29/510,619**
(22) Filed: **Dec. 1, 2014**
(51) **LOC (10) Cl.** **06-06**
(52) **U.S. Cl.**
USPC **D6/681.1**
(58) **Field of Classification Search**
USPC D8/380-381; D6/672, 675, 675.2, 678.1, D6/678.4, 680.2, 681, 681.1, 681.3, D6/682.5, 682.6
CPC A47G 25/746; A47G 25/0664; A47F 7/24; A47F 5/13; A47B 61/00; A47B 57/402
See application file for complete search history.

Bryson, et al., M. Scott, U.S. Appl. No. 60/588,665, "Merchandising System," Filed Jul. 16, 2004, 27 pp.
(Continued)

Primary Examiner — Kelley Donnelly
(74) *Attorney, Agent, or Firm* — Fitch, Even, Tabin & Flannery LLP

(57) **CLAIM**

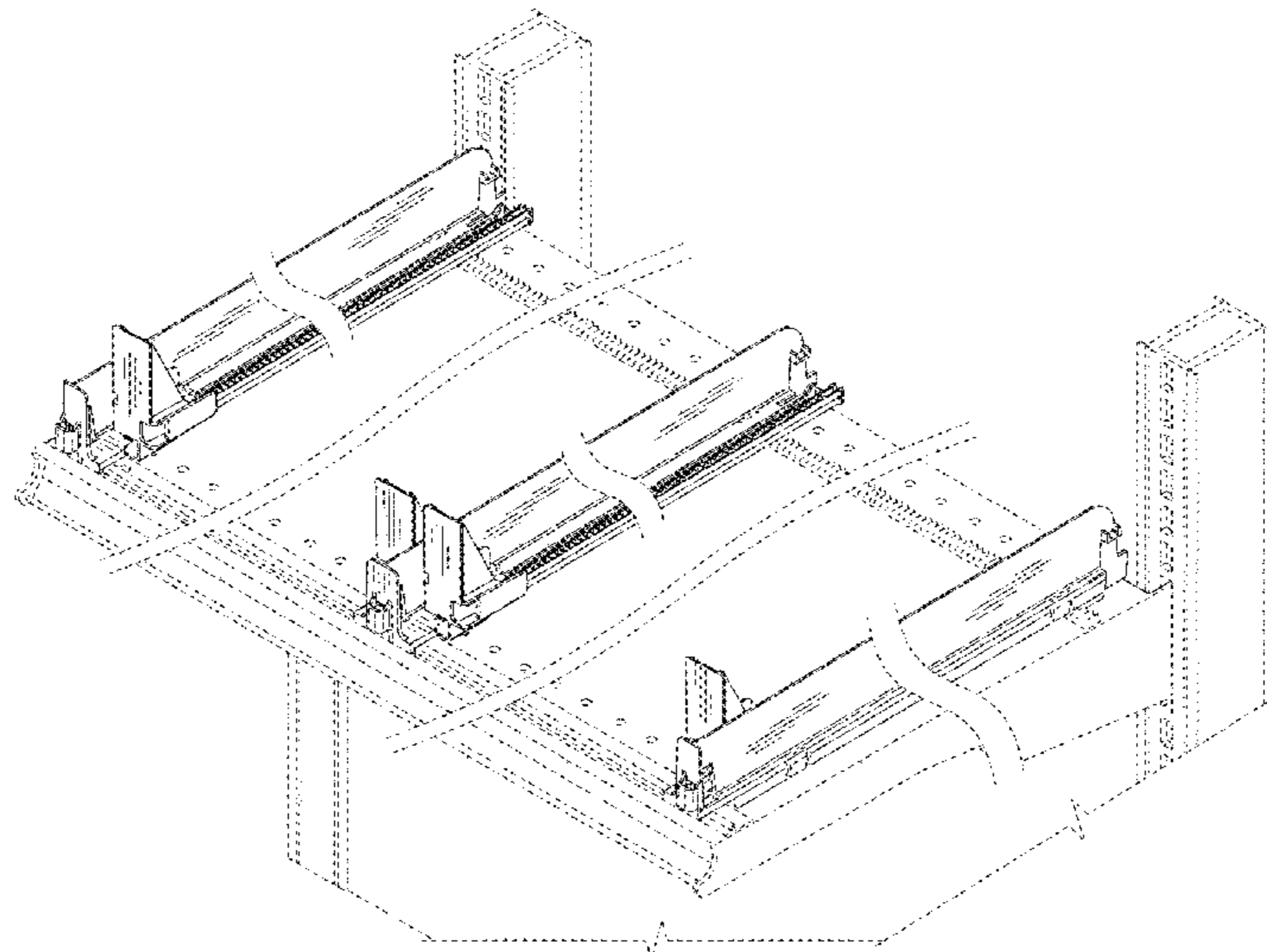
The ornamental design for shelf management parts, as shown and described.

DESCRIPTION

FIG. 1 is a perspective view of shelf management parts in accordance with an embodiment of our new design; FIG. 2 is a front elevation view thereof; FIG. 3 is a right side elevation view thereof; FIG. 4 is a rear elevation view thereof; FIG. 5 is a left side elevation view thereof; and, FIG. 6 is a top view thereof. The broken lines shown are for the purposes of illustrating the environment of the article only and form no part of the claimed design. The break lines shown in FIGS. 1, 2, 3, 4, 5, and 6 are not part of the claimed design and represent that no particular length is claimed.

(56) **References Cited**
U.S. PATENT DOCUMENTS
153,227 A 7/1874 Walkee
159,940 A 2/1875 Levebich
431,373 A 7/1890 Mendenhall
436,704 A 9/1890 Green
452,673 A 5/1891 Hunter
551,642 A 12/1895 Kleine
607,890 A 7/1898 Smith
607,891 A 7/1898 Smith
632,231 A 9/1899 Blades
808,067 A 12/1905 Briggs
847,863 A 3/1907 Watts
927,988 A 7/1909 Massey

1 Claim, 4 Drawing Sheets



(56)

References Cited

U.S. PATENT DOCUMENTS

1,786,392 A	12/1930	Kemp	4,448,653 A	5/1984	Wegmann
1,910,516 A	5/1933	Besenberg	4,453,641 A	6/1984	Rasmussen
1,964,597 A	6/1934	Rapellin	4,454,948 A	6/1984	Spamer
1,971,749 A	8/1934	Hamilton	4,454,949 A	6/1984	Flum
2,013,284 A	9/1935	Michaud	4,460,096 A	7/1984	Ricci
2,076,941 A	4/1937	Farr	4,462,854 A	7/1984	Wenstrom
2,079,754 A	5/1937	Waxgiser	D275,058 S	8/1984	Flum
2,110,299 A	3/1938	Cecil	4,463,854 A	8/1984	MacKenzie
2,129,122 A	9/1938	Follett	4,470,943 A	9/1984	Preis
2,218,444 A	10/1940	Vineyard	4,478,337 A	10/1984	Flum
2,284,849 A	6/1942	Schreyer	4,482,066 A	11/1984	Dykstra
2,308,851 A	1/1943	Anderson	4,488,653 A	12/1984	Belokin
2,499,088 A	2/1950	Brill	4,525,882 A	7/1985	Stenberg
2,516,122 A	7/1950	Hughes	4,531,311 A	7/1985	Howard
2,538,908 A	1/1951	McKeehan	4,590,696 A	5/1986	Squitieri
2,555,102 A	5/1951	Anderson	4,593,823 A	6/1986	Fershko
2,652,154 A	9/1953	Stevens	4,610,413 A	9/1986	Pedersen
2,678,045 A	5/1954	Erhard	4,615,276 A	10/1986	Garabedian
2,730,825 A	1/1956	Wilds	4,629,072 A	12/1986	Loew
2,738,881 A	3/1956	Gino	4,651,883 A	3/1987	Gullett
2,750,049 A	6/1956	Hunter	4,685,574 A	8/1987	Young
2,775,365 A	12/1956	Mestman	4,688,341 A	8/1987	Castel
2,889,907 A	6/1959	Sullivan	4,706,821 A	11/1987	Kohls
2,893,596 A	7/1959	Gabrielsen	4,712,694 A	12/1987	Breslow
2,934,212 A	4/1960	Jacobson	4,724,968 A	2/1988	Wombacher
3,083,067 A	3/1963	Holtz	4,730,741 A	3/1988	Jackle
3,089,675 A	5/1963	Lozier	4,735,324 A	4/1988	Wilcek
3,110,402 A	11/1963	Mogulescu	4,742,936 A	5/1988	Rein
3,121,494 A	2/1964	Berk	4,762,235 A	8/1988	Howard
3,161,295 A	12/1964	Taylor	4,762,236 A	8/1988	Jackle
3,166,195 A	1/1965	Taber	4,765,493 A	8/1988	Kinney
3,182,945 A	5/1965	Sedo	4,771,898 A	9/1988	Howard
3,248,079 A	4/1966	Kennedy	4,775,058 A	10/1988	Yatsko
3,308,961 A	3/1967	Chesley	4,801,025 A	1/1989	Flum
3,339,746 A	9/1967	Mccabe	4,809,855 A	3/1989	Bustos
3,355,134 A *	11/1967	Chesley A47B 96/025 108/108	4,826,115 A	5/1989	Novitski
3,405,716 A	10/1968	Cafiero	4,830,201 A	5/1989	Breslow
3,452,899 A	7/1969	Libberton	4,836,390 A	6/1989	Polvere
3,501,016 A	3/1970	Eaton	4,887,737 A	12/1989	Adenau
3,501,019 A	3/1970	Armstrong	4,896,779 A	1/1990	Jureckson
D219,058 S	10/1970	Kaczur	4,899,893 A	2/1990	Robertson
3,550,979 A	12/1970	Protzman	4,901,869 A	2/1990	Hawkinson
3,587,867 A	6/1971	Fenwick	4,907,707 A	3/1990	Crum
3,751,129 A	8/1973	Dean	4,923,070 A	5/1990	Jackle
3,776,388 A	12/1973	Mattheis	4,934,645 A	6/1990	Breslow
3,780,876 A	12/1973	Elkins	4,944,924 A	7/1990	Mawhirt
3,814,490 A	6/1974	Dean	4,958,739 A	9/1990	Spamer
3,815,519 A	6/1974	Meyer	RE33,515 E	1/1991	Fershko
3,832,957 A	9/1974	Mendenhall	4,997,094 A	3/1991	Spamer
3,848,745 A	11/1974	Smith	5,004,201 A *	4/1991	Bessinger A47B 96/061 108/108
3,868,021 A	2/1975	Heinrich	5,012,936 A	5/1991	Crum
3,893,739 A	7/1975	Bernard	5,024,336 A	6/1991	Spamer
3,949,880 A	4/1976	Fortunato	5,069,408 A	12/1991	Bessinger
3,960,273 A	6/1976	Weston	D323,452 S *	1/1992	Stumpf D8/381
3,987,384 A	10/1976	Bohlke	5,088,607 A	2/1992	Risafi
4,007,841 A	2/1977	Seipel	5,111,942 A	5/1992	Bernardin
4,015,886 A	4/1977	Wickenberg	5,123,546 A	6/1992	Crum
4,042,096 A	8/1977	Smith	5,150,885 A	9/1992	Leone
4,084,703 A	4/1978	Hossalla	5,159,753 A	11/1992	Torrence
4,106,668 A	8/1978	Gebhardt	5,161,704 A	11/1992	Valiulis
4,168,780 A	9/1979	Parrott	5,185,948 A	2/1993	Markson
4,200,201 A	4/1980	Collins	5,190,186 A	3/1993	Yablans
4,205,763 A	6/1980	Merl	5,197,215 A	3/1993	Torsleff
4,239,100 A	12/1980	Corey	5,197,610 A	3/1993	Bustos
4,269,326 A	5/1981	Delbrouck	5,203,463 A	4/1993	Gold
4,300,693 A	11/1981	Spamer	D341,819 S *	11/1993	Carlstrom D8/363
4,303,162 A	12/1981	Suttles	5,263,269 A	11/1993	Tjarnlund
4,351,439 A	9/1982	Taylor	5,265,738 A	11/1993	Yablans
4,357,439 A	11/1982	Blumel	5,265,740 A	11/1993	Hodsden
4,372,451 A	2/1983	Rasmussen	5,295,596 A	3/1994	Squitieri
4,394,910 A	7/1983	Miller	5,322,668 A	6/1994	Tomasso
4,397,606 A	8/1983	Bruton	5,366,099 A	11/1994	Schmid
4,405,052 A	9/1983	Spiros	5,390,802 A	2/1995	Pappagallo
4,416,380 A	11/1983	Flum	5,397,006 A	3/1995	Terrell
			5,397,016 A	3/1995	Torrence
			5,405,193 A	4/1995	Herrenbruck
			5,413,229 A	5/1995	Zuberbuhler
			5,427,255 A	6/1995	Nook

(56)

References Cited

U.S. PATENT DOCUMENTS

5,439,122 A	8/1995	Ramsay	6,389,991 B1	5/2002	Morrisson
5,450,968 A	9/1995	Bustos	6,394,470 B1	5/2002	Shirai
5,450,969 A	9/1995	Johnson	6,398,044 B1	6/2002	Robertson
5,469,976 A	11/1995	Burchell	6,401,942 B1	6/2002	Eckert
5,505,315 A	4/1996	Carroll	6,405,880 B1	6/2002	Webb
5,570,811 A	11/1996	Wittern	6,409,026 B2	6/2002	Watanabe
5,582,376 A	12/1996	Thompson	6,409,028 B2	6/2002	Nickerson
5,597,150 A	1/1997	Stein	6,419,100 B1	7/2002	Menz
D378,888 S	4/1997	Bertilsson	6,428,123 B1	8/2002	Lucht
5,634,564 A	6/1997	Spamer	6,435,359 B1	8/2002	Primiano
5,638,963 A	6/1997	Finnelly	6,439,402 B2	8/2002	Robertson
5,641,082 A	6/1997	Grainger	6,464,089 B1	10/2002	Rankin, VI
5,645,176 A	7/1997	Jay	6,471,053 B1	10/2002	Feibelman
5,655,670 A	8/1997	Stuart	6,474,484 B1	11/2002	Miller
5,657,702 A	8/1997	Ribeyrolles	6,481,133 B1	11/2002	DeSena
5,671,851 A	9/1997	Johnson	6,497,326 B1	12/2002	Osawa
5,673,801 A	10/1997	Markson	6,505,747 B1	1/2003	Robertson
D386,363 S	11/1997	Dardashti	6,511,082 B2	1/2003	Shirai
5,682,824 A	11/1997	Visk	6,523,702 B1	2/2003	Primiano
5,685,664 A	11/1997	Parham	6,527,127 B2	3/2003	Dumontet
5,685,864 A	11/1997	Shanley	6,527,129 B2	3/2003	Osawa
5,690,038 A	11/1997	Merit	6,533,131 B2	3/2003	Bada
5,695,076 A	12/1997	Jay	D472,411 S	4/2003	Burke
5,695,077 A	12/1997	Jay	6,554,143 B1	4/2003	Robertson
5,707,034 A	1/1998	Cotterill	6,598,754 B2	7/2003	Weiler
5,711,432 A	1/1998	Stein	6,604,638 B1	8/2003	Primiano
5,720,230 A	2/1998	Mansfield	6,615,995 B2	9/2003	Primiano
5,738,019 A	4/1998	Parker	6,622,874 B1	9/2003	Hawkinson
5,749,478 A	5/1998	Ellis	6,629,617 B2	10/2003	Osawa
5,839,588 A	11/1998	Hawkinson	6,637,604 B1	10/2003	Jay
D402,490 S	12/1998	Parham	6,648,151 B2	11/2003	Battaglia
5,848,709 A	12/1998	Gelphman	6,659,293 B1	12/2003	Smith
5,855,283 A	1/1999	Johnson	6,666,533 B1	12/2003	Stavros
D405,632 S	2/1999	Parham	D485,699 S	1/2004	Mueller
5,865,324 A	2/1999	Jay	6,679,033 B2	1/2004	Hart
5,873,473 A	2/1999	Pater	6,679,389 B1	1/2004	Robertson
5,873,489 A	2/1999	Ide	6,691,891 B2	2/2004	Maldonado
5,887,732 A	3/1999	Zimmer	6,695,152 B1	2/2004	Fabrizio
5,904,256 A	5/1999	Jay	6,702,127 B2	3/2004	Primiano
5,944,201 A	8/1999	Babboni	6,715,621 B2	4/2004	Boron
5,970,887 A	10/1999	Hardy	6,722,509 B1	4/2004	Robertson
5,971,173 A	10/1999	Valiulis	6,726,039 B2	4/2004	Boron
5,975,318 A	11/1999	Jay	RE38,517 E	5/2004	Pfeiffer
5,992,652 A	11/1999	Springs	6,739,461 B1	5/2004	Robinson
6,006,678 A	12/1999	Merit	6,745,905 B2	6/2004	Bernstein
6,021,908 A	2/2000	Mathews	6,756,975 B1	6/2004	Kishida
6,026,984 A	2/2000	Perrin	6,758,349 B1	7/2004	Kwap
6,029,833 A	2/2000	Yeh	6,766,911 B2	7/2004	Higgins
6,041,720 A	3/2000	Hardy	6,769,552 B1	8/2004	Thalenfeld
6,044,982 A	4/2000	Stuart	6,779,670 B2	8/2004	Primiano
6,062,399 A	5/2000	Henry	6,786,341 B2	9/2004	Stinnett
6,068,142 A	5/2000	Primiano	6,796,445 B2	9/2004	Cyrluk
6,082,556 A	7/2000	Primiano	6,799,523 B1	10/2004	Cunha
6,129,218 A	10/2000	Henry	6,820,754 B2	11/2004	Ondrasik
6,131,748 A	10/2000	Kawasaki	6,824,046 B2	11/2004	Brexel
6,142,316 A	11/2000	Harbour	6,843,382 B2	1/2005	Kanouchi
6,142,317 A	11/2000	Merl	6,860,046 B1	3/2005	Squitieri
6,164,462 A	12/2000	Mumford	6,867,824 B2	3/2005	Eiraku
6,189,734 B1	2/2001	Apps	6,874,646 B2	4/2005	Jay
6,209,731 B1	4/2001	Spamer	6,886,699 B2	5/2005	Johnson
6,227,385 B1	5/2001	Nickerson	6,889,855 B2	5/2005	Nagel
6,237,784 B1	5/2001	Primiano	D506,623 S	6/2005	Ohkubo
D445,615 S	7/2001	Burke	6,902,285 B2	6/2005	Eiraku
6,253,954 B1	7/2001	Yasaka	6,918,495 B1	7/2005	Hoy
D447,683 S *	9/2001	Grosfillex	6,918,736 B2	7/2005	Hart
6,299,004 B1	10/2001	Thalenfeld	6,919,933 B2	7/2005	Zhang
6,305,559 B1	10/2001	Hardy	D508,350 S	8/2005	Higuchi
6,308,839 B1	10/2001	Steinberg	6,923,330 B1	8/2005	Nagel
6,311,852 B1	11/2001	Ireland	6,929,133 B1	8/2005	Knapp
6,325,221 B2	12/2001	Parham	6,955,269 B2	10/2005	Menz
6,325,222 B1	12/2001	Avery	6,957,941 B2	10/2005	Hart
6,330,758 B1	12/2001	Feibelman	6,962,260 B2	11/2005	Jay
6,357,606 B1	3/2002	Henry	6,963,386 B2	11/2005	Poliakine
6,375,015 B1	4/2002	Wingate	6,964,235 B2	11/2005	Hardy
6,382,431 B1	5/2002	Burke	6,964,344 B1	11/2005	Kim
			6,976,598 B2	12/2005	Engel
			D513,970 S *	1/2006	Sterling
			6,981,597 B2	1/2006	Cash
			7,004,334 B2	2/2006	Walsh
					D8/381

(56)

References Cited

U.S. PATENT DOCUMENTS

7,007,614 B2	3/2006	Gaunt	8,056,734 B2	11/2011	Menz
D519,309 S	4/2006	Terada	8,096,427 B2	1/2012	Hardy
7,028,450 B2	4/2006	Hart	8,104,630 B2	1/2012	Schneider
7,028,852 B2	4/2006	Johnson	8,113,601 B2	2/2012	Hardy
D520,776 S	5/2006	Richter	8,118,181 B2	2/2012	Shinozaki
7,040,494 B2	5/2006	Harper	D655,107 S	3/2012	Clark
D524,576 S	7/2006	Nomoto	8,127,944 B2	3/2012	Hardy
7,080,969 B2	7/2006	Hart	8,136,682 B2	3/2012	Hardy
7,086,541 B2	8/2006	Robertson	8,162,154 B2	4/2012	Trulaske
7,093,546 B2	8/2006	Hardy	8,167,149 B2	5/2012	Wamsley
7,104,026 B2	9/2006	Welborn	8,177,076 B2	5/2012	Rataiczak
7,104,410 B2	9/2006	Primiano	8,210,363 B2	7/2012	Hardy
7,108,143 B1	9/2006	Lin	8,215,520 B2	7/2012	Miller
D529,313 S	10/2006	Nomoto	8,225,946 B2	7/2012	Yang
D529,737 S	10/2006	Terada	8,235,222 B2	8/2012	Hardy
D530,117 S	10/2006	Nomoto	8,235,227 B2	8/2012	Hardy
7,124,898 B2	10/2006	Richter	8,317,038 B2	11/2012	Luberto
7,140,499 B2	11/2006	Burke	8,342,340 B2	1/2013	Rataiczak
7,140,705 B2	11/2006	Dressendorfer	8,353,425 B2	1/2013	Lockwood
7,150,365 B2	12/2006	Hardy	8,360,253 B2	1/2013	Hardy
7,152,536 B2	12/2006	Hardy	D677,094 S *	3/2013	Mansor D6/566
7,168,579 B2	1/2007	Richter	8,397,922 B2	3/2013	Kahl
7,182,209 B2	2/2007	Squitieri	8,413,823 B2	4/2013	Hardy
7,195,123 B2	3/2007	Roslof	8,424,466 B2	4/2013	Botkin
D541,082 S	4/2007	Nomoto	8,453,851 B2	6/2013	Ciesick
7,198,340 B1	4/2007	Ertz	8,485,391 B2	7/2013	Vlastakis
7,216,770 B2	5/2007	Mueller	8,496,126 B2	7/2013	Mueller
7,229,143 B2	6/2007	Gilman	8,505,750 B2	8/2013	Shinozaki
7,293,663 B2	11/2007	Lavery	8,505,751 B2	8/2013	Shinozaki
7,299,934 B2	11/2007	Hardy	8,505,752 B2	8/2013	Shinozaki
7,306,301 B2	12/2007	Walburn	8,561,817 B1	10/2013	Allen
7,311,211 B2	12/2007	Chung	8,579,123 B2	11/2013	Mueller
7,318,532 B1	1/2008	Lee	8,622,227 B2	1/2014	Bird
7,347,335 B2	3/2008	Rankin, VI	8,627,965 B2	1/2014	Hardy
7,357,469 B2	4/2008	Ertz	8,646,650 B2	2/2014	Lockwood
7,389,886 B2	6/2008	Hardy	8,662,319 B2	3/2014	Hardy
7,395,938 B2	7/2008	Merit	8,678,207 B2	3/2014	Shimazaki
7,404,494 B2	7/2008	Hardy	8,695,816 B2	4/2014	Troyner
7,419,062 B2	9/2008	Mason	8,720,702 B2	5/2014	Nagel
7,424,957 B1	9/2008	Luberto	8,739,984 B2	6/2014	Hardy
7,438,268 B2	10/2008	Kologe	8,746,468 B2	6/2014	Poulokefalos
7,451,881 B2	11/2008	Hardy	8,752,717 B2	6/2014	Bird
7,462,012 B2	12/2008	Hart	8,800,811 B2	8/2014	Sherretts
7,469,791 B2	12/2008	Phoy	D714,131 S *	9/2014	Mansor D8/381
7,497,341 B2	3/2009	Hardy	8,820,545 B2	9/2014	Kologe
7,497,342 B2	3/2009	Hardy	8,863,963 B2	10/2014	Hardy
7,506,769 B2	3/2009	Howerton	8,893,901 B2	11/2014	Nagel
7,614,350 B2	11/2009	Tuttle	8,910,802 B2	12/2014	Hardy
7,621,409 B2	11/2009	Hardy	8,967,394 B2	3/2015	Hardy
7,626,913 B2	12/2009	Usami	8,978,903 B2	3/2015	Hardy
7,628,282 B2	12/2009	Hardy	8,978,904 B2	3/2015	Hardy
7,641,057 B2	1/2010	Mueller	8,998,005 B2	4/2015	Hardy
7,661,545 B2	2/2010	Hardy	9,016,483 B2	4/2015	Howley
7,665,618 B2	2/2010	Jay	9,033,164 B2	5/2015	Troyner
7,669,722 B2	3/2010	Hardy	9,038,833 B2	5/2015	Ciesick
7,681,743 B2	3/2010	Hanretty	9,038,854 B2	5/2015	Brugmann
7,681,744 B2	3/2010	Johnson	9,060,624 B2	6/2015	Hardy
7,703,614 B2	4/2010	Schneider	9,070,261 B2	6/2015	Hardy
D615,389 S	5/2010	Shinozaki	9,072,394 B2	7/2015	Hardy
D615,390 S	5/2010	Shinozaki	9,084,482 B2	7/2015	Botkin
7,784,623 B2	8/2010	Mueller	9,107,515 B2	8/2015	Hardy
7,823,734 B2	11/2010	Hardy	9,119,488 B2	9/2015	Lockwood
7,828,158 B2	11/2010	Colelli	9,138,075 B2	9/2015	Hardy
7,891,503 B2	2/2011	Hardy	9,149,132 B2	10/2015	Hardy
7,900,783 B2 *	3/2011	Fernandez A47B 45/00 108/108	9,167,913 B2	10/2015	Hardy
7,913,861 B2	3/2011	Mueller	9,173,504 B2	11/2015	Hardy
7,918,353 B1	4/2011	Luberto	9,220,342 B2 *	12/2015	Byrne A47B 97/00
7,922,010 B2	4/2011	Hardy	9,346,391 B2 *	5/2016	Workman B60P 3/14
7,931,156 B2	4/2011	Hardy	9,433,285 B2 *	9/2016	Thrush A47F 5/08
7,934,609 B2	5/2011	Alves	9,486,088 B2	11/2016	Hardy
7,971,735 B2	7/2011	Mueller	9,504,321 B2	11/2016	Hardy
7,980,398 B2	7/2011	Kahl	D774,333 S *	12/2016	Pace D6/675.3
8,025,162 B2	9/2011	Hardy	9,510,677 B2	12/2016	Hardy
8,047,385 B2	11/2011	Hardy	D777,483 S *	1/2017	Bittle D6/681
			2001/0002658 A1	6/2001	Parham
			2001/0010302 A1	8/2001	Nickerson
			2001/0019032 A1	9/2001	Battaglia
			2001/0020604 A1	9/2001	Battaglia
			2001/0042706 A1	11/2001	Ryan

(56)

References Cited

U.S. PATENT DOCUMENTS

2001/0045403 A1 11/2001 Robertson
 2002/0024273 A1 2/2002 Osawa
 2002/0066706 A1 6/2002 Robertson
 2002/0079660 A1 6/2002 Shirai
 2002/0148794 A1 10/2002 Marihugh
 2002/0166830 A1 11/2002 Boron
 2002/0170866 A1 11/2002 Johnson
 2002/0179553 A1 12/2002 Squitieri
 2002/0179556 A1 12/2002 Osawa
 2002/0182050 A1 12/2002 Hart
 2002/0189201 A1 12/2002 Hart
 2002/0189209 A1 12/2002 Hart
 2003/0000956 A1 1/2003 Maldonado
 2003/0000957 A1 1/2003 Brexel
 2003/0007859 A1 1/2003 Hart
 2003/0024889 A1 2/2003 Dumontet
 2003/0029824 A1 2/2003 Weiler
 2003/0057167 A1 3/2003 Johnson
 2003/0080075 A1 5/2003 Primiano
 2003/0085187 A1 5/2003 Johnson
 2003/0132178 A1 7/2003 Jay
 2003/0132182 A1 7/2003 Jay
 2003/0136750 A1 7/2003 Fujii
 2003/0168420 A1 9/2003 Primiano
 2003/0226815 A1 12/2003 Gaunt
 2004/0000528 A1 1/2004 Nagel
 2004/0004046 A1 1/2004 Primiano
 2004/0079715 A1 4/2004 Richter
 2004/0084390 A1 5/2004 Bernstein
 2004/0094493 A1 5/2004 Higgins
 2004/0105556 A1 6/2004 Grove
 2004/0118794 A1 6/2004 Hardy
 2004/0178156 A1 9/2004 Knorring
 2004/0182805 A1 9/2004 Harper
 2004/0206054 A1 10/2004 Welborn
 2004/0232092 A1 11/2004 Cash
 2004/0245197 A1 12/2004 McElvaney
 2005/0040123 A1 2/2005 Ali
 2005/0072747 A1 4/2005 Roslof
 2005/0076817 A1 4/2005 Boks
 2005/0098515 A1 5/2005 Close
 2005/0127014 A1 6/2005 Richter
 2005/0133471 A1 6/2005 Squitieri
 2005/0133474 A1 6/2005 Nomoto
 2005/0139560 A1 6/2005 Whiteside
 2005/0139561 A1 6/2005 Ohkubo
 2005/0166806 A1 8/2005 Hardy
 2005/0189310 A1 9/2005 Richter
 2005/0199563 A1 9/2005 Richter
 2005/0199564 A1 9/2005 Johnson
 2005/0199565 A1 9/2005 Richter
 2005/0224437 A1 10/2005 Lee
 2005/0249577 A1 11/2005 Hart
 2005/0263465 A1 12/2005 Chung
 2005/0286700 A1 12/2005 Hardy
 2006/0001337 A1 1/2006 Walburn
 2006/0021957 A1 2/2006 Hardy
 2006/0032827 A1 2/2006 Phoy
 2006/0049122 A1 3/2006 Mueller
 2006/0049125 A1 3/2006 Stowell
 2006/0086680 A1 4/2006 Burke
 2006/0104758 A1 5/2006 Hart
 2006/0163272 A1 7/2006 Gamble
 2006/0166830 A1 7/2006 Matsuzaki
 2006/0186064 A1 8/2006 Merit
 2006/0196840 A1 9/2006 Jay
 2006/0213852 A1 9/2006 Kwon
 2006/0226095 A1 10/2006 Hardy
 2006/0260518 A1 11/2006 Josefsson
 2006/0263192 A1 11/2006 Hart
 2006/0273053 A1 12/2006 Roslof
 2006/0283150 A1 12/2006 Hart
 2006/0283151 A1 12/2006 Welborn
 2007/0006885 A1 1/2007 Shultz
 2007/0090068 A1 4/2007 Hardy

2007/0108142 A1 5/2007 Medcalf
 2007/0170127 A1 7/2007 Johnson
 2007/0175839 A1 8/2007 Schneider
 2007/0175844 A1 8/2007 Schneider
 2007/0187344 A1 8/2007 Mueller
 2007/0267367 A1 11/2007 Mueller
 2008/0011696 A1 1/2008 Richter
 2008/0129161 A1 6/2008 Menz
 2008/0156751 A1 7/2008 Richter
 2008/0156752 A1 7/2008 Bryson
 2008/0164229 A1 7/2008 Richter
 2008/0203040 A1 8/2008 Kologe
 2008/0296241 A1 12/2008 Alves
 2008/0314852 A1 12/2008 Richter
 2010/0059469 A1 3/2010 Mason
 2010/0078398 A1 4/2010 Hardy
 2010/0276383 A1 11/2010 Hardy
 2011/0139736 A1 6/2011 Hardy
 2011/0174750 A1 7/2011 Pouloukefalos
 2012/0006773 A1 1/2012 Mueller
 2012/0055892 A1 3/2012 Hardy
 2012/0111813 A1 5/2012 Hardy
 2012/0118840 A1 5/2012 Howley
 2013/0015155 A1 1/2013 Brugmann
 2013/0026122 A1 1/2013 Shimazaki
 2013/0026176 A1 1/2013 Brugmann
 2013/0062295 A1 3/2013 Bird
 2013/0193095 A1 8/2013 Nagel
 2013/0193096 A1 8/2013 Hardy
 2013/0327730 A1 12/2013 Hardy
 2014/0034592 A1 2/2014 Hardy
 2014/0097149 A1 4/2014 Hardy
 2014/0116972 A1 5/2014 Botkin
 2014/0117818 A1 5/2014 Dipaolo
 2014/0138330 A1 5/2014 Hardy
 2014/0151313 A1 6/2014 Breslow
 2014/0175024 A1 6/2014 Schoepf
 2014/0175034 A1 6/2014 Hardy
 2014/0175035 A1 6/2014 Hardy
 2014/0190913 A1 7/2014 Hardy
 2014/0217042 A1 8/2014 Hardy
 2014/0226315 A1 8/2014 Nicieja
 2014/0284290 A1 9/2014 Hardy
 2014/0305892 A1 10/2014 Hardy
 2014/0326690 A1 11/2014 Hardy
 2014/0332480 A1 11/2014 Hardy
 2015/0053631 A1 2/2015 Hardy
 2015/0108075 A1 4/2015 Hardy
 2015/0164242 A1 6/2015 Hardy
 2015/0164245 A1 6/2015 Hardy
 2015/0374120 A1 12/2015 Hardy
 2016/0000235 A1 1/2016 Hardy

FOREIGN PATENT DOCUMENTS

CA 2766171 1/2011
 CA 2719208 5/2011
 CA 2725928 6/2011
 CH 412251 A 4/1966
 DE 697994 10/1940
 DE 969003 4/1958
 DE 1819158 10/1960
 DE 2011792 A 3/1970
 DE 7311113 8/1973
 DE 2002720 10/1979
 DE 2232398 3/1981
 DE 2825724 5/1981
 DE 8308485 9/1983
 DE 8426651 2/1985
 DE 8520125 U1 1/1986
 DE 87173867 U1 4/1988
 DE 3707410 A1 9/1988
 DE 9300431 3/1993
 DE 29618870 1/1997
 DE 29902688 7/1999
 DE 29902688 U1 7/1999
 DE 202009013581 U1 3/2010
 DE 202016104354 8/2016
 DE 202016008093 U1 1/2017

(56)

References Cited

FOREIGN PATENT DOCUMENTS

EP 0018003 A2 10/1980
 EP 0004921 11/1981
 EP 0176209 4/1986
 EP 0337340 A3 5/1990
 EP 0398500 A1 11/1990
 EP 0408400 1/1991
 EP 0454586 A1 10/1991
 EP 0224107 1/1992
 EP 0270016 2/1992
 EP 0267569 B1 9/1993
 EP 0568396 11/1993
 EP 0587059 3/1994
 EP 0956794 A2 11/1999
 EP 0986980 3/2000
 EP 1174060 1/2002
 EP 1256296 7/2005
 EP 1857021 11/2007
 EP 1510156 5/2008
 EP 3017724 A1 5/2016
 FR 2385365 10/1978
 FR 2526338 11/1983
 FR 2617385 1/1989
 FR 2724098 3/1996
 FR 2735963 1/1997
 GB 740311 11/1955
 GB 881700 11/1961
 GB 1082150 9/1967
 GB 2027339 2/1989
 GB 2037553 7/1994
 GB 2281289 1/1995
 GB 2283407 5/1995
 GB 2290077 12/1995
 GB 2297241 7/1996
 GB 1088654 11/2000
 GB 2360514 9/2001
 GB 2386116 A 9/2003
 GB 2392667 3/2004
 JP 54168198 11/1979
 JP 59218113 12/1984
 JP 62060521 3/1987
 JP 6202945 8/1987
 JP 63029463 2/1988
 JP S63099810 5/1988
 JP 186856 U 6/1989
 JP 02191412 7/1990
 JP 345766 4/1991
 JP H0369459 U 7/1991
 JP 423463 1/1992
 JP 05277023 10/1993
 JP H0638735 5/1994
 JP 677614 11/1994
 JP 3005457 12/1994
 JP 07000260 1/1995
 JP H07241227 A 9/1995
 JP 9238787 9/1997
 JP 6397114 4/1998
 JP 10263710 10/1998
 JP 1118889 1/1999
 JP 11006284 1/1999
 JP H11155701 A 6/1999
 JP 11313737 11/1999
 JP 11342054 12/1999
 JP H11342054 12/1999
 JP H11346879 12/1999
 JP 2000004996 1/2000
 JP 2000004997 1/2000
 JP 2000004998 1/2000
 JP 2000106988 4/2000
 JP 2000125998 5/2000
 JP 2000157378 6/2000
 JP 2000217675 8/2000
 JP 2000287790 10/2000
 JP 2000287791 10/2000
 JP 2000287795 10/2000
 JP 2000316680 11/2000

JP 2000350642 12/2000
 JP 2001037600 2/2001
 JP 2001078860 3/2001
 JP 2001104117 4/2001
 JP 2001197978 7/2001
 JP 2001240225 9/2001
 JP 2003210286 7/2003
 JP 3099639 U 11/2003
 JP 2004121631 4/2004
 JP 3115289 Y 9/2005
 JP 2005270416 10/2005
 JP 2005270419 10/2005
 JP 3115812 U 11/2005
 JP 3932534 B2 6/2007
 JP 2007307244 A 11/2007
 JP 4708539 B2 6/2011
 NL 106617 C 11/1963
 NL 1018330 5/2002
 SE 394537 B 6/1977
 SE 7409996 6/1977
 SE 76532 12/2002
 SE 77224 12/2003
 SU 1600615 10/1990
 WO 9115141 10/1991
 WO 9201614 2/1992
 WO 9806305 2/1998
 WO 9925220 5/1999
 WO 0071004 11/2000
 WO 02091885 11/2002
 WO 03005862 1/2003
 WO 03013316 2/2003
 WO 03032775 A2 4/2003
 WO 2004021843 3/2004
 WO 2004064484 8/2004
 WO 2004105556 12/2004
 WO 2005037027 4/2005
 WO 2005074564 8/2005
 WO 2005074635 8/2005
 WO 2006019947 2/2006
 WO 2006027872 3/2006
 WO 2006028246 3/2006
 WO 2006094058 9/2006
 WO 2007050527 5/2007
 WO 2007073294 6/2007
 WO 2007133086 11/2007
 WO 2008115769 9/2008
 WO 2008153561 12/2008
 WO 2011002909 1/2011
 WO 2011112539 9/2011
 WO 2012030788 3/2012
 WO 2013033545 3/2013
 WO 2013033555 3/2013
 WO 2014198839 12/2014

OTHER PUBLICATIONS

Hardy, Stephen N., Abandoned U.S. Appl. No. 08/968,599, "Universal Shelf Mounting Bracket," Filed Nov. 13, 1997, 17 pp.
 Henry, et al., Eric, Abandoned U.S. Appl. No. 09/075,647, "Merchandise Display System," Filed May 11, 1998, 41 pp.
 Johnson et al., Allen E., U.S. Appl. No. 60/329,656, "Merchandising System," Filed Oct. 15, 2001, 19 pp.
 Johnson et al., Allen E., U.S. Appl. No. 60/335,924, "Merchandising System," Filed Oct. 31, 2001, 32 pp.
 Johnson, et al., Allen E., U.S. Appl. No. 60/286,892, "Divider System for Shelf or the Like," Filed Apr. 26, 2001, 45 pp.
 Johnson, et al., Allen E., U.S. Appl. No. 60/313,894, "Shelf Divider System," Filed Aug. 21, 2001, 12 pp.
 Kologe, Joseph F., Abandoned U.S. Appl. No. 11/741,317, "Display Bar Assembly for Merchandising Displays," Filed Apr. 30, 2007, 26 pp.
 Richter et al., Gary M., U.S. Appl. No. 60/489,676, "Merchandising System," Filed Jul. 23, 2003, 17 pp.
RTC Industries, Inc. v. Display Specialties, Inc., Case No. 04C3370, Complaint, May 12, 2004.

(56)

References Cited

OTHER PUBLICATIONS

RTC Industries, Inc. v. Display Specialties, Inc., Case No. 04C3370, Defendant Display Specialties, Inc.'s Answer, Affirmative Defenses, and Counterclaim to Complaint, Jun. 9, 2004.

RTC Industries, Inc. v. Display Specialties, Inc., Case No. 04C3370, Reply to Counterclaim, Jul. 2, 2004.

RTC Industries, Inc. v. Fasteners for Retail, Inc. et al., Case No. 05C6940, Answer of Defendant Fasteners for Retail, Inc., Jan. 18, 2006.

RTC Industries, Inc. v. Fasteners for Retail, Inc. et al., Case No. 05C6940, Complaint, Dec. 8, 2005.

RTC Industries, Inc. v. Fasteners for Retail, Inc. et al., Case No. 05C6940, Minute Order, Apr. 25, 2006.

RTC Industries, Inc. v. Fasteners for Retail, Inc., Case No. 03C3137, Amended Complaint, Aug. 6, 2003.

RTC Industries, Inc. v. Fasteners for Retail, Inc., Case No. 03C3137, Defendants' Answer to Plaintiff's Amended Complaint and Counterclaim of Defendant FFR, Aug. 29, 2003.

RTC Industries, Inc. v. Fasteners for Retail, Inc., Case No. 03C3137, Defendants' Opposition to Plaintiff's Motion to Modify and Temporarily Quash Five Subpoenas for Violation of Federal Rule of Civil Procedure 45, Dec. 10, 2003.

RTC Industries, Inc. v. Fasteners for Retail, Inc., Case No. 03C3137, Notice of Motion and Memo in Support to Modify and Temporarily Quash Five Subpoenas for Violation of Federal Rule of Civil Procedure 45, Dec. 8, 2003.

RTC Industries, Inc. v. Fasteners for Retail, Inc., Case No. 03C3137, Plaintiff RTC Industries, Inc.'s Complaint, May 12, 2003.

RTC Industries, Inc. v. Fasteners for Retail, Inc., Case No. 03C3137, Responses to Plaintiff's First Set of Interrogatories to Defendant Fasteners for Retail, Inc. (Nos. 1-15), Oct. 3, 2003.

RTC Industries, Inc. v. Fasteners for Retail, Inc., Case No. 03C3137, RTC Industries' Reply to Defendants' Opposition to Rtc's Motion to Modify and Temporarily Quash Five Subpoenas for Violation of Federal Rule of Civil Procedure 45, Dec. 11, 2003.

RTC Industries, Inc. v. Fasteners for Retail, Inc., Case No. 03C3137, Subpoena Issued to Rexam Beauty and Closures, Inc., Nov. 11, 2003.

RTC Industries, Inc. v. Fasteners for Retail, Inc., Case No. 03C3137, Subpoena Issued to Rexam Cosmetic Packaging, Inc., Nov. 11, 2003.

RTC Industries, Inc. v. Fasteners for Retail, Inc., Case No. 03C3137, Subpoena Issued to Vulcan Spring & Mfg. Co., Oct. 28, 2003.

RTC Industries, Inc. v. Fasteners for Retail, Inc., Civil Docket for Case No. 1:03-CV-03137, Dec. 16, 2003.

RTC Industries, Inc. v. Henschel-Steinau, Inc., Case No. 10C7460, Complaint, Nov. 19, 2010.

RTC Industries, Inc. v. HMG Worldwide Corp., Case No. 00C3300, Amended Complaint, Jan. 19, 2001.

RTC Industries, Inc. v. HMG Worldwide Corp., Case No. 00C3300, Complaint, May 31, 2000.

RTC Industries, Inc. v. HMG Worldwide Corp., Case No. 00C3300, Notice of Motion and Defendant-Counterclaimant HMG Worldwide Corporation's Motion for Leave to File Instant Answer to Plaintiff's Amended Complaint and HMG Worldwide Corporation's Amended Answer and Counterclaims, Feb. 21, 2001.

RTC Industries, Inc. v. HMG Worldwide Corp., Case No. 00C3300, RTC's Reply to HMG Worldwide Corporation's Amended Counterclaims, Oct. 10, 2000.

RTC Industries, Inc. v. HMG Worldwide Corp., Case No. 00C3300, RTC's Reply to HMG Worldwide Corporation's Amended Counterclaims, Mar. 7, 2001.

RTC Industries, Inc. v. Semasys, Inc. and Uni-Sun, Inc., Case No. 04C4081, Complaint, Jun. 17, 2004.

RTC Industries, Inc. v. Semasys, Inc. and Uni-Sun, Inc., Case No. 04C4081, Original Answer, Affirmative Defenses and Counterclaims of Semasys, Inc. and Uni-Sun, Inc., Aug. 3, 2004.

RTC Industries, Inc. v. Semasys, Inc. and Uni-Sun, Inc., Case No. 04C4081, Reply to Counterclaim, Aug. 23, 2004.

RTC Industries, Inc. v. Semasys, Inc. and Uni-Sun, Inc., Civil Docket for Case 1:04-CV-04081, Jan. 28, 2010.

RTC Industries, Inc. v. William Merit & Associates, Inc., Case No. 04C1254, Complaint, Feb. 18, 2004.

RTC Industries, Inc. v. William Merit & Associates, Inc., Case No. 04C1254, Declaration of William Merit in Support of Defendant's Motion for Partial Summary Judgment That Claims 1-8 of U.S. Pat. No. 4,830,201 Are Not Infringed, Apr. 29, 2004.

RTC Industries, Inc. v. William Merit & Associates, Inc., Case No. 04C1254, Defendant's Notice of Motion and Motion for Leave to File Memorandum in Support of Motion for Partial Summary Judgment in Excess of Page Limit, Apr. 29, 2004.

RTC Industries, Inc. v. William Merit & Associates, Inc., Case No. 04C1254, Defendant's Notice of Motion for Partial Summary Judgment of Non-Infringement That Claims 1-8 of U.S. Pat. No. 4,830,201 Are Not Infringed, Apr. 29, 2004.

RTC Industries, Inc. v. William Merit & Associates, Inc., Case No. 04C1254, Evidentiary Objections to RTC Industries, Inc.'s Memorandum in Opposition to William Merit & Associates' Motion for Partial Summary Judgment, Jul. 2, 2004.

RTC Industries, Inc. v. William Merit & Associates, Inc., Case No. 04C1254, Exhibits and Declarations in Support of William Merit & Associates Inc.'s Reply to RTC Industries, Inc.'s Memorandum in Opposition to William Merit & Associates' Motion for Partial Summary Judgment, Jul. 2, 2004.

RTC Industries, Inc. v. William Merit & Associates, Inc., Case No. 04C1254, Index of Exhibits, Jun. 18, 2004.

RTC Industries, Inc. v. William Merit & Associates, Inc., Case No. 04C1254, Memorandum Opinion, Jul. 15, 2004.

RTC Industries, Inc. v. William Merit & Associates, Inc., Case No. 04C1254, Notice of Filing of Additional Exhibit (the Chesley Patent) to RTC Industries, Inc.'s Memorandum in Opposition to William Merit & Associates' Motion for Partial Summary Judgment, Jun. 22, 2004.

RTC Industries, Inc. v. William Merit & Associates, Inc., Case No. 04C1254, RTC Industries, Inc.'s Memorandum in Opposition to William Merit & Associates' Motion for Partial Summary Judgment, Jun. 18, 2004.

RTC Industries, Inc. v. William Merit & Associates, Inc., Case No. 04C1254, RTC Industries, Inc.'s Response to William Merit & Associates Statement Under Local Rule 56.1 of Material Facts to Which There Is No Genuine Issue and Statement of Additional Facts That Require the Denial of Summary Judgment, Jun. 18, 2004.

RTC Industries, Inc. v. William Merit & Associates, Inc., Case No. 04C1254, RTC Industries, Inc.'s Responses to Defendant William Merit & Associates, Inc.'s First Set of Requests for Admission to Plaintiff RTC Industries, Inc., Jun. 1, 2004.

RTC Industries, Inc. v. William Merit & Associates, Inc., Case No. 04C1254, RTC Industries, Inc.'s Sur-Reply to William Merit's Motion for Partial Summary Judgment, Jul. 6, 2004.

RTC Industries, Inc. v. William Merit & Associates, Inc., Case No. 04C1254, RTC's Response to Defendant's Evidentiary Objections to RTC Industries, Inc.'s Memorandum in Opposition to William Merit & Associates' Motion for Partial Summary Judgment, Jul. 6, 2004.

RTC Industries, Inc. v. William Merit & Associates, Inc., Case No. 04C1254, William Merit & Associates Inc.'s Reply to RTC Industries, Inc.'s Memorandum in Opposition to William Merit & Associates' Motion for Partial Summary Judgment, Jul. 2, 2004.

RTC Industries, Inc. v. William Merit & Associates, Inc., Case No. 04C1254, William Merit & Associates, Inc.'s Answer, Apr. 14, 2004.

RTC Industries, Inc. v. William Merit & Associates, Inc., Case No. 04C1254, William Merit & Associates, Inc.'s Statement Under Local Rule 56.1 of Material Facts to Which There Is No Genuine Issue, Apr. 29, 2004.

Rushing, Tom, Abandoned U.S. Appl. No. 08/017280, "Display Apparatus," Filed Feb. 12, 1993, 37 pp.

U.S. Patent and Trademark Office, Final Office Action Issued in U.S. Appl. No. 13/625,333, dated Dec. 19, 2013, 21 pp.

U.S. Patent and Trademark Office, Non-Final Office Action Issued in U.S. Appl. No. 14/189,350, dated Jul. 16, 2014, 14 pp.

(56)

References Cited

OTHER PUBLICATIONS

Vidpro International, Inc. v. RTC Industries, Inc., Case No. 95CV1055-G, Original Complaint, Jun. 2, 1995.

Vidpro International, Inc. v. RTC Industries, Inc., Civil Docket for Case No. 3:95-CV-01055-G, Jan. 2, 1995.

Patent Cooperation Treaty, International Searching Authority, Notification of Transmittal of the International Search Report and the Written Opinion of the International Searching Authority, or the Declaration, Apr. 29, 2015, 12 pp.

* cited by examiner

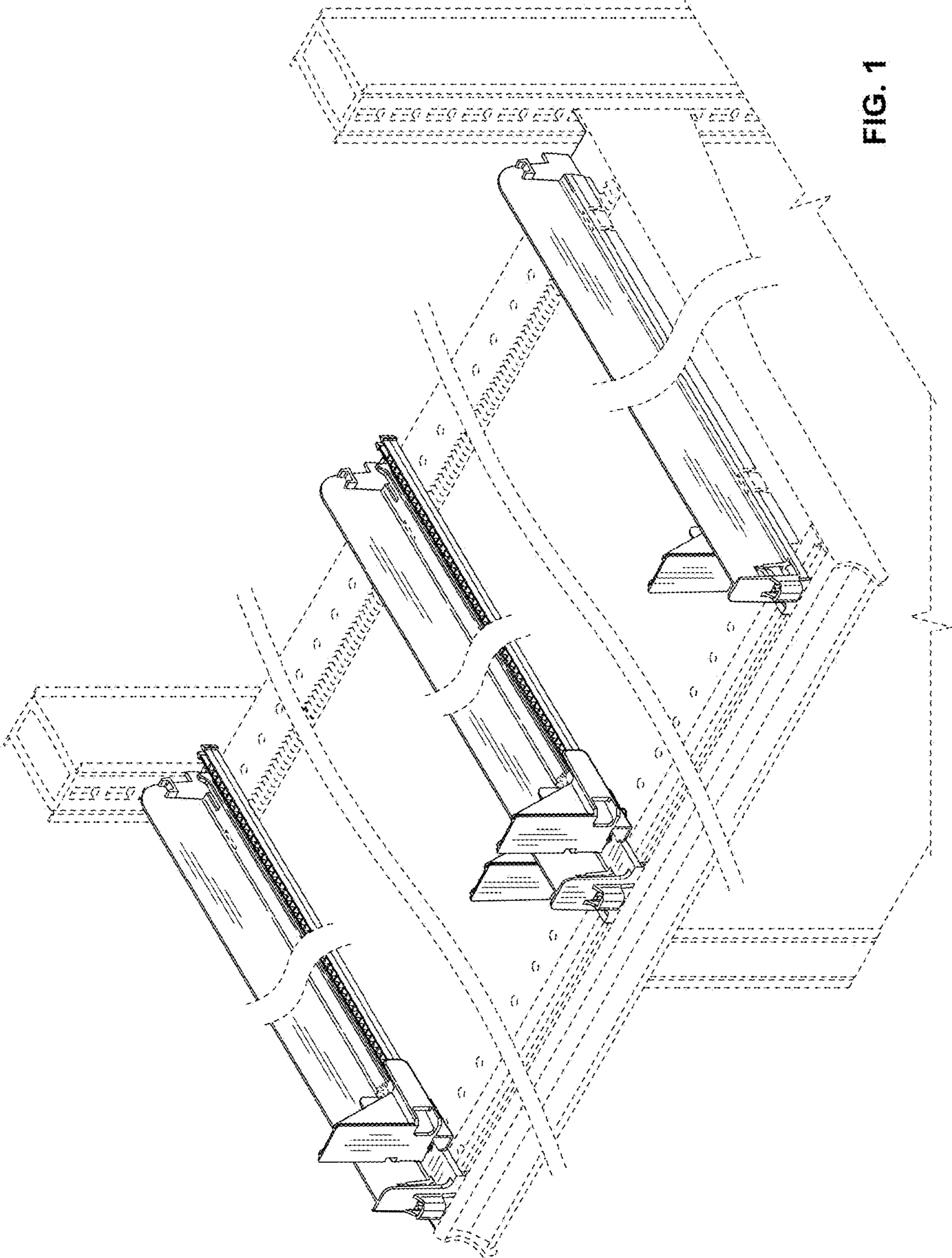


FIG. 1

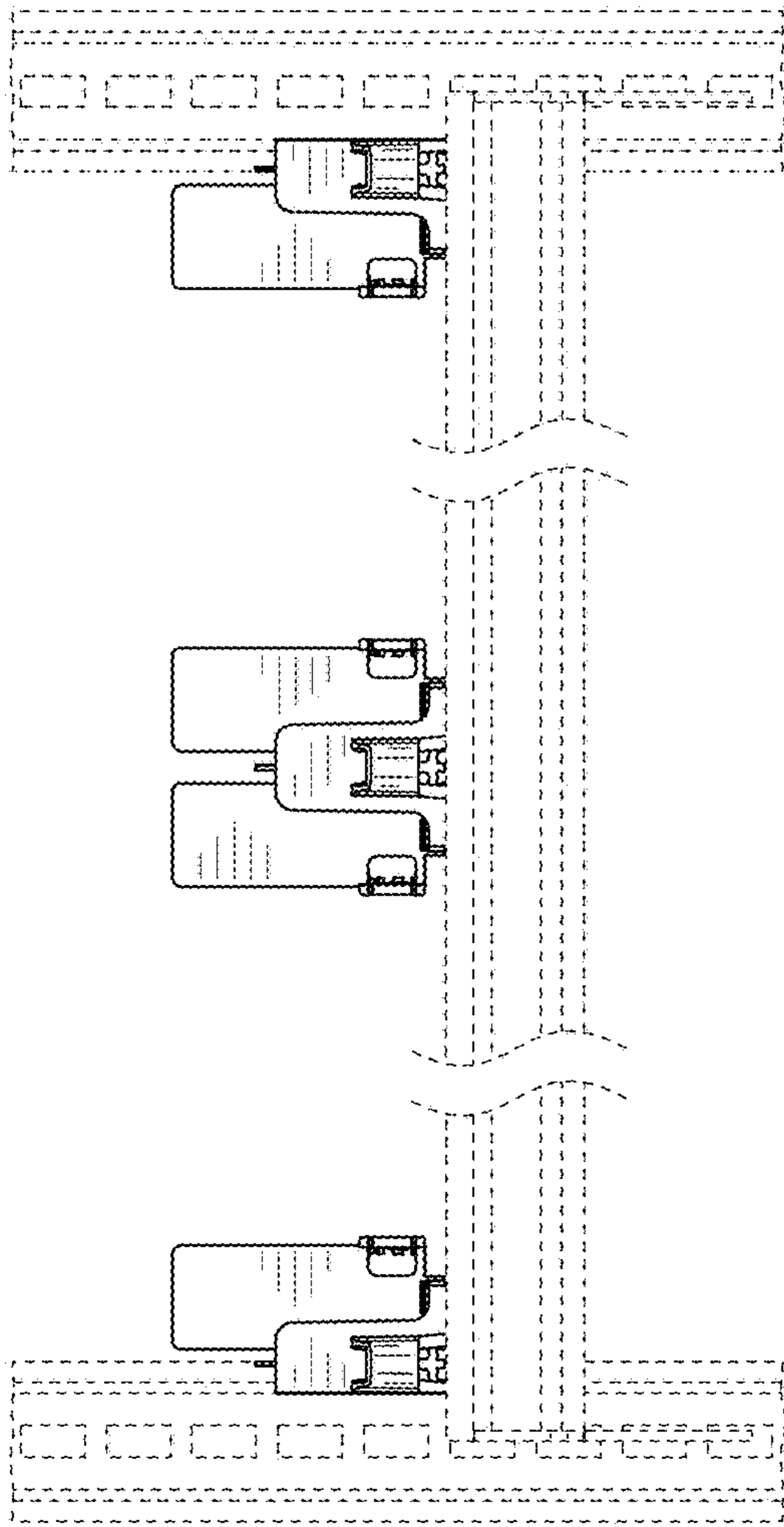


FIG. 2

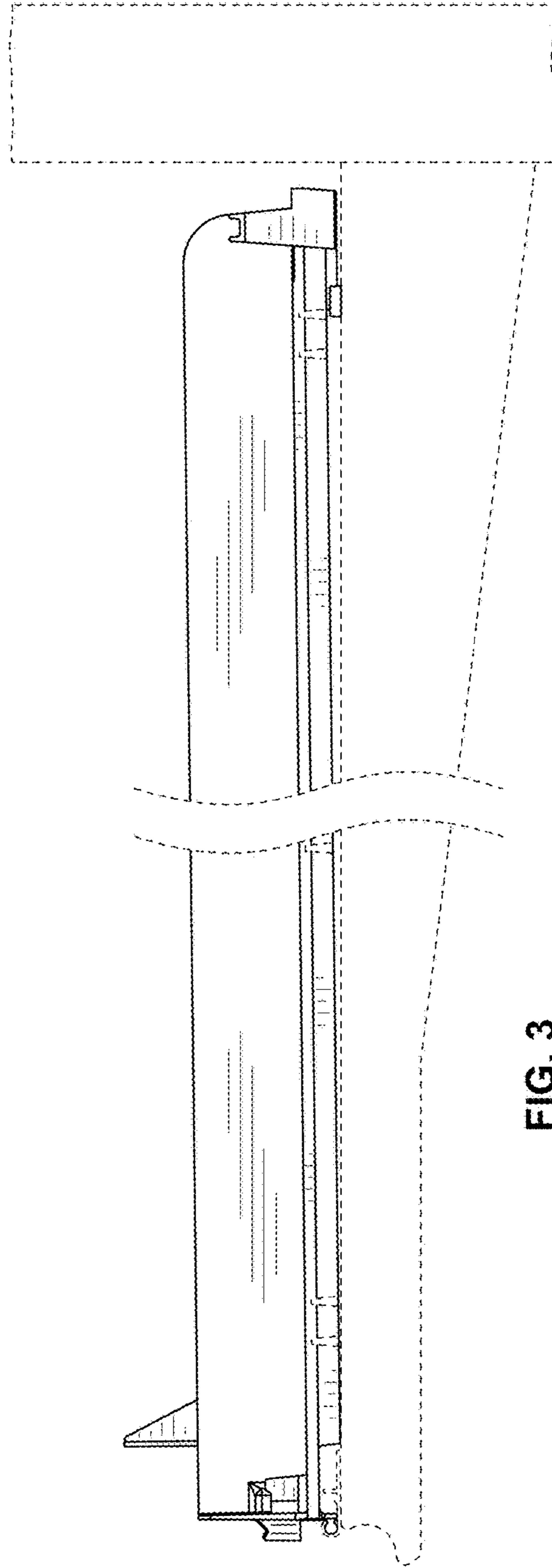


FIG. 3

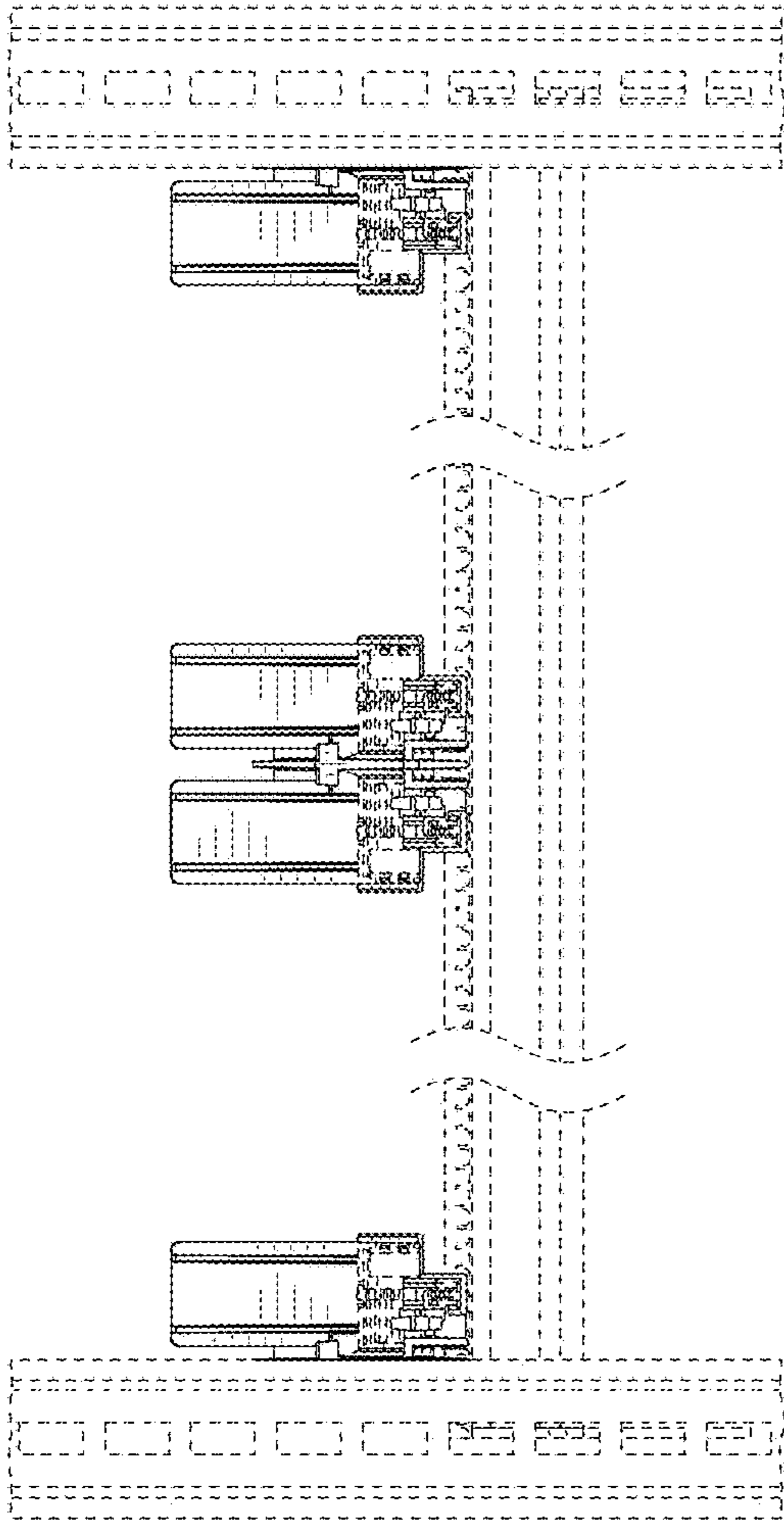


FIG. 4

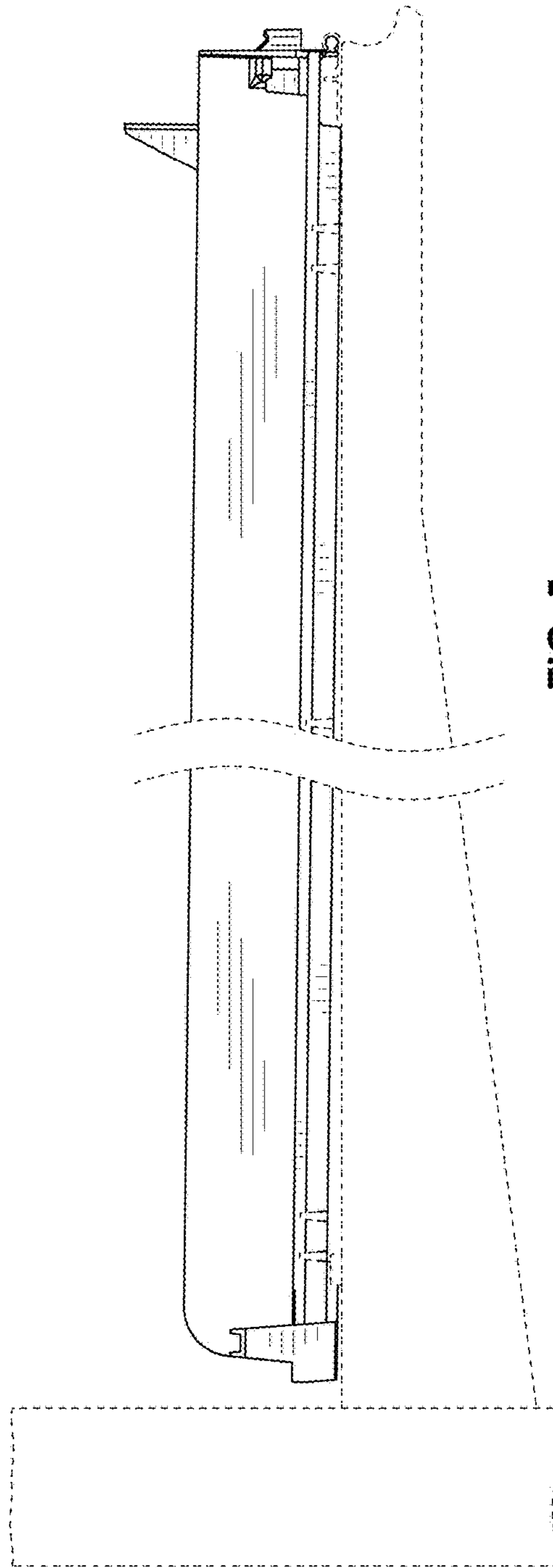


FIG. 5

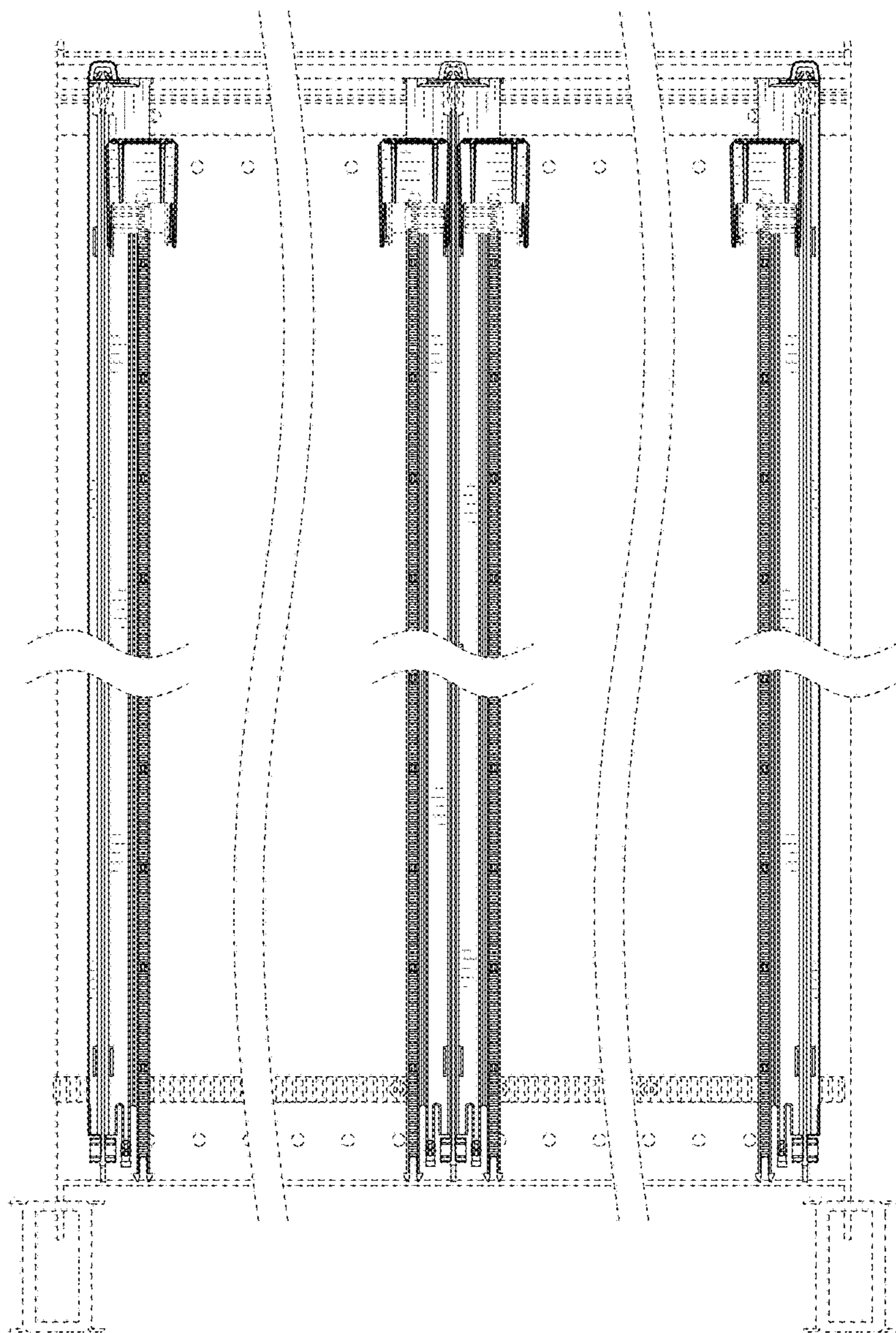


FIG. 6