



US00D801733S

(12) **United States Design Patent** (10) **Patent No.:** **US D801,733 S**  
**Han et al.** (45) **Date of Patent:** **\*\* Nov. 7, 2017**

(54) **STAND FOR TV RECEIVER**  
(71) Applicant: **LG ELECTRONICS INC.**, Seoul (KR)  
(72) Inventors: **Youngsoo Han**, Seoul (KR); **Jongho Kim**, Seoul (KR); **Sunha Park**, Seoul (KR); **Youngkyoung Kim**, Seoul (KR); **Nari Lee**, Seoul (KR)  
(73) Assignee: **LG ELECTRONICS INC.**, Seoul (KR)

D705,200 S \* 5/2014 Choi ..... D14/239  
D714,757 S \* 10/2014 Lee ..... D14/209.1  
D716,277 S \* 10/2014 Kim ..... D14/239  
D716,777 S \* 11/2014 Kim ..... D14/239  
D723,486 S \* 3/2015 Lee ..... D14/126  
D725,661 S \* 3/2015 Snyder ..... D14/451  
D726,195 S \* 4/2015 Snyder ..... D14/451  
D742,364 S \* 11/2015 Reinhertz ..... D14/239  
D743,724 S \* 11/2015 Robinson ..... D6/709  
D761,238 S \* 7/2016 Ann ..... D14/239  
D772,622 S \* 11/2016 Young ..... D6/691

\* cited by examiner

(\*\*) Term: **15 Years**

*Primary Examiner* — Kelley Donnelly

(21) Appl. No.: **29/551,413**

(74) *Attorney, Agent, or Firm* — Birch, Stewart, Kolasch & Birch, LLP

(22) Filed: **Jan. 13, 2016**

(57) **CLAIM**

(30) **Foreign Application Priority Data**

The ornamental design for a stand for TV receiver, as shown and described.

Jul. 14, 2015 (KR) ..... 30-2015-0035312

(51) **LOC (10) Cl.** ..... **06-06**

**DESCRIPTION**

(52) **U.S. Cl.**

USPC ..... **D6/676**

(58) **Field of Classification Search**

USPC ..... D14/125–134, 239, 371, 374–377, 448, D14/336, 339; D6/300, 310, 672, 673, D6/676; D21/329, 333

CPC ... A47B 2013/024; A47B 13/10; A47B 21/04; A47F 5/04

See application file for complete search history.

FIG. 1 is a front, right side, perspective view of a stand for TV receiver showing our new design;  
FIG. 2 is a front view thereof;  
FIG. 3 is a rear view thereof;  
FIG. 4 is a left side view thereof;  
FIG. 5 is a right side view thereof;  
FIG. 6 is a top view thereof;  
FIG. 7 is a bottom view thereof; and,  
FIG. 8 is a front, right side, perspective view in a use state thereof.

(56) **References Cited**

**U.S. PATENT DOCUMENTS**

D181,826 S \* 12/1957 White ..... D11/143  
D588,851 S \* 3/2009 Morales ..... D6/552

The broken lines showing is included for the purpose of illustrating environment and forms no part of the claimed design.

**1 Claim, 7 Drawing Sheets**

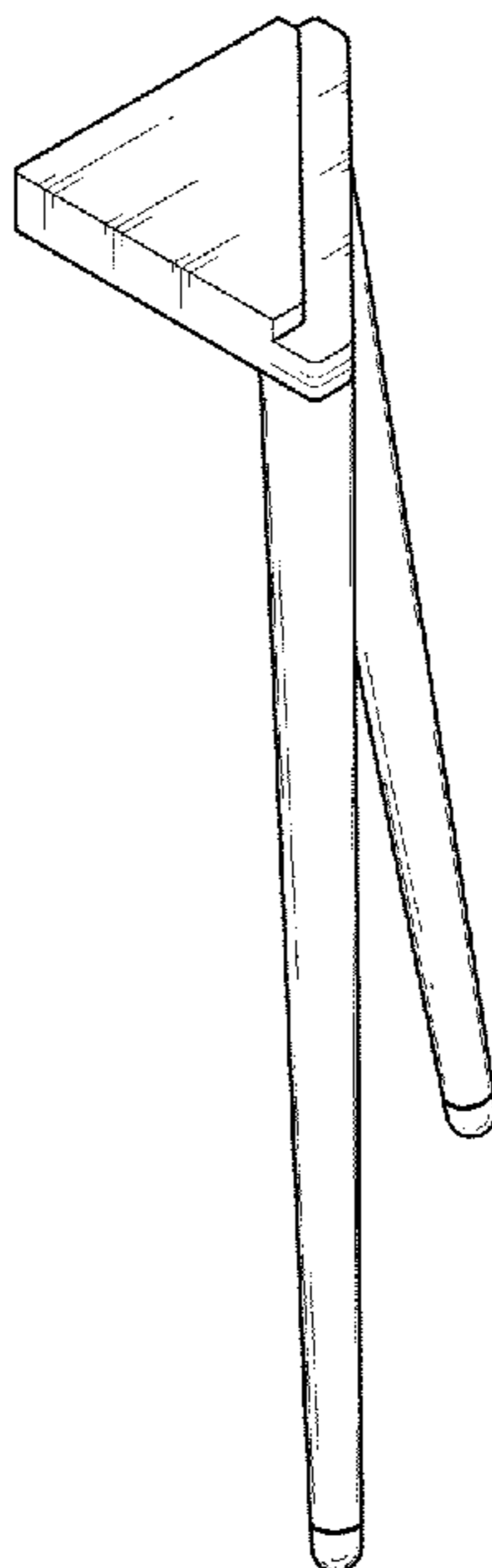


FIG. 1



FIG. 2

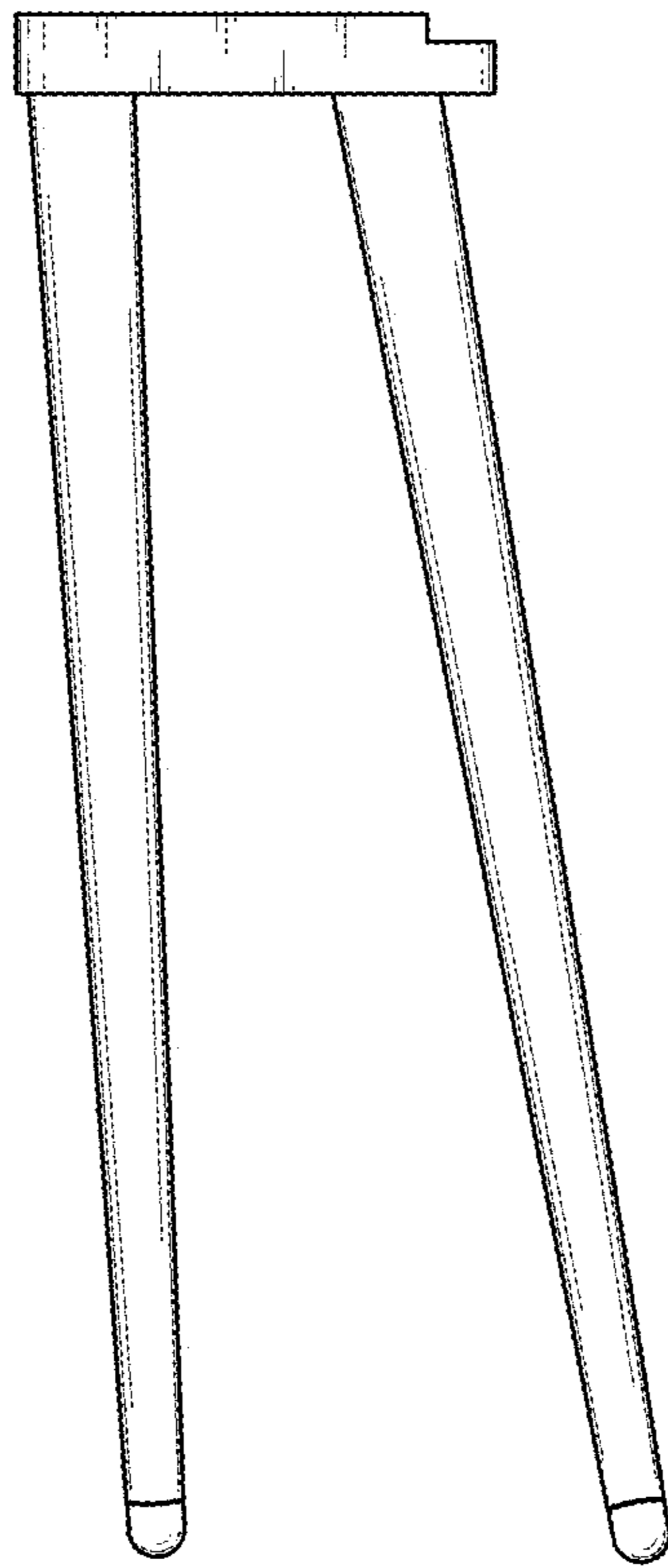


FIG. 3

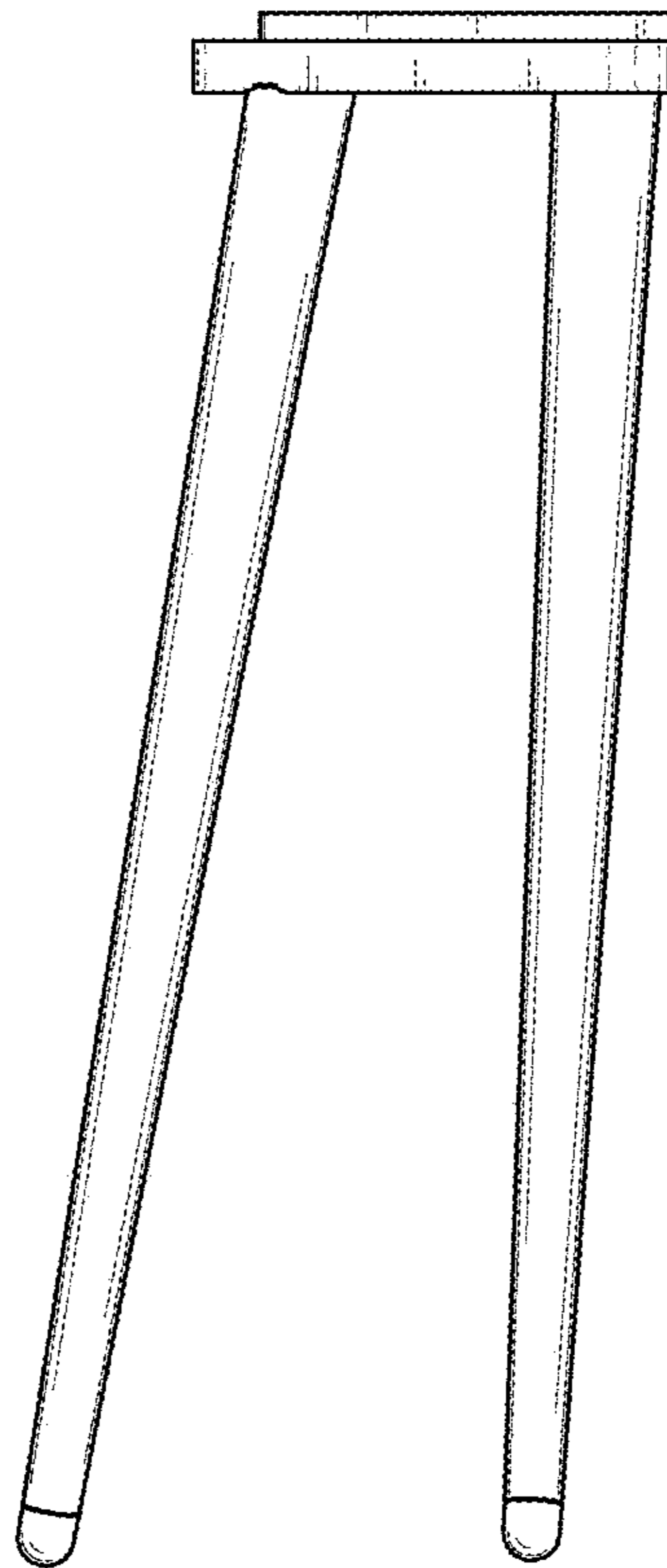


FIG. 4

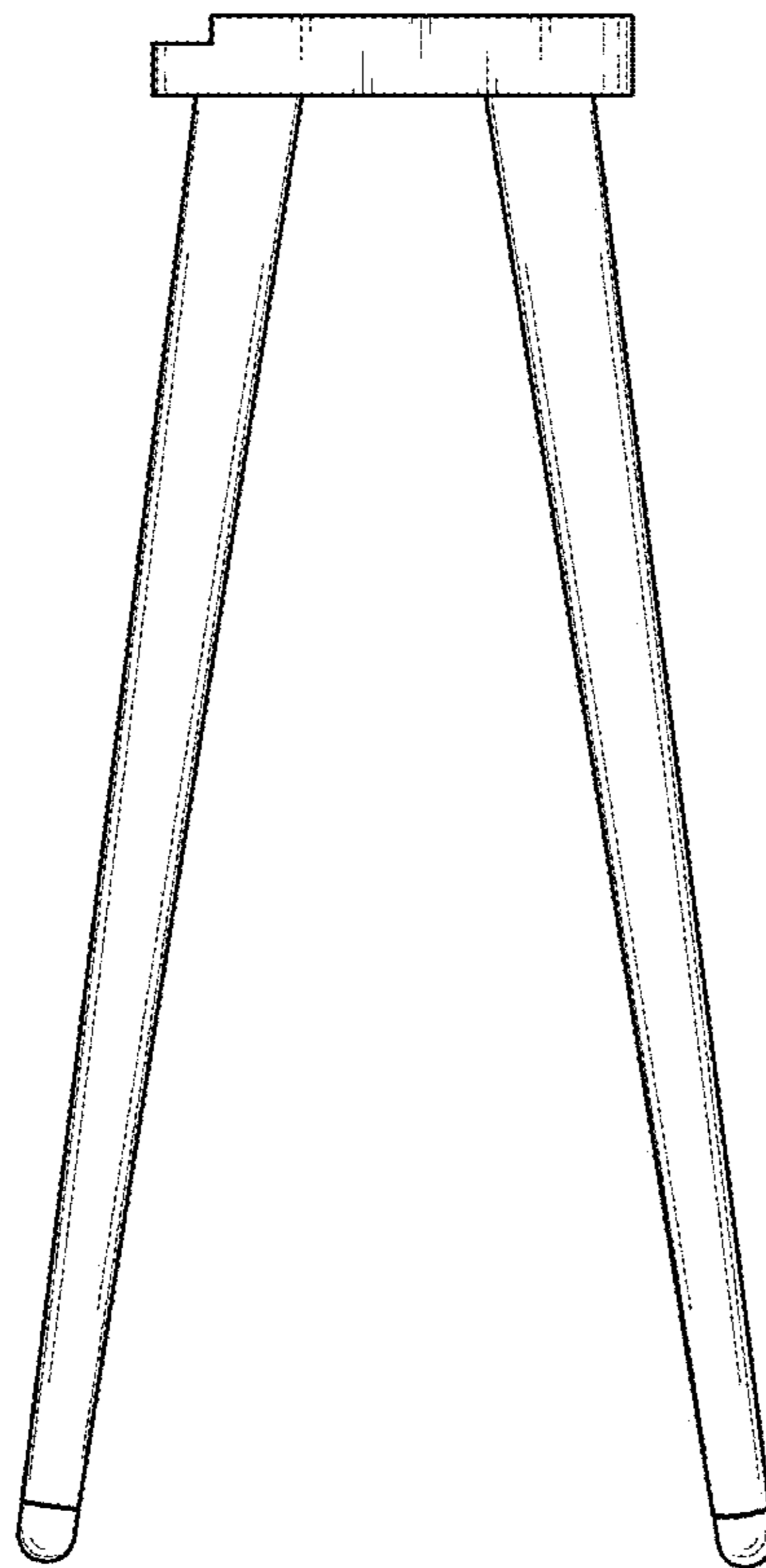


FIG. 5

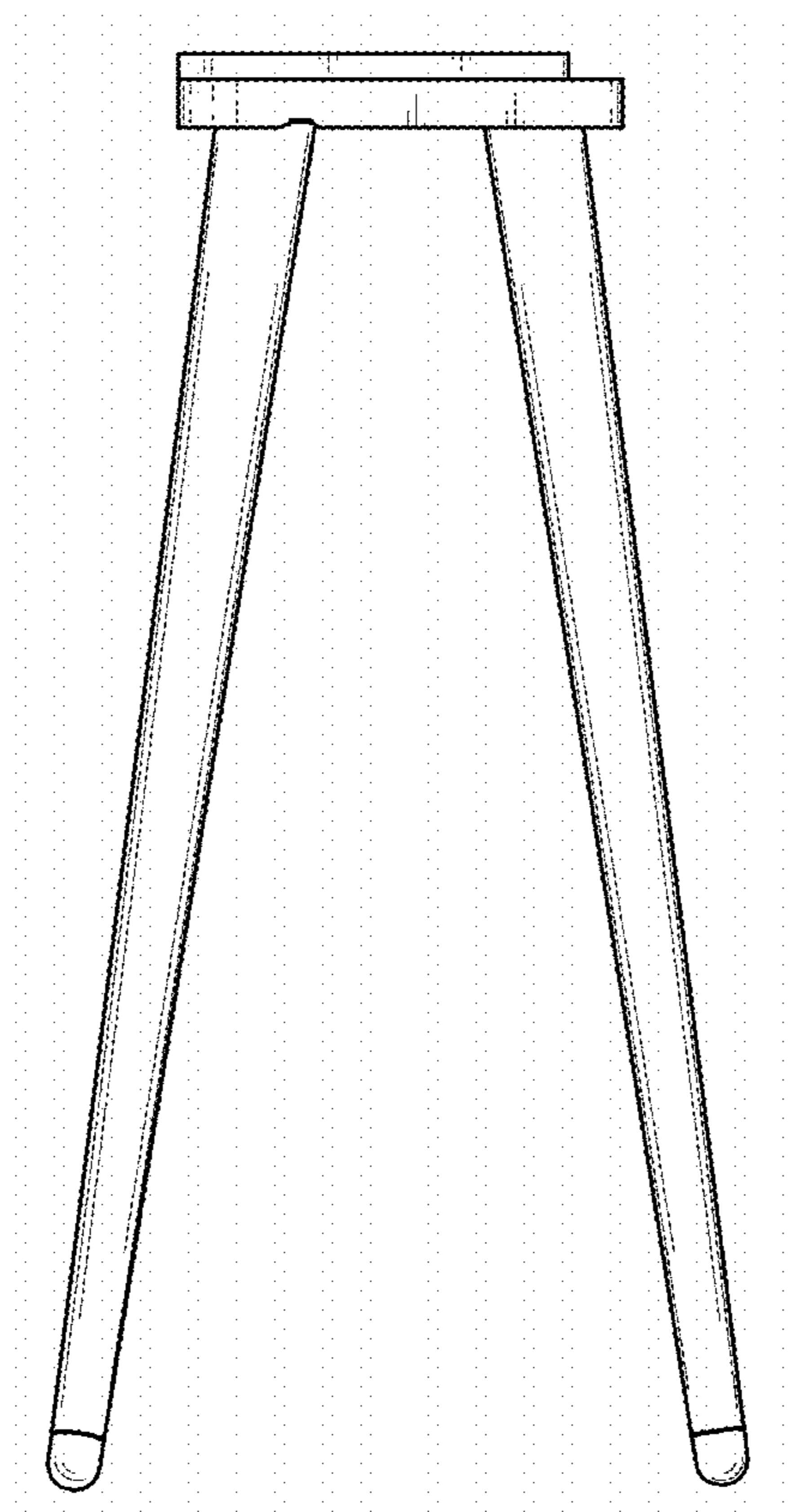


FIG. 6

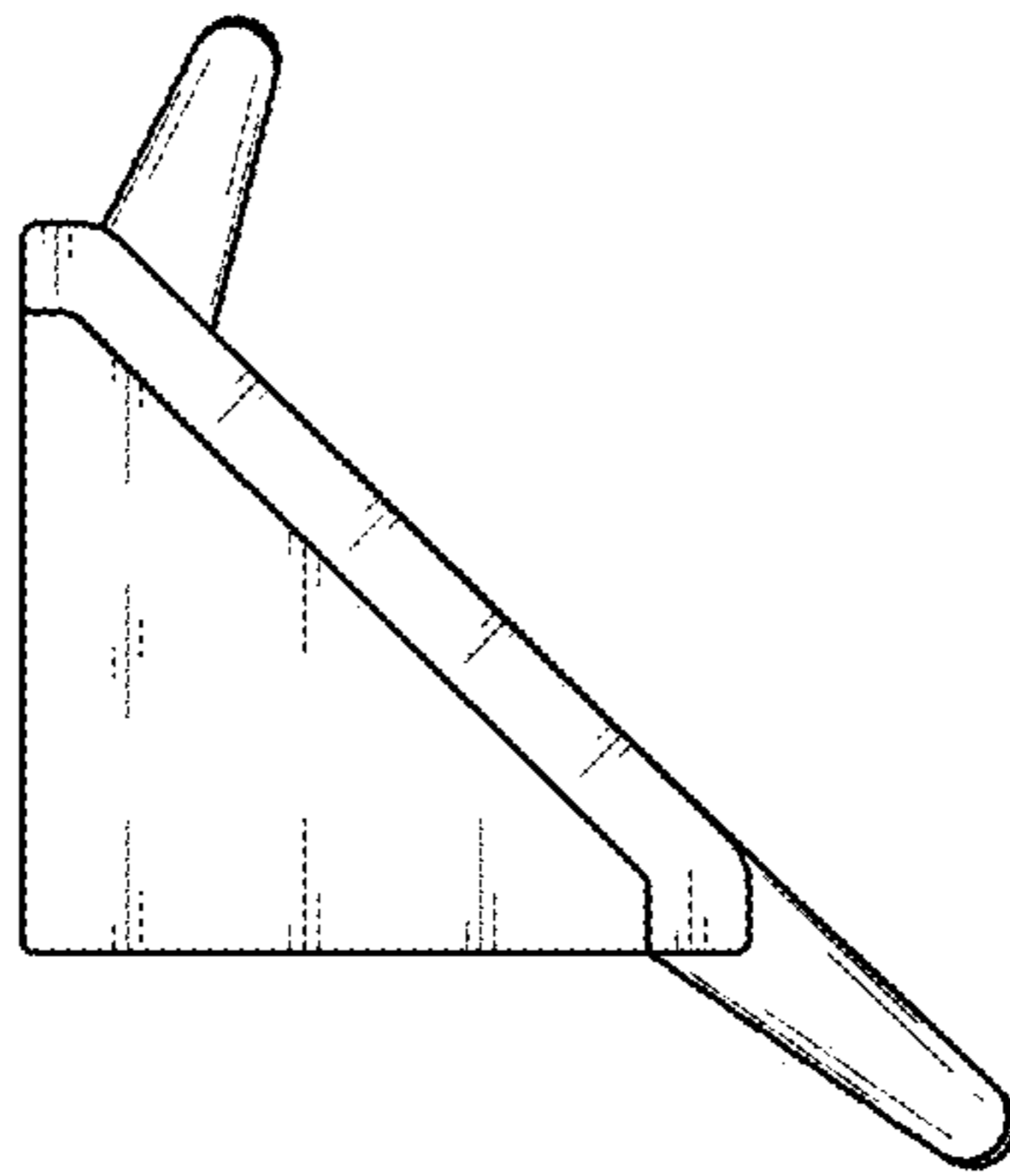


FIG. 7

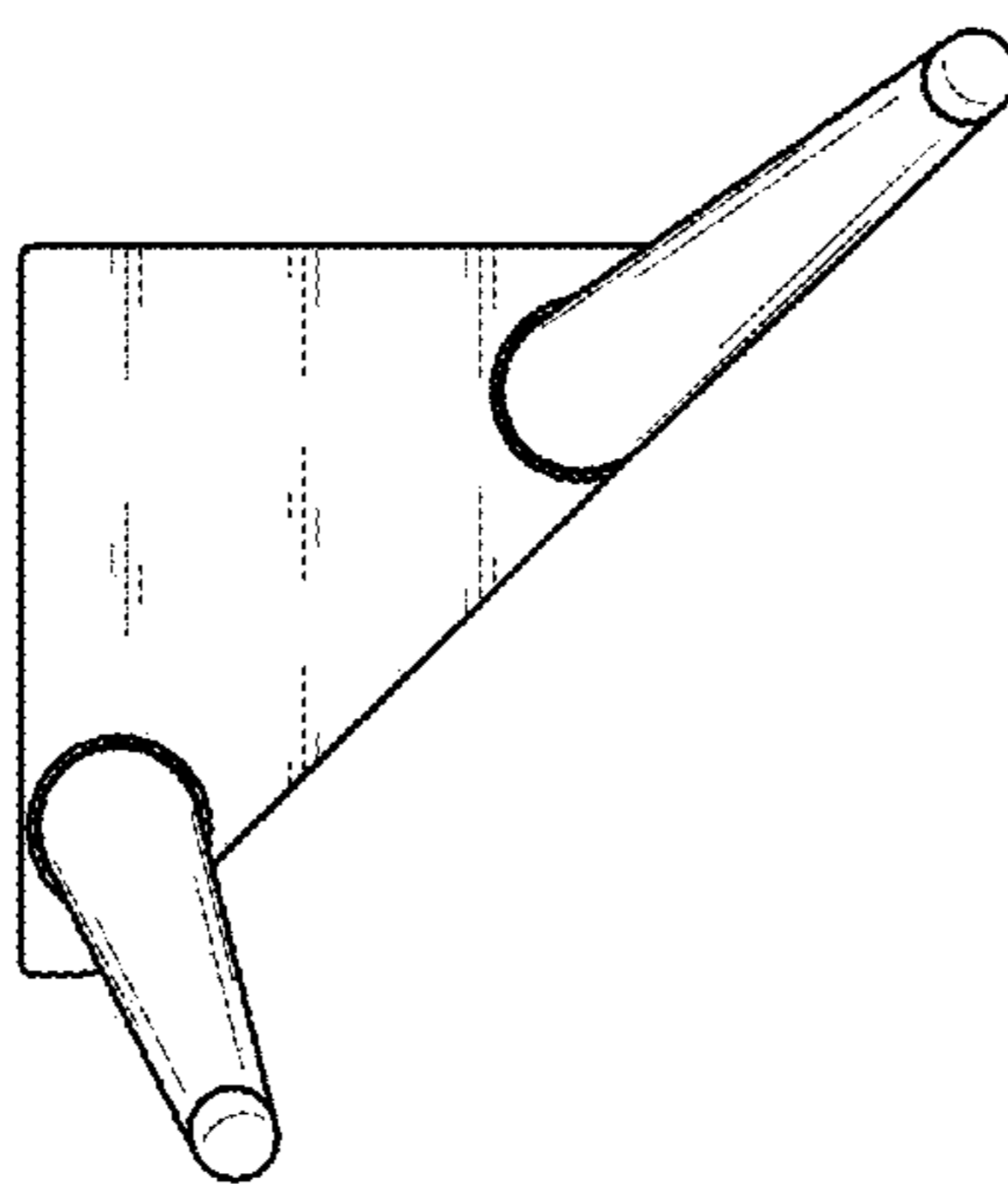


FIG. 8

