



US00D801731S

(12) **United States Design Patent**
Cao

(10) **Patent No.:** **US D801,731 S**

(45) **Date of Patent:** **** Nov. 7, 2017**

(54) **STORAGE RACK**

(71) Applicant: **Guohua Cao**, Guangdong Province
(CN)

(72) Inventor: **Guohua Cao**, Guangdong Province
(CN)

(**) Term: **15 Years**

(21) Appl. No.: **29/560,889**

(22) Filed: **Apr. 12, 2016**

(51) **LOC (10) Cl.** **20-02**

(52) **U.S. Cl.**
USPC **D6/675.1**

(58) **Field of Classification Search**
USPC D6/675-675.3, 678.2, 680, 680.2;
D34/17, 21

CPC A47B 87/0261
See application file for complete search history.

(56) **References Cited**

U.S. PATENT DOCUMENTS

D405,627 S * 2/1999 Salvucci D6/675.2
D423,826 S * 5/2000 Ho D6/675.1

D425,723 S * 5/2000 Hurt D6/675.2
D585,621 S * 1/2009 Taillon D34/21
D622,082 S * 8/2010 Booth D6/675
D657,110 S * 4/2012 Schlomann D34/21
D704,482 S * 5/2014 Hsu D6/675.1
D752,906 S * 4/2016 Gunderson D6/675.1
D785,995 S * 5/2017 Tsai D6/675.1
2009/0166991 A1 * 7/2009 Cai A47B 31/00
280/47.35

* cited by examiner

Primary Examiner — John Windmuller

Assistant Examiner — Melvin L Davis

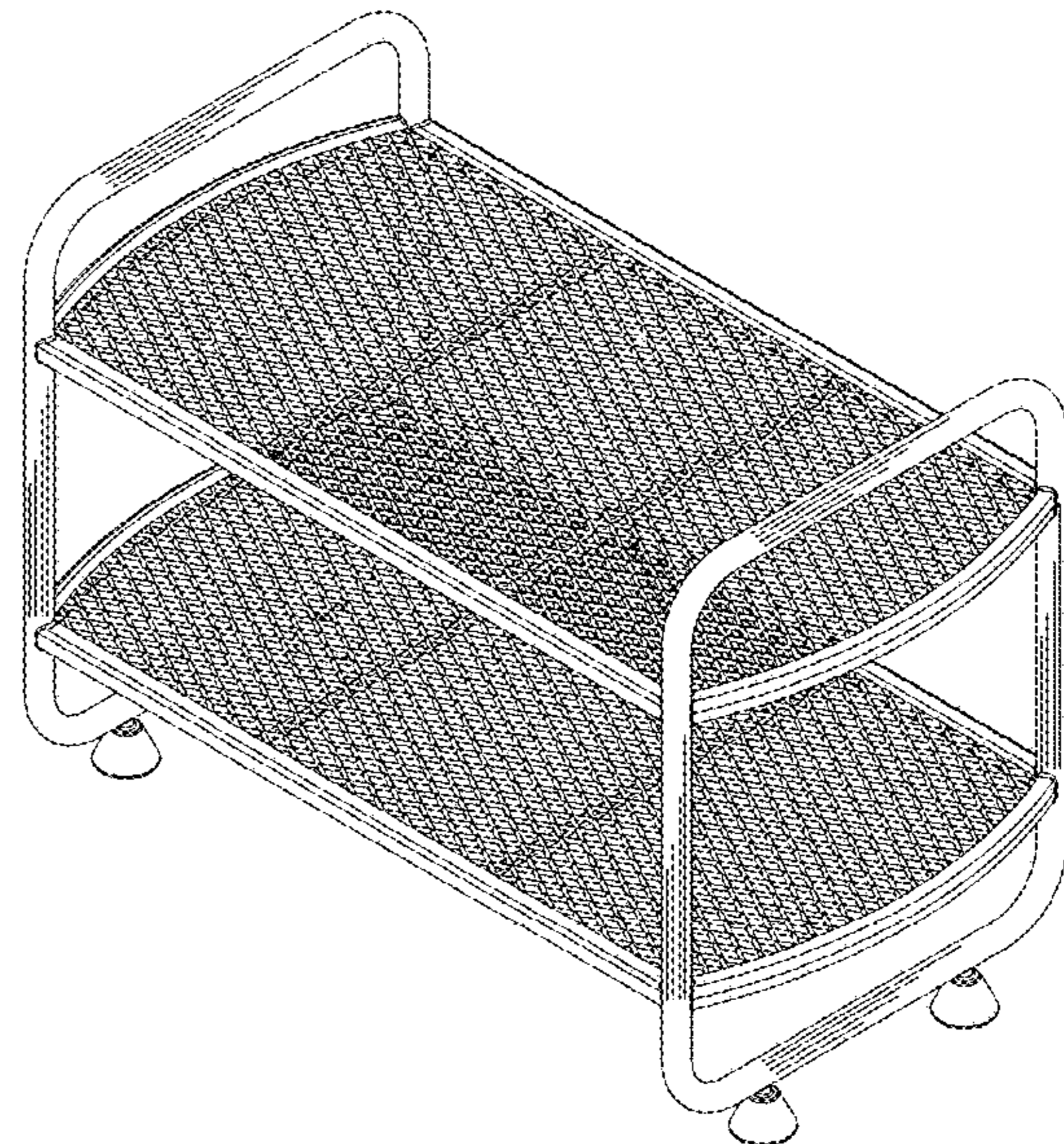
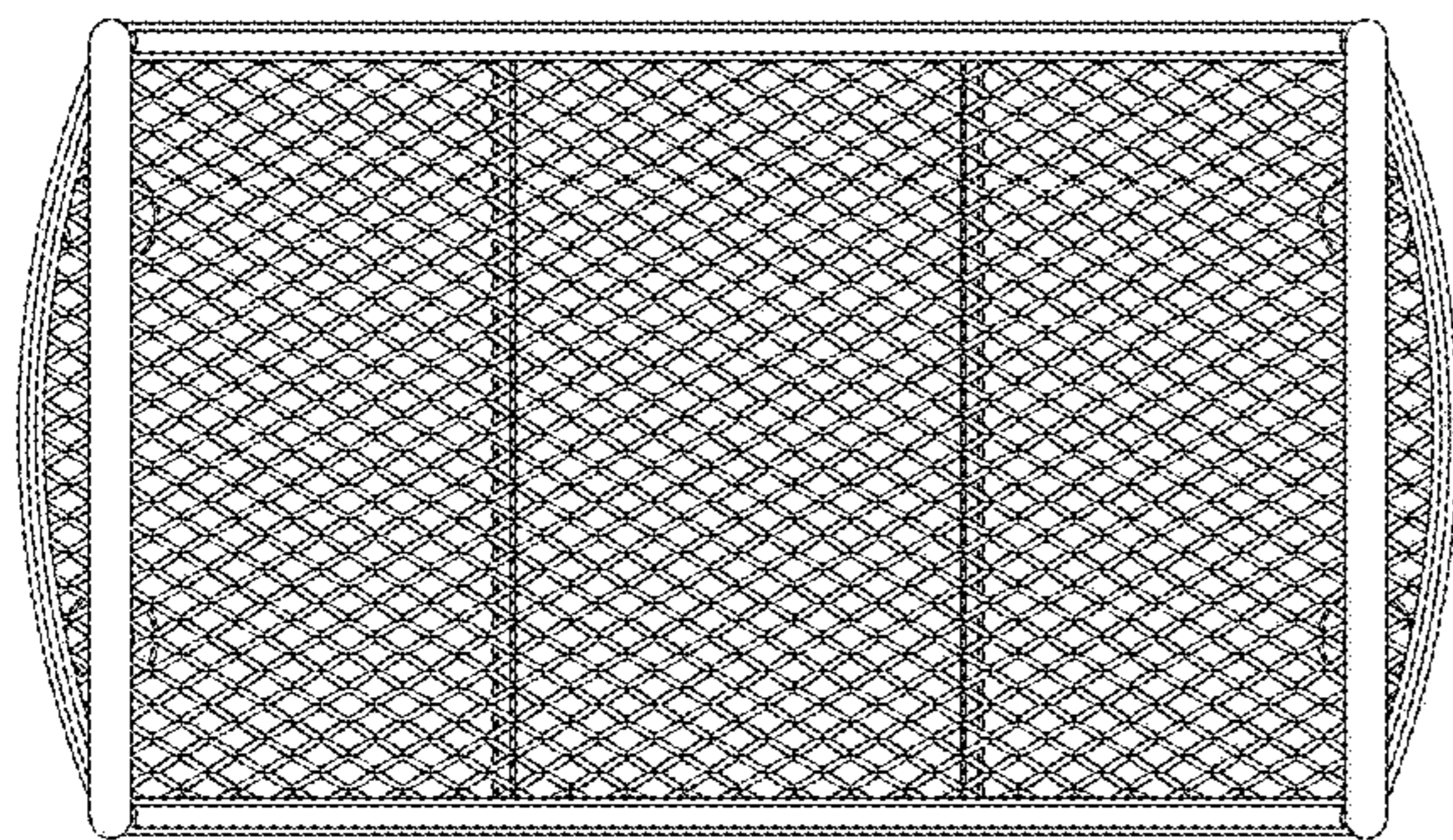
(57) **CLAIM**

The ornamental design for a storage rack, as shown.

DESCRIPTION

FIG. 1 is a front elevational view of a storage rack showing my new design;
FIG. 2 is a rear elevational view thereof;
FIG. 3 is a left side view thereof;
FIG. 4 is a right side view thereof;
FIG. 5 is a top plan view thereof;
FIG. 6 is a bottom plan view thereof; and,
FIG. 7 is a perspective view thereof.

1 Claim, 4 Drawing Sheets



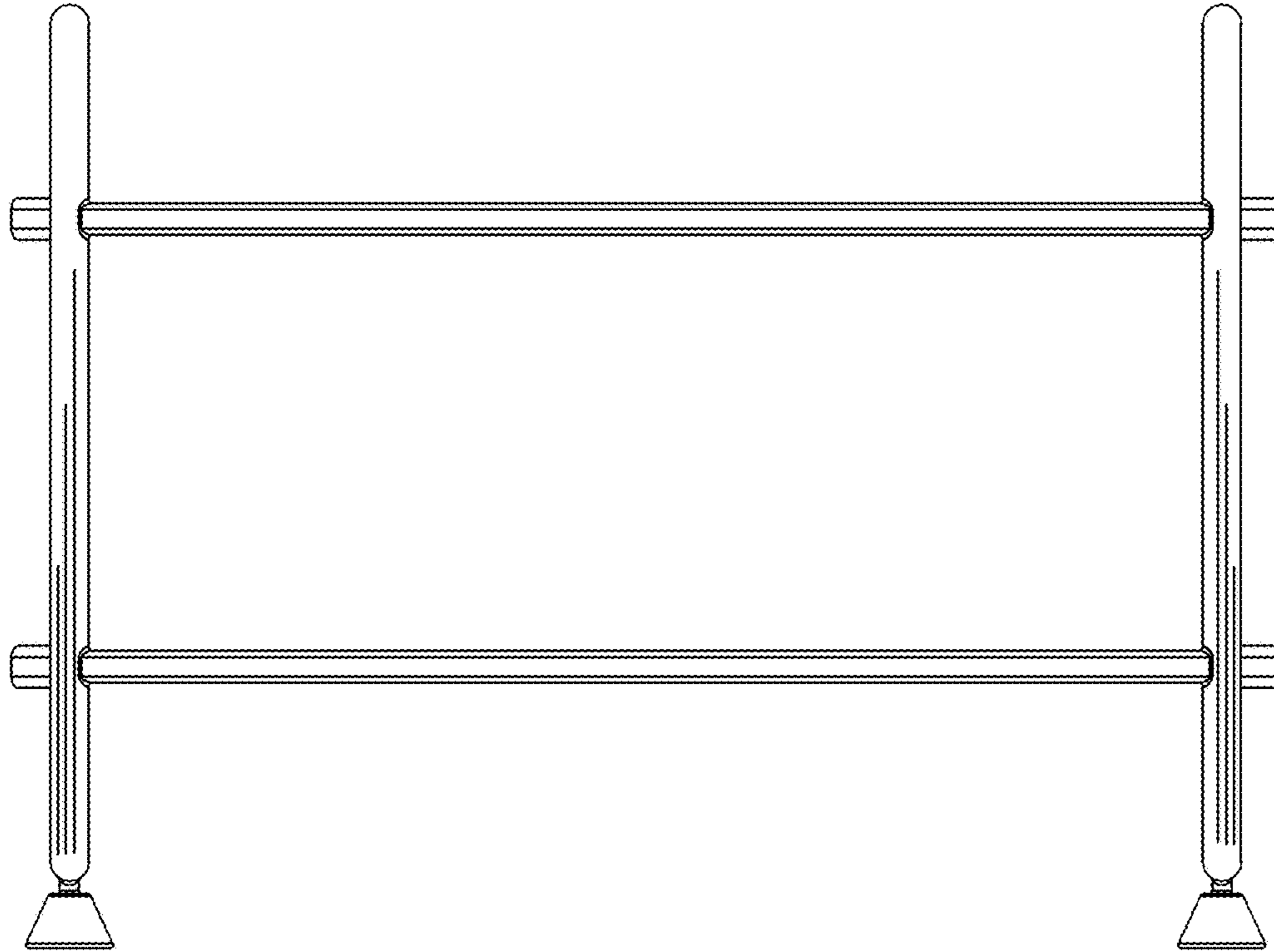


FIG. 1



FIG. 2

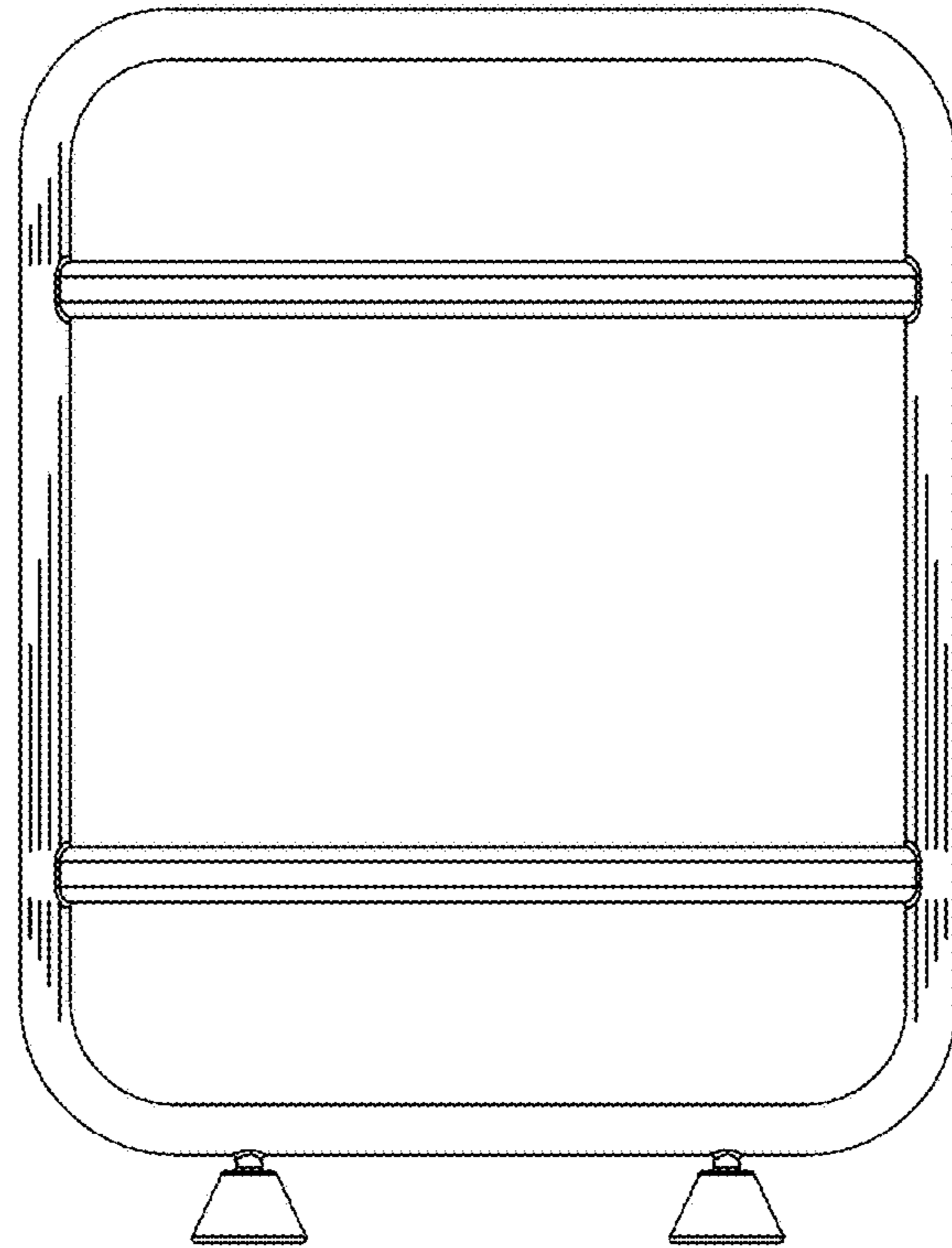


FIG. 3

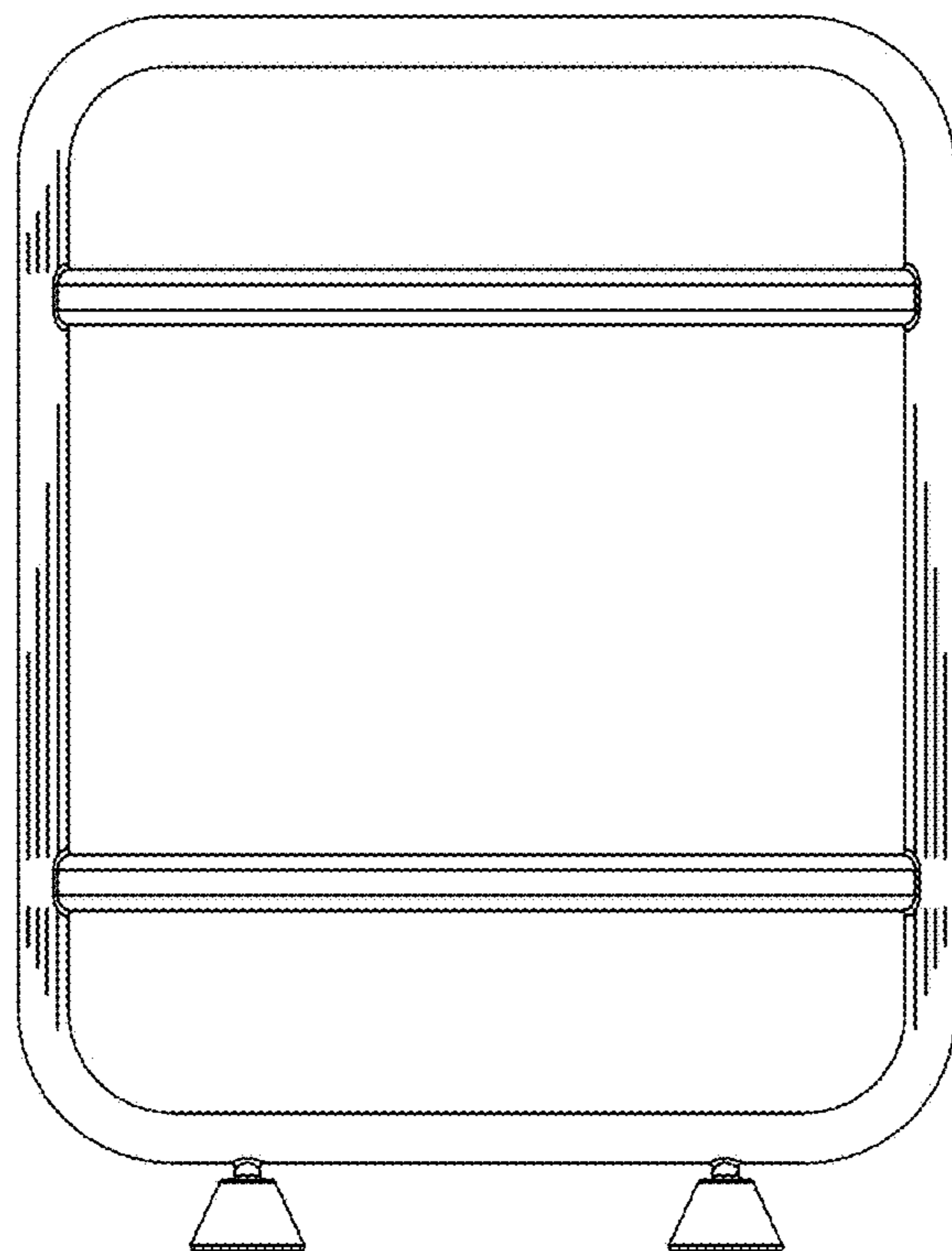


FIG. 4

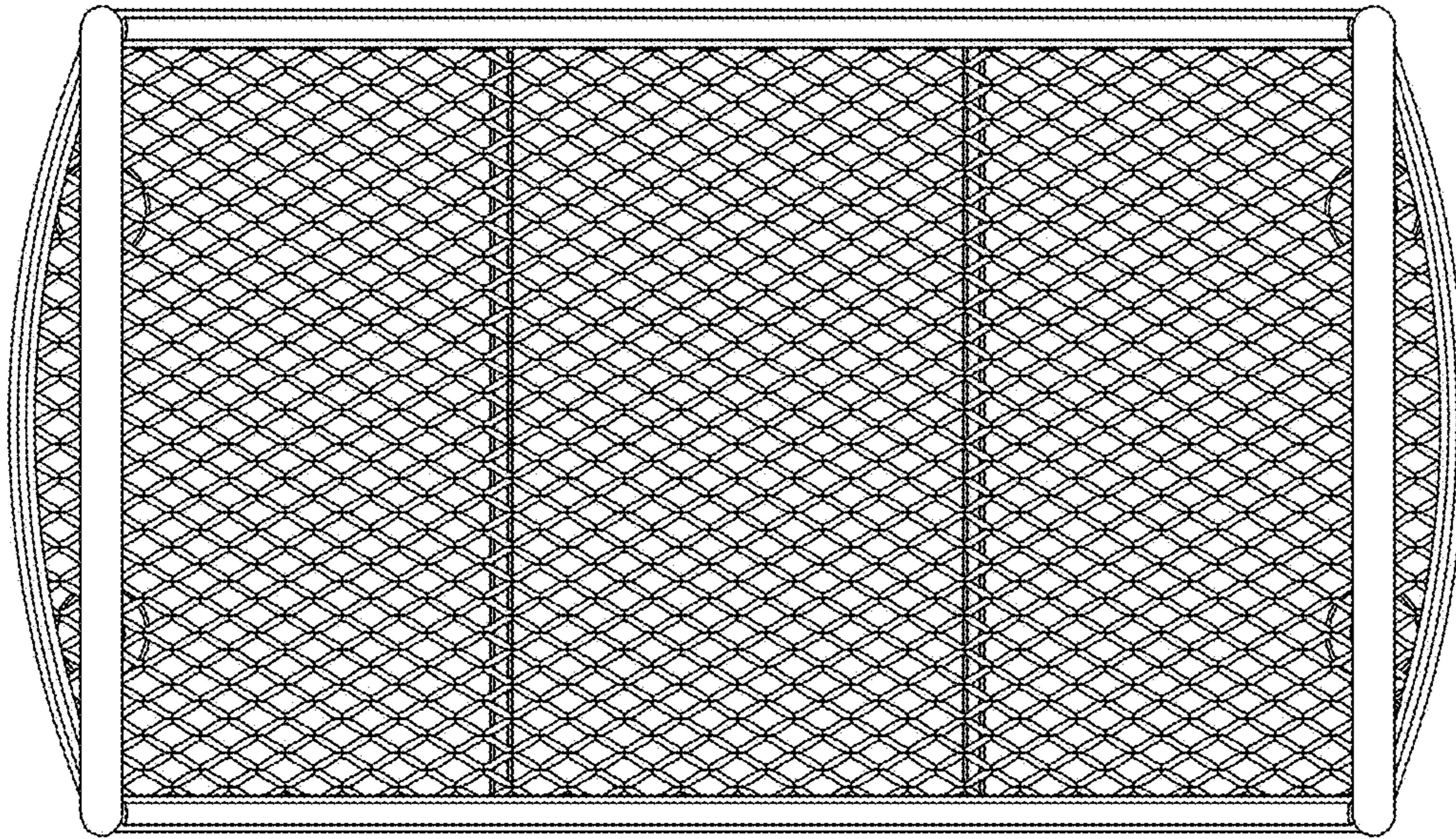


FIG. 5

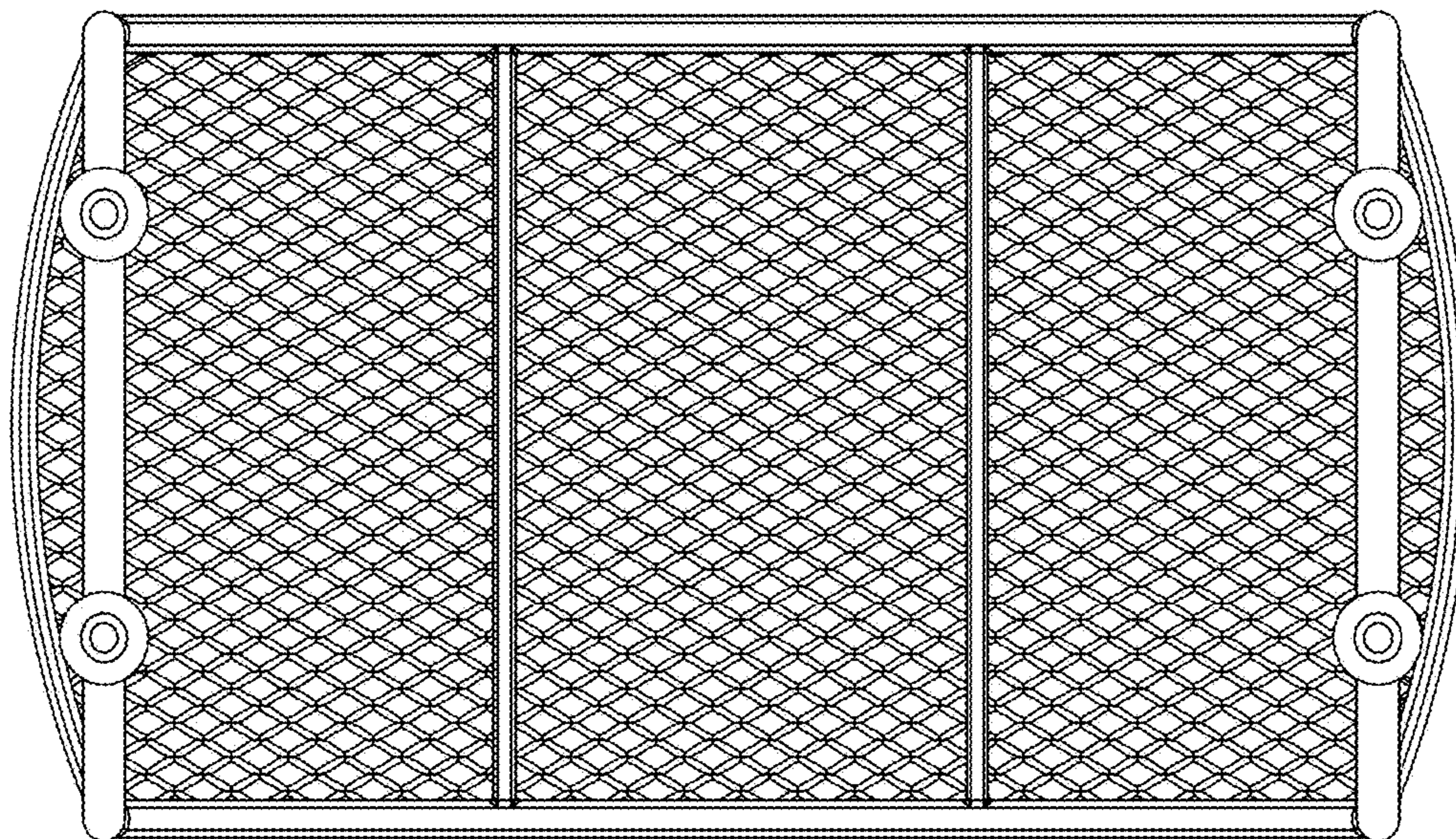


FIG. 6

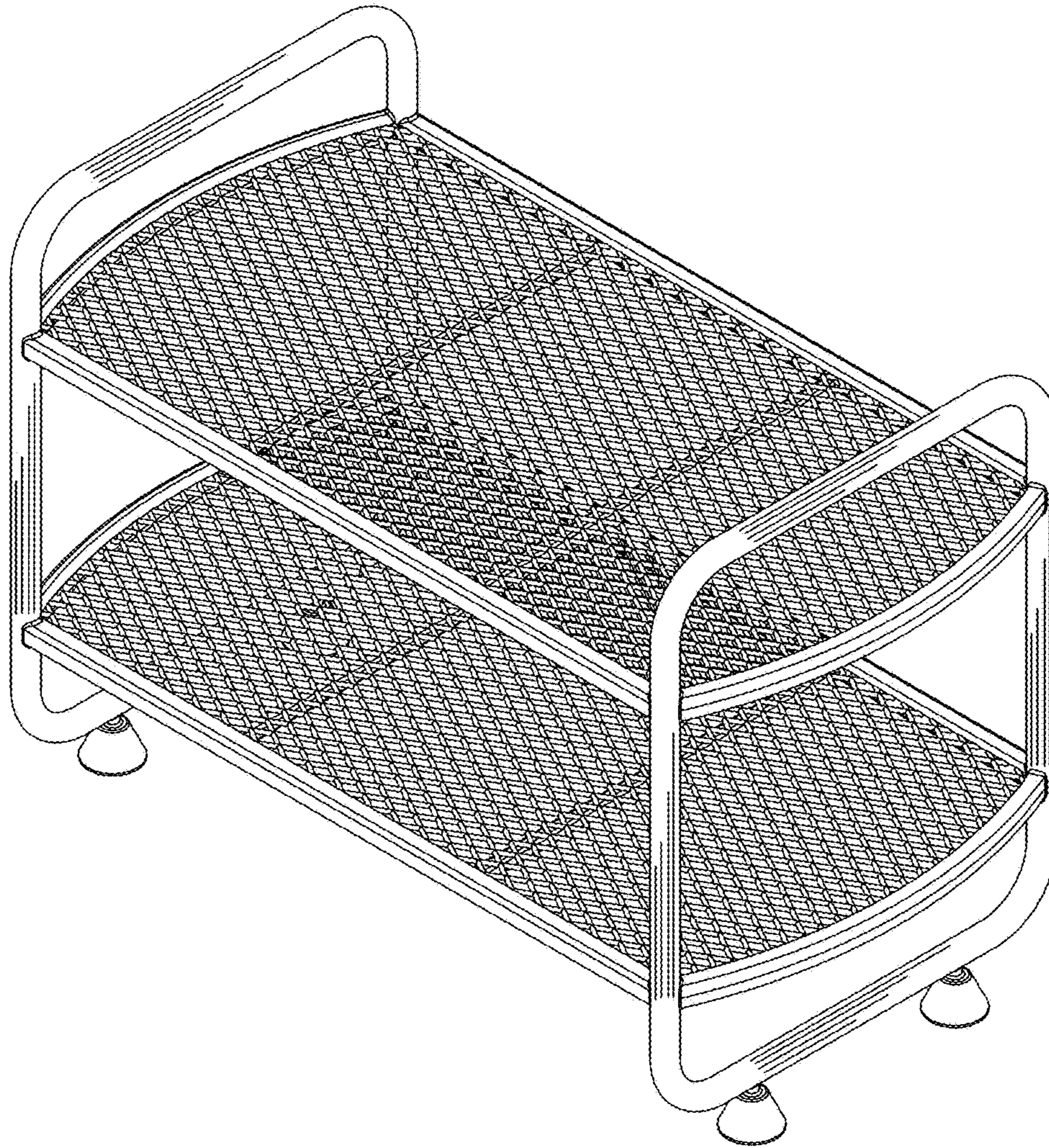


FIG. 7