



US00D801730S

(12) **United States Design Patent** (10) **Patent No.:** **US D801,730 S**
Johnson (45) **Date of Patent:** **** Nov. 7, 2017**

(54) **DISPLAY RACK**

(71) Applicant: **Forever 21, Inc.**, Los Angeles, CA (US)

(72) Inventor: **Bradley Packer Johnson**, Los Angeles, CA (US)

(73) Assignee: **Forever 21, Inc.**, Los Angeles, CA (US)

(**) Term: **15 Years**

(21) Appl. No.: **29/559,276**

(22) Filed: **Mar. 25, 2016**

(51) **LOC (10) Cl.** **20-02**

(52) **U.S. Cl.**
USPC **D6/675.1**

(58) **Field of Classification Search**
USPC D6/675-675.3, 677, 678, 680.2, 678.2
CPC A47F 5/0018; A47F 3/142
See application file for complete search history.

(56) **References Cited**

U.S. PATENT DOCUMENTS

D65,278 S *	7/1924	Kelly	D6/680.2
D213,343 S *	2/1969	Stulman	D6/407
D233,380 S *	10/1974	Hyman	D6/675.2
4,299,327 A	11/1981	Thauer		
D300,072 S *	2/1989	Price	D34/21
4,919,282 A	4/1990	Duff et al.		
D353,065 S *	12/1994	Greenlee	D6/552
D353,284 S *	12/1994	Greenwald	D6/657
5,607,068 A	3/1997	Coretti, Jr. et al.		
D394,360 S	5/1998	Geier et al.		
5,984,439 A *	11/1999	Orr	A47F 3/142 312/140.2
6,062,402 A	5/2000	Ford		

D520,265 S	5/2006	Sparkowski		
7,131,543 B2	11/2006	Mason		
7,159,726 B1	1/2007	Stenton		
D537,274 S *	2/2007	Pirro	D6/680
D566,989 S *	4/2008	Mason	D6/680.2
D573,369 S	7/2008	Sparkowski		
D655,533 S *	3/2012	Denby	D6/680
D739,669 S *	9/2015	Mason	D6/675.1
D761,599 S *	7/2016	Mason	D6/675.1
D783,321 S *	4/2017	Levy	D6/680.2
2014/0070504 A1	3/2014	Martin et al.		

* cited by examiner

Primary Examiner — John Windmuller

Assistant Examiner — Melvin L Davis

(74) *Attorney, Agent, or Firm* — Stetina Brunda Garred and Brucker

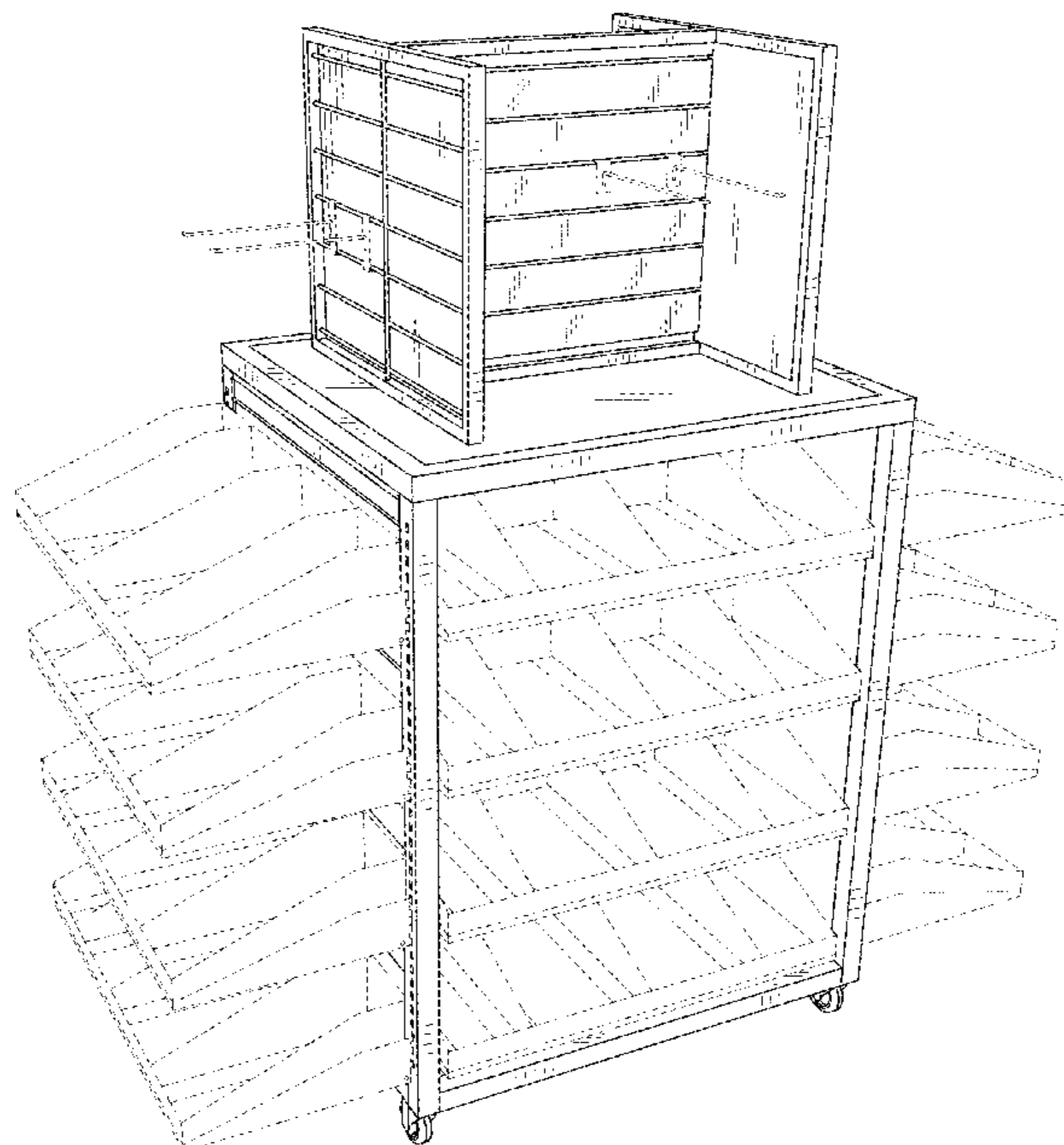
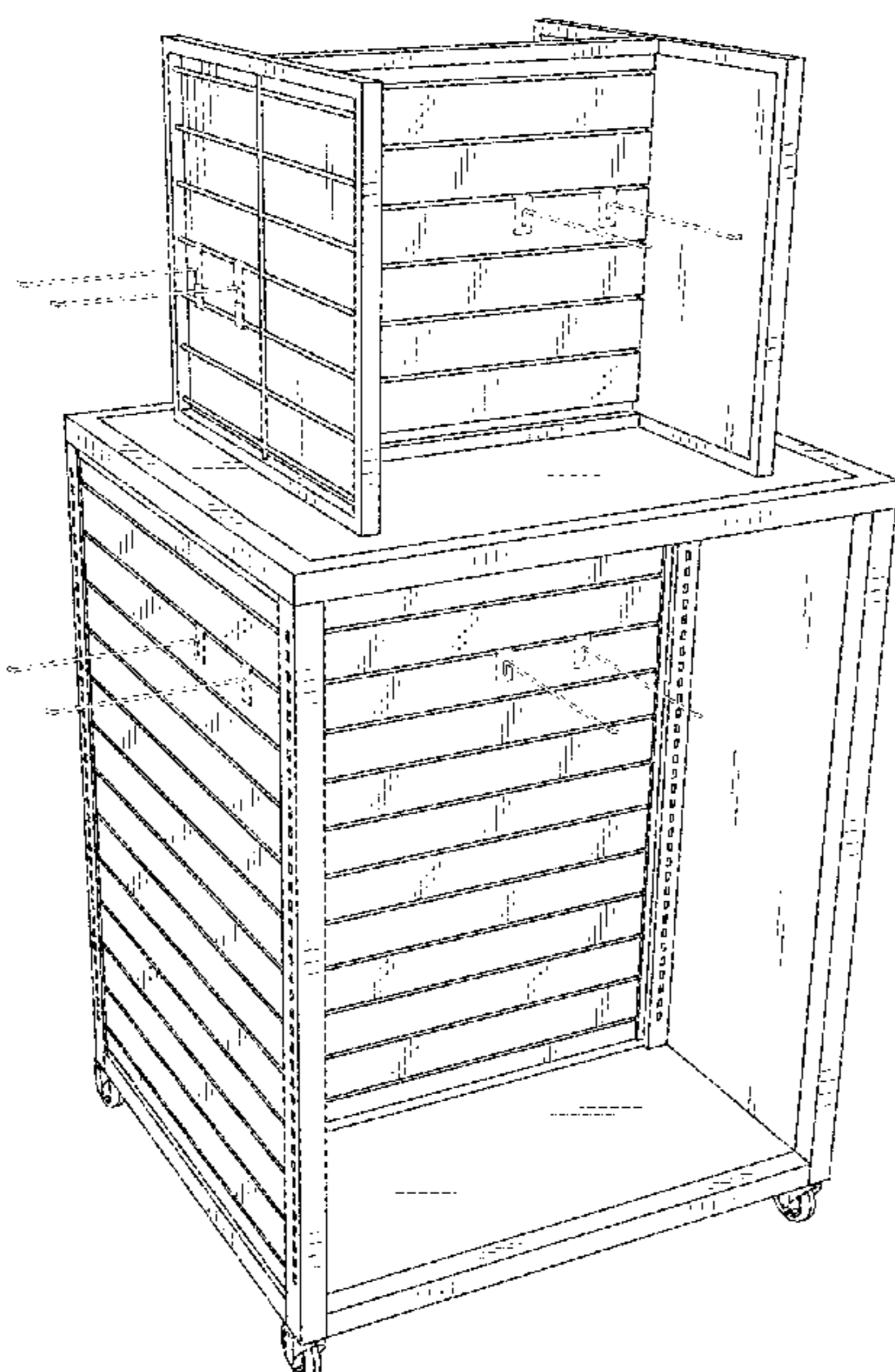
(57) **CLAIM**

The ornamental design for a display rack, as shown and described.

DESCRIPTION

FIG. 1 is a front perspective view of the invention with accessory fixtures;
 FIG. 2 is a front view of the invention with the shelving removed;
 FIG. 3 is a side view of the invention with the shelving removed;
 FIG. 4 is a top view of the invention with the shelving removed;
 FIG. 5 is a bottom view of the invention with the shelving removed; and,
 FIG. 6 is a front perspective view of the invention with shelving and accessory fixtures.
 The broken lines in the figures represent portions of the article that are not part of the claimed design.

1 Claim, 5 Drawing Sheets



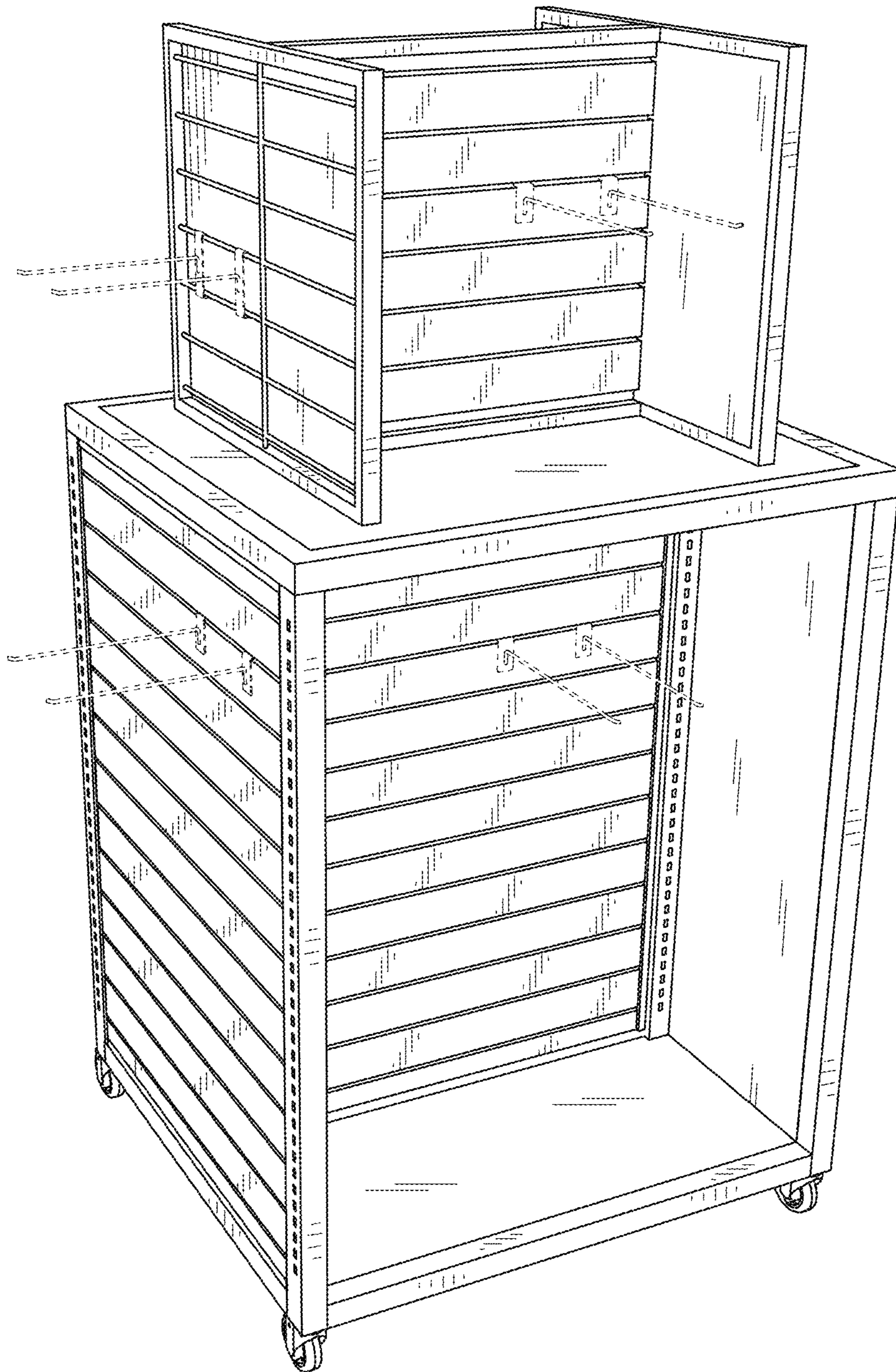


FIG. 1

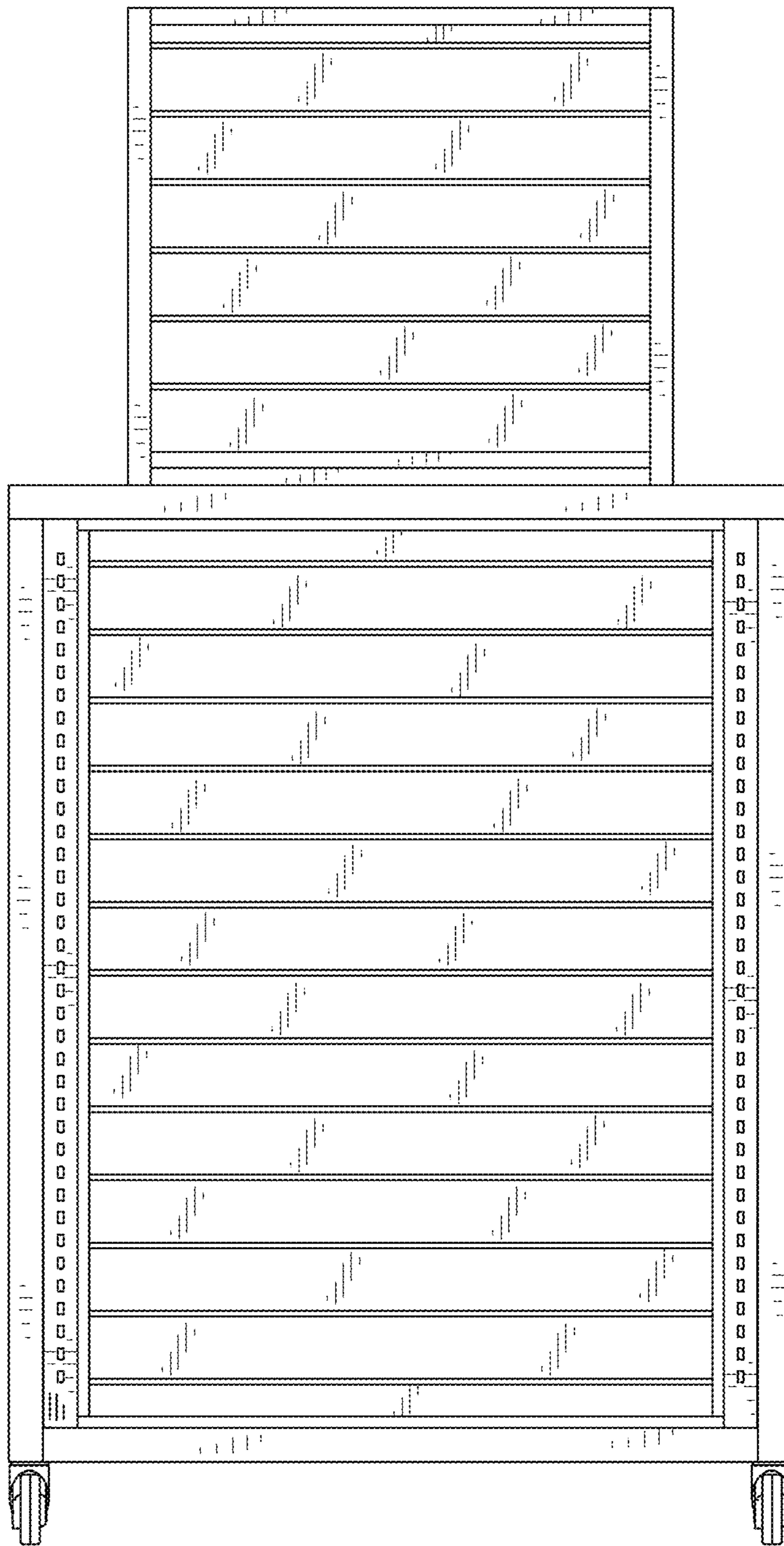


FIG. 2

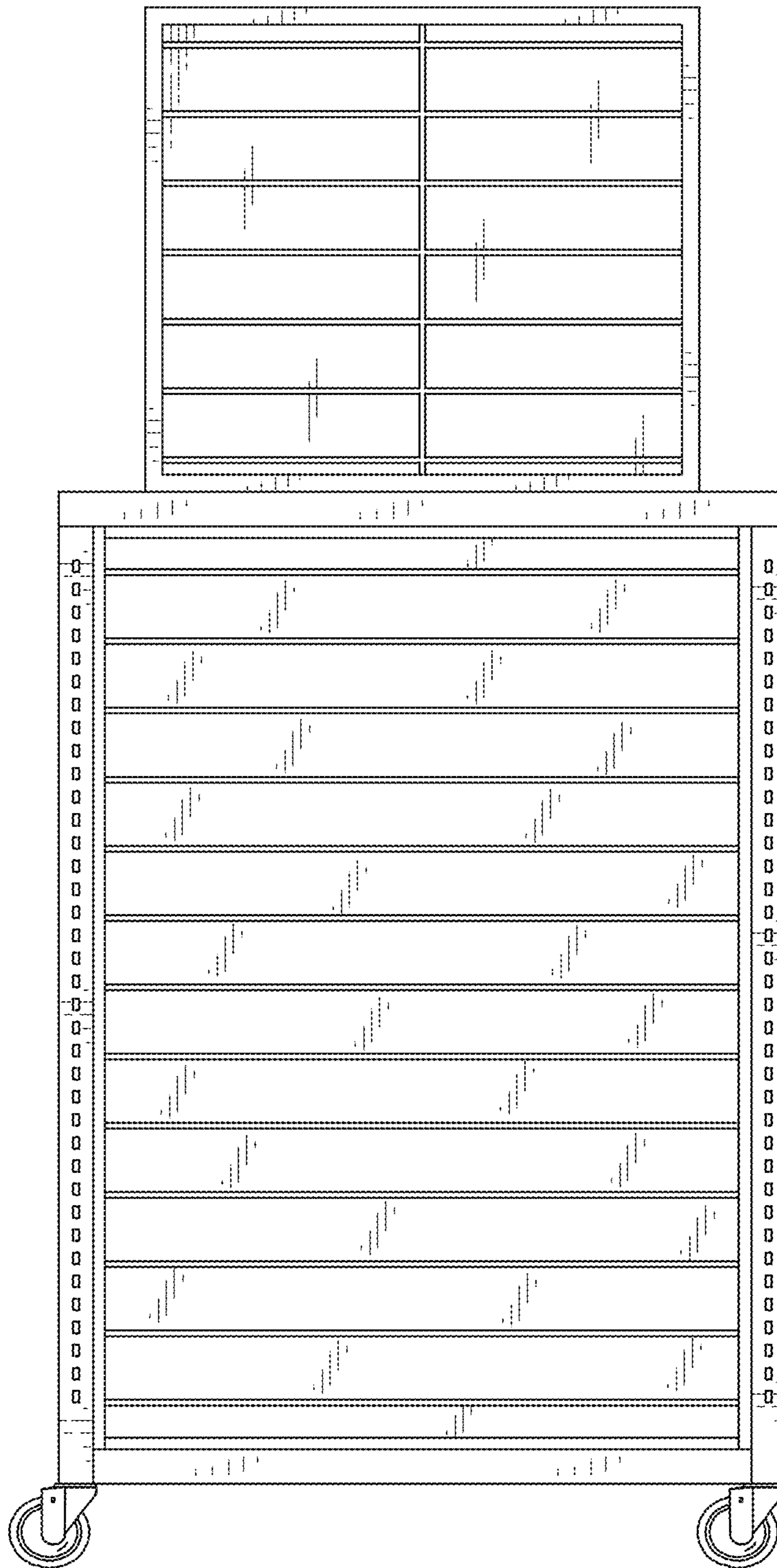


FIG. 3

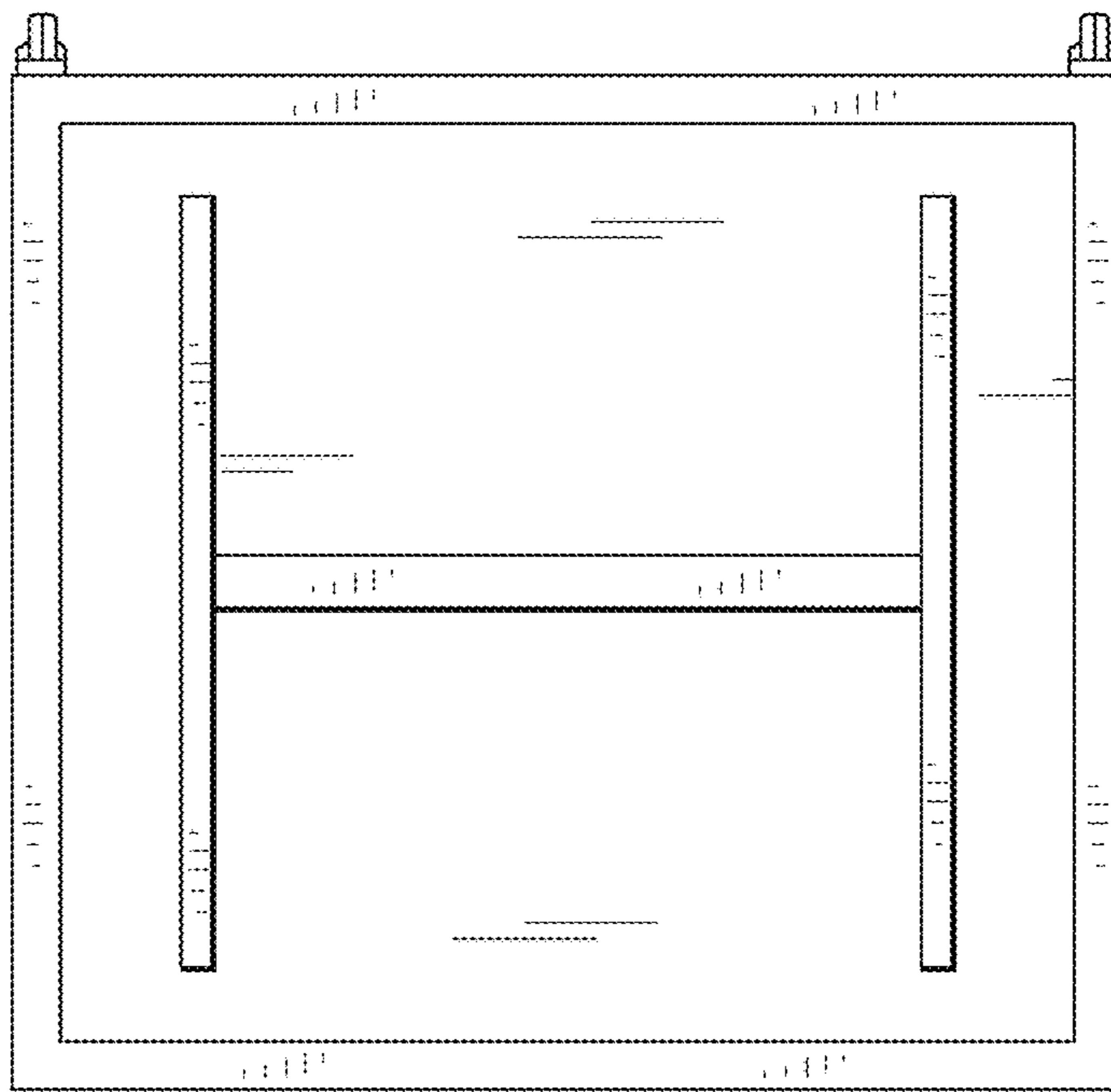


FIG. 4

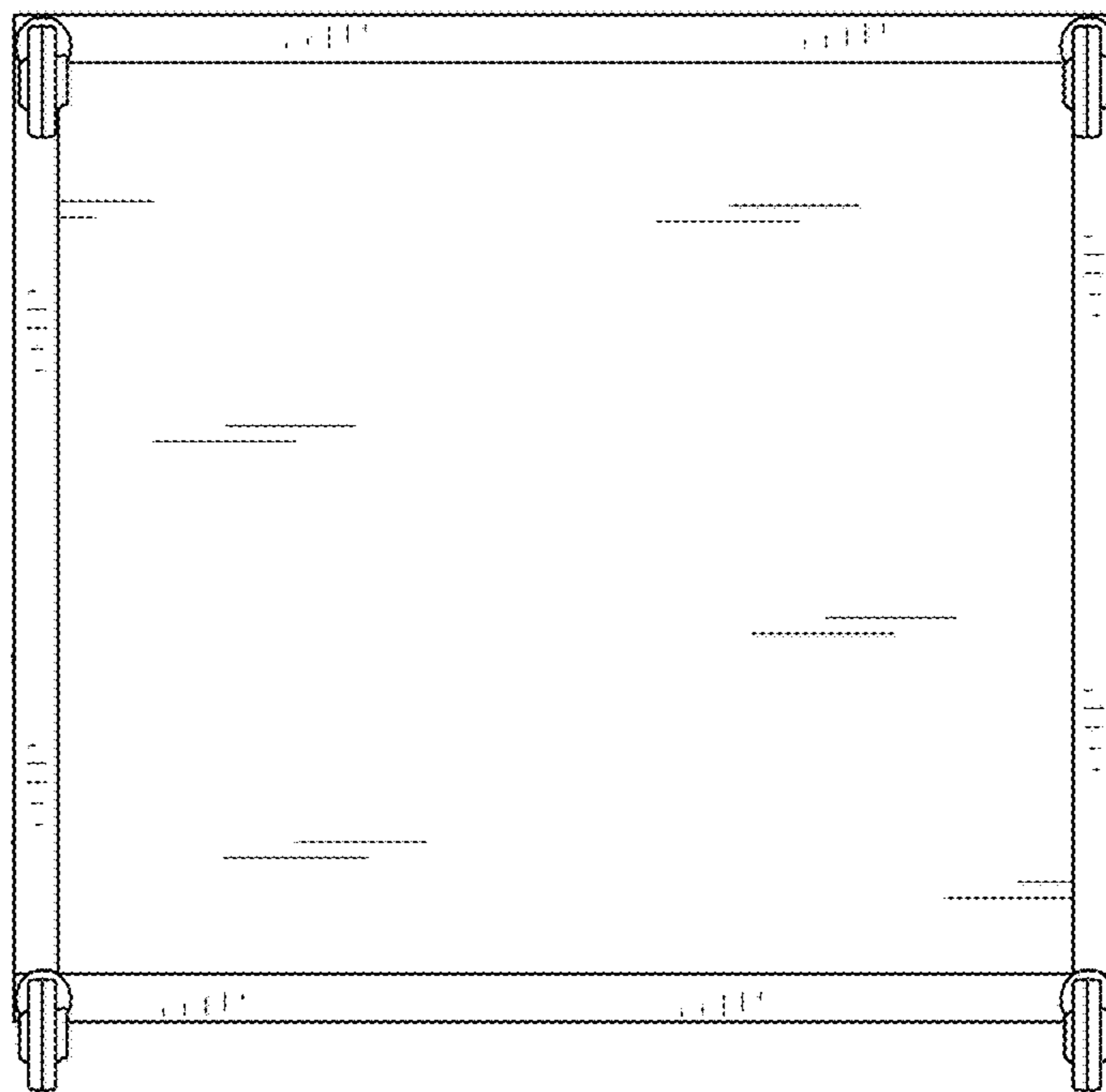


FIG. 5

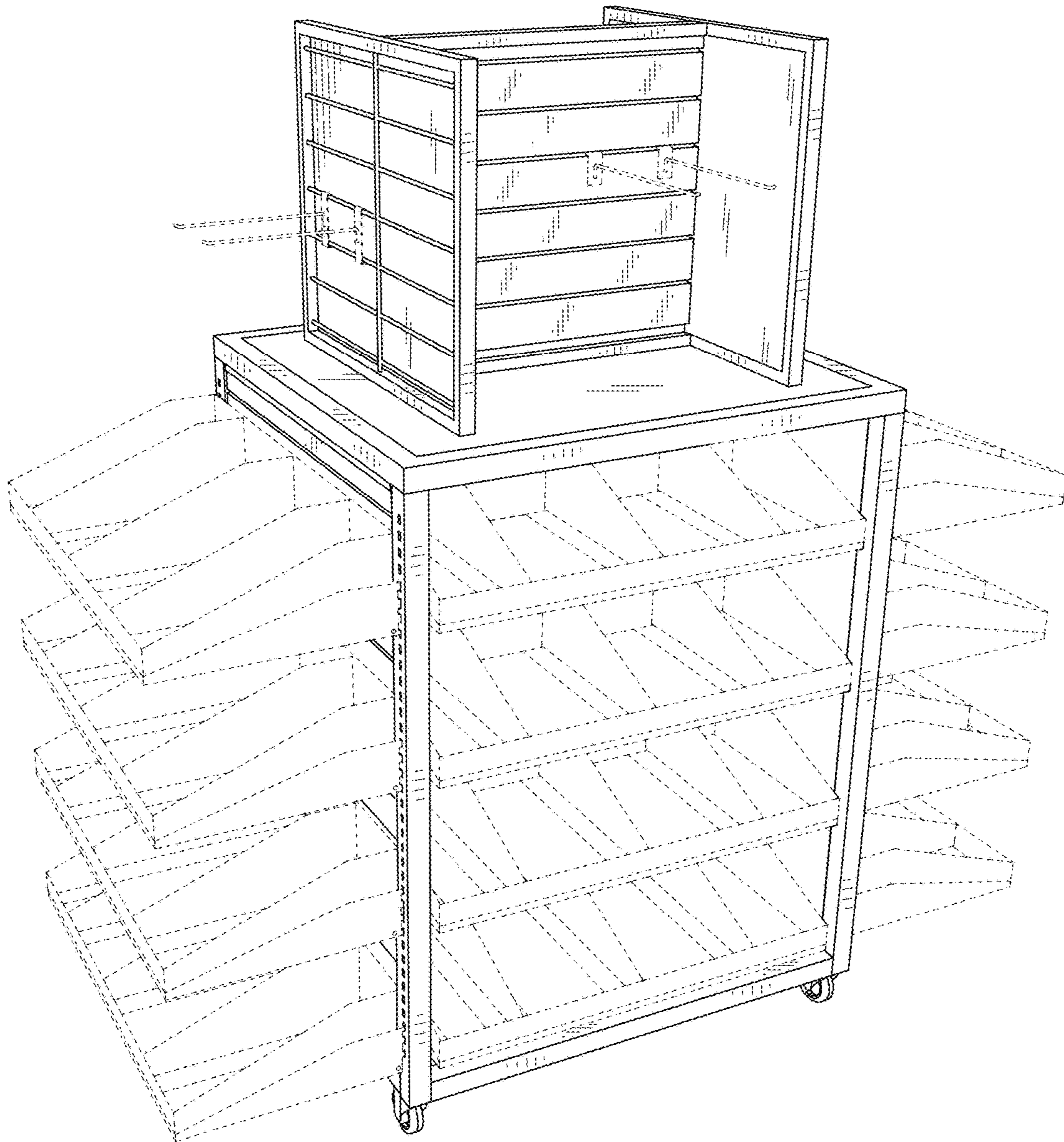


FIG. 6