



US00D801726S

(12) **United States Design Patent** (10) **Patent No.:** **US D801,726 S**  
**Atkins** (45) **Date of Patent:** **\*\* Nov. 7, 2017**

(54) **SPORTS BOARD STAND**

D655,549 S \* 3/2012 Allain ..... D6/552  
D679,123 S \* 4/2013 Evangelista ..... D6/552

(71) Applicant: **GHOST RACKS PTY LTD**, Main Beach, Queensland (AU)

\* cited by examiner

(72) Inventor: **Shane Atkins**, Main Beach (AU)

*Primary Examiner* — Wan Laymon  
*Assistant Examiner* — Mark Booker

(73) Assignee: **GHOST RACKS PTY LTD**, Main Beach, Queensland (AU)

(74) *Attorney, Agent, or Firm* — Kirton McConkie; Evan R. Witt

(\*\*) Term: **15 Years**

(21) Appl. No.: **29/572,527**

(57) **CLAIM**

(22) Filed: **Jul. 28, 2016**

The ornamental design for a sports board stand, as shown and described.

(30) **Foreign Application Priority Data**

Mar. 14, 2016 (AU) ..... 201611397

(51) **LOC (10) Cl.** ..... **08-08**

(52) **U.S. Cl.**  
USPC ..... **D6/552**

**DESCRIPTION**

(58) **Field of Classification Search**  
USPC ..... D6/552; D8/373; D21/221, 223, 686;  
211/13.1, 85.7, 59.1, 87.01; 248/121,  
248/126, 127, 176.1, 351  
CPC .. B60R 9/045; B60R 9/04; B60R 9/08; B60R  
9/12; B60P 3/1008; B63B 3/42; A47B  
47/024; A47B 57/045  
See application file for complete search history.

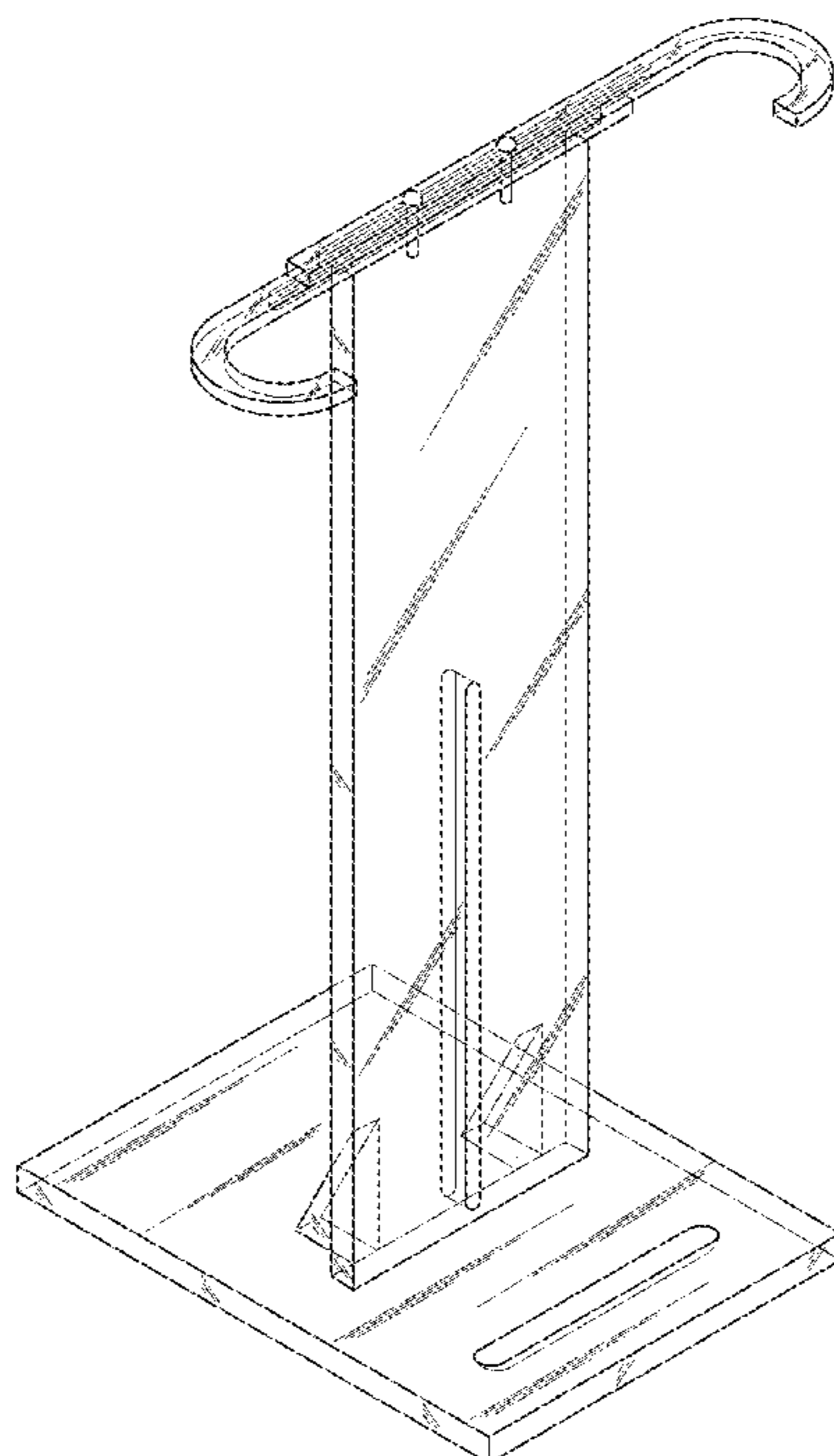
FIG. 1 is a perspective view of a sports board stand showing my new design;  
FIG. 2 is a front view thereof;  
FIG. 3 is a rear view thereof;  
FIG. 4 is a top view thereof;  
FIG. 5 is a bottom view thereof;  
FIG. 6 is a left side view thereof;  
FIG. 7 is a right side view thereof; and,  
FIG. 8 is a perspective view of the sports board stand in use holding a sports board shown in broken lines.  
The broken lines are for illustrating environment and form no part of the claimed design. The sports board stand is fabricated of transparent material.

(56) **References Cited**

**U.S. PATENT DOCUMENTS**

6,390,309 B1 \* 5/2002 Tucker ..... A47B 81/00  
211/103  
D588,851 S \* 3/2009 Morales ..... D6/552

**1 Claim, 8 Drawing Sheets**



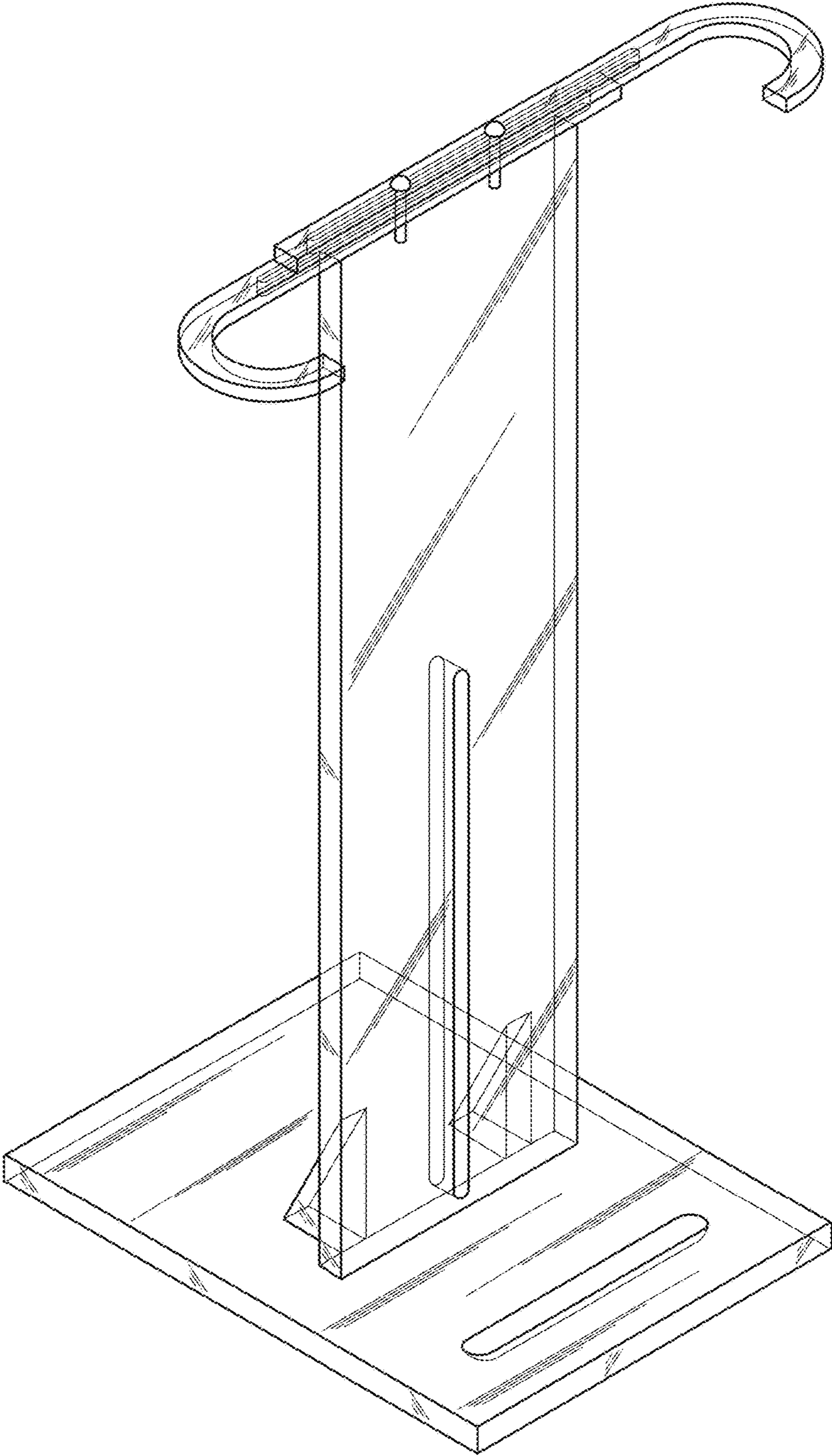


FIG. 1

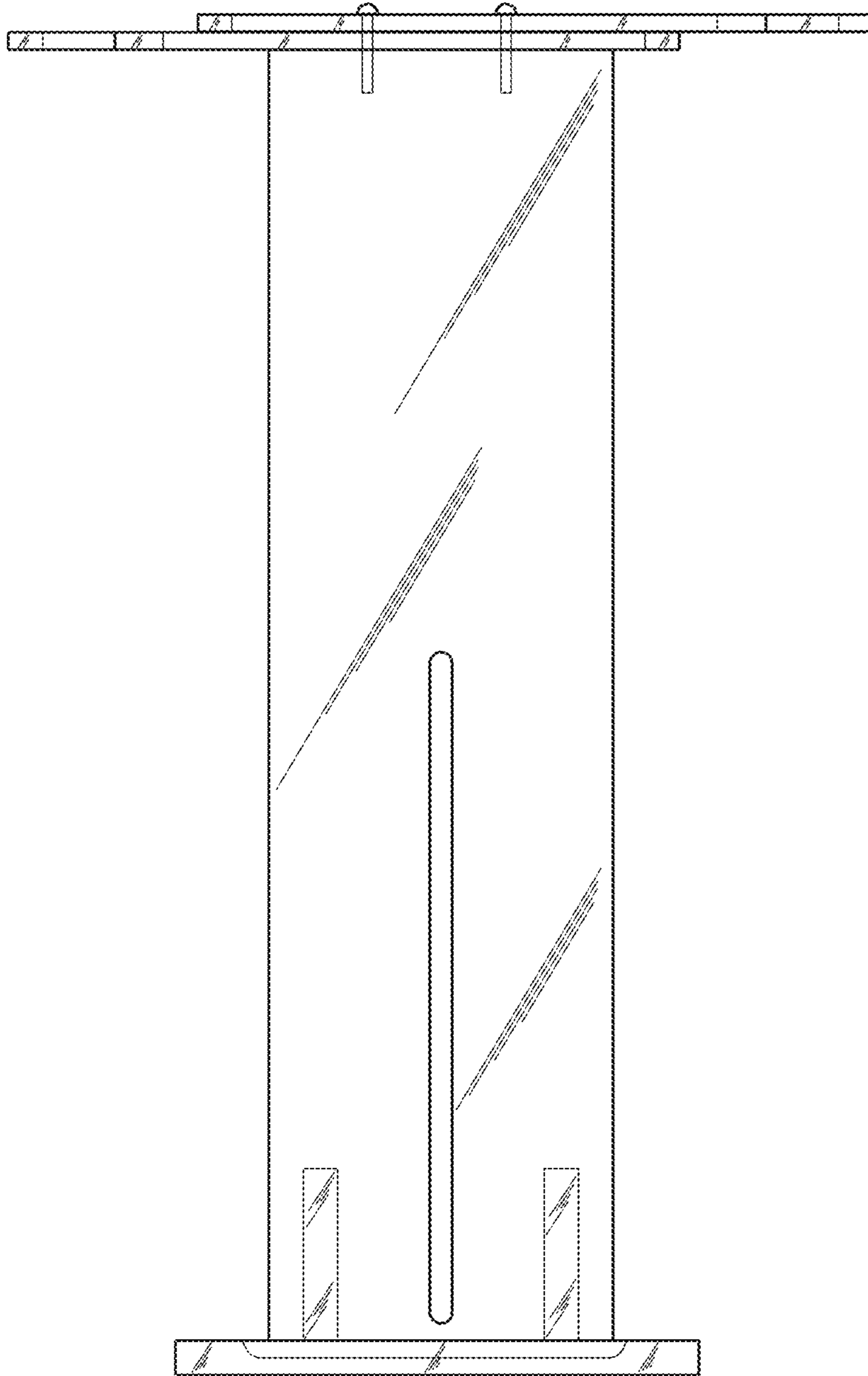


FIG. 2

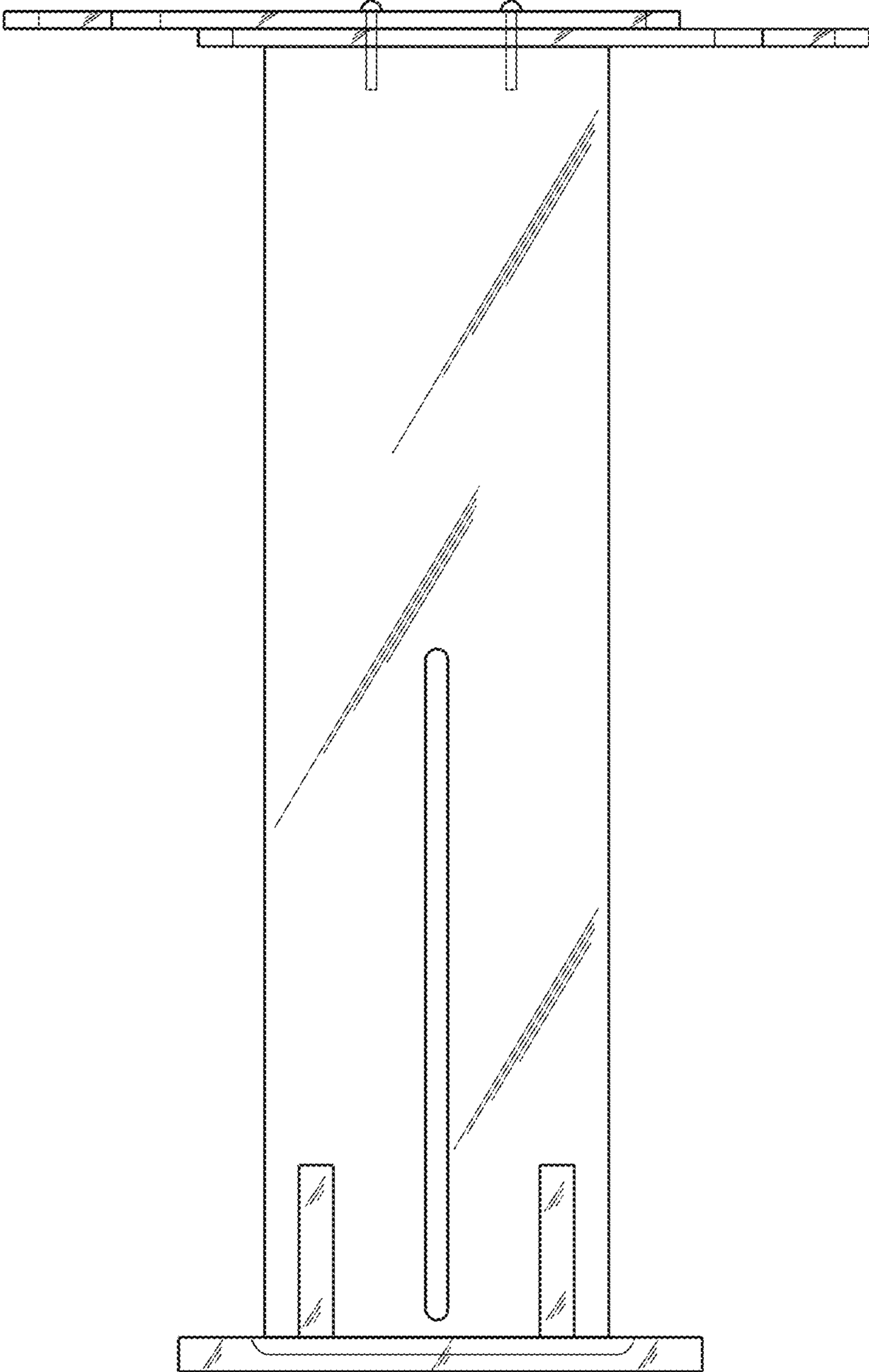


FIG. 3

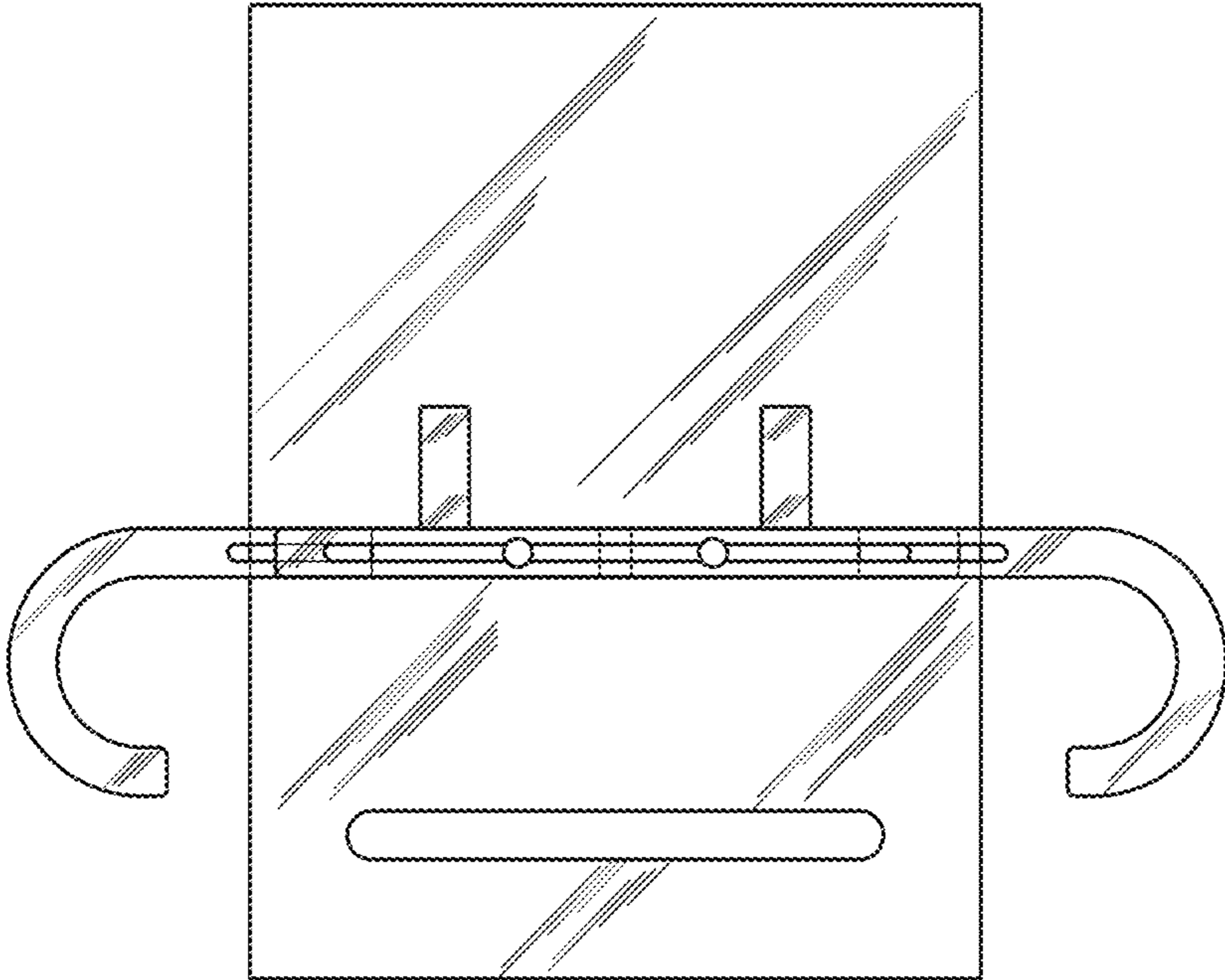


FIG. 4

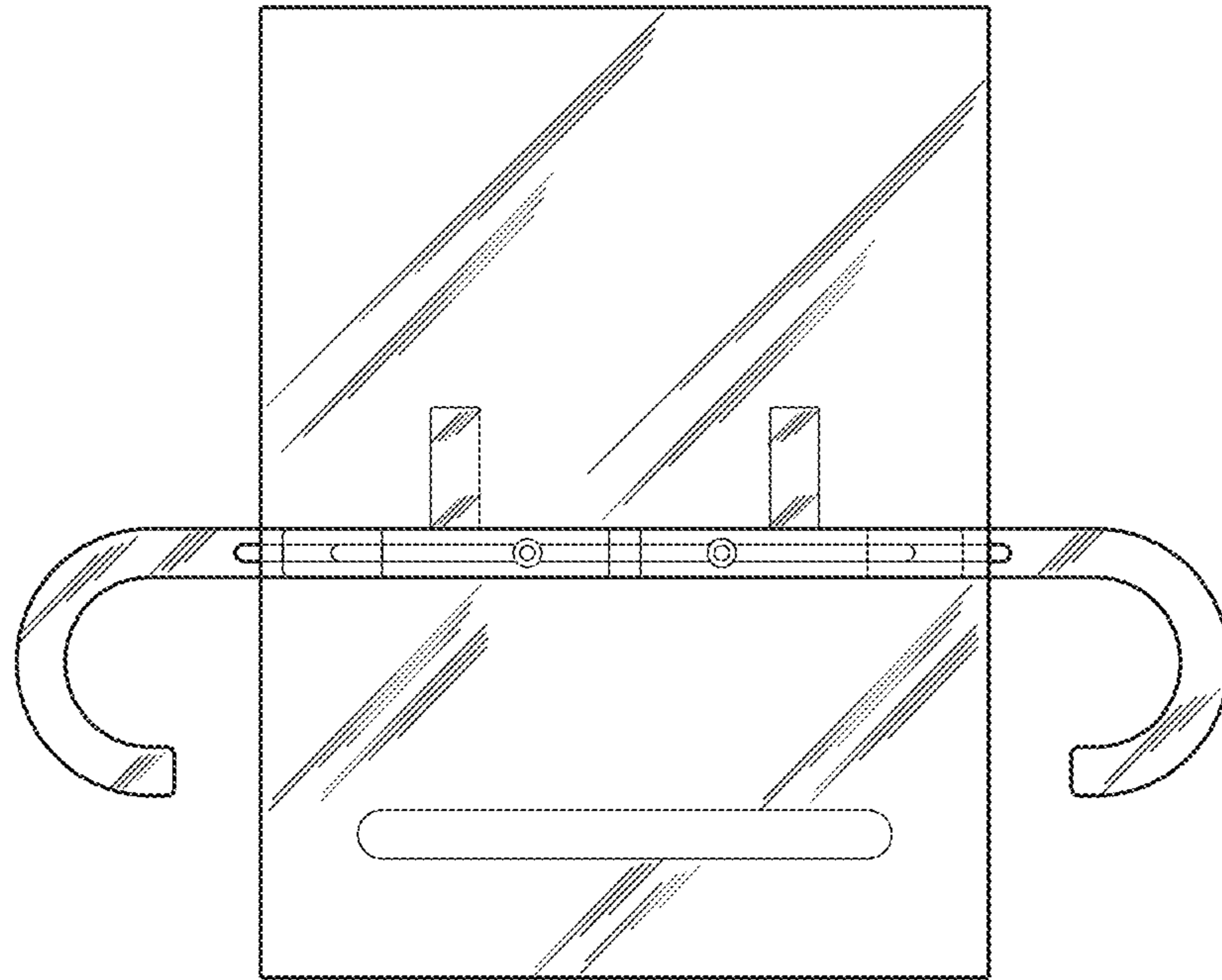


FIG. 5

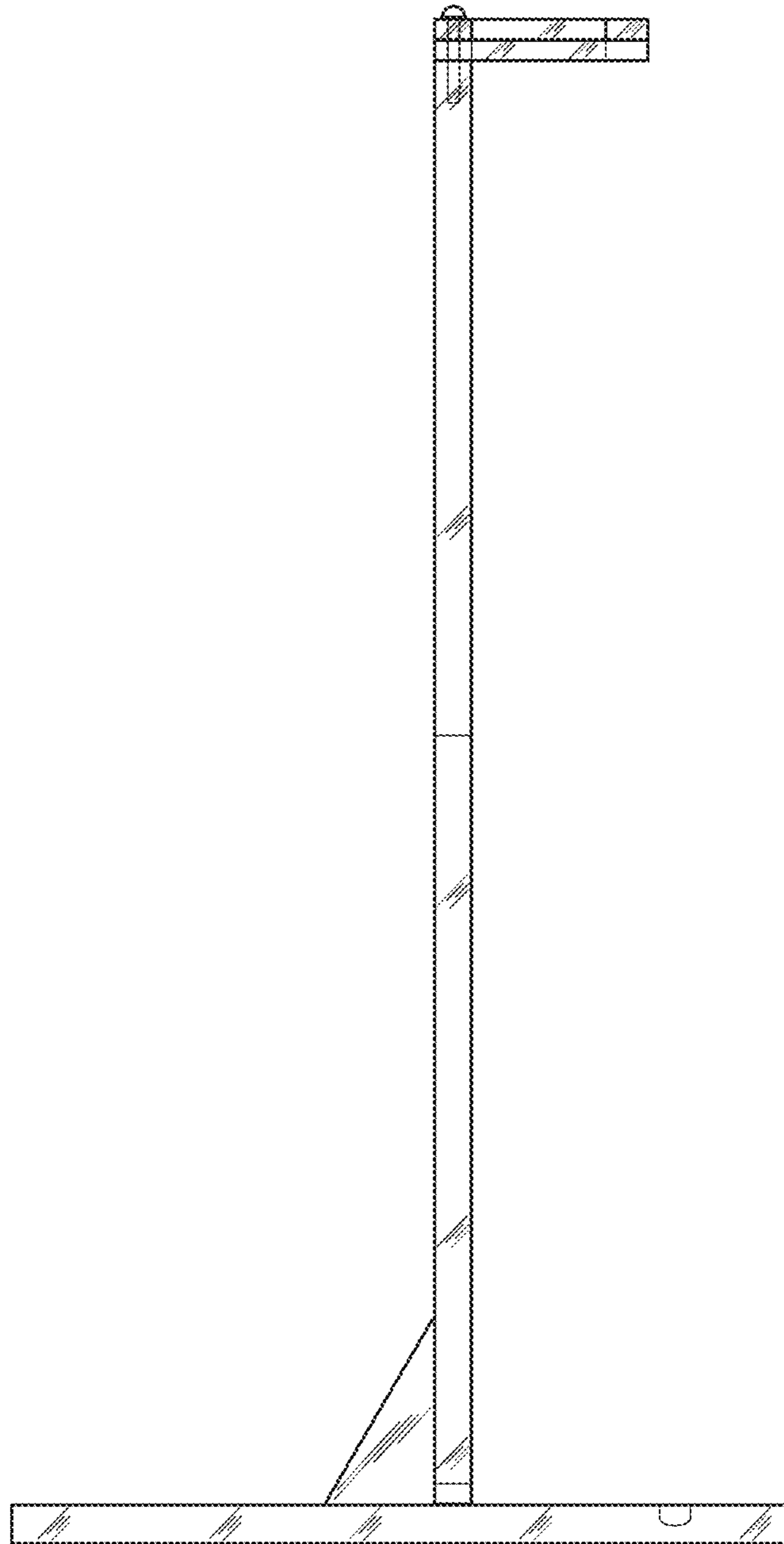


FIG. 6

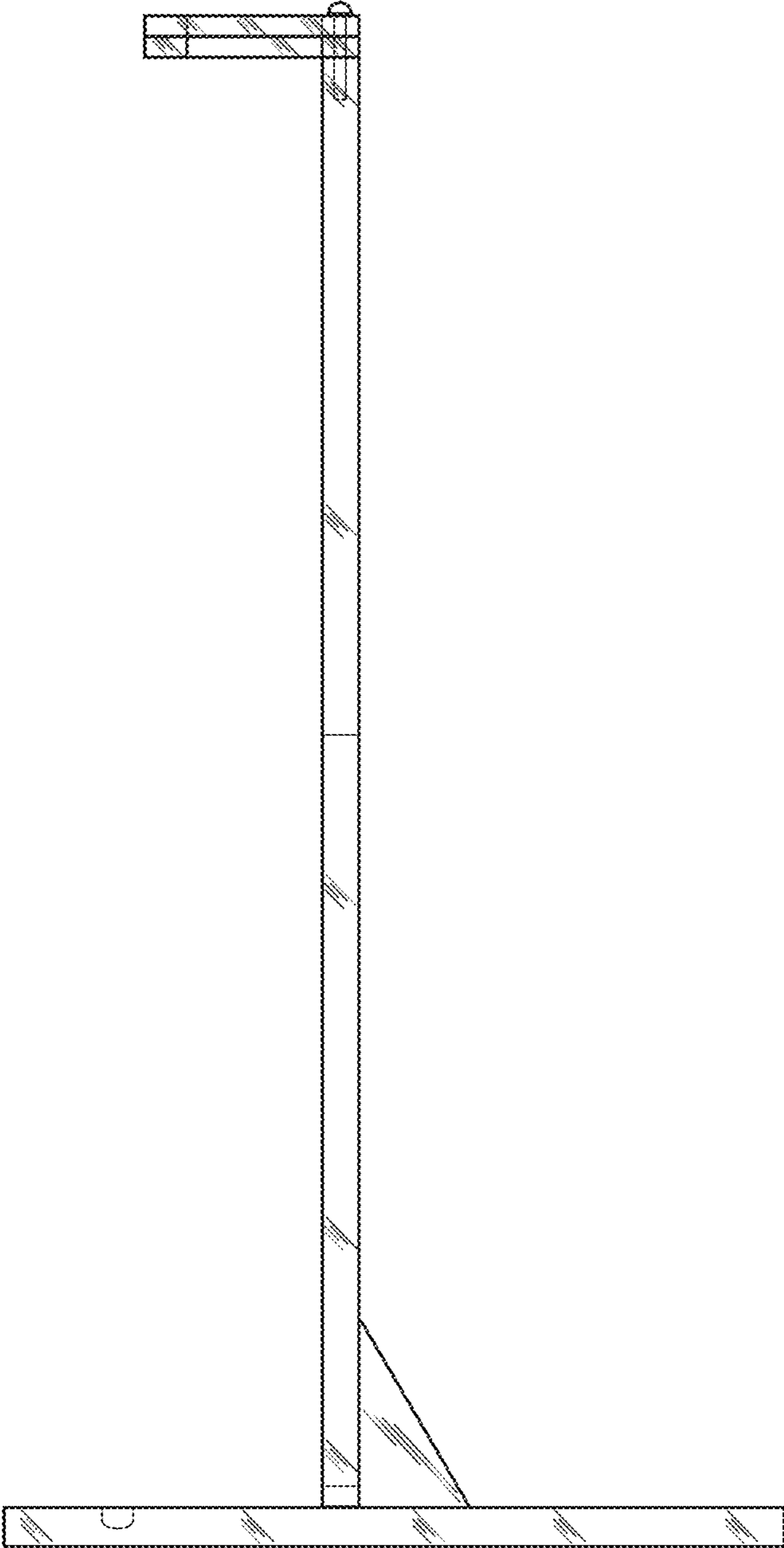


FIG. 7



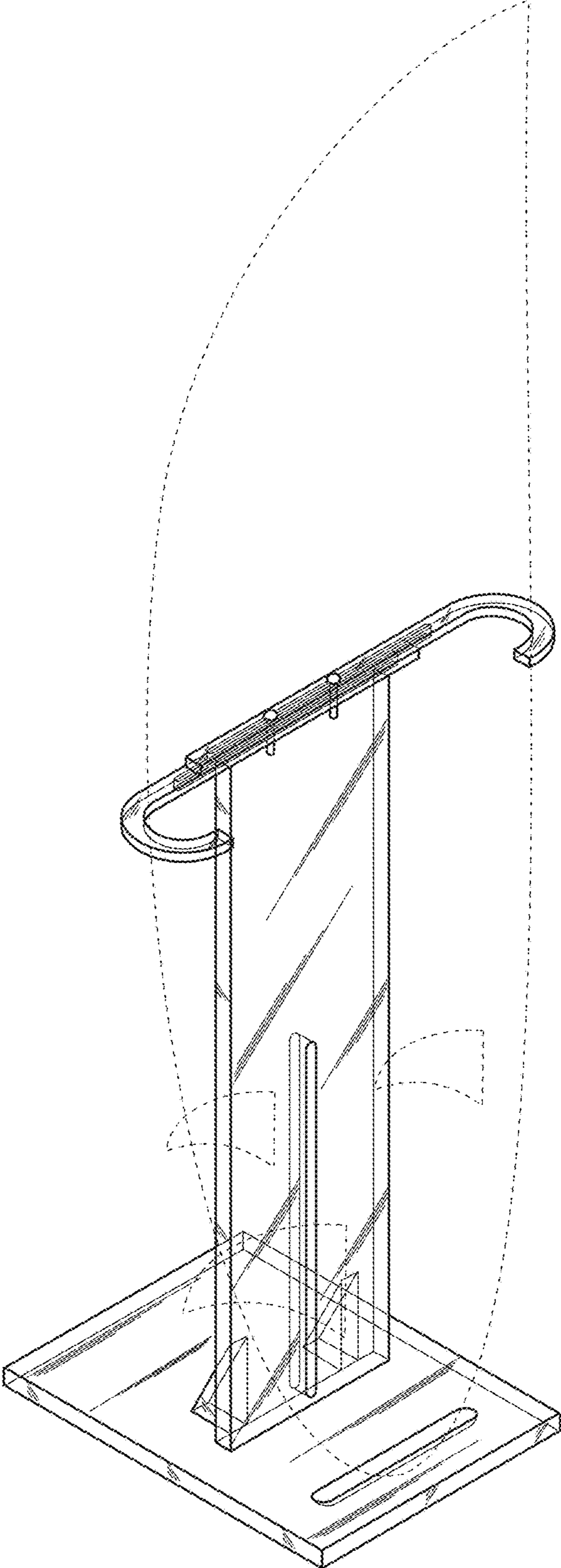


FIG. 8