



US00D801725S

(12) **United States Design Patent** (10) **Patent No.:** **US D801,725 S**
Atkins (45) **Date of Patent:** **** Nov. 7, 2017**

(54) **SET OF SPORTS BOARD RACKS**
 (71) Applicant: **GHOST RACKS PTY LTD**, Main Beach, Queensland (AU)
 (72) Inventor: **Shane Atkins**, Main Beach (AU)
 (73) Assignee: **GHOST RACKS PTY LTD**, Main Beach, Queensland (AU)
 (**) Term: **15 Years**
 (21) Appl. No.: **29/572,524**
 (22) Filed: **Jul. 28, 2016**

(30) **Foreign Application Priority Data**
 Mar. 14, 2016 (AU) 201611396
 (51) **LOC (10) Cl.** **08-08**
 (52) **U.S. Cl.**
 USPC **D6/552**
 (58) **Field of Classification Search**
 USPC D6/552, 323, 324, 327, 328, 512, 513, D6/545, 549, 550, 553; D8/349, 354, D8/373, 380, 381, 402, 403; D12/223, D12/406, 412; 211/13, 42; 248/200, 248/220.1, 300, 235, 237
 CPC .. B60R 9/045; B60R 9/04; B60R 9/08; B60R 9/12; B60P 3/1008; B63B 3/42; A47B 47/024; A47B 57/045
 See application file for complete search history.

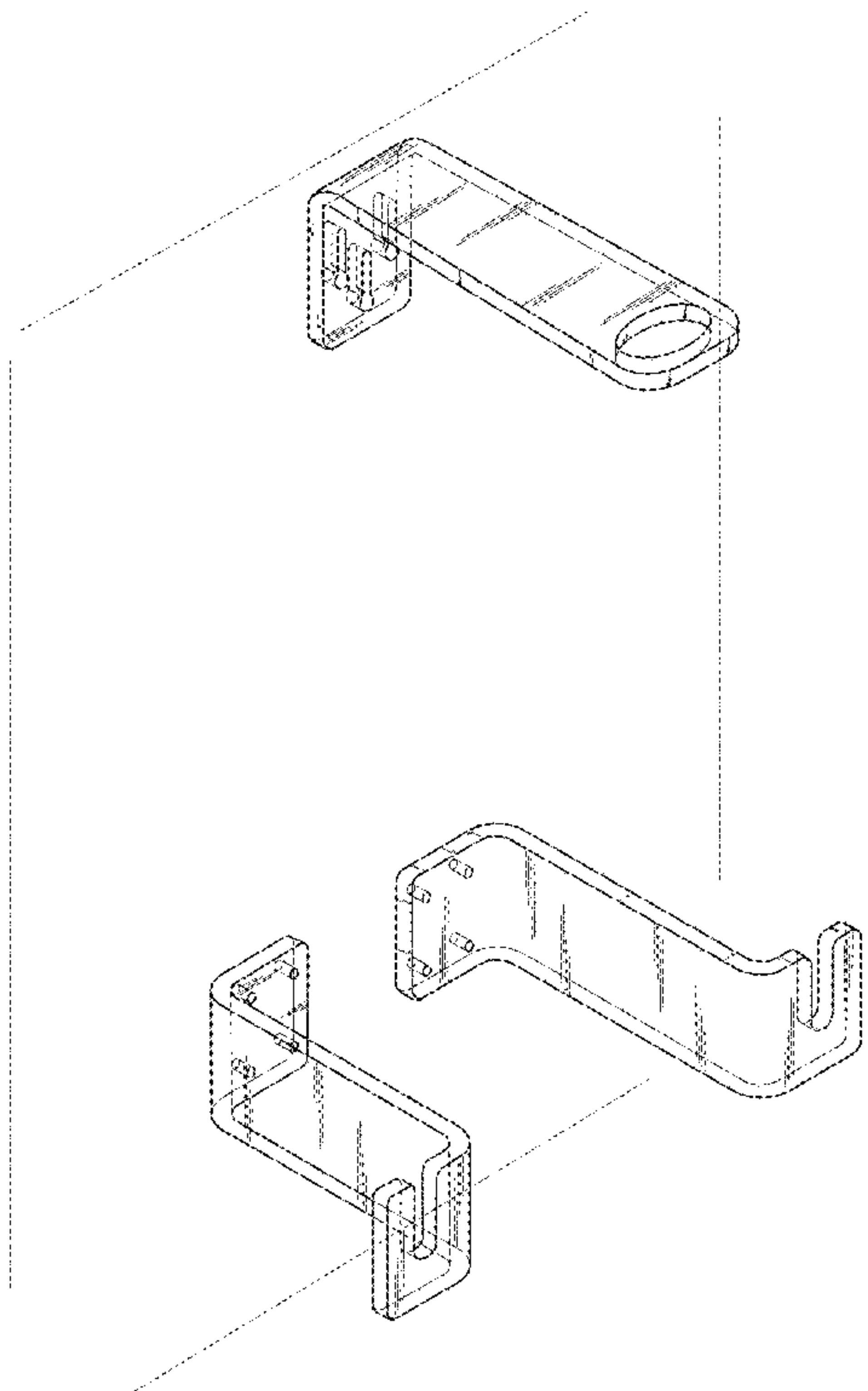
(56) **References Cited**
 U.S. PATENT DOCUMENTS
 D356,002 S * 3/1995 Morgan D6/552
 D655,549 S * 3/2012 Allain D6/552
 D786,582 S * 5/2017 Schumacher D6/552

* cited by examiner
Primary Examiner — Wan Laymon
Assistant Examiner — Mark Booker
 (74) *Attorney, Agent, or Firm* — Kirton McConkie; Evan R. Witt

(57) **CLAIM**
 The ornamental design for a set of sports racks, as shown and described.

DESCRIPTION
 FIG. 1 is a perspective view of a set of sports racks showing my new design;
 FIG. 2 is a front view thereof;
 FIG. 3 is a rear view thereof;
 FIG. 4 is a left side view thereof;
 FIG. 5 is a right side view thereof;
 FIG. 6 is a top view thereof;
 FIG. 7 is a bottom view thereof; and,
 FIG. 8 is a perspective view of the set of sports racks in use holding a sports board shown in broken lines.
 The broken lines are for illustrating environment and form no part of the claimed design. The set of sports racks is fabricated of transparent material.

1 Claim, 8 Drawing Sheets



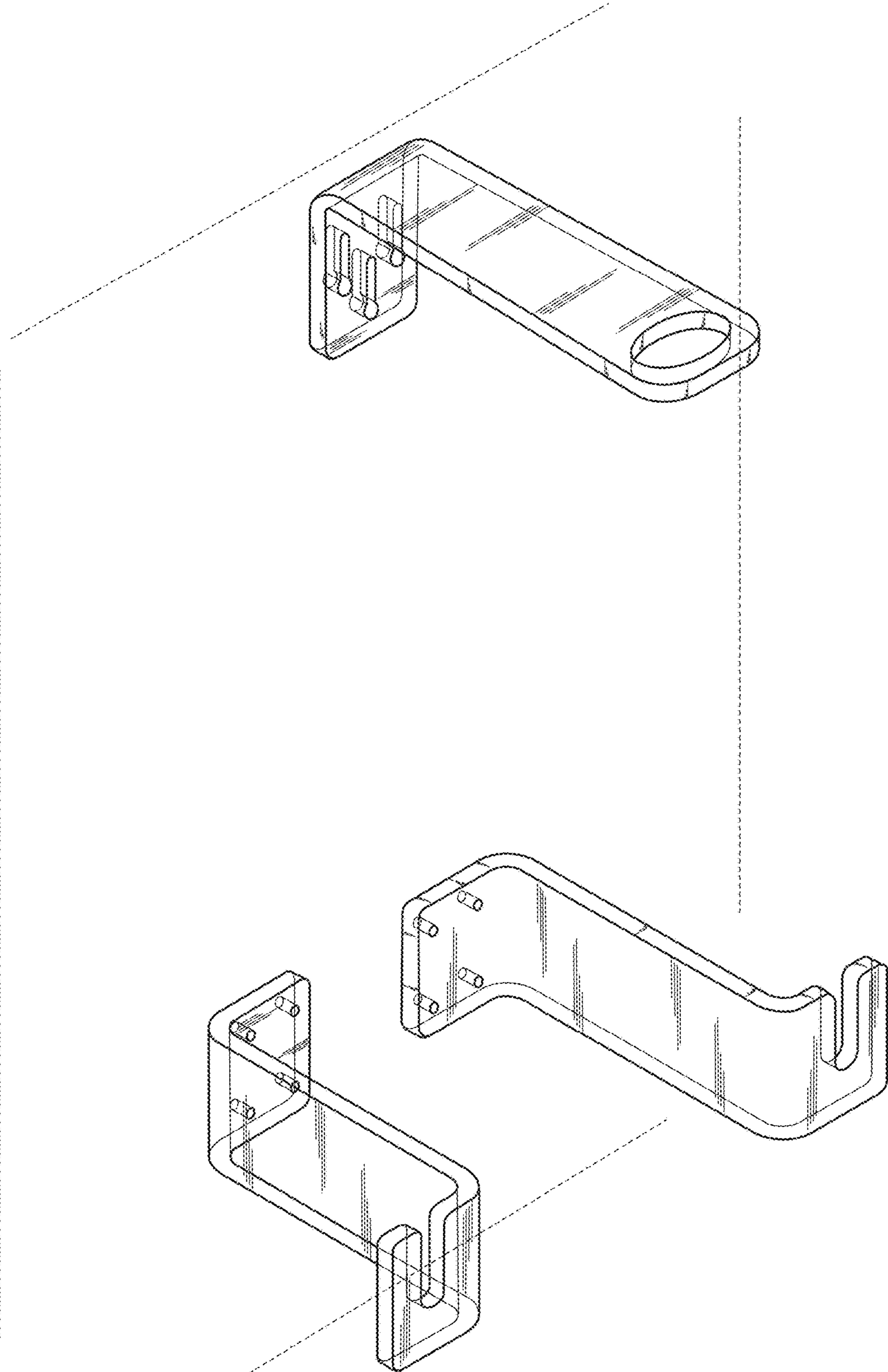


FIG. 1

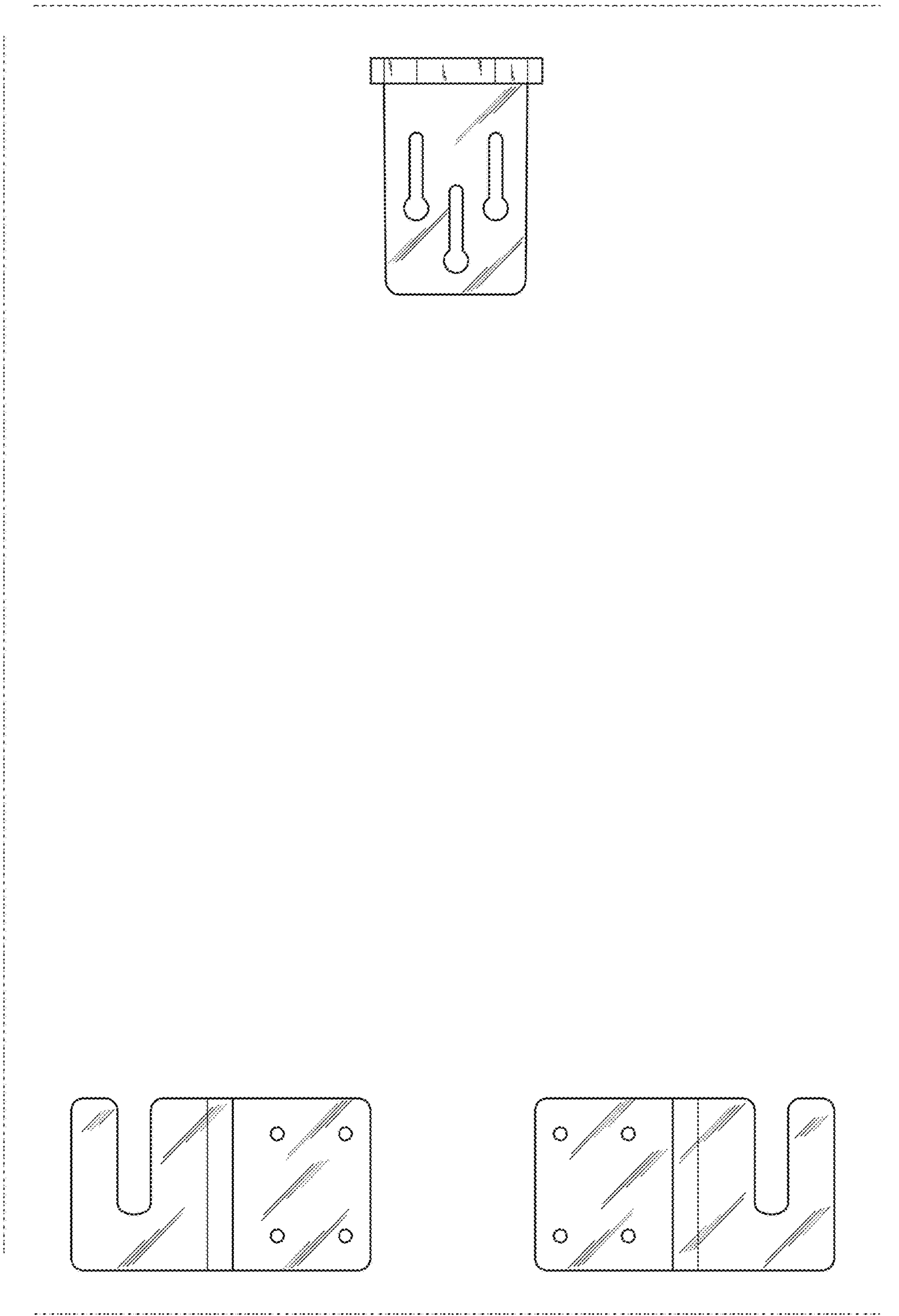


FIG. 2

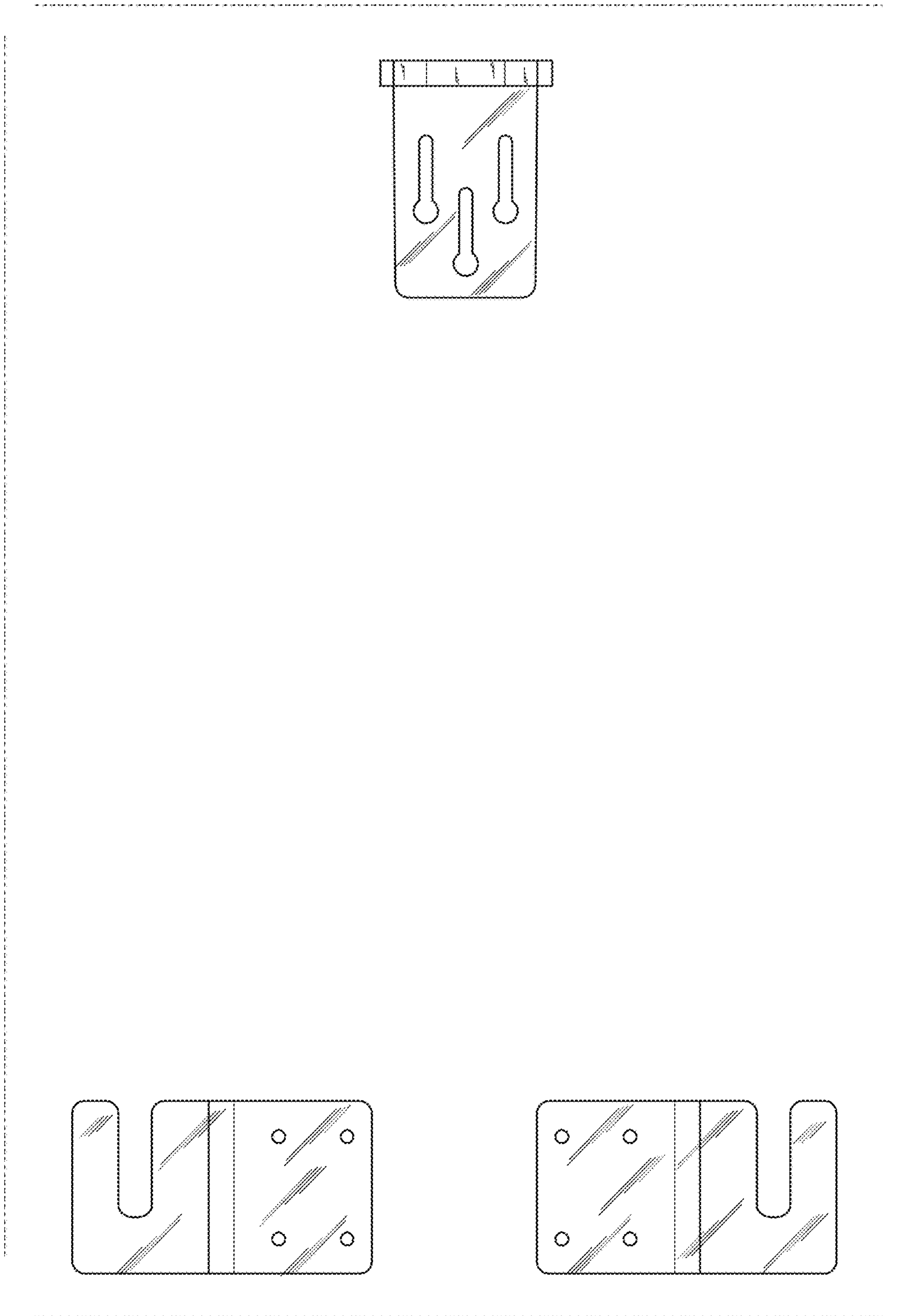


FIG. 3



FIG. 4



FIG. 5

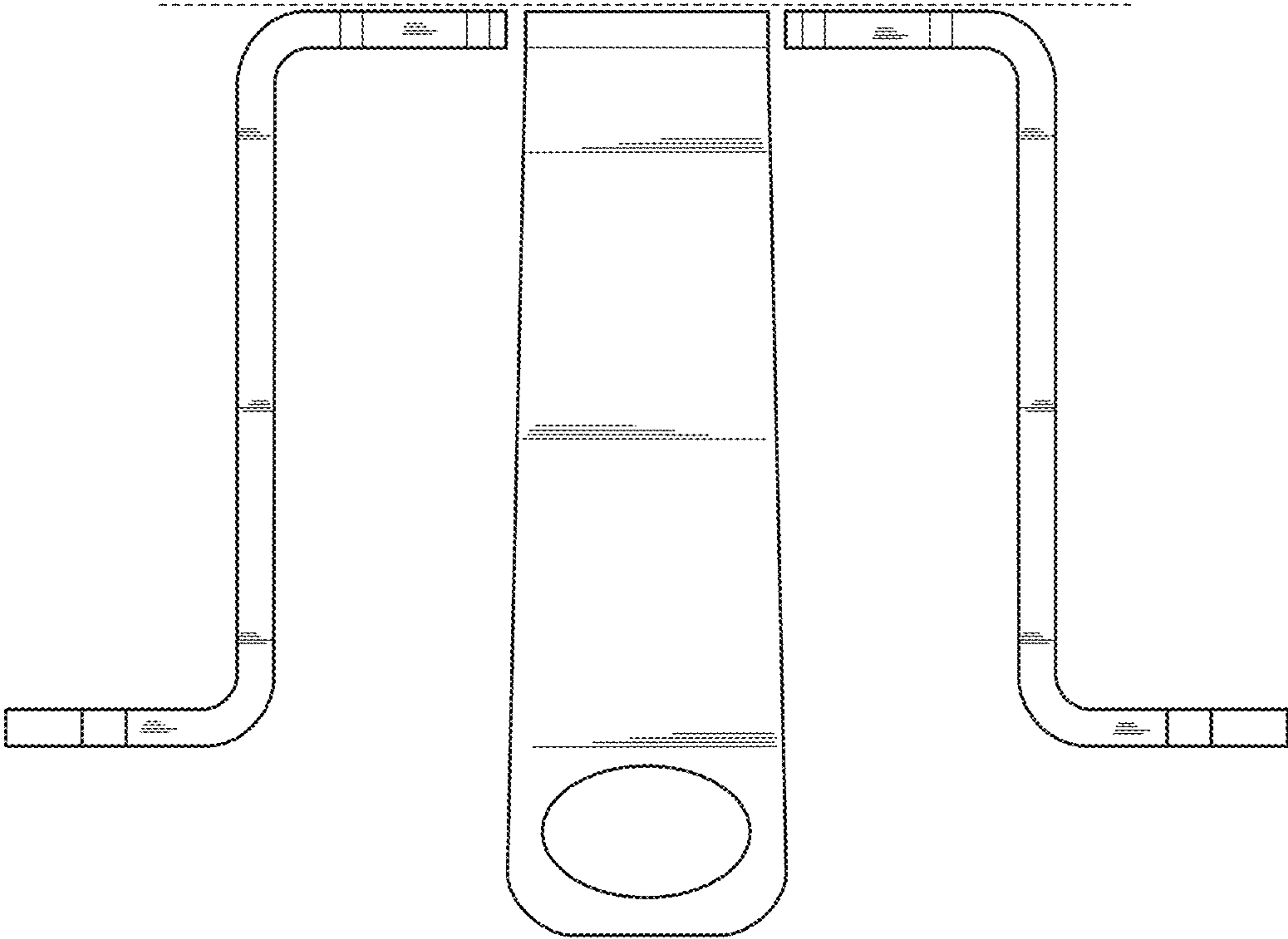


FIG. 6

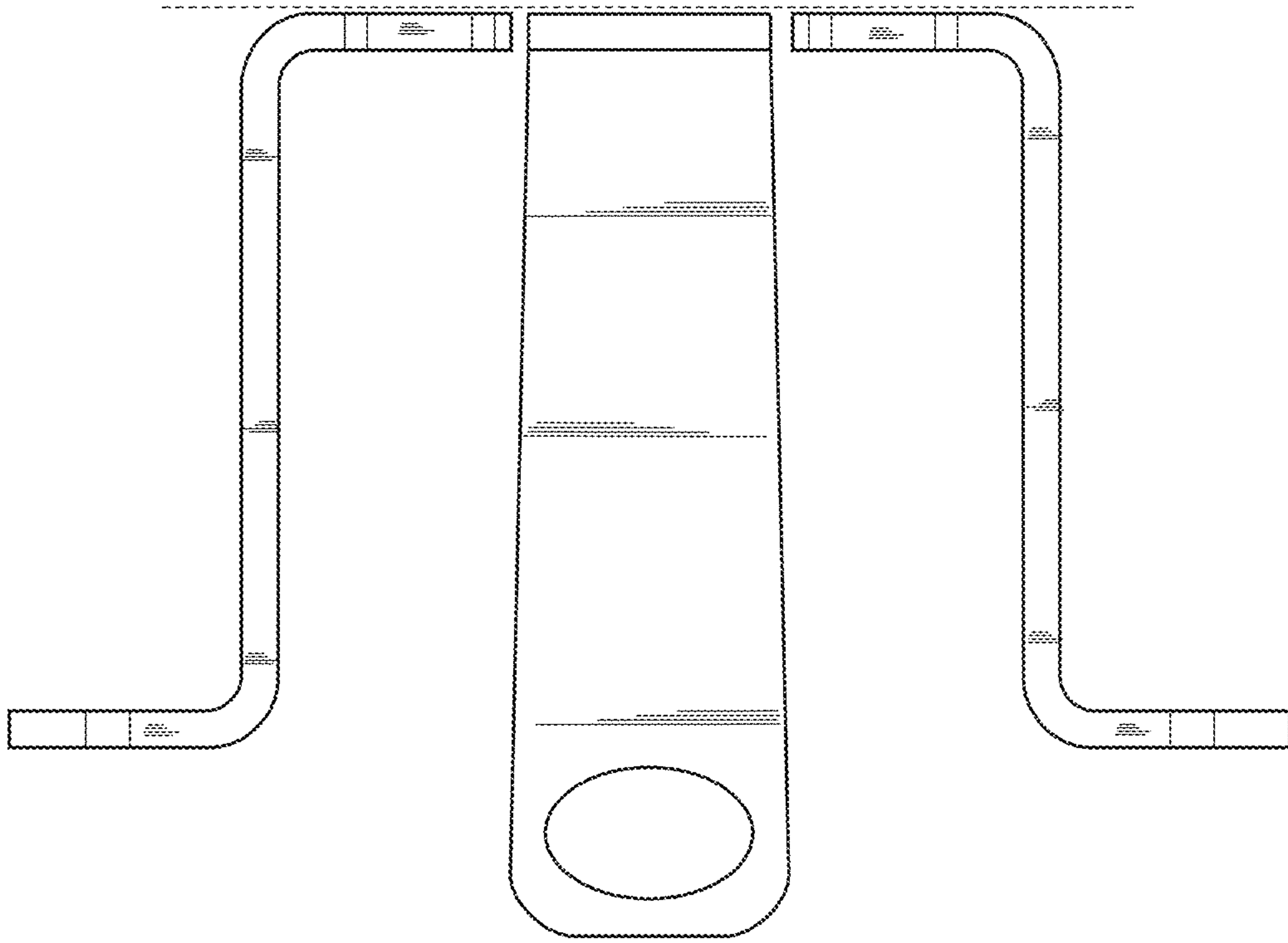


FIG. 7

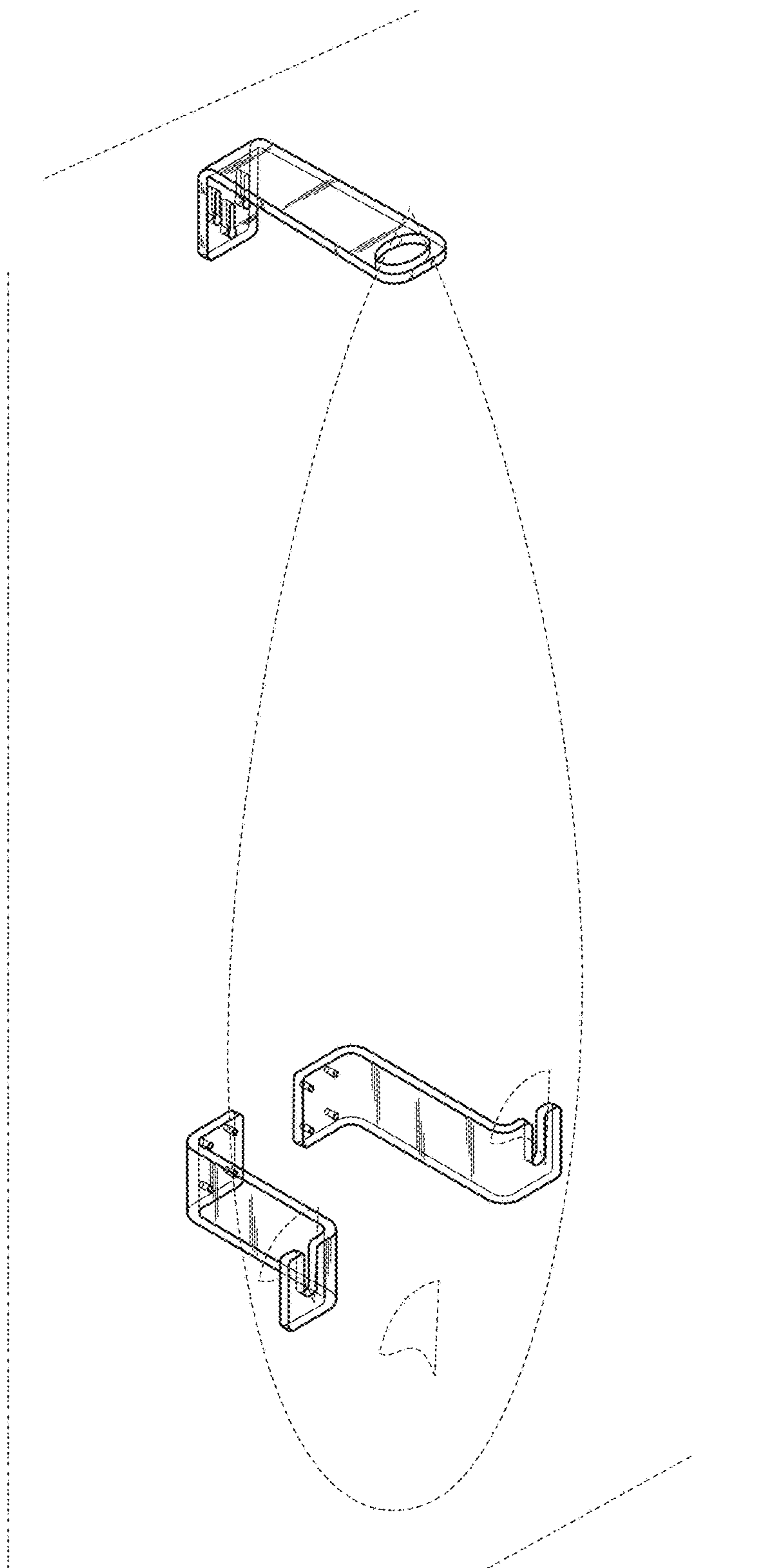


FIG. 8