



US00D801724S

(12) **United States Design Patent** (10) **Patent No.:** **US D801,724 S**  
**Atkins** (45) **Date of Patent:** **\*\* Nov. 7, 2017**

(54) **SET OF SPORTS BOARD RACKS**

(71) Applicant: **GHOST RACKS PTY LTD**, Main Beach, Queensland (AU)

(72) Inventor: **Shane Atkins**, Main Beach (AU)

(73) Assignee: **GHOST RACKS PTY LTD**, Main Beach, Queensland (AU)

(\*\*) Term: **15 Years**

(21) Appl. No.: **29/572,515**

(22) Filed: **Jul. 28, 2016**

(30) **Foreign Application Priority Data**

Mar. 14, 2016 (AU) ..... 201611395

(51) **LOC (10) Cl.** ..... **08-08**

(52) **U.S. Cl.**  
USPC ..... **D6/552**

(58) **Field of Classification Search**  
USPC ..... D6/552, 323, 324, 327, 328, 512, 513, D6/545, 549, 550, 553; D8/349, 354, D8/373, 380, 381, 402, 403; D12/223, D12/406, 412; 211/13, 42; 248/200, 248/220.1, 300, 235, 237  
CPC .. B60R 9/045; B60R 9/04; B60R 9/08; B60R 9/12; B60P 3/1008; B63B 3/42; A47B 47/024; A47B 57/045

See application file for complete search history.

(56) **References Cited**

U.S. PATENT DOCUMENTS

D533,362 S *	12/2006	Giampavolo	.....	D6/328
D655,549 S *	3/2012	Allain	.....	D6/552
D774,317 S *	12/2016	Taylor	.....	D6/323
D786,582 S *	5/2017	Schumacher	.....	D6/552

\* cited by examiner

*Primary Examiner* — Wan Laymon  
*Assistant Examiner* — Mark Booker  
 (74) *Attorney, Agent, or Firm* — Kirton McConkie; Evan R. Witt

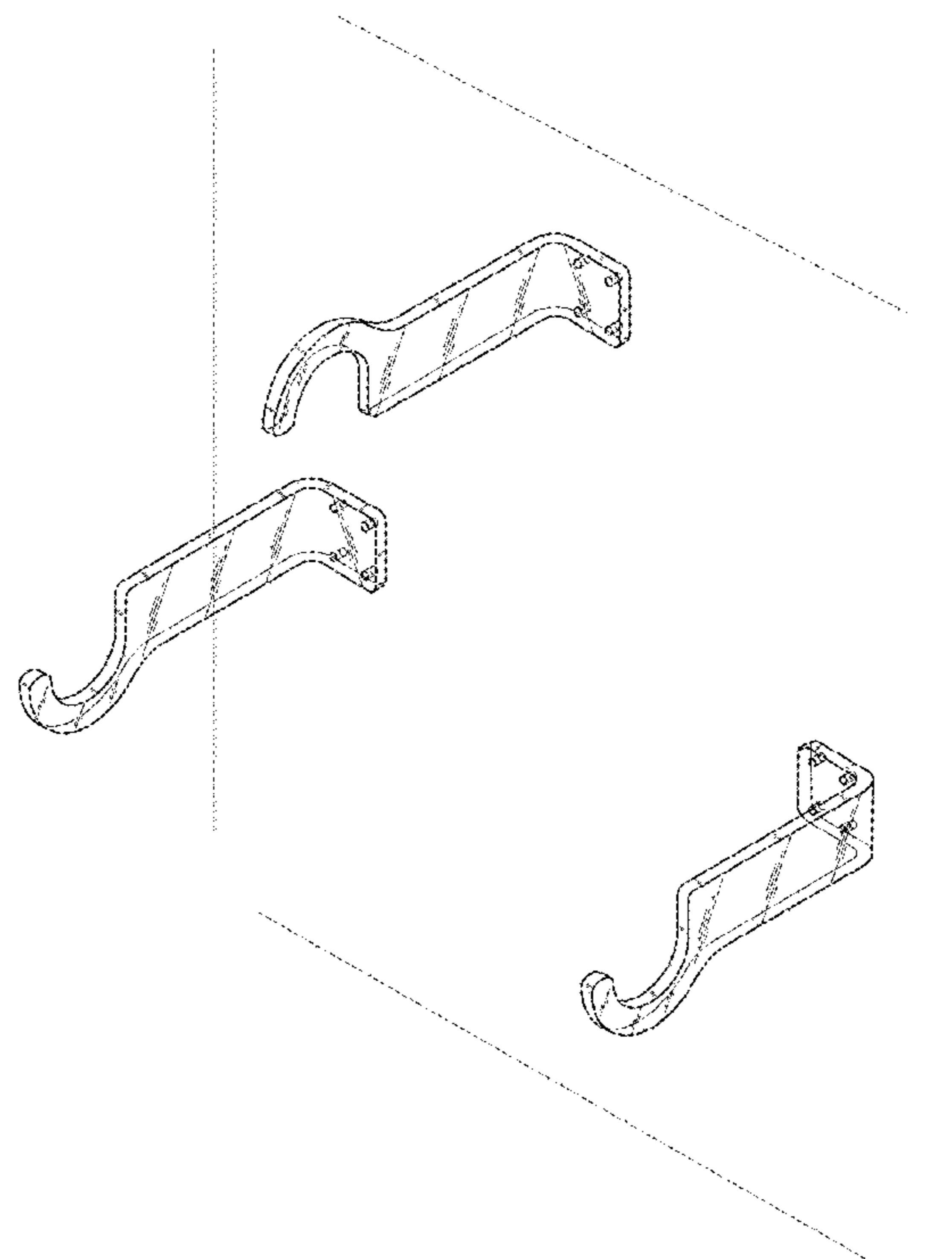
(57) **CLAIM**

The ornamental design for a set of sports board racks, as shown and described.

**DESCRIPTION**

FIG. 1 is a perspective view of a set of sports board racks showing my new design;  
 FIG. 2 is a left side view thereof;  
 FIG. 3 is a right side view thereof;  
 FIG. 4 is a bottom view thereof;  
 FIG. 5 is a top view thereof;  
 FIG. 6 is a front view thereof;  
 FIG. 7 is a back view thereof; and,  
 FIG. 8 is a perspective view of the set of sports board racks in use holding a sports board shown in broken lines. The broken lines are for illustrating environment and form no part of the claimed design. The set of sports board racks is fabricated of transparent material.

**1 Claim, 8 Drawing Sheets**



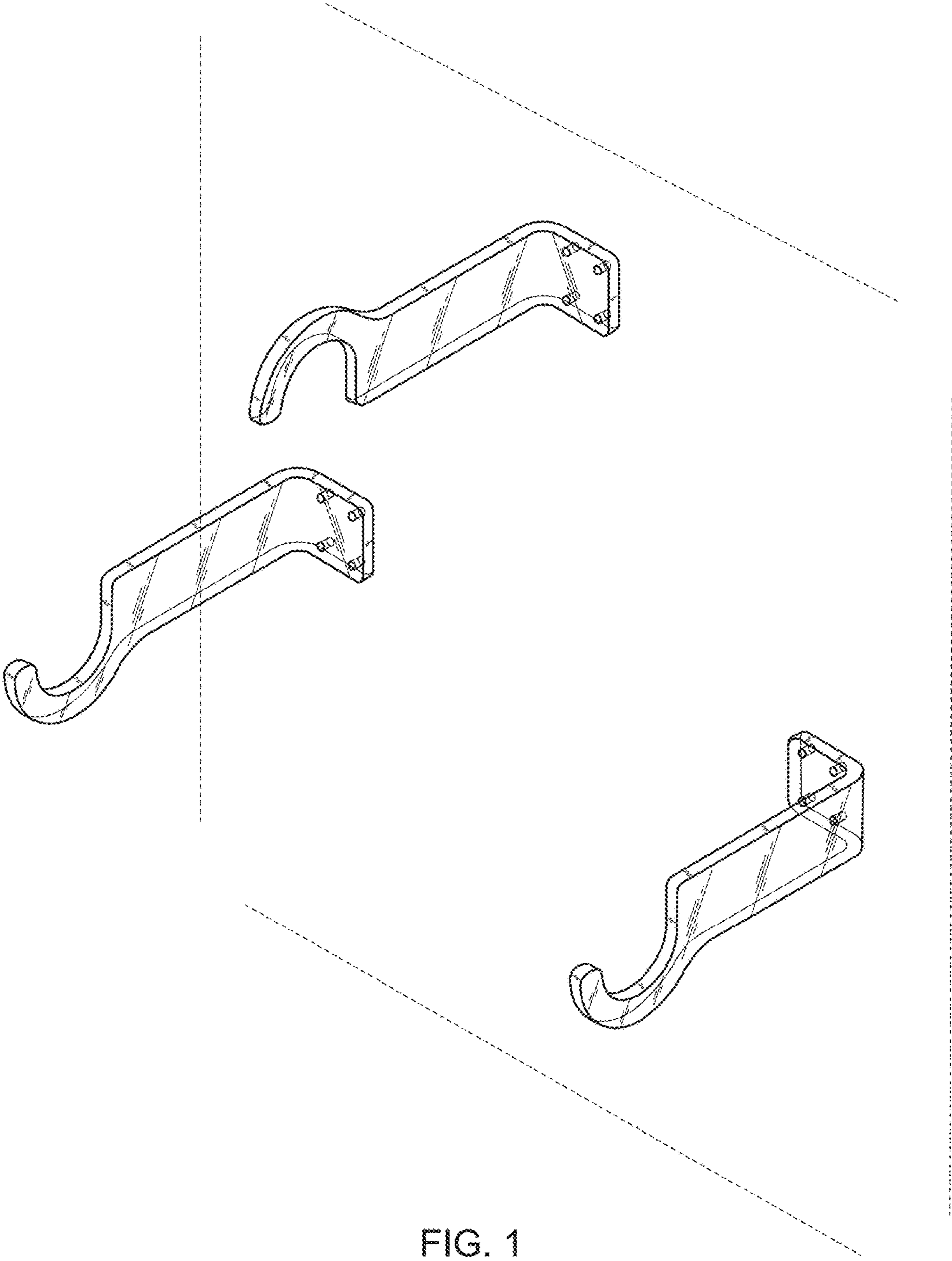


FIG. 1

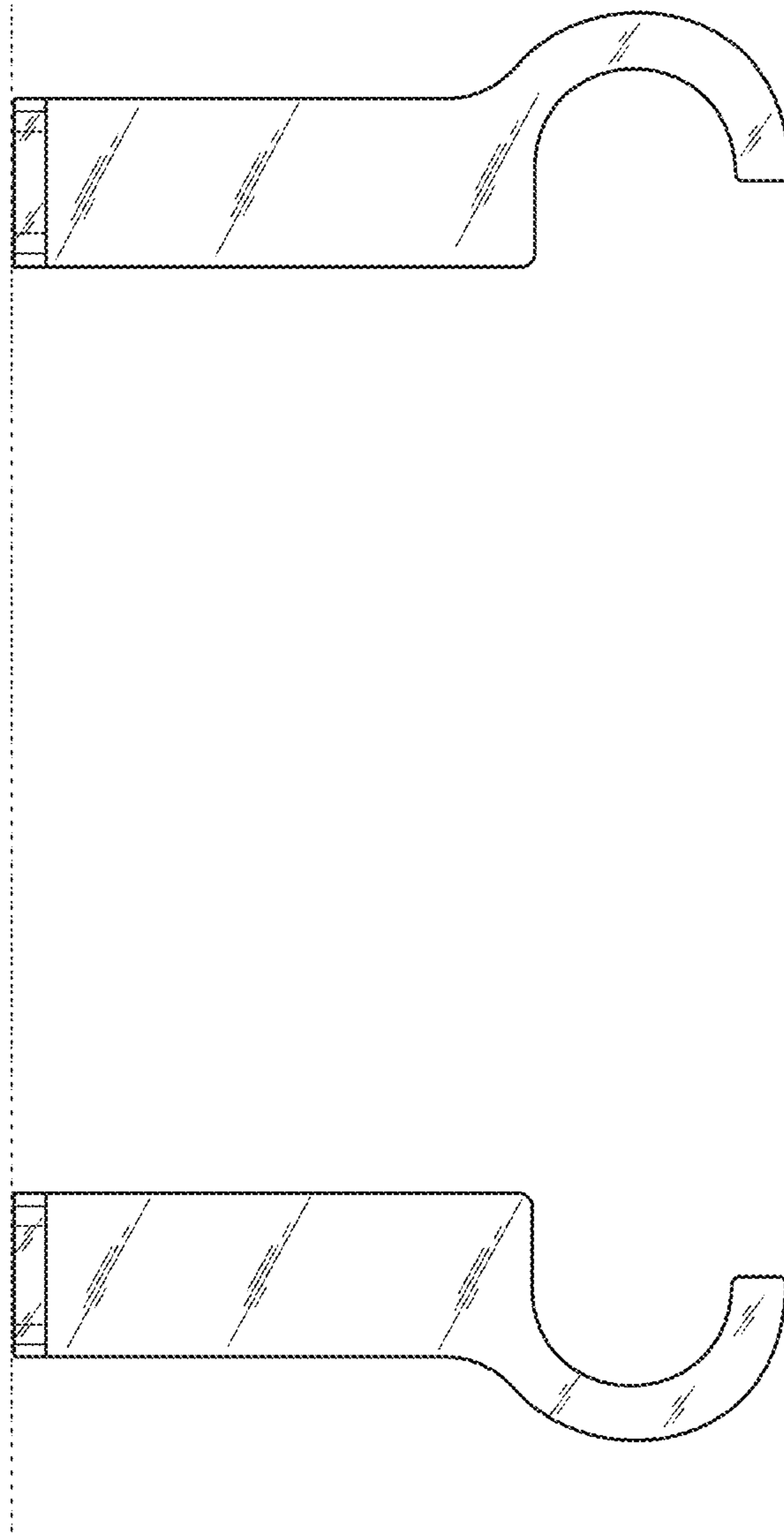


FIG. 2

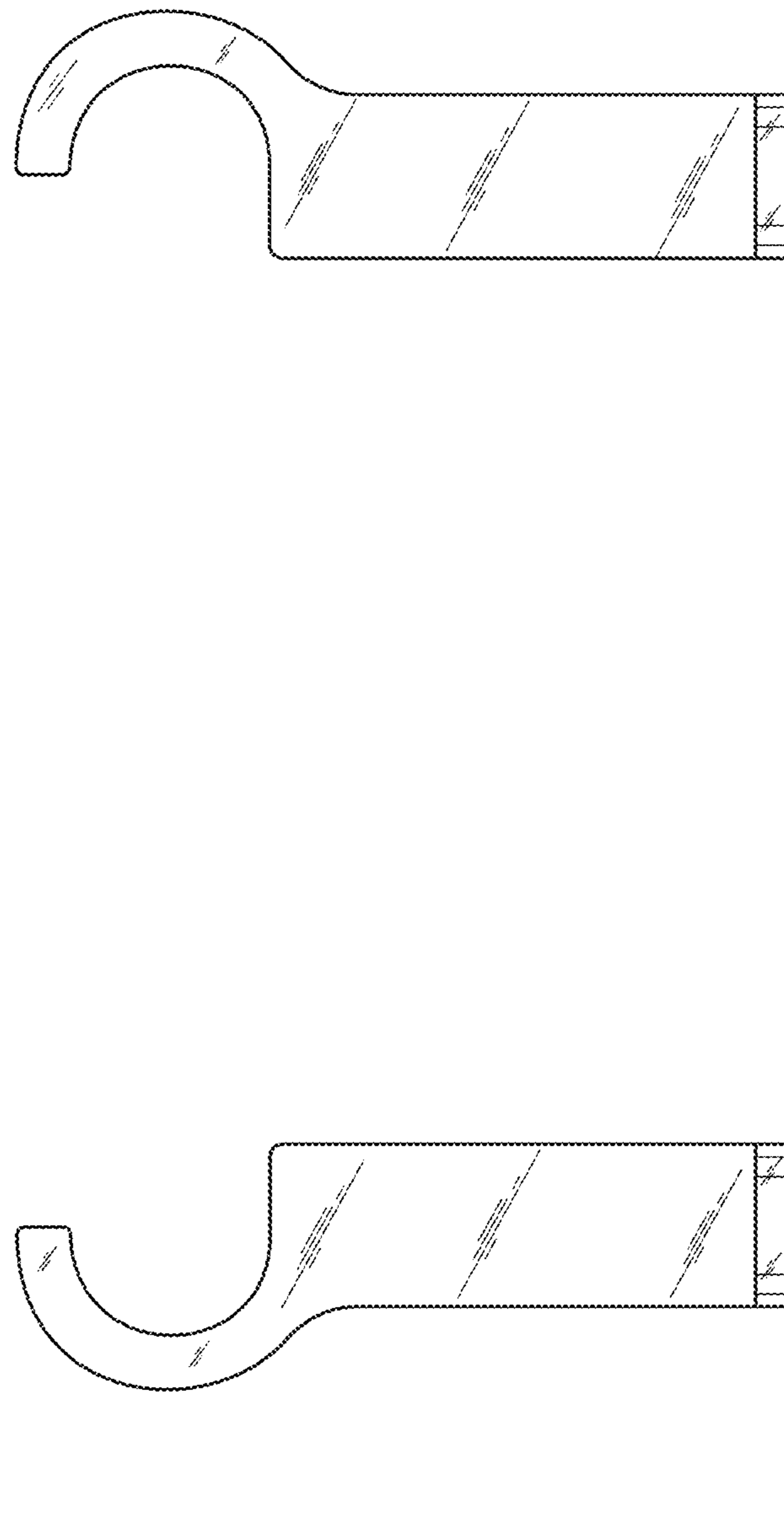


FIG. 3

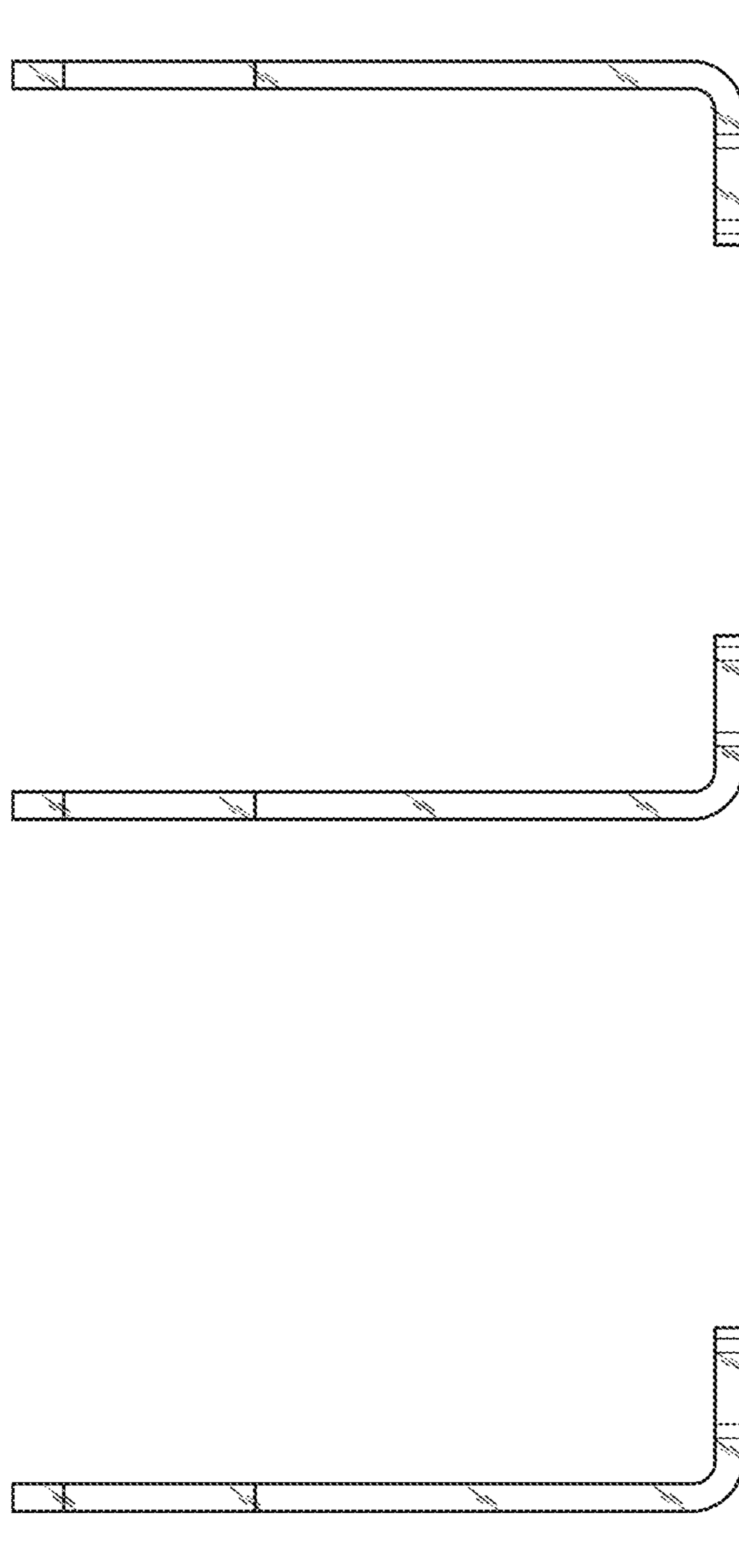


FIG. 4

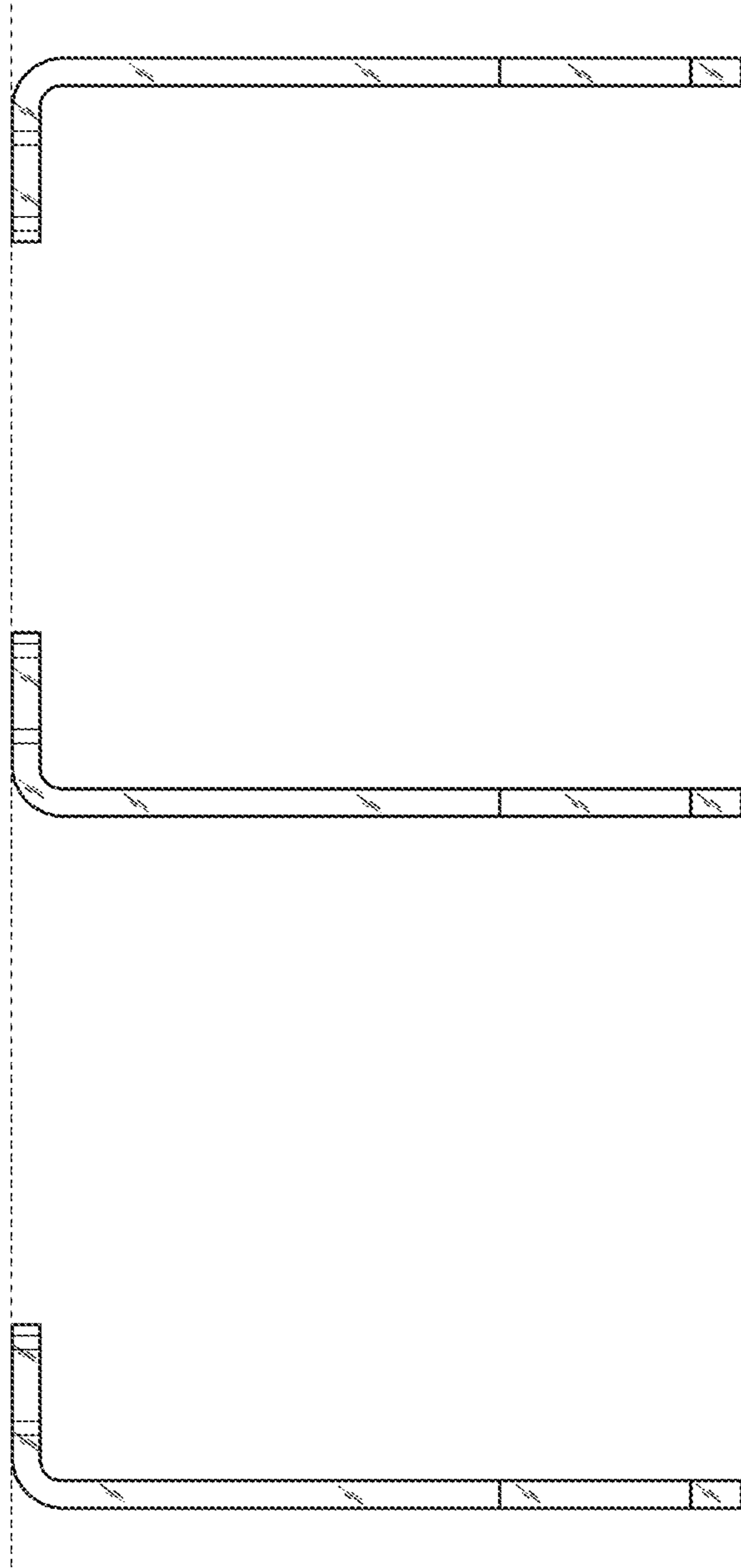


FIG. 5

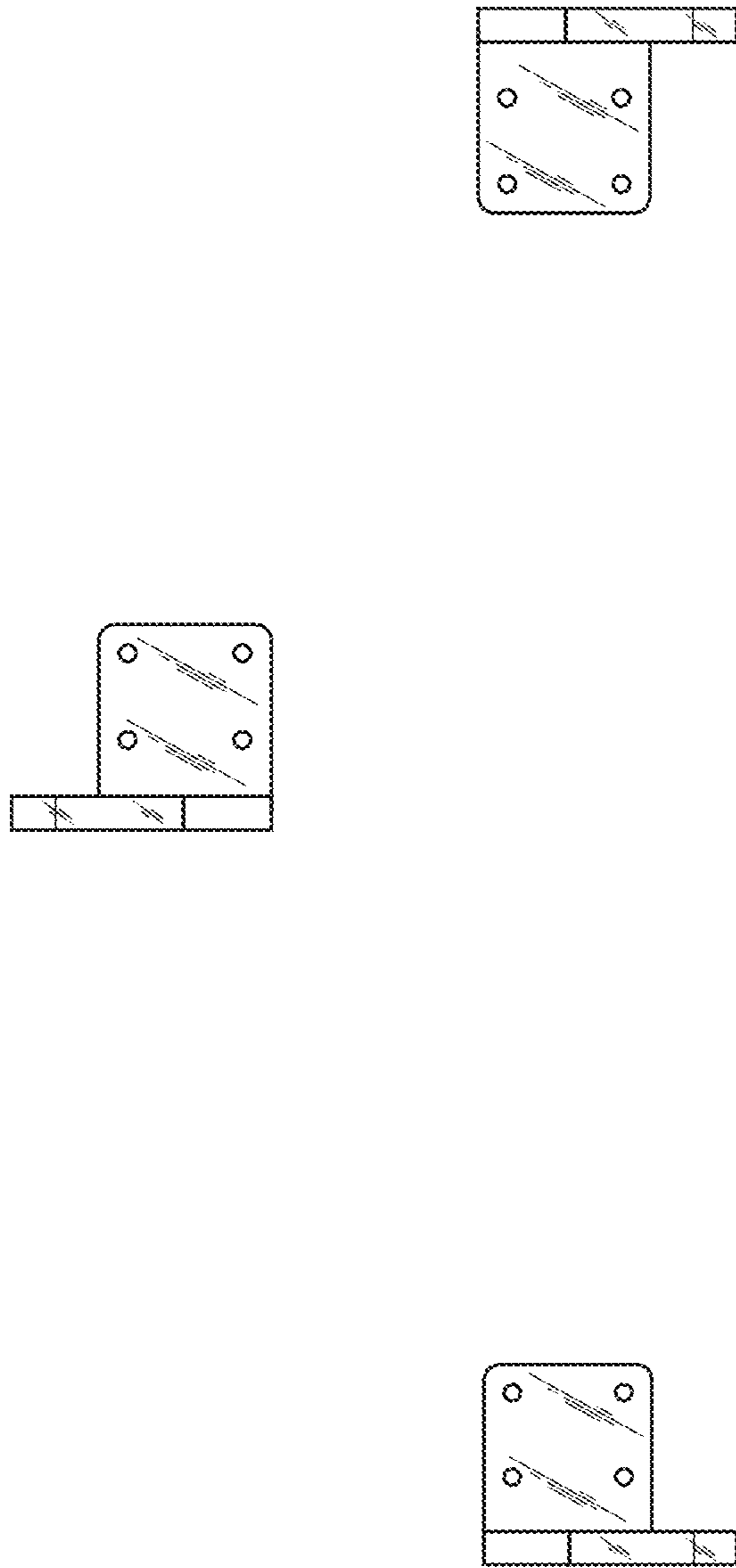


FIG. 6

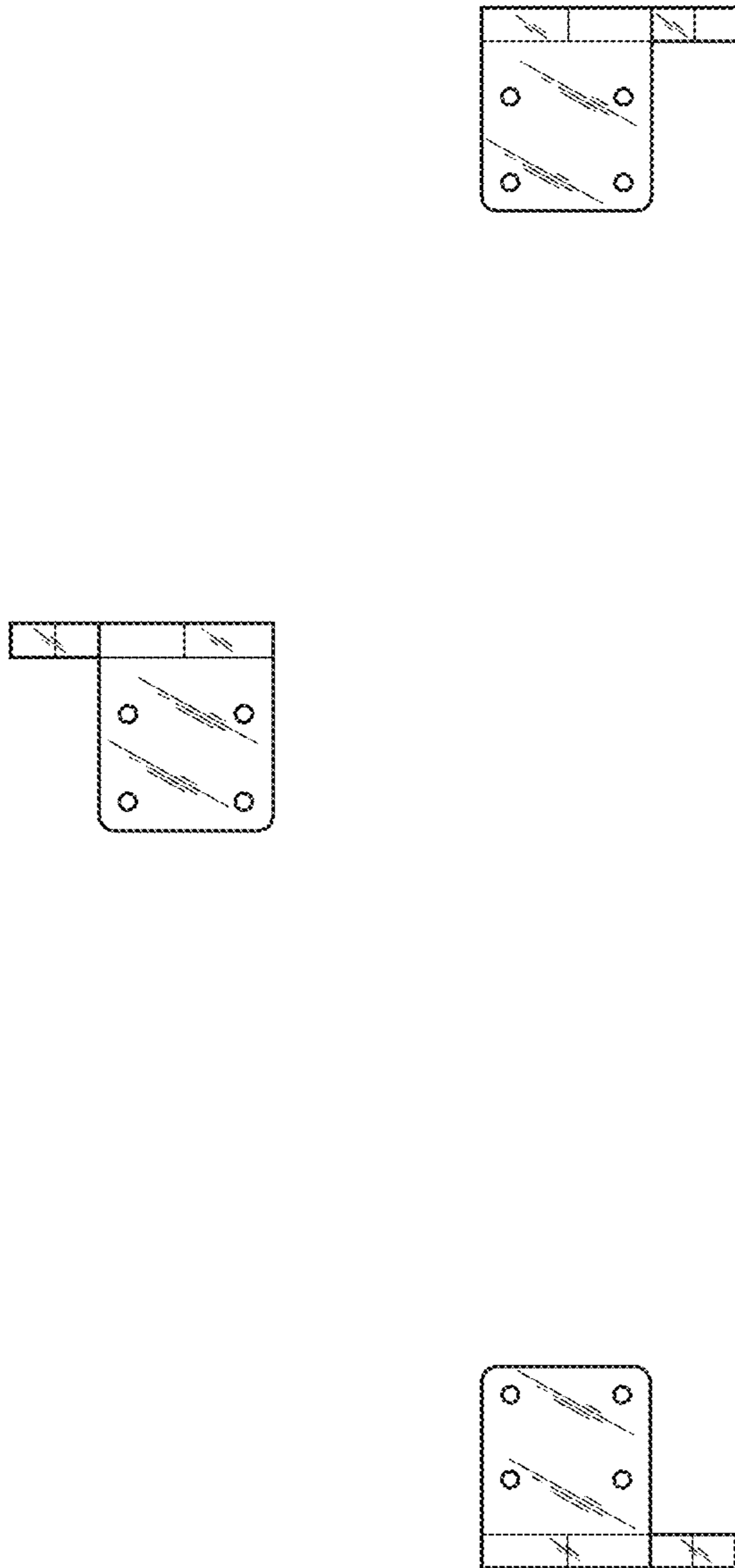


FIG. 7



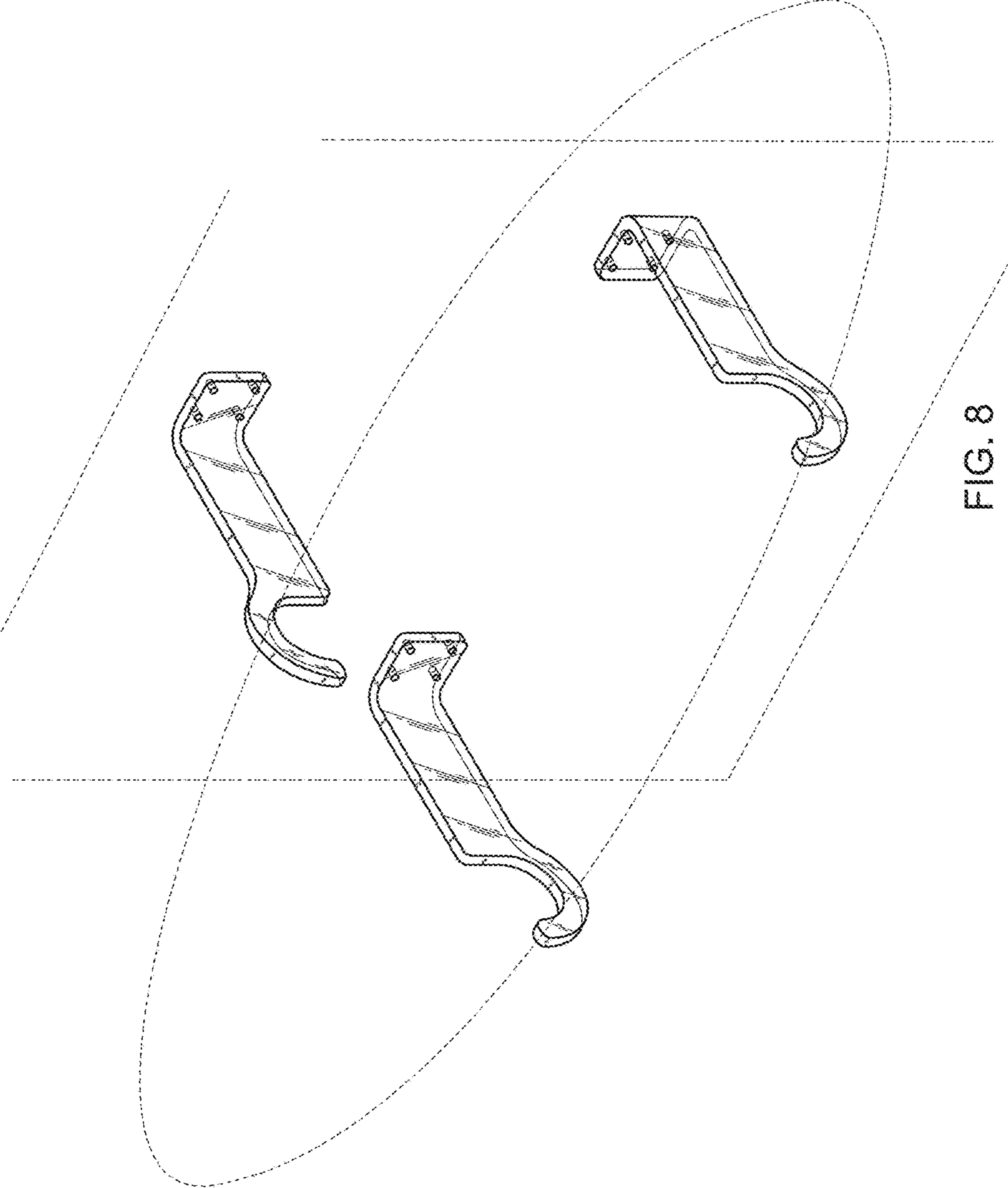


FIG. 8