



US00D801719S

(12) **United States Design Patent**
Meda

(10) **Patent No.:** **US D801,719 S**

(45) **Date of Patent:** **** Nov. 7, 2017**

(54) **CHAIR**

(71) Applicant: **Vitra Patente AG**, Birsfelden (CH)

(72) Inventor: **Alberto Meda**, Milan (IT)

(73) Assignee: **VITRA PATENTE AG**, Birsfelden (CH)

(**) Term: **15 Years**

(21) Appl. No.: **29/573,939**

(22) Filed: **Aug. 10, 2016**

(30) **Foreign Application Priority Data**

May 13, 2016 (WO) DM/090703

(51) **LOC (10) Cl.** **06-01**

(52) **U.S. Cl.**
USPC **D6/366**

(58) **Field of Classification Search**

USPC D6/334-336, 364, 365, 366, 374, 379,
D6/380, 716, 716.1, 716.2, 716.4, 708.23,
D6/708.24

CPC .. A47C 7/54; A47C 3/24; A47C 7/022; A47C
7/282; A47C 7/40; A47C 7/46; A47C
7/462; A47C 7/24; A47C 7/004

See application file for complete search history.

(56) **References Cited**

U.S. PATENT DOCUMENTS

D360,316 S	7/1995	Hodge et al.
D367,980 S	3/1996	Hodge et al.
D390,712 S	2/1998	Koepke et al.
D400,018 S	10/1998	James et al.
D445,580 S	7/2001	Pennington et al.
D446,397 S	8/2001	Pennington et al.
D453,079 S	1/2002	Ma
D467,443 S	12/2002	Kwon

6,572,190 B2	6/2003	Koepke et al.	
D540,079 S *	4/2007	Bock	D6/716.4
D540,080 S	4/2007	Su	
D541,061 S	4/2007	Benden et al.	
D541,062 S	4/2007	Su	
D549,014 S	8/2007	Donati	
D558,995 S *	1/2008	Igarashi	D6/366
7,347,495 B2	3/2008	Beyer et al.	
D566,410 S	4/2008	Neil	
D567,522 S	4/2008	Igarashi	
D570,624 S *	6/2008	Kang	D6/366
D572,948 S *	7/2008	Wakasugi	D6/716.4
D576,813 S	9/2008	Baldanzi et al.	
D579,682 S	11/2008	Neil	
D582,170 S	12/2008	Chi	
D584,901 S	1/2009	Massaud	
7,517,024 B2	4/2009	Cvek et al.	
D597,330 S	8/2009	Neil	
D613,085 S *	4/2010	Fujita	D6/366
D613,086 S *	4/2010	Fujita	D6/366
D640,477 S	6/2011	Neil	
D640,478 S	6/2011	Neil	
D646,915 S *	10/2011	Schweikarth	D6/716.4
D649,796 S	12/2011	Lievore et al.	
D650,617 S	12/2011	Chen	

(Continued)

Primary Examiner — Mimosa De

(74) *Attorney, Agent, or Firm* — Dorsey & Whitney LLP

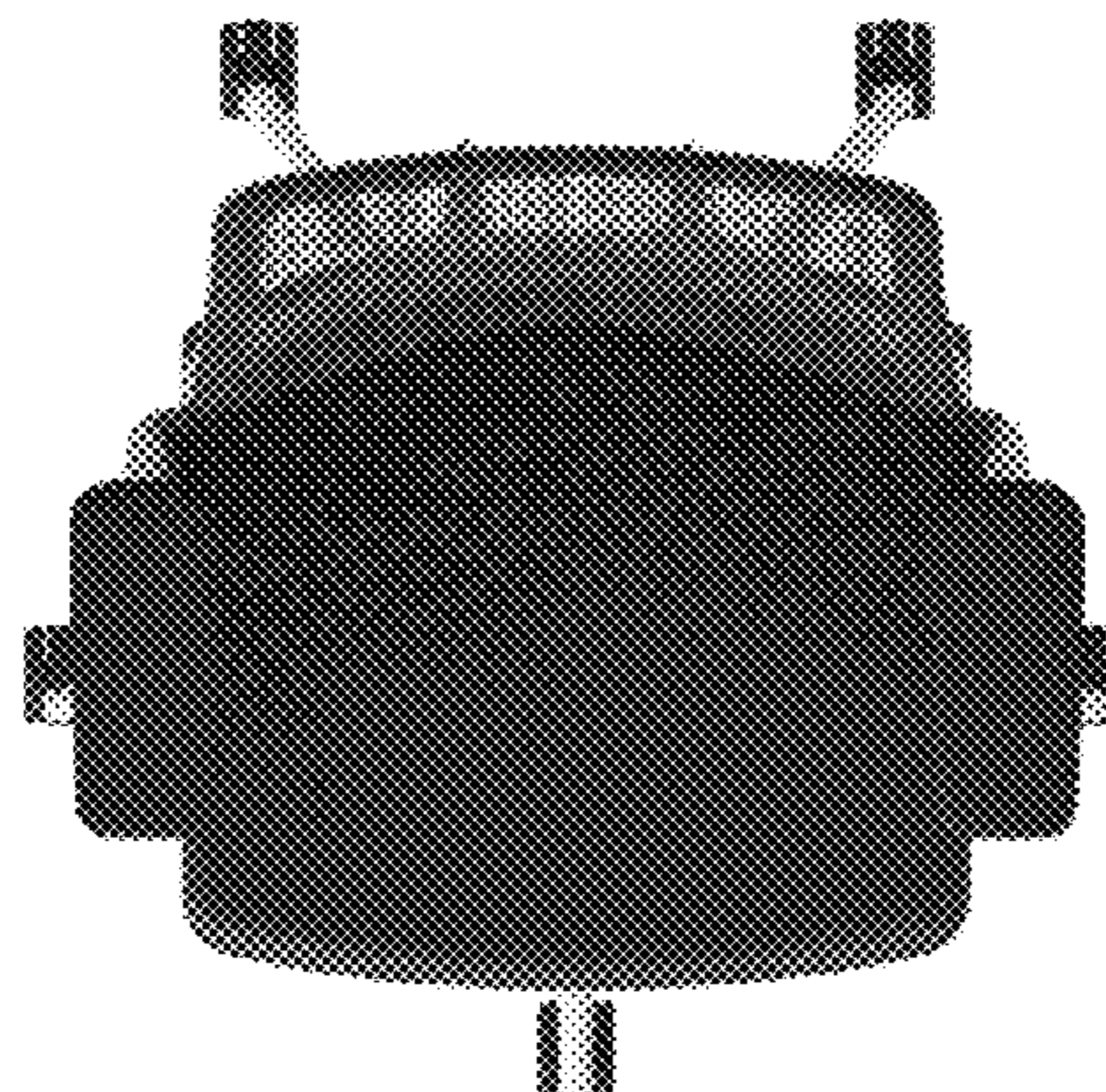
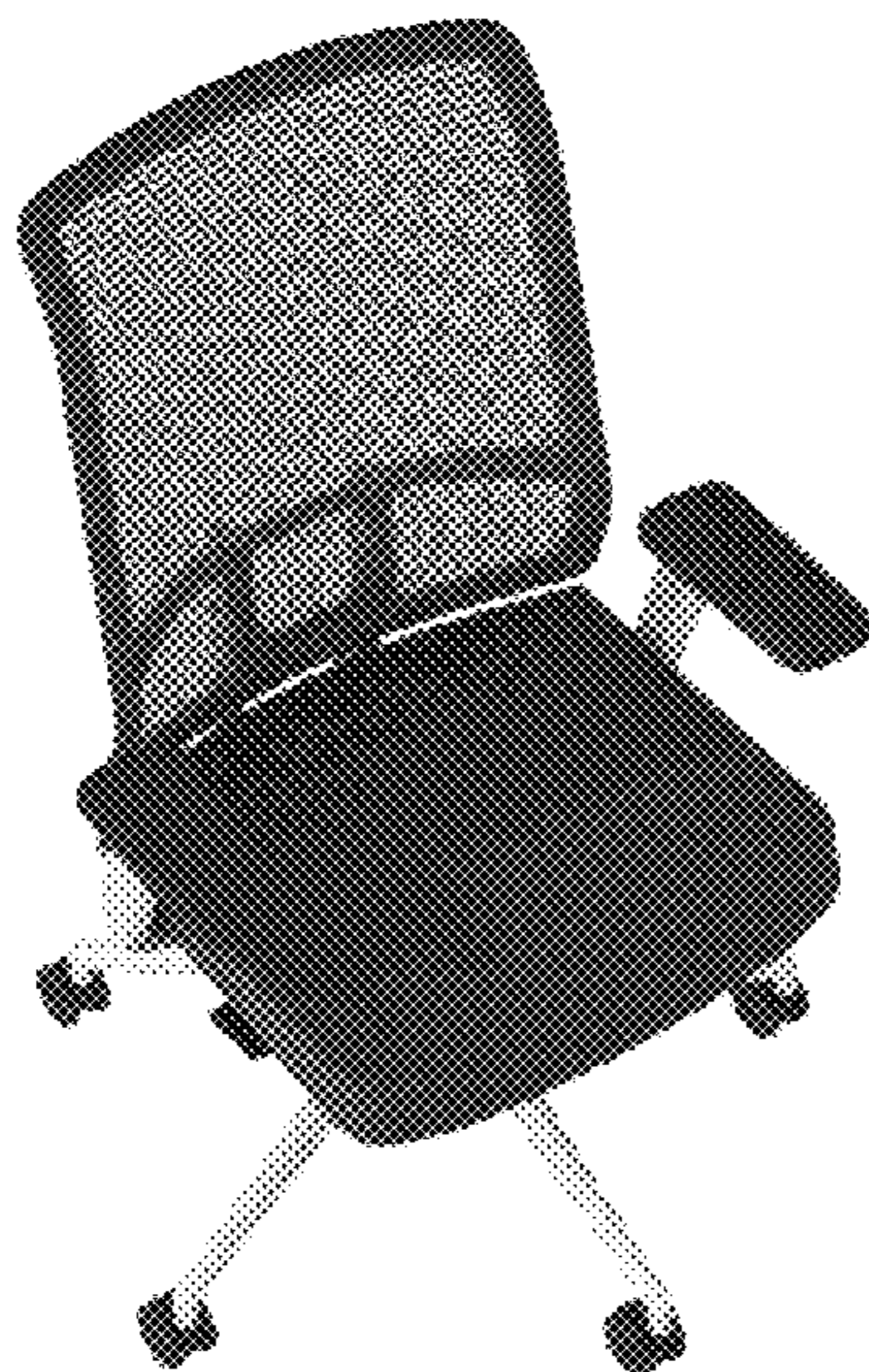
(57) **CLAIM**

The ornamental design of a chair, as shown and described.

DESCRIPTION

FIG. 1 is a front perspective-view of a chair;
FIG. 2 is a front view thereof;
FIG. 3 is a left-side view thereof;
FIG. 4 is a back view thereof;
FIG. 5 is a right-side view thereof;
FIG. 6 is a top view thereof; and,
FIG. 7 is a bottom view thereof.

1 Claim, 7 Drawing Sheets



(56)

References Cited

U.S. PATENT DOCUMENTS

D652,646 S	*	1/2012	Fujita	D6/366
D653,467 S		2/2012	Ballendat	
D654,280 S		2/2012	Fujita	
D656,752 S		4/2012	Moll	
D658,904 S		5/2012	Chen	
D661,505 S		6/2012	Ballendat	
D665,589 S	*	8/2012	Wagner	D6/366
D665,590 S		8/2012	Wagner	
D666,032 S		8/2012	Su	
D671,330 S		11/2012	Izawa	
D671,332 S		11/2012	Izawa	
D671,759 S		12/2012	Hurford	
D679,107 S	*	4/2013	Darrow	D6/366
D683,172 S		5/2013	Su	
D683,552 S		6/2013	Wu	
D683,574 S		6/2013	Su	
D687,641 S	*	8/2013	Barrell	D6/366
D694,541 S		12/2013	Breen	
D695,538 S		12/2013	Geelen	
D697,330 S		1/2014	Chen	
D701,068 S		3/2014	Usumoto et al.	
D702,977 S	*	4/2014	Bonneywell	D6/366
D703,966 S		5/2014	Wu	
D708,882 S		7/2014	Hsuan-Chin	
D714,069 S	*	9/2014	Cvek	D6/366
D736,532 S		8/2015	Ballendat	
D758,087 S	*	6/2016	Bonneywell	D6/366
D767,320 S		9/2016	Xingchang	
D768,401 S		10/2016	Lievore et al.	
D773,199 S	*	12/2016	Neil	D6/366
D781,604 S		3/2017	Smith et al.	
D781,605 S		3/2017	Smith et al.	
9,648,957 B2		5/2017	Su	

* cited by examiner

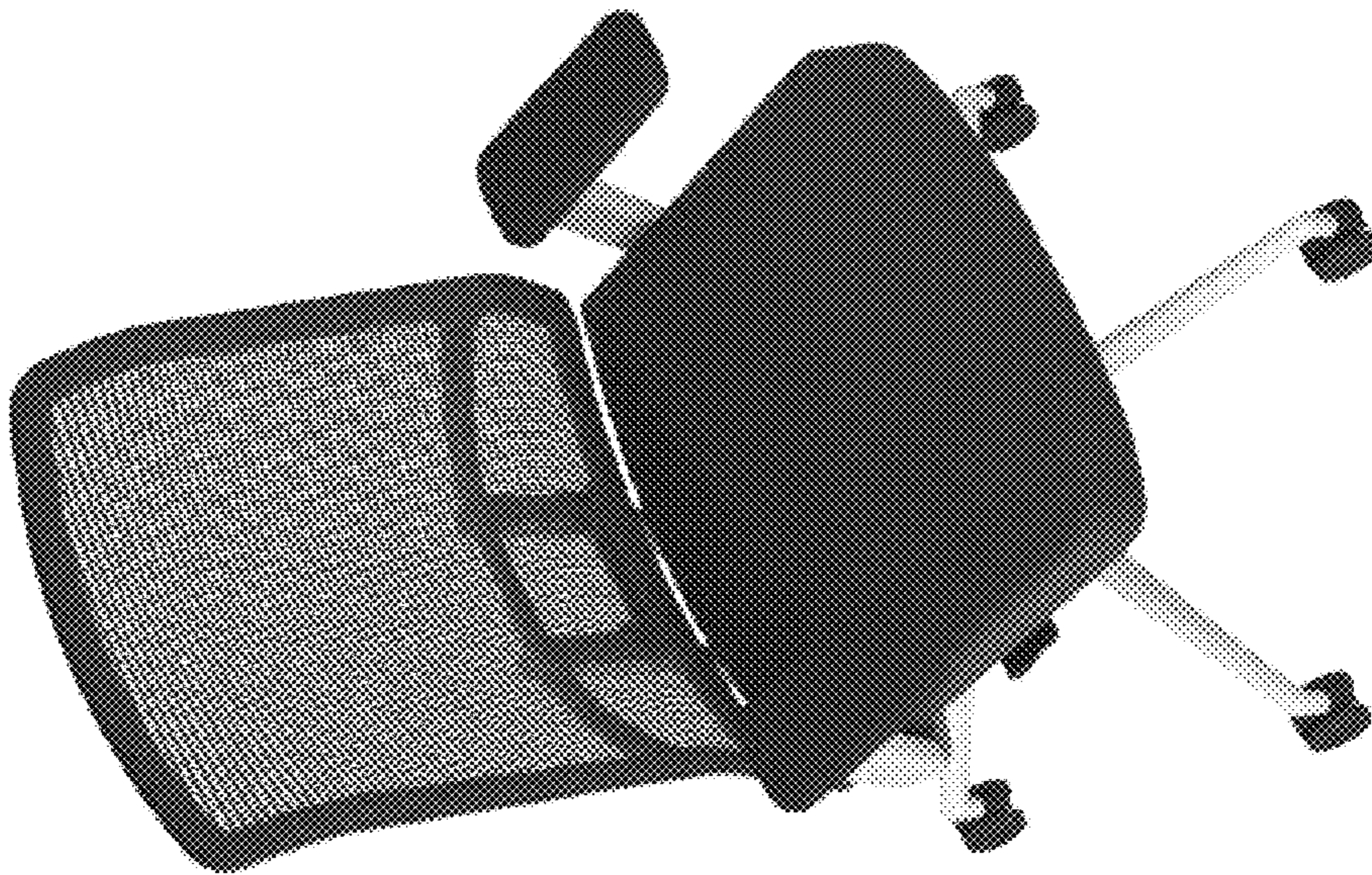


Fig. 1

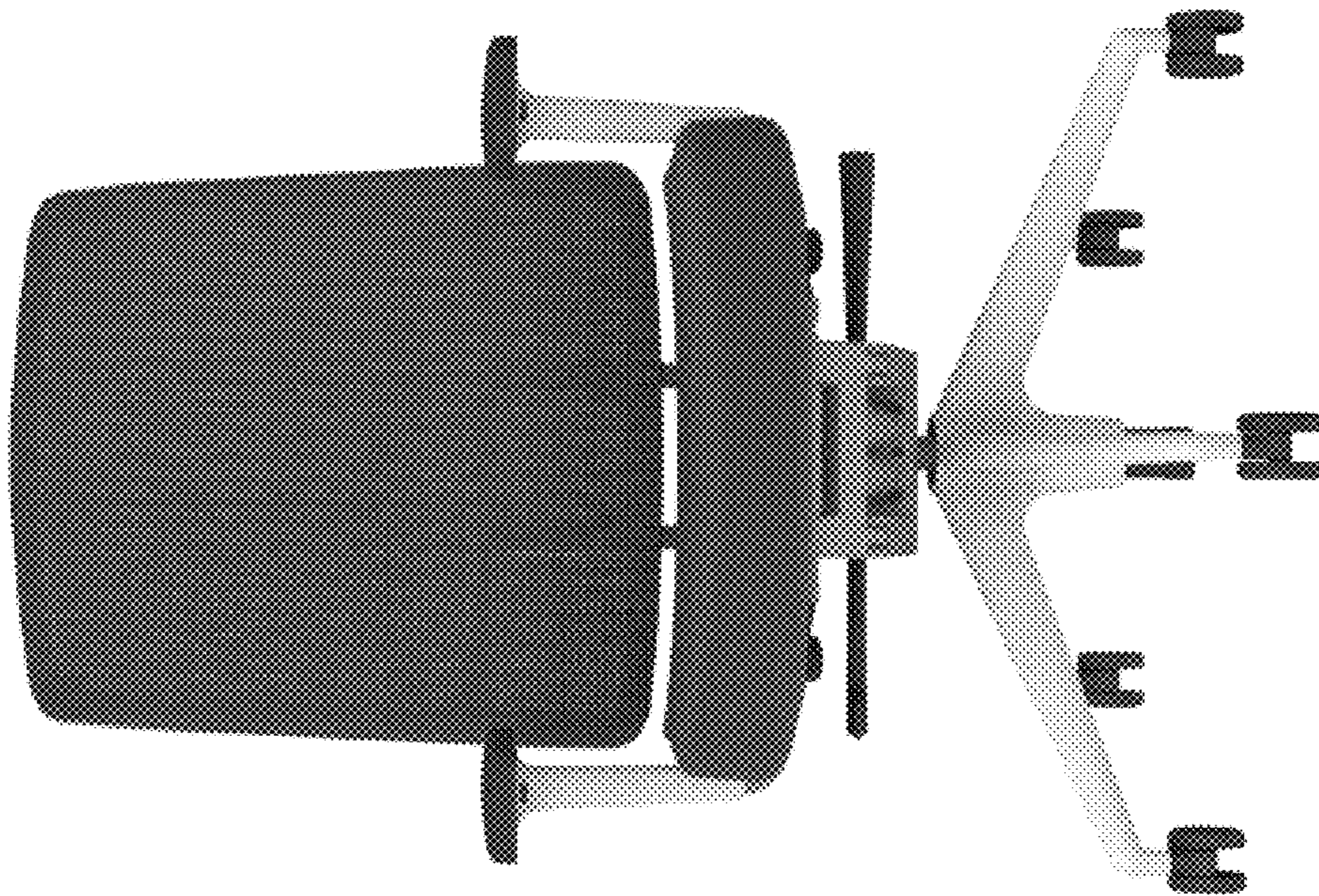


Fig. 2

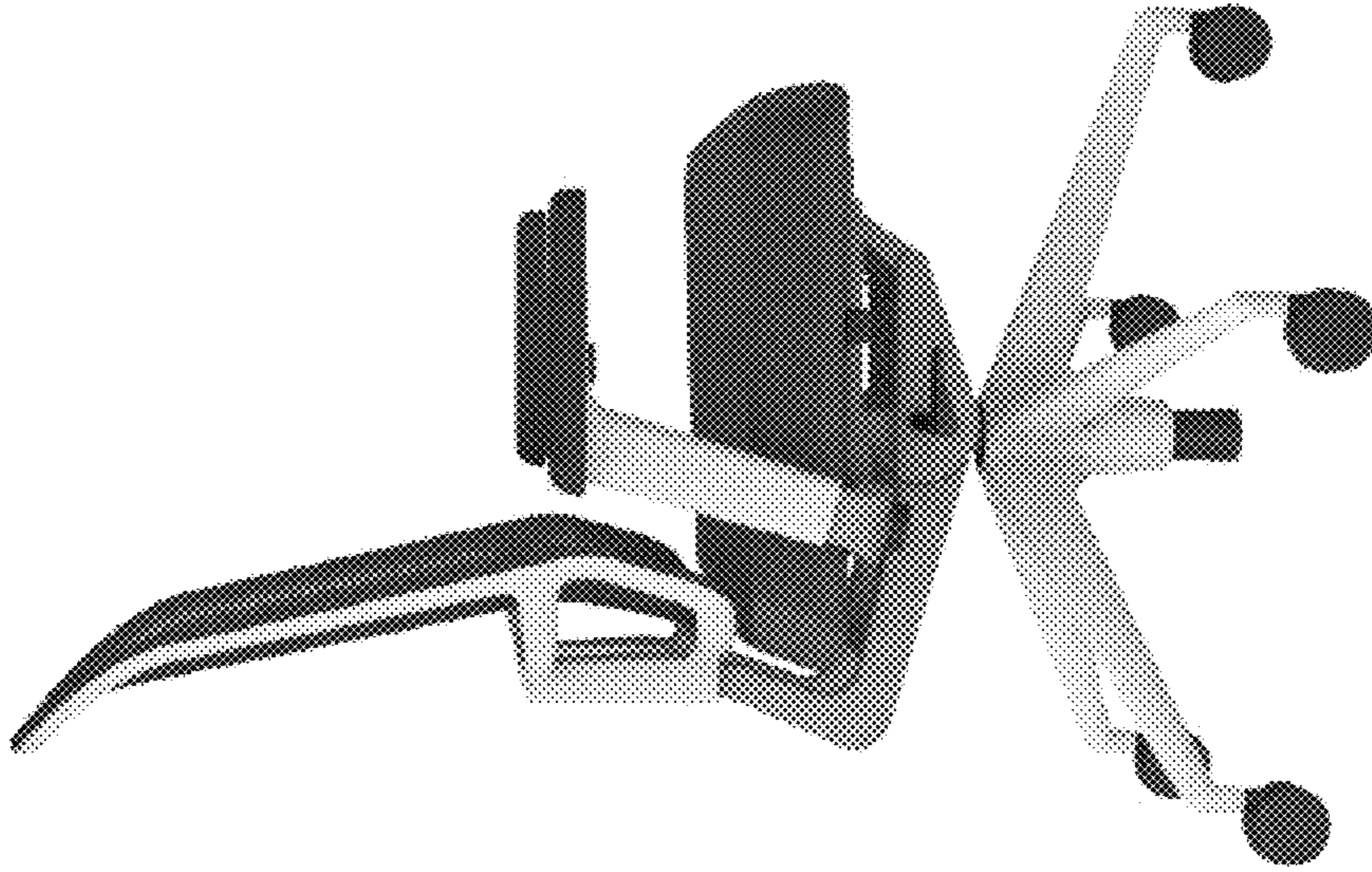


Fig. 3

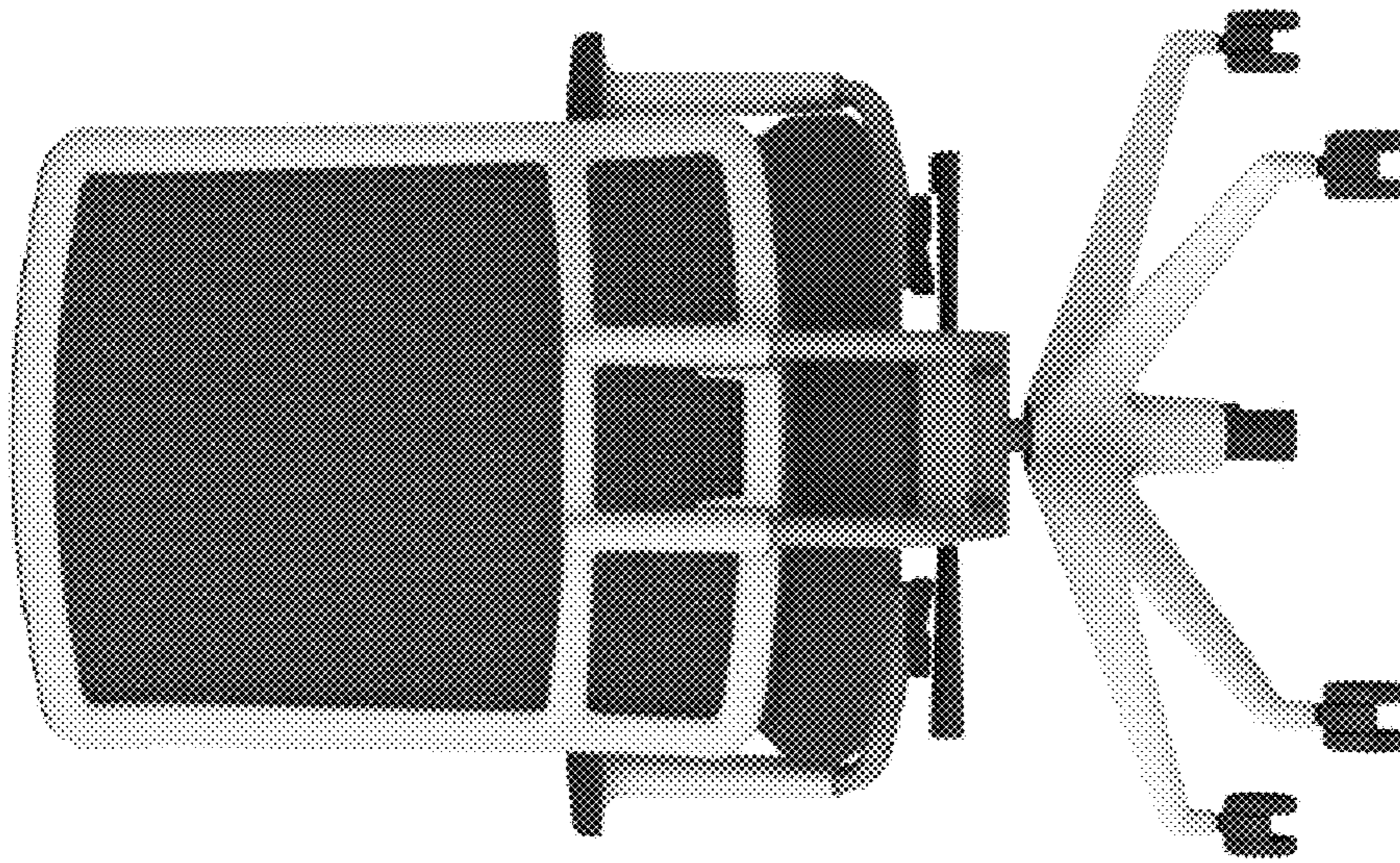


Fig. 4

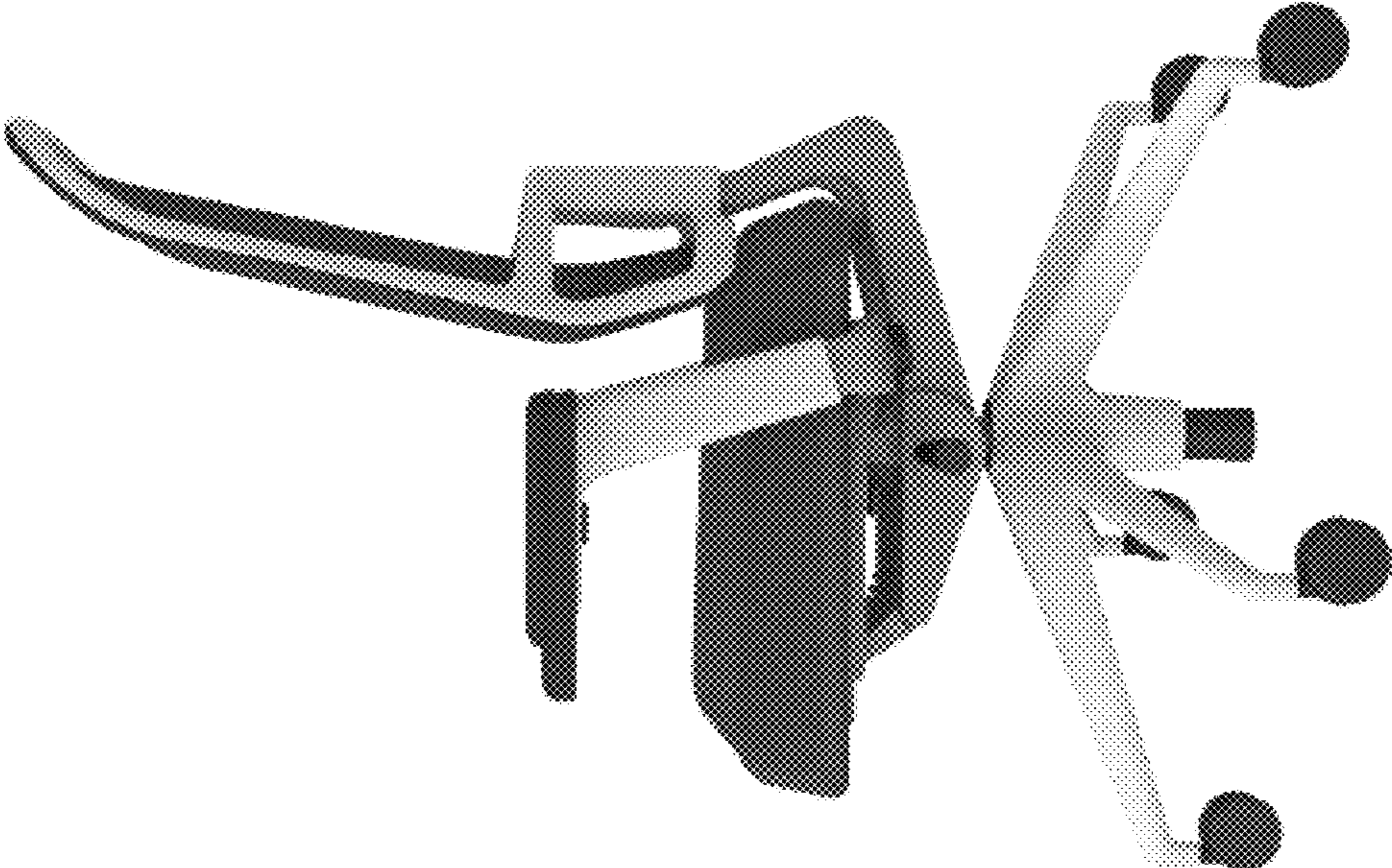


Fig. 5



Fig. 6

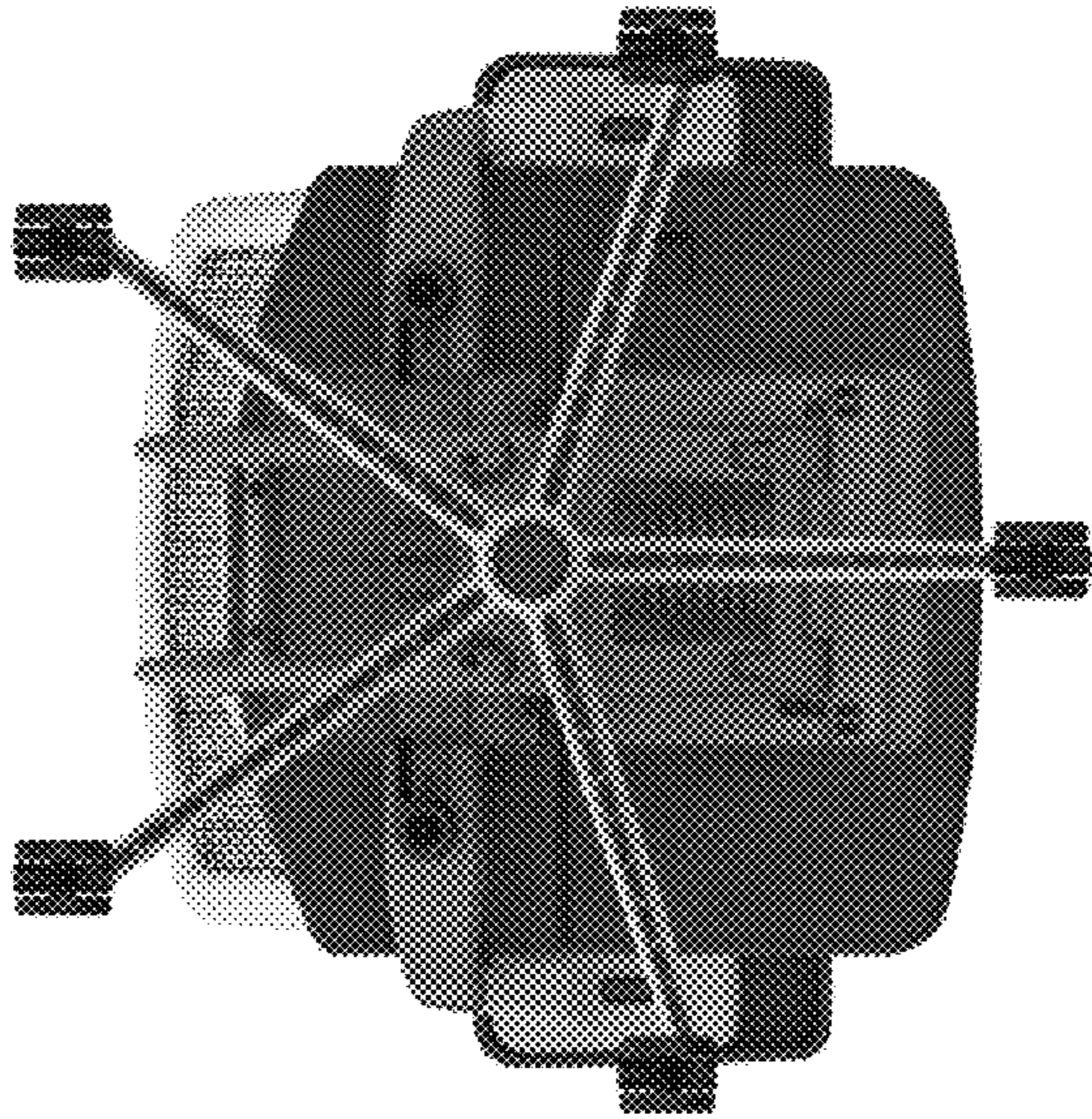


Fig. 7