



US00D801718S

(12) **United States Design Patent**  
**Barber et al.**

(10) **Patent No.:** **US D801,718 S**  
(45) **Date of Patent:** **\*\* Nov. 7, 2017**

(54) **CHAIR**

(71) Applicant: **Vitra Patente AG**, Birsfelden (CH)

(72) Inventors: **Edward Barber**, London (GB); **Jay Osgerby**, London (GB)

(73) Assignee: **VITRA PATENTE AG**, Birsfelden (CH)

(\*\*) Term: **15 Years**

(21) Appl. No.: **29/573,928**

(22) Filed: **Aug. 10, 2016**

(30) **Foreign Application Priority Data**

May 13, 2016 (WO) ..... DM090703

(51) **LOC (10) Cl.** ..... **06-01**

(52) **U.S. Cl.**  
USPC ..... **D6/366**

(58) **Field of Classification Search**  
USPC ..... D6/334-336, 364, 365, 366, 374, 379,  
D6/380, 716, 716.1, 716.2, 716.4, 708.23,  
D6/708.24  
CPC .. A47C 7/54; A47C 3/24; A47C 7/022; A47C  
7/40; A47C 7/46; A47C 7/24; A47C  
7/004

See application file for complete search history.

(56) **References Cited**

**U.S. PATENT DOCUMENTS**

D327,988 S \* 7/1992 Citterio ..... D6/366  
D360,316 S \* 7/1995 Hodge ..... D6/366  
D367,980 S \* 3/1996 Hodge ..... D6/716  
D390,712 S \* 2/1998 Koepke ..... D6/360  
D400,018 S \* 10/1998 James ..... D6/366  
D445,580 S 7/2001 Pennington et al.  
D446,397 S 8/2001 Pennington et al.

D453,079 S 1/2002 Ma  
D467,443 S \* 12/2002 Kwon ..... D6/366  
6,572,190 B2 6/2003 Koepke et al.  
D540,079 S 4/2007 Bock  
D540,080 S 4/2007 Su  
D541,061 S \* 4/2007 Benden ..... D6/366  
D541,062 S 4/2007 Su  
D549,014 S 8/2007 Donati  
D558,995 S 1/2008 Igarashi  
7,347,495 B2 3/2008 Beyer et al.  
D566,410 S 4/2008 Neil  
D567,522 S 4/2008 Igarashi  
D570,624 S 6/2008 Kang  
D572,948 S 7/2008 Kouichi et al.  
D576,813 S 9/2008 Baldanzi et al.  
D579,682 S \* 11/2008 Neil ..... D6/366  
D582,170 S 12/2008 Chi  
D584,901 S 1/2009 Massaud  
7,517,024 B2 4/2009 Cvek et al.  
D597,330 S 8/2009 Neil  
D613,085 S 4/2010 Fujita  
D613,086 S 4/2010 Fujita  
D640,477 S 6/2011 Neil  
D640,478 S \* 6/2011 Neil ..... D6/366  
D646,915 S 10/2011 Schweikarth et al.

(Continued)

*Primary Examiner* — Mimosa De

(74) *Attorney, Agent, or Firm* — Dorsey & Whitney LLP

(57) **CLAIM**

The ornamental design of a chair, as shown and described.

**DESCRIPTION**

FIG. 1 is a front perspective-view of a chair;  
FIG. 2 is a front view thereof;  
FIG. 3 is a left-side view thereof;  
FIG. 4 is a back view thereof;  
FIG. 5 is a right-side view thereof;  
FIG. 6 is a top view thereof; and,  
FIG. 7 is a bottom view thereof.

**1 Claim, 7 Drawing Sheets**



(56)

References Cited

U.S. PATENT DOCUMENTS

D649,796 S	*	12/2011	Lievore .....	D6/366	D683,552 S	6/2013	Wu	
D650,617 S		12/2011	Chen		D683,574 S	6/2013	Su	
D652,646 S		1/2012	Fujita		D687,641 S	8/2013	Barrell	
D653,467 S		2/2012	Ballendat		D694,541 S	12/2013	Breen	
D654,280 S		2/2012	Fujita		D695,538 S	12/2013	Geelen	
D656,752 S	*	4/2012	Moll .....	D6/366	D697,330 S	1/2014	Chen	
D658,904 S		5/2012	Chen		D701,068 S	3/2014	Usumoto et al.	
D661,505 S	*	6/2012	Ballendat .....	D6/366	D702,977 S	4/2014	Bonneywell	
D665,589 S		8/2012	Wagner		D703,966 S	5/2014	Wu	
D665,590 S		8/2012	Wagner		D708,882 S	7/2014	Hsuan-Chin	
D666,032 S		8/2012	Su		D714,069 S	9/2014	Cvek	
D671,330 S		11/2012	Izawa		D736,532 S	8/2015	Ballendat	
D671,332 S		11/2012	Izawa		D758,087 S	6/2016	Bonneywell	
D671,759 S		12/2012	Hurford		D767,320 S	9/2016	Xingchang	
D677,918 S	*	3/2013	Citterio .....	D6/366	D768,401 S	* 10/2016	Lievore .....	D6/366
D679,107 S		4/2013	Darrow et al.		D773,199 S	12/2016	Neil	
D683,172 S		5/2013	Su		D781,604 S	3/2017	Smith et al.	
					D781,605 S	3/2017	Smith et al.	
					9,648,957 B2	5/2017	Su	

\* cited by examiner



Fig. 1

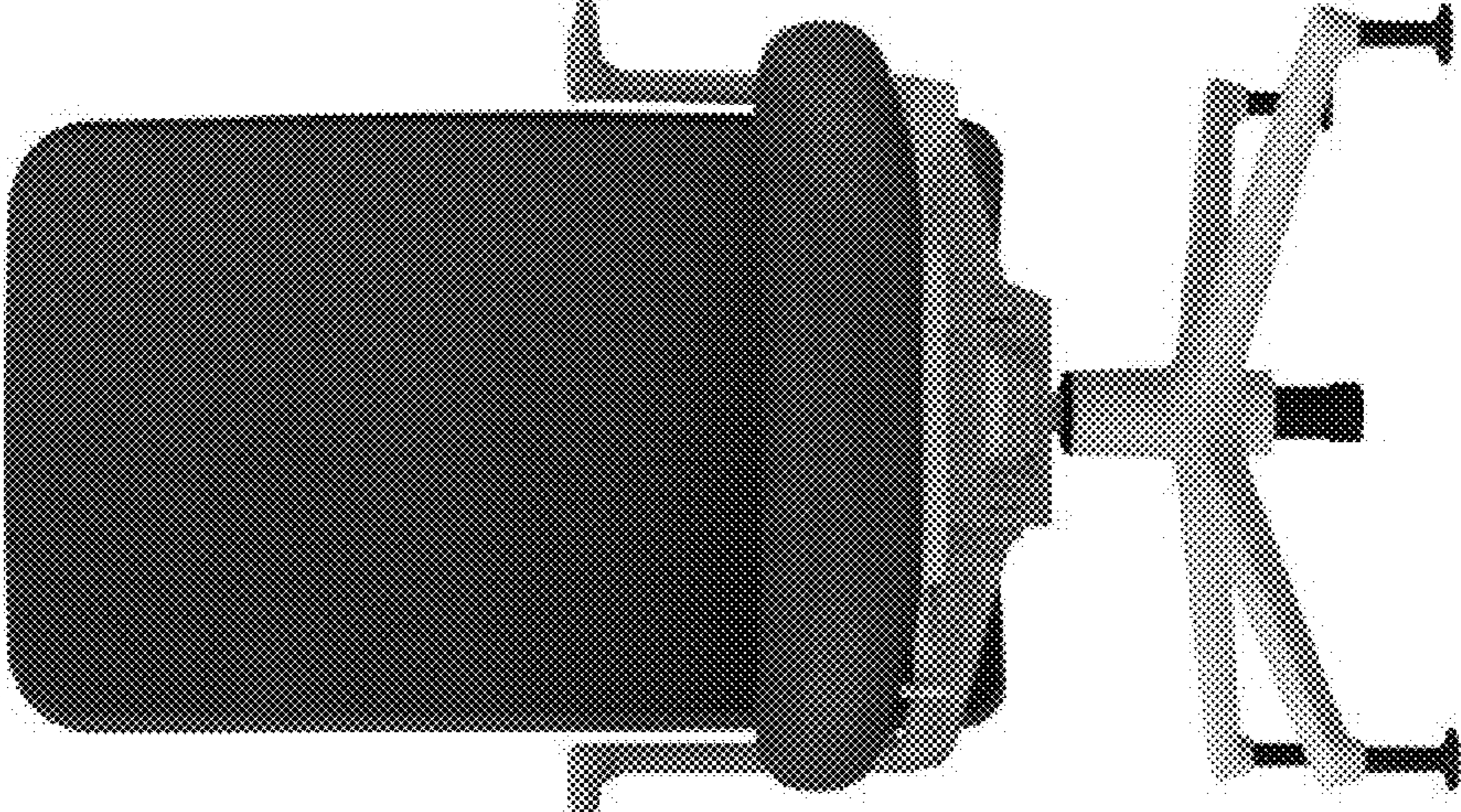


Fig. 2

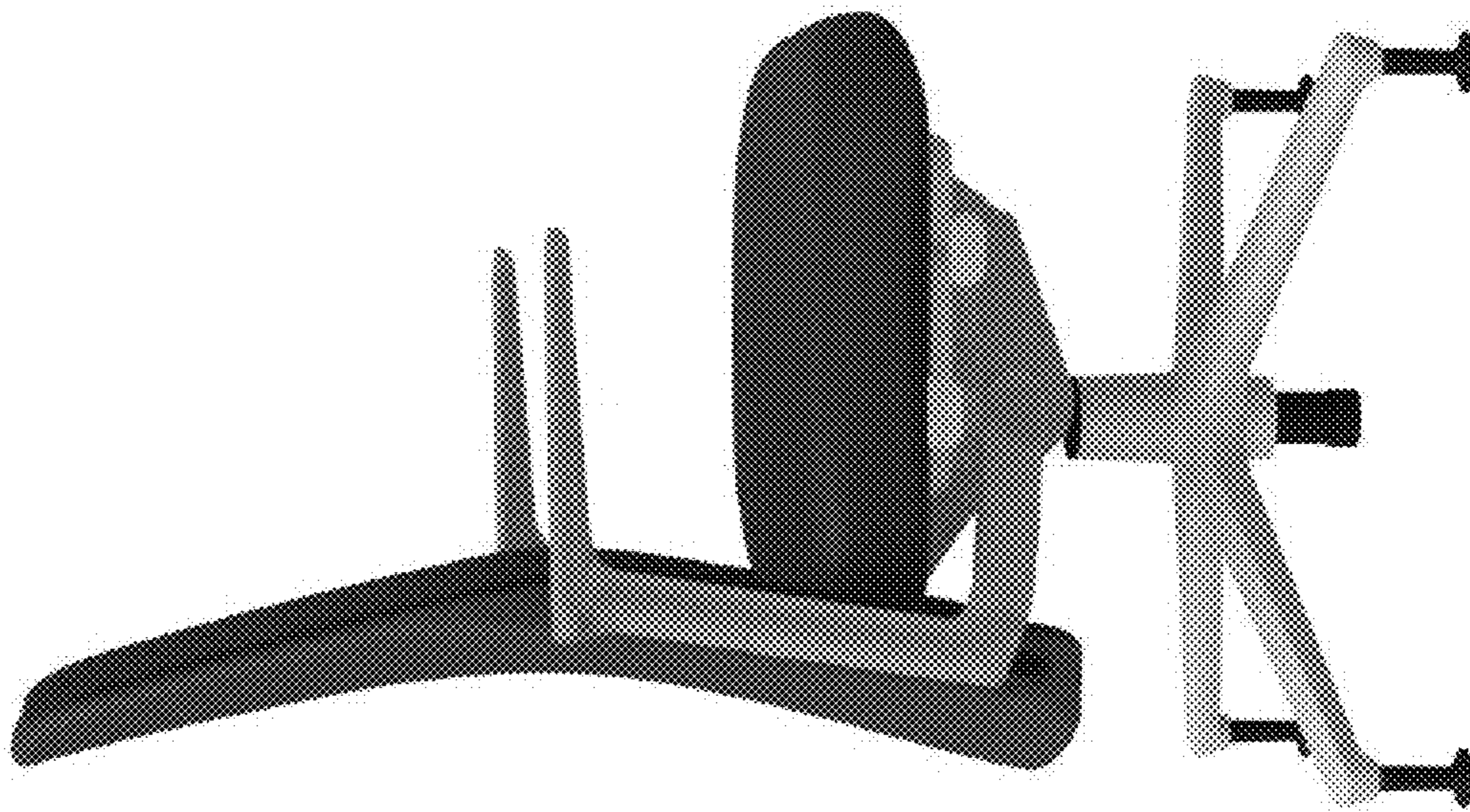


Fig. 3

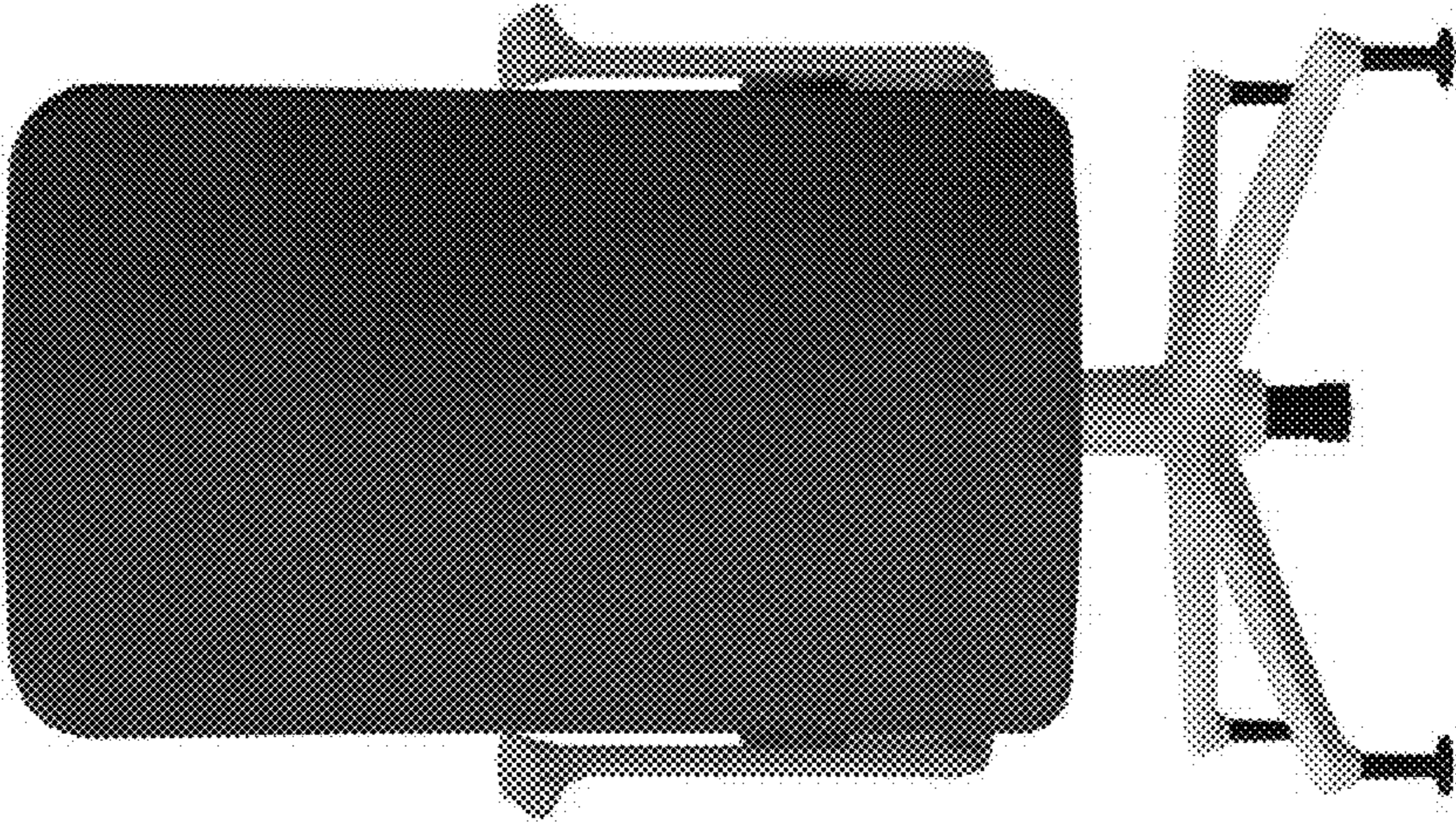


Fig. 4

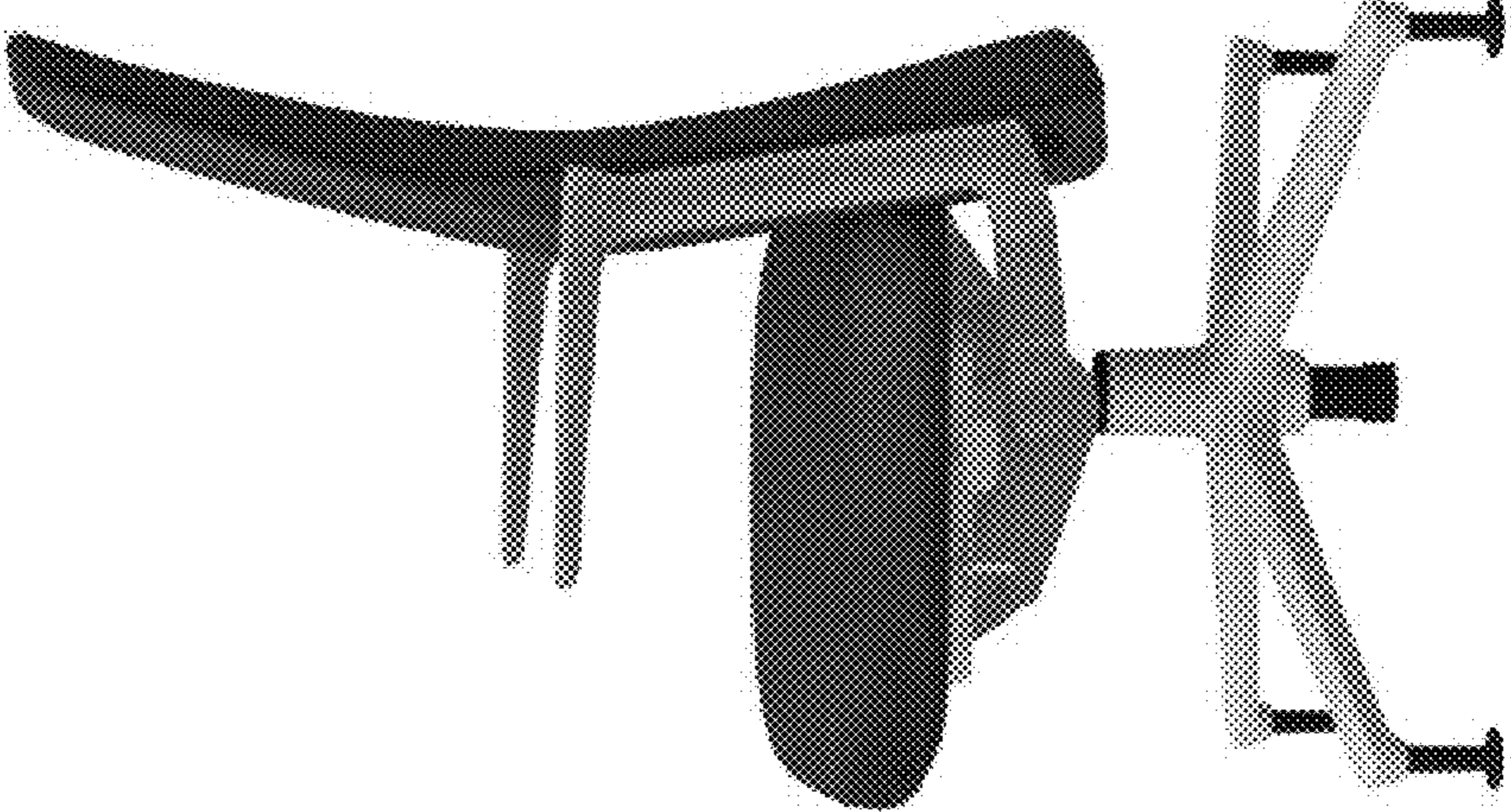


Fig. 5

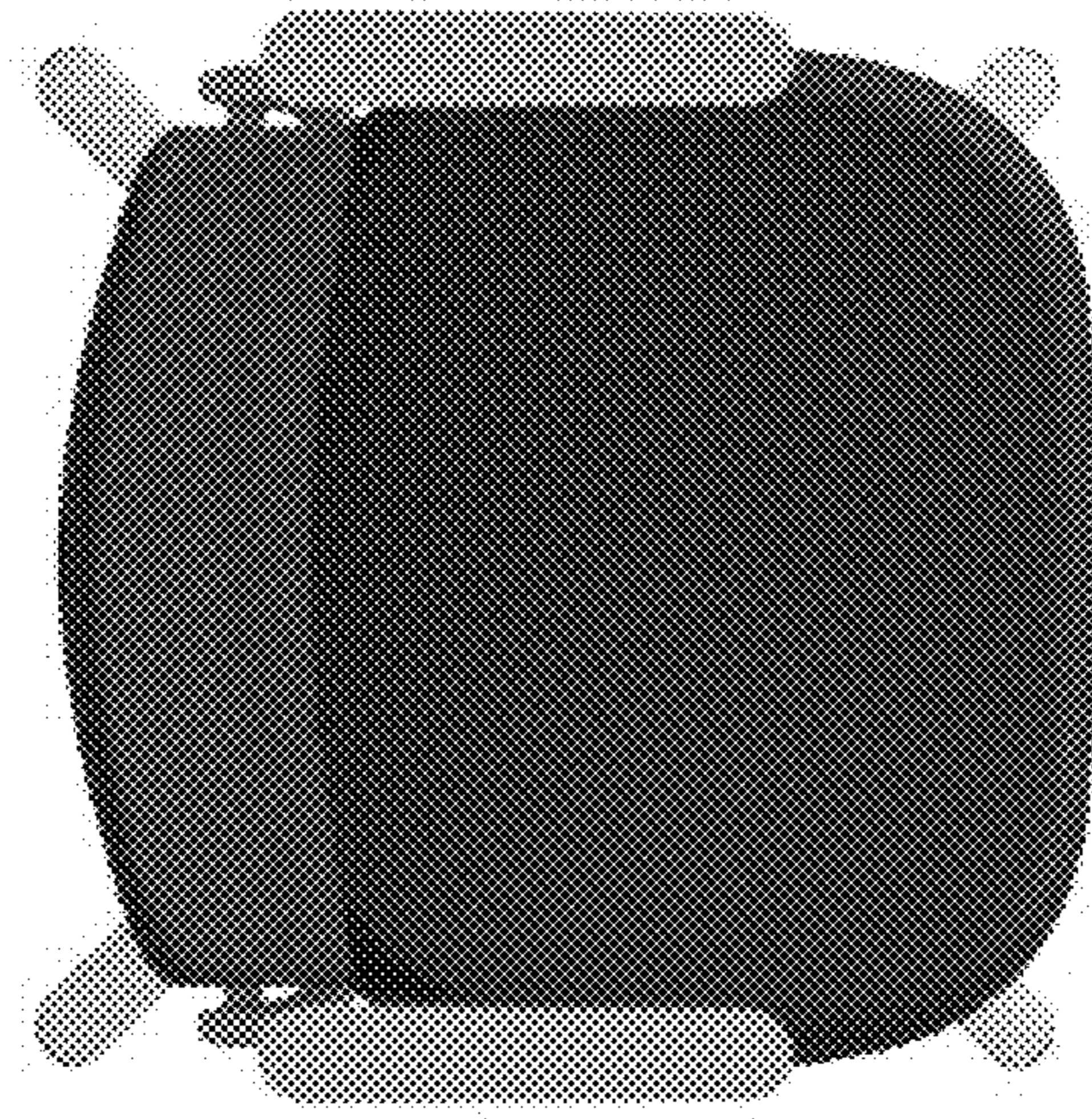
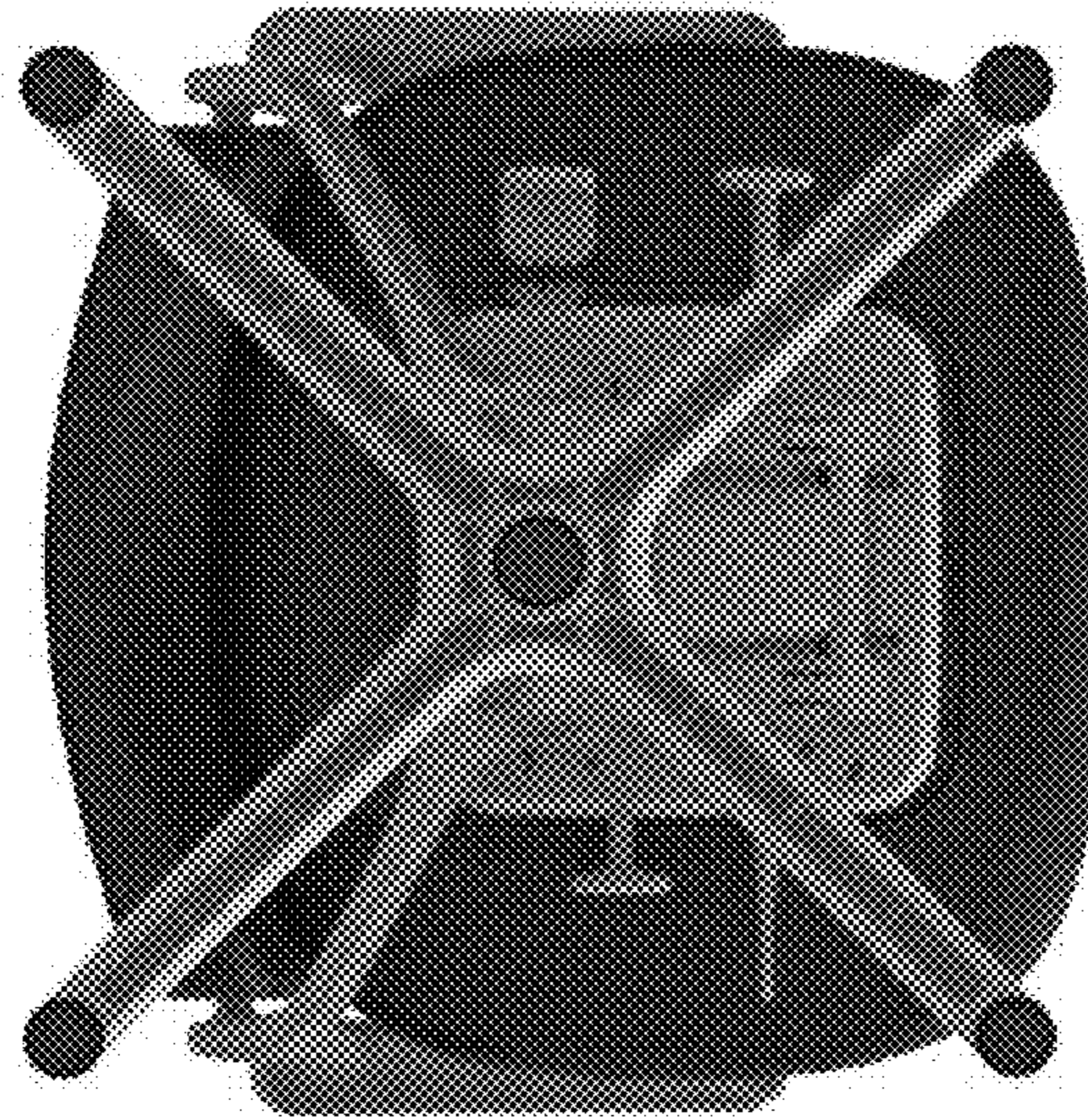


Fig. 6





**Fig. 7**