



US00D801716S

(12) **United States Design Patent**
Fukasawa

(10) **Patent No.:** **US D801,716 S**

(45) **Date of Patent:** **** *Nov. 7, 2017**

(54) **CHAIR**

(71) Applicant: **B&B ITALIA S.p.A.**, Milan (IT)

(72) Inventor: **Naoto Fukasawa**, Tokyo (JP)

(73) Assignee: **B&B ITALIA S.p.A.**, Milan (IT)

(*) Notice: This patent is subject to a terminal disclaimer.

(**) Term: **15 Years**

(21) Appl. No.: **29/542,013**

(22) Filed: **Oct. 9, 2015**

(30) **Foreign Application Priority Data**

Apr. 10, 2015 (IT) MI2015O0062

(51) **LOC (10) Cl.** **06-01**

(52) **U.S. Cl.**
USPC **D6/366; D6/334**

(58) **Field of Classification Search**
USPC D6/364-368, 374-375, 716; 297/448.1, 297/452.24, 452.26, 452.28, 297/452.32-452.33, 452.37
CPC A47C 7/02; A47C 7/44; A47C 7/46; A47C 7/48; A47C 7/54; A47C 7/386; A47C 7/462; A47C 1/10; A47C 1/031; B60N 2/02; B60N 2/22; B60N 2/44
See application file for complete search history.

(56) **References Cited**

U.S. PATENT DOCUMENTS

D197,643 S *	3/1964	Kramer	D6/366
D220,388 S *	4/1971	Kramer	D6/366
D255,183 S *	6/1980	Locher	D6/366
D346,909 S *	5/1994	Obata	D6/366
D503,047 S *	3/2005	Ryan	D6/365

D514,339 S *	2/2006	Glass	D6/366
D554,382 S *	11/2007	Nobles	D6/366
D554,386 S *	11/2007	Nobles	D6/366
D678,690 S *	3/2013	Eldoy	D6/366
D686,857 S *	7/2013	Fletcher	D6/716
D697,746 S *	1/2014	Kubryk	D6/716
D705,587 S *	5/2014	Caruso	D6/716
D731,222 S *	6/2015	Bosman	D6/716
D742,673 S *	11/2015	Dorigo	D6/375
2002/0047298 A1 *	4/2002	Brauning	A47C 3/04 297/448.1

OTHER PUBLICATIONS

Herman Miller [online] Retrieved on Jul. 1, 2016 from URL http://www.hermanmiller.com/content/hermanmiller/northamerica/en_us/home/design-resources/images.html?text=HermanMiller:Products/Setu Chair.*

* cited by examiner

Primary Examiner — Manpreet Matharu

Assistant Examiner — Keith Wilson

(74) *Attorney, Agent, or Firm* — Thomas | Horstemeyer, LLP

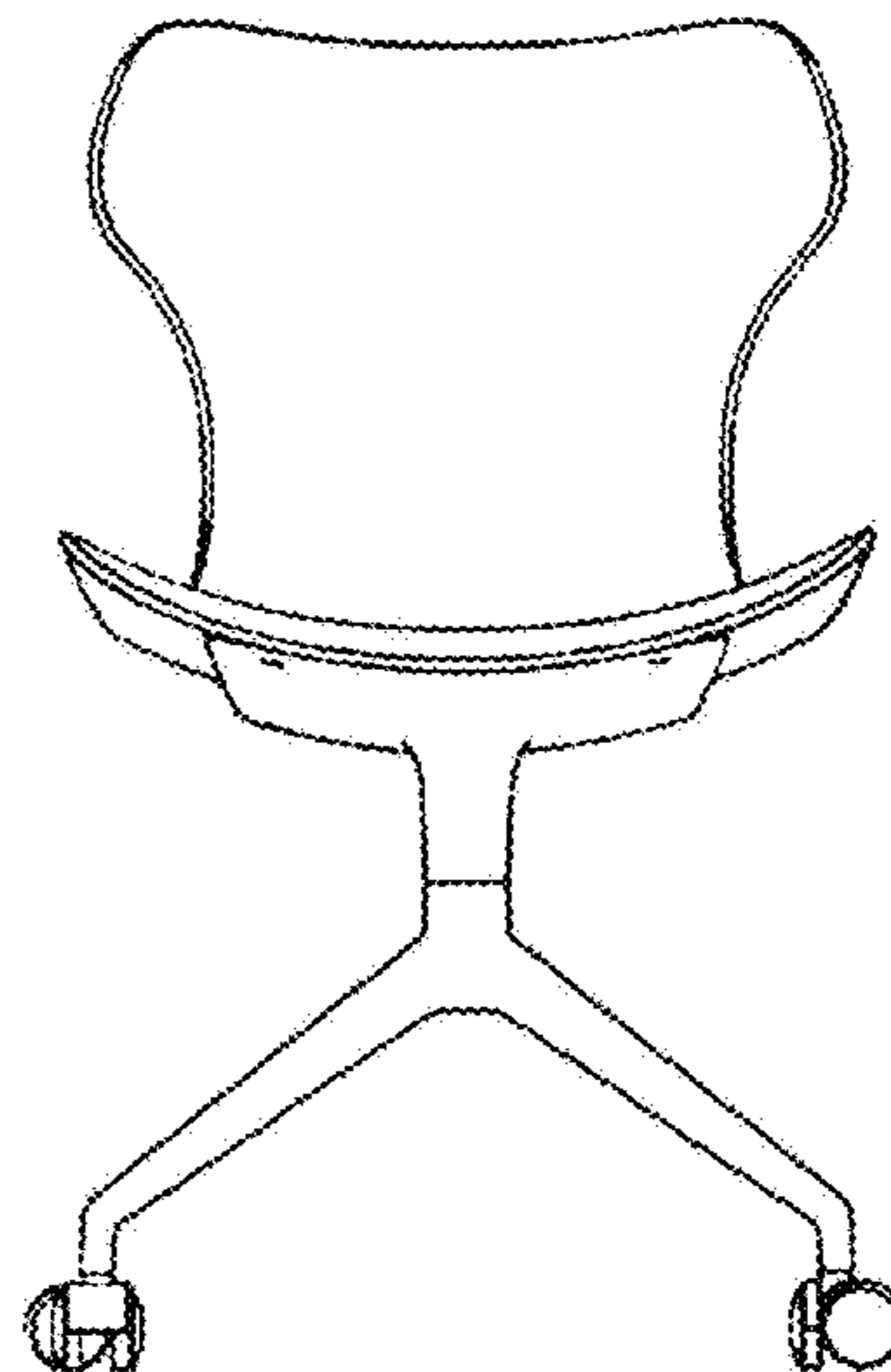
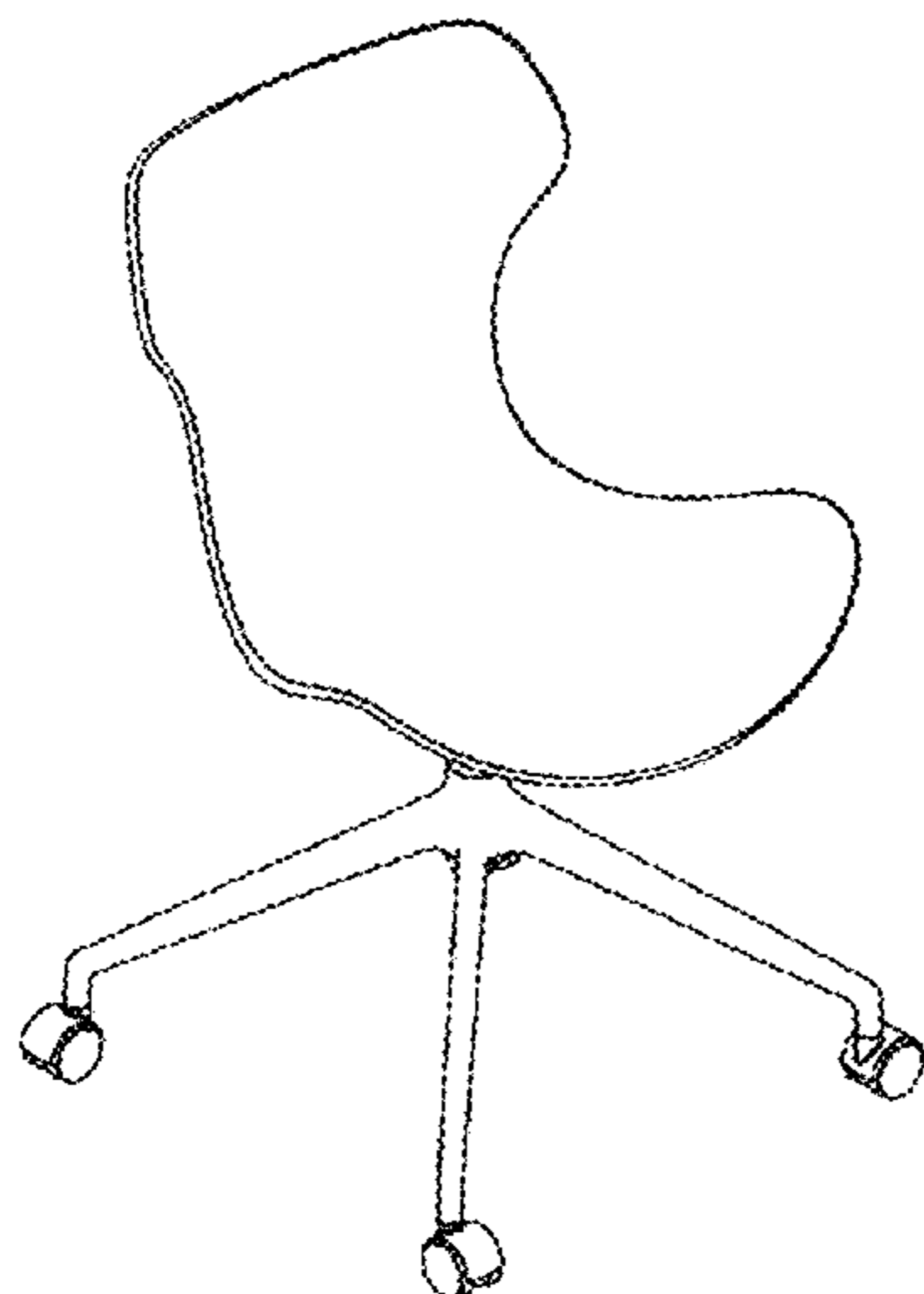
(57) **CLAIM**

The ornamental design for the chair, as shown and described.

DESCRIPTION

FIG. 1 is a front perspective view showing a chair; FIG. 2 is a front view of the chair of FIG. 1; FIG. 3 is a rear view of the chair of FIG. 1; FIG. 4 is a side view of the chair of FIG. 1; FIG. 5 is a side view of the chair of FIG. 1 from a side opposite that of FIG. 4; FIG. 6 is a top plan view of the chair of FIG. 1; and, FIG. 7 is a bottom plan view of the chair of FIG. 1.

1 Claim, 7 Drawing Sheets



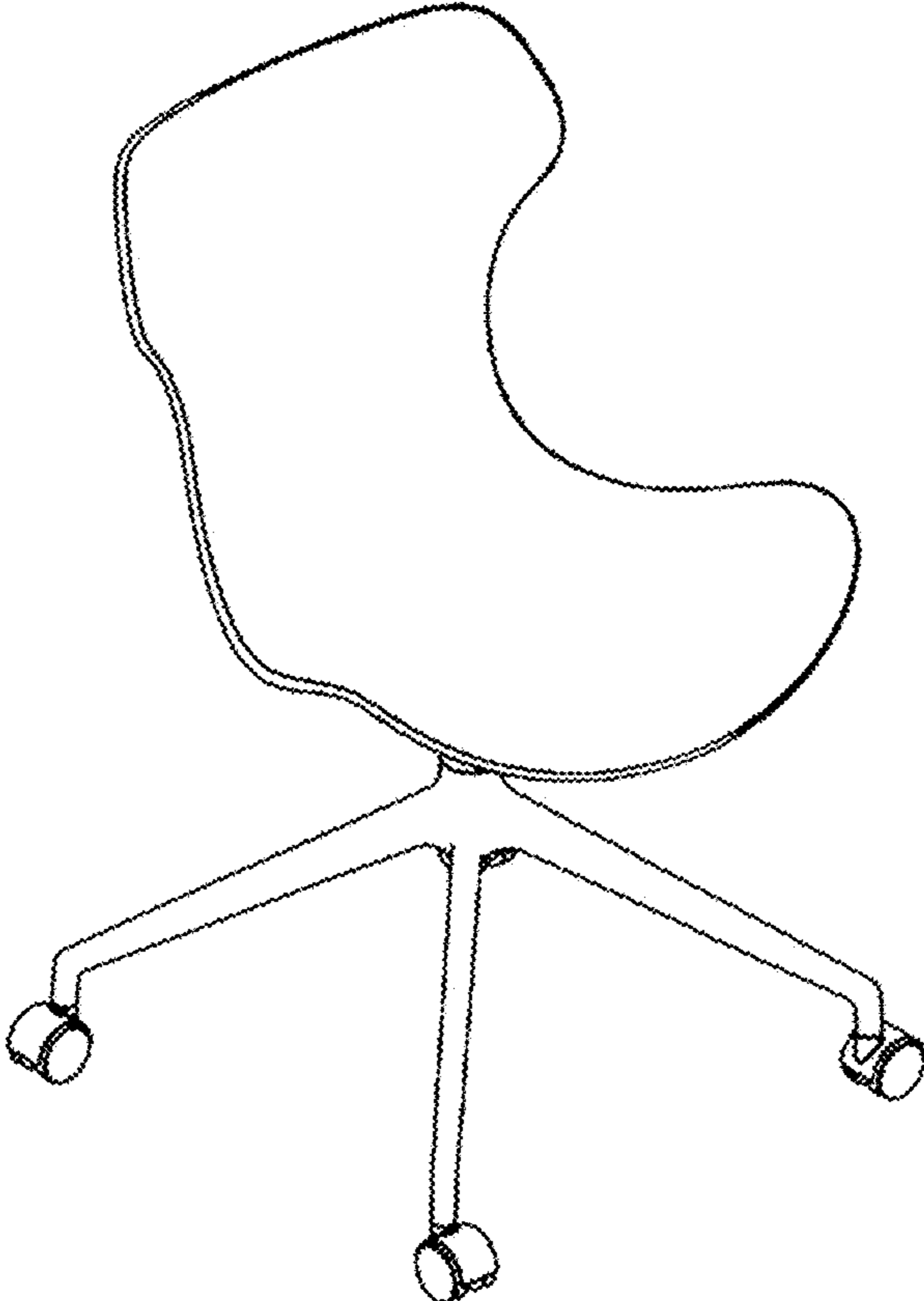


FIG. 1

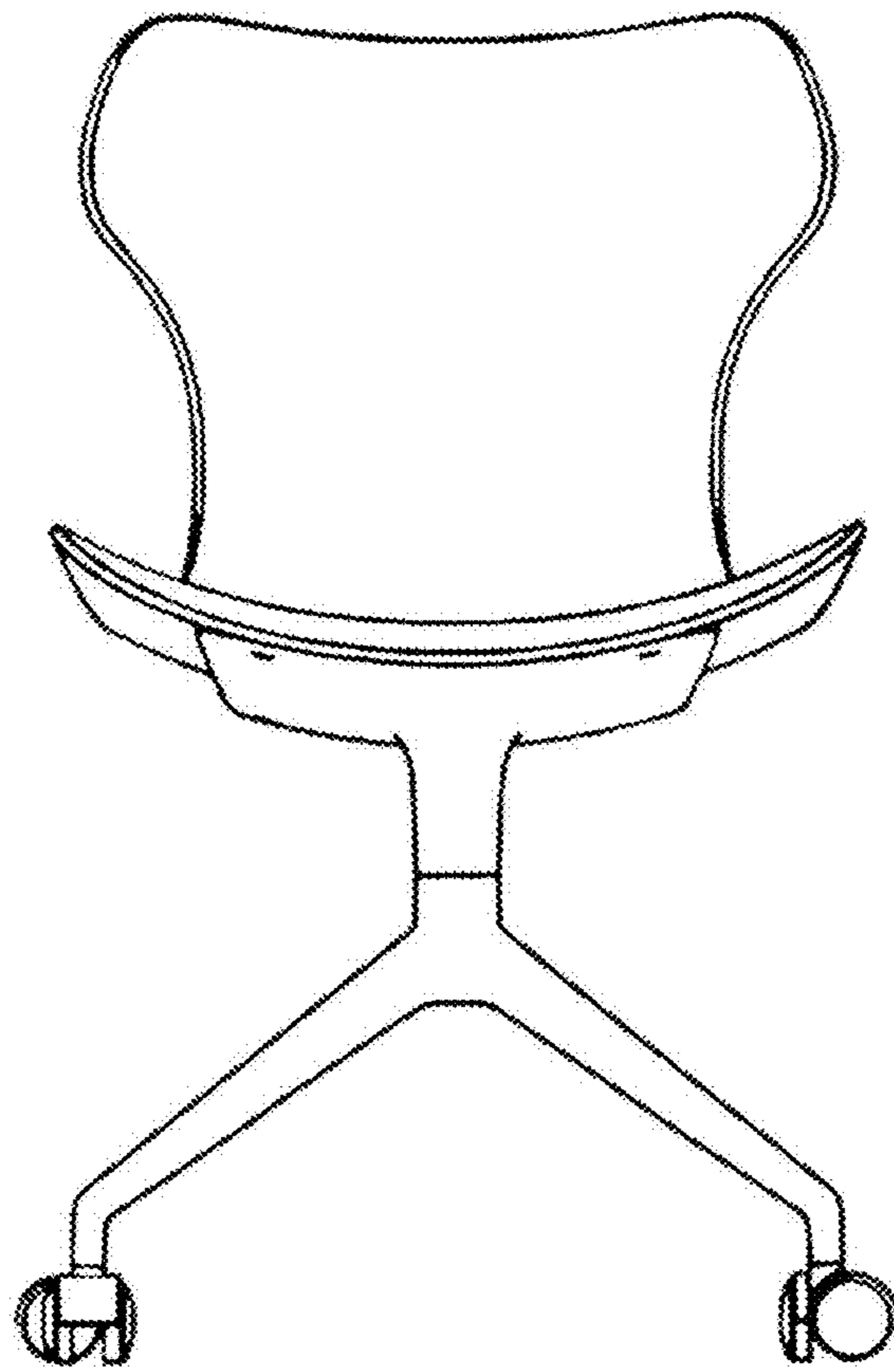


FIG. 2

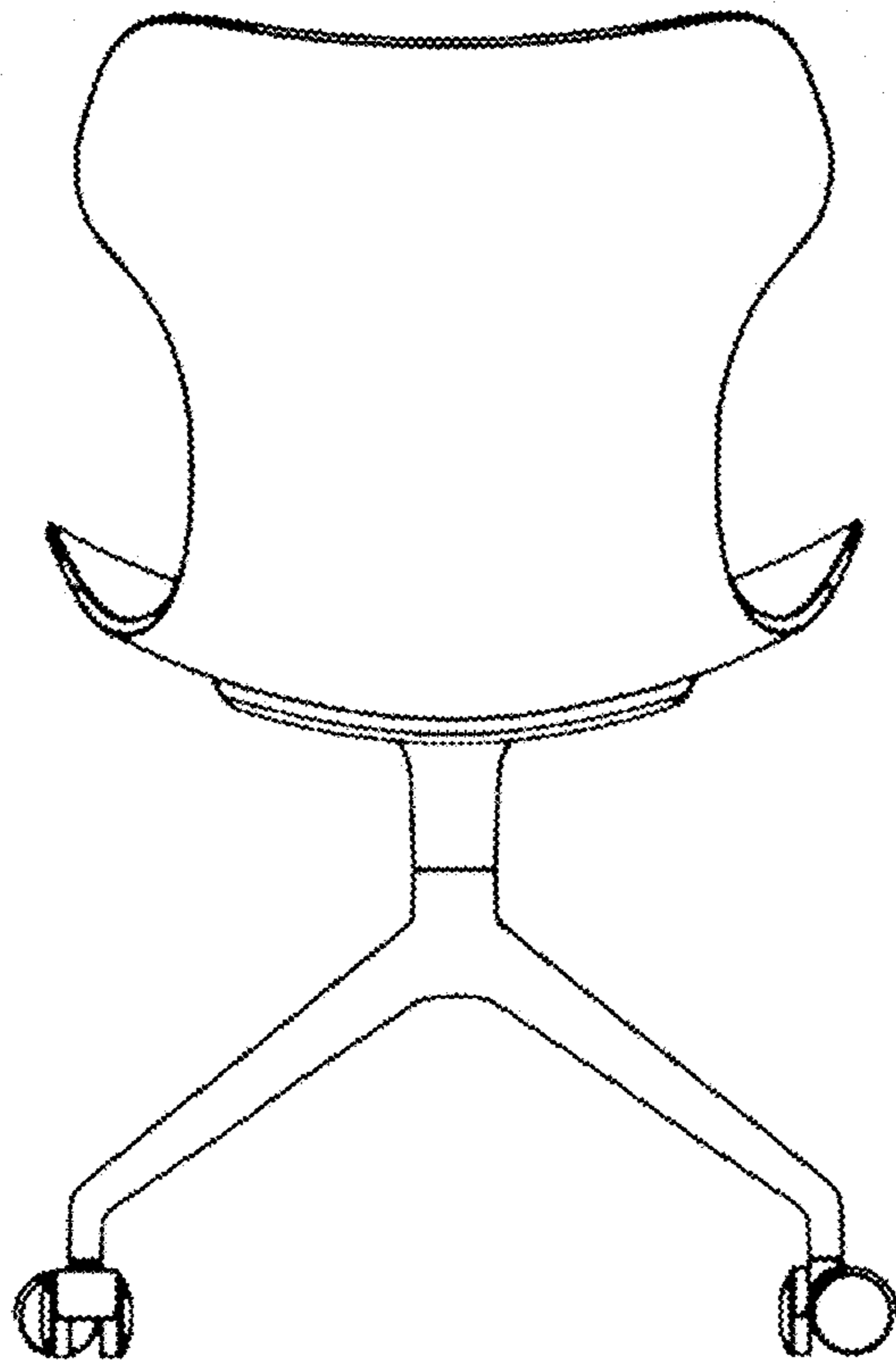


FIG. 3

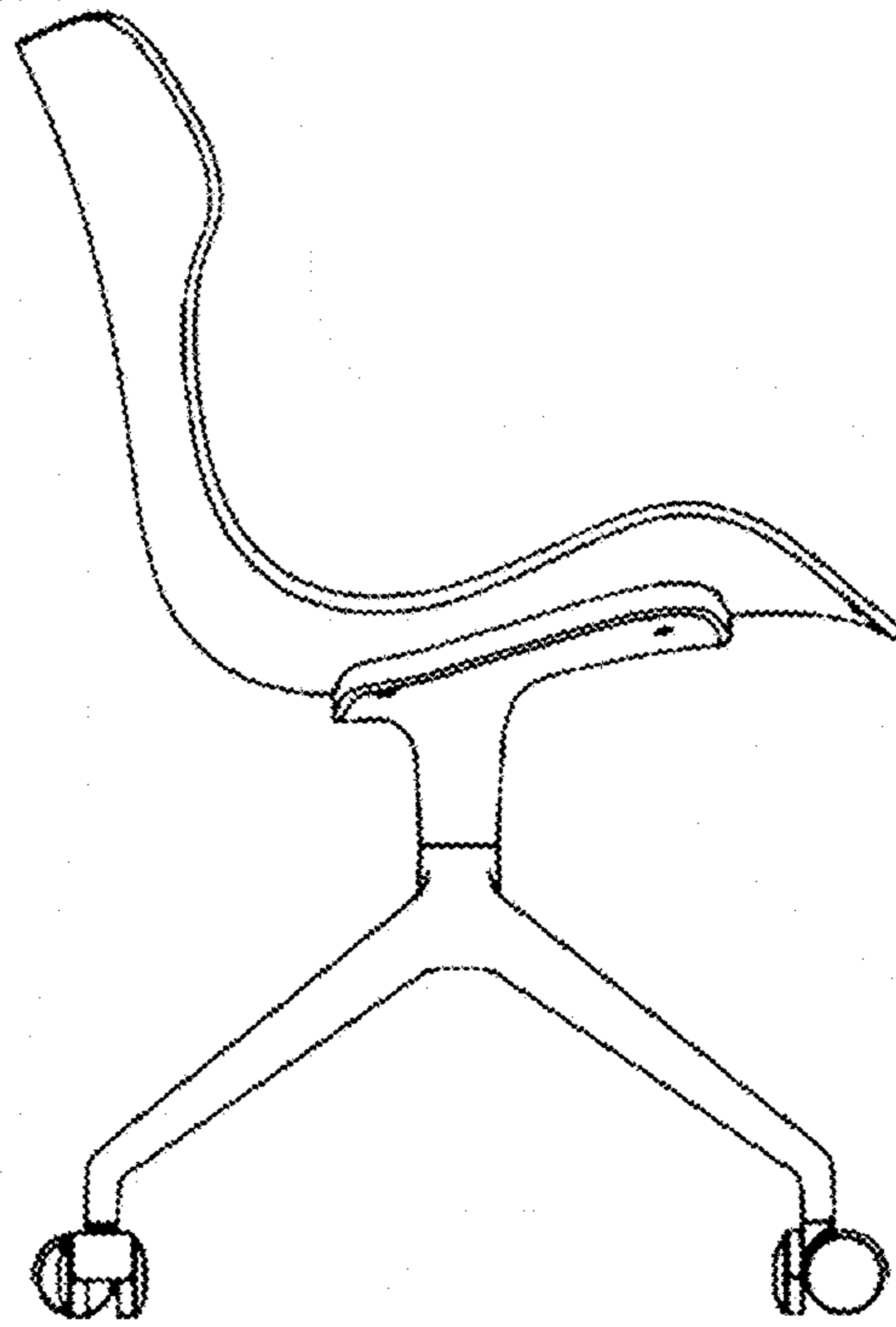


FIG. 4

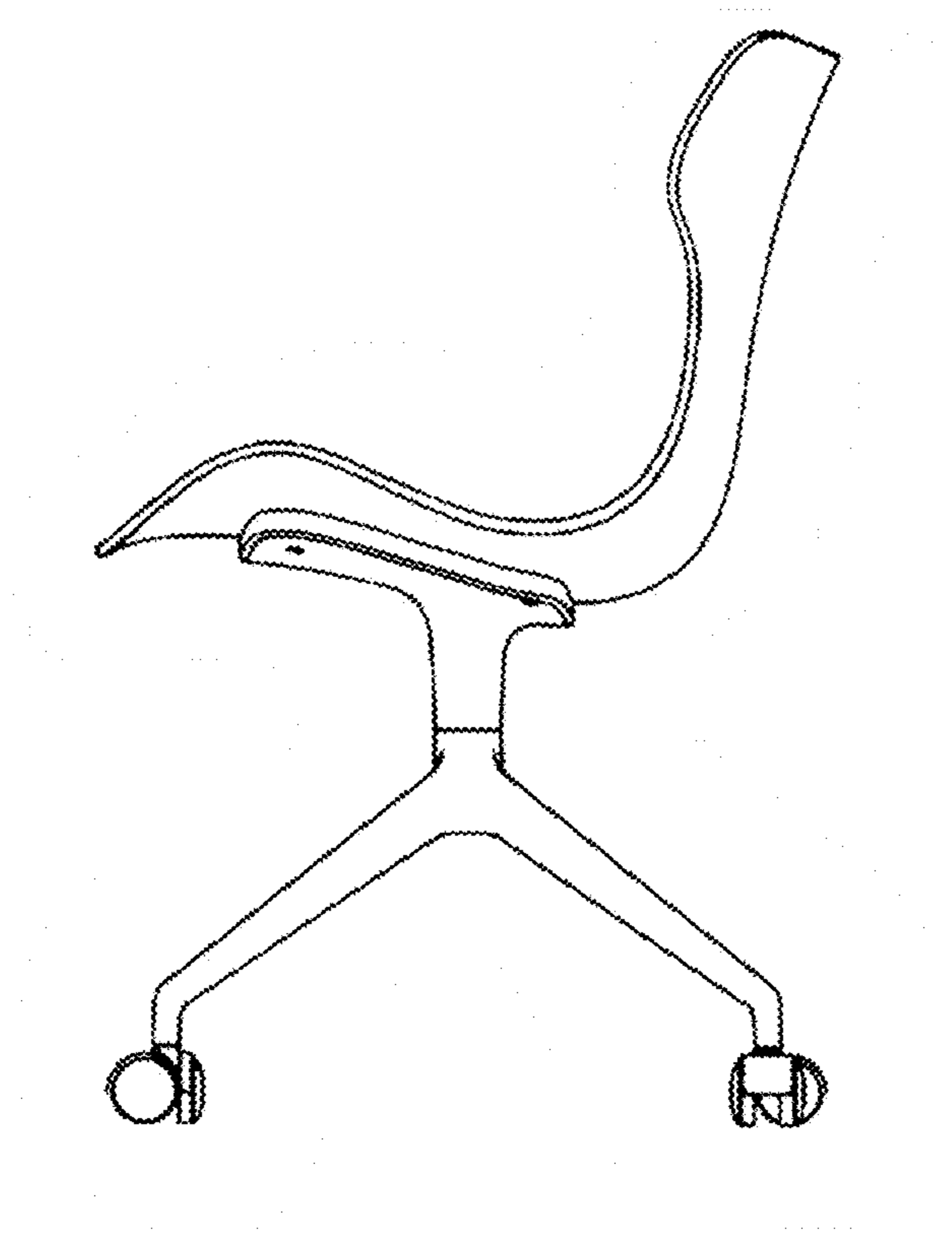


FIG. 5

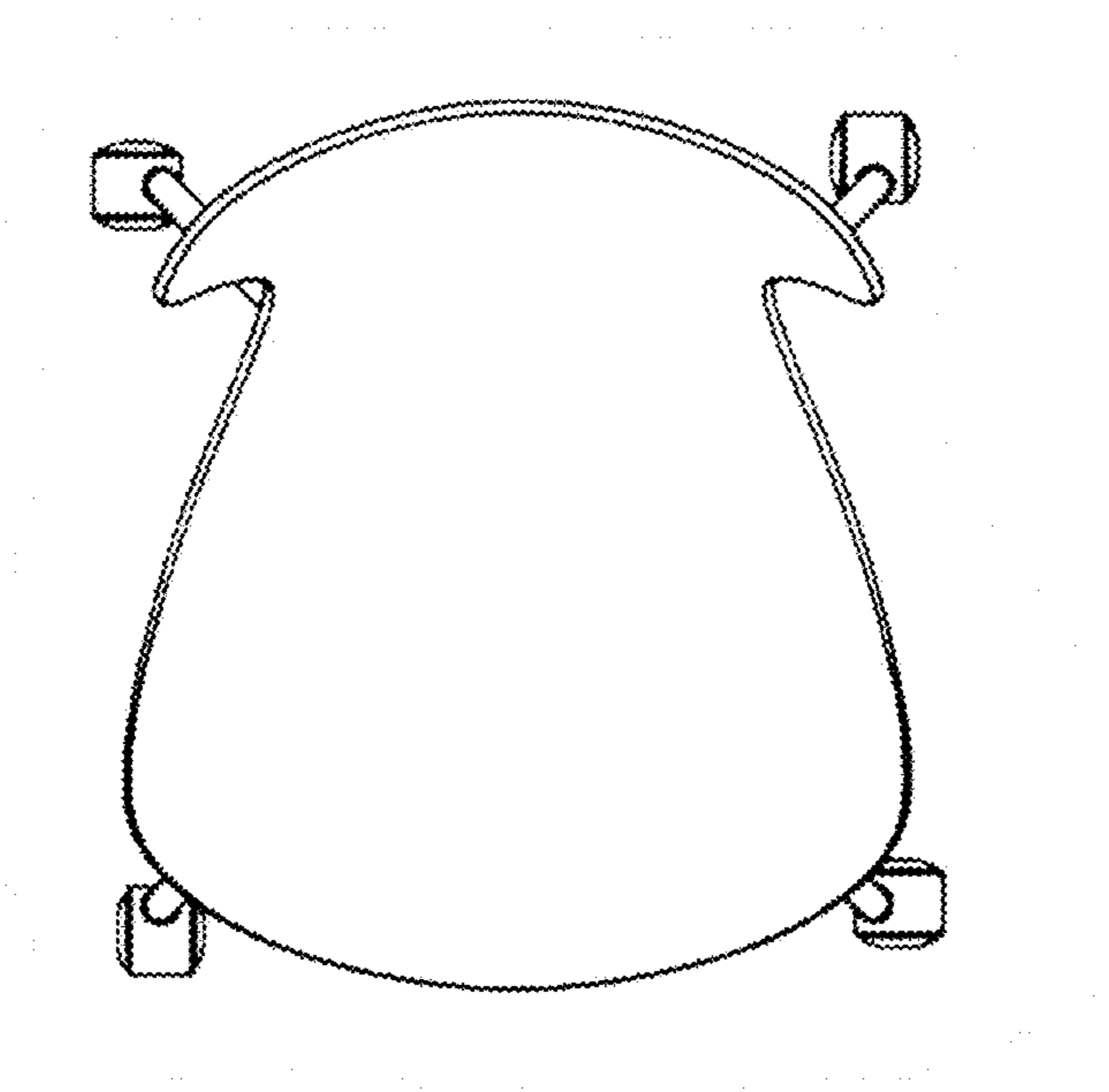


FIG. 6

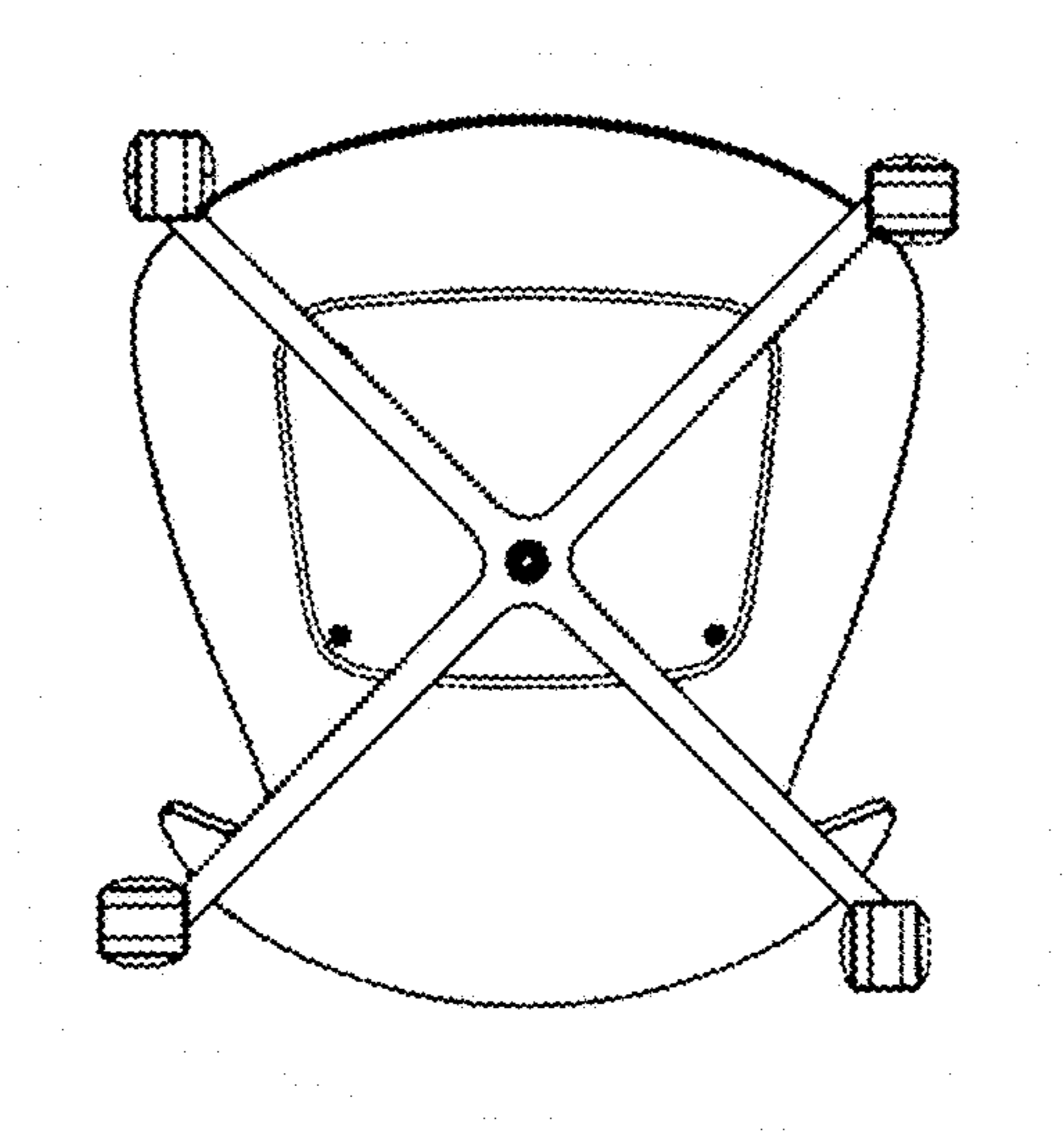


FIG. 7