



US00D801715S

(12) **United States Design Patent** (10) **Patent No.:** **US D801,715 S**
Stoter (45) **Date of Patent:** **** Nov. 7, 2017**

(54) **LOUNGER**
(71) Applicant: **VIVERE LTD.**, Guelph (CA)
(72) Inventor: **Jason Stoter**, Guelph (CA)
(73) Assignee: **VIVERE, LTD.**, Guelph (CA)
(**) Term: **15 Years**

D490,618 S * 6/2004 Green D6/361
D522,259 S * 6/2006 Wu D6/347
D751,833 S * 3/2016 Lv D6/348
D766,001 S * 9/2016 Stoter D6/347
D771,962 S * 11/2016 Weng D6/347
D774,786 S * 12/2016 Stoter D6/347
D775,844 S * 1/2017 Weng D6/361
D778,076 S * 2/2017 Shen D6/347
D780,496 S * 3/2017 Stoter D6/347
D781,060 S * 3/2017 Zhang D6/348
D786,572 S * 5/2017 Shen D6/347

(21) Appl. No.: **29/585,435**

* cited by examiner

(22) Filed: **Nov. 23, 2016**

Primary Examiner — Ricky Pham

Related U.S. Application Data

(74) *Attorney, Agent, or Firm* — Hodgson Russ LLP

(62) Division of application No. 29/517,234, filed on Feb. 11, 2015, now Pat. No. Des. 774,786.

(51) **LOC (10) Cl.** **06-01**

(57) **CLAIM**

The ornamental design for a lounge, as shown and described.

(52) **U.S. Cl.**

USPC **D6/361**

DESCRIPTION

(58) **Field of Classification Search**

USPC D6/334–336, 347, 348, 361, 368,
D6/374–380, 708.16, 716, 716.1–716.8
CPC A47C 1/035; A47C 1/143; A47C 4/06;
A47C 4/12; A47C 4/14; A47C 4/28;
A47C 4/30; A47C 7/50; A47C 7/506;
A61G 5/00

See application file for complete search history.

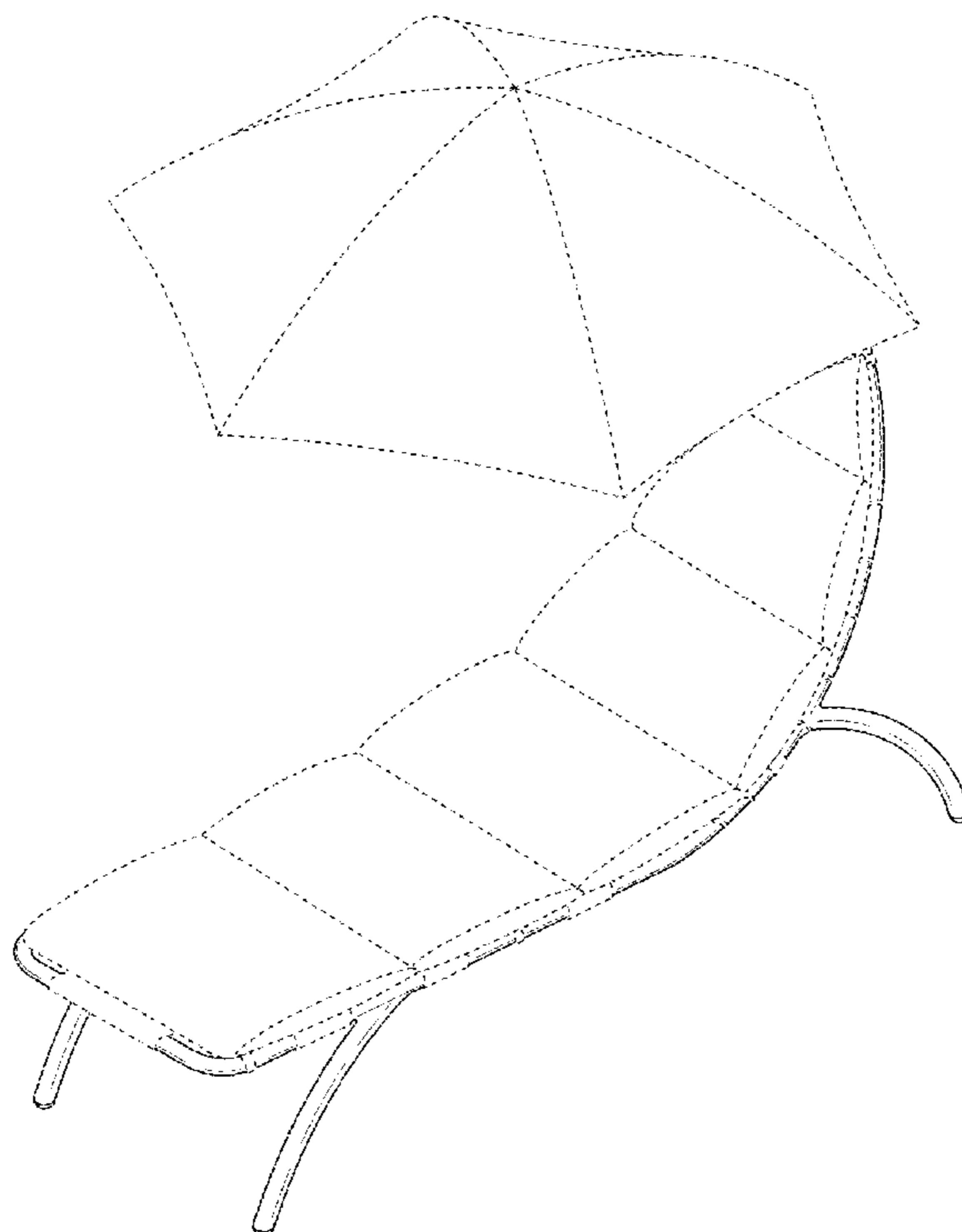
FIG. 1 is a perspective view of a lounge showing my new design;
FIG. 2 is a front elevational view thereof;
FIG. 3 is a rear elevational view thereof;
FIG. 4 is a right side elevational view thereof, the left side elevational view (not shown) being mirror-symmetrical thereto;
FIG. 5 is a top plan view thereof; and,
FIG. 6 is a bottom plan view thereof.
The broken lines illustrate unclaimed portions and form no part of the claimed design.

(56) **References Cited**

U.S. PATENT DOCUMENTS

D379,270 S * 5/1997 Voyce D6/347
D446,660 S * 8/2001 Plier D6/361

1 Claim, 6 Drawing Sheets



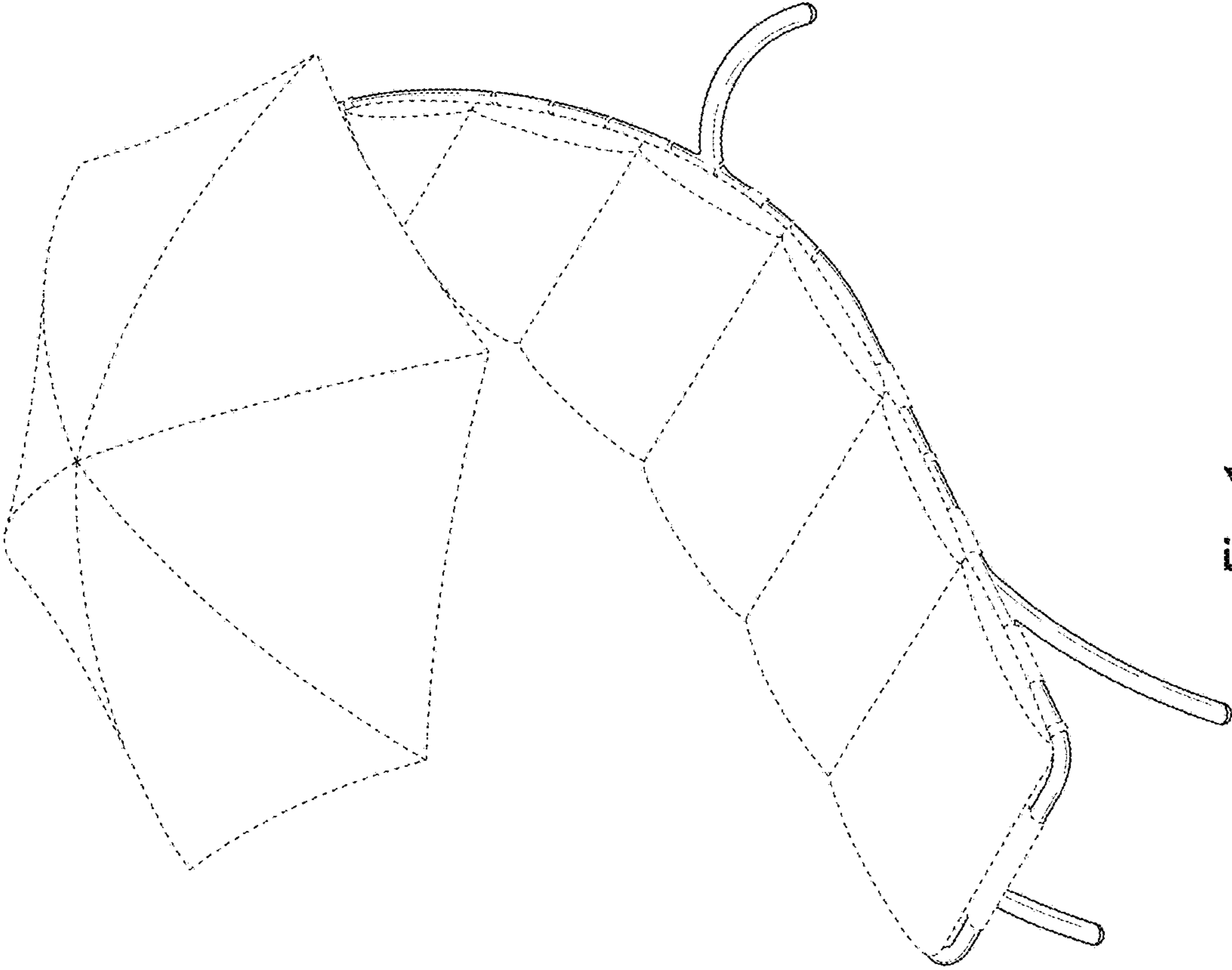


Fig. 1

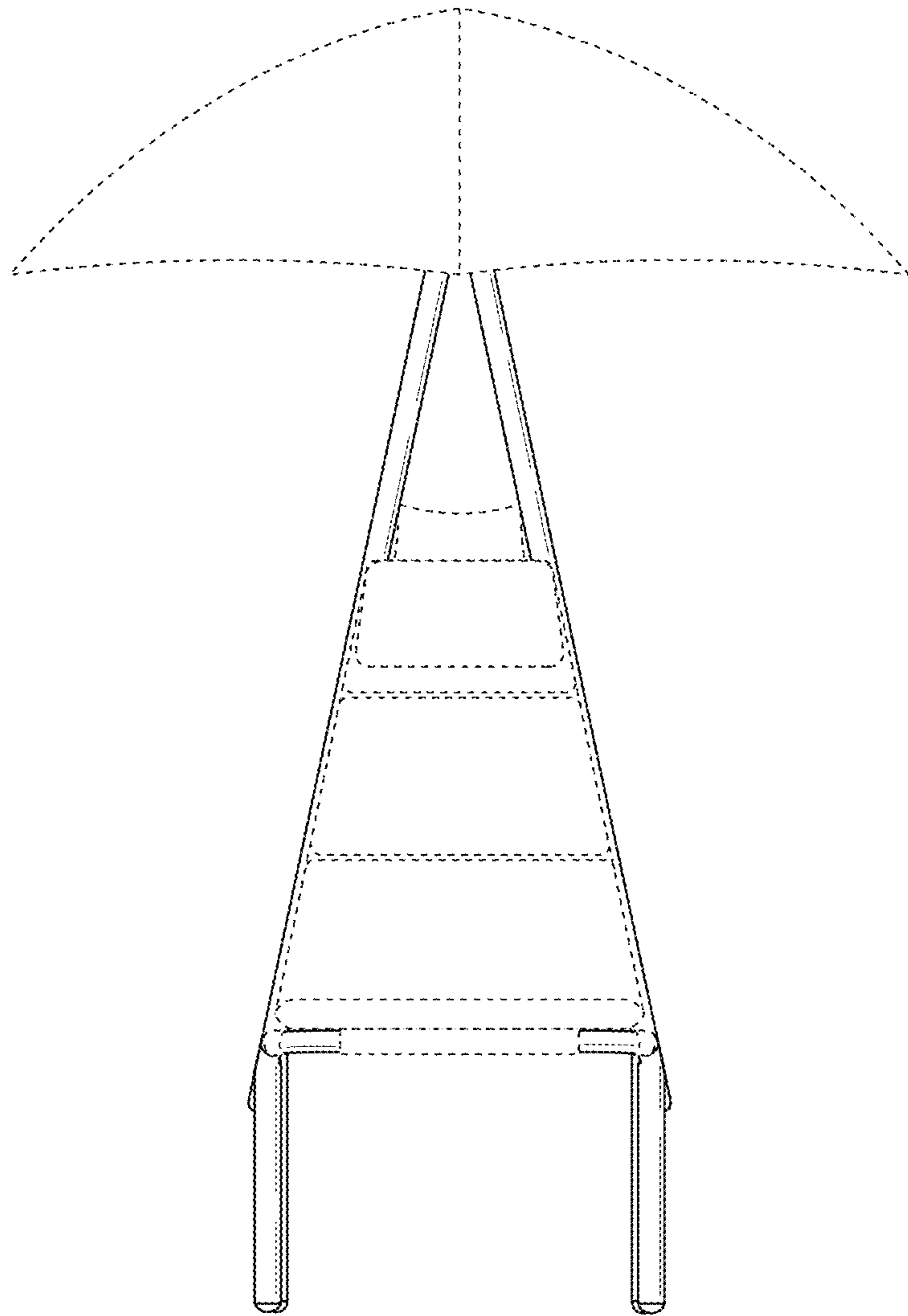


Fig. 2

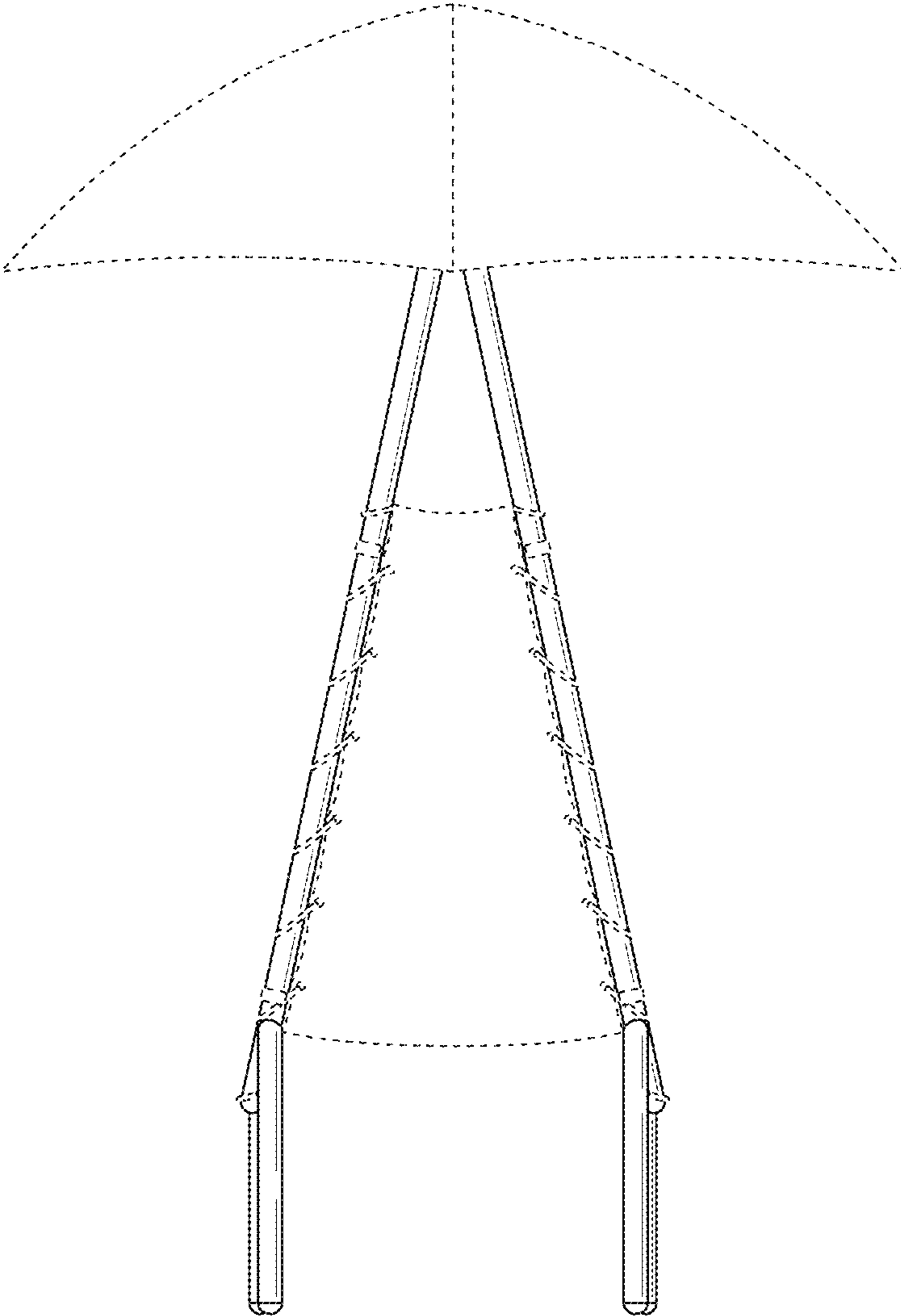


Fig. 3

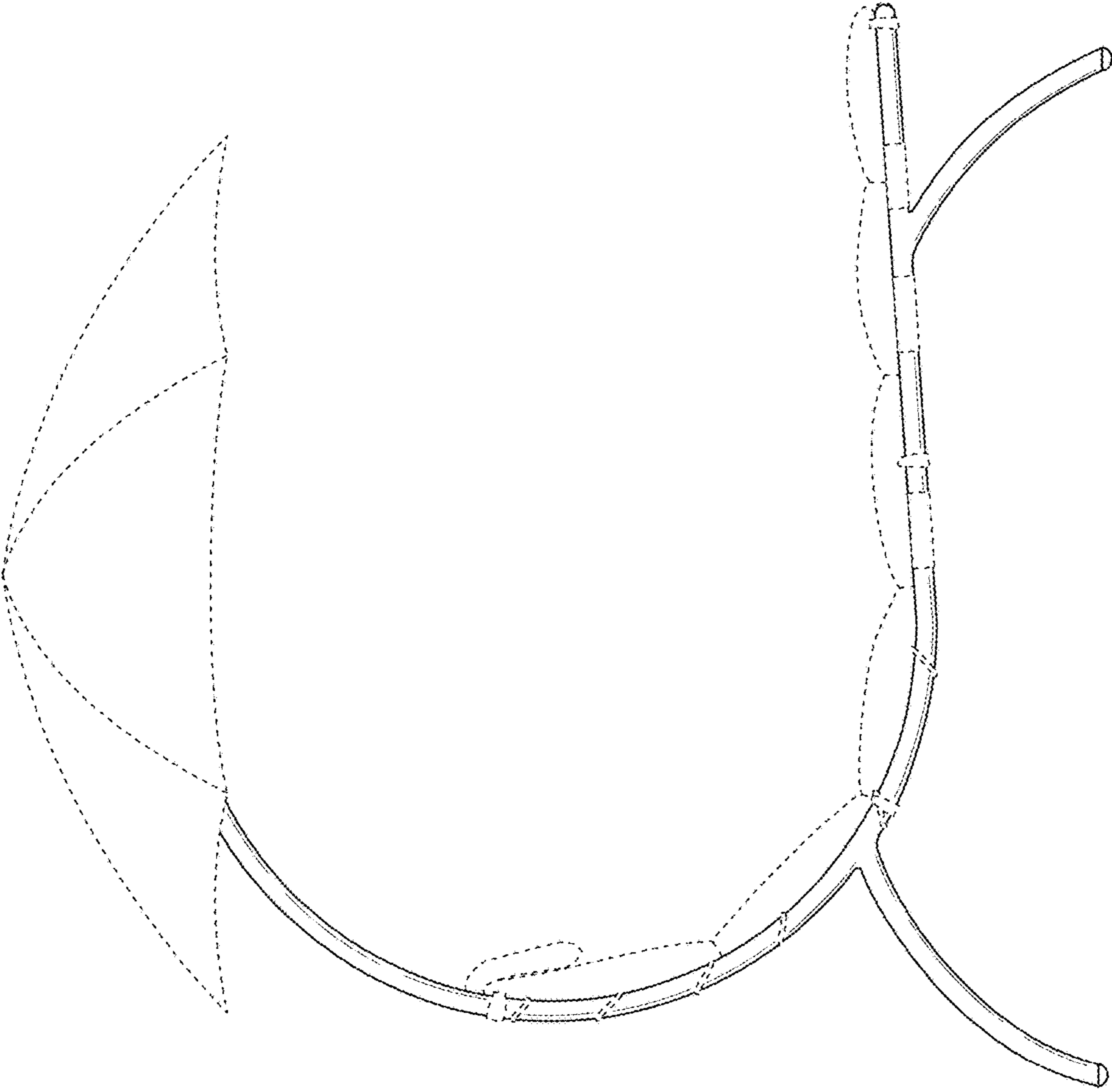


Fig. 4

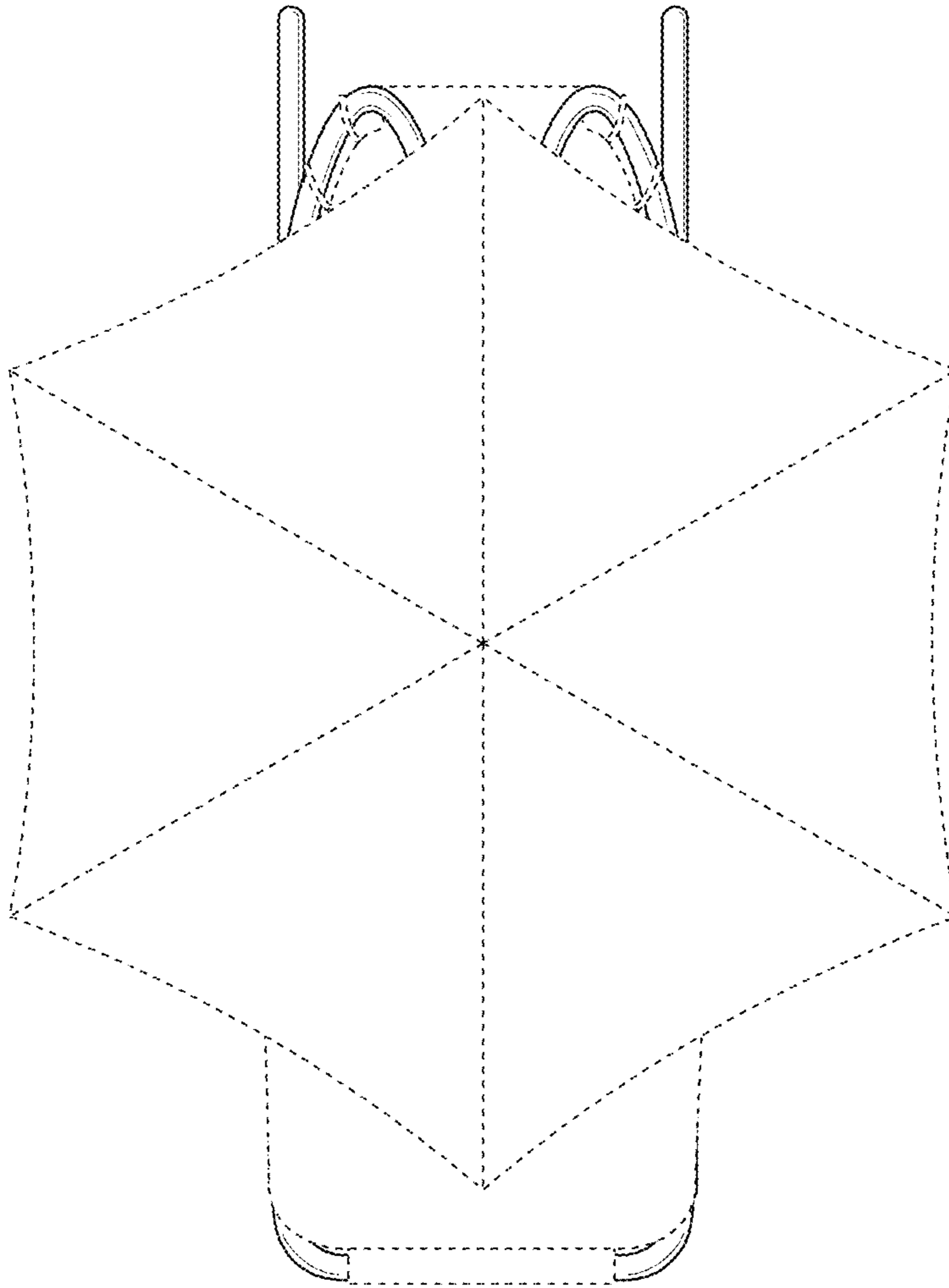


Fig. 5

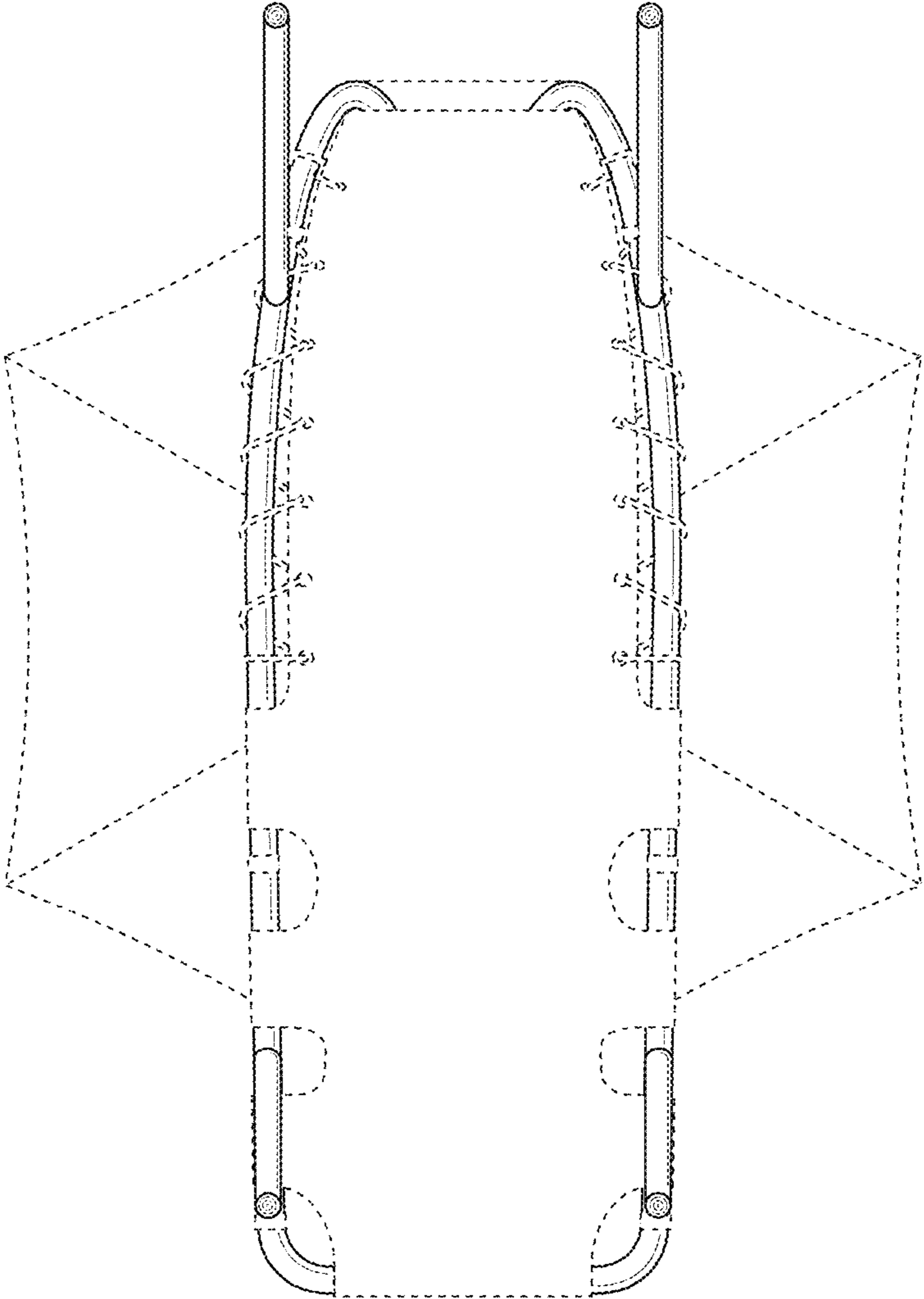


Fig. 6