



US00D801714S

(12) **United States Design Patent**
Elmaleh

(10) **Patent No.:** **US D801,714 S**

(45) **Date of Patent:** **** Nov. 7, 2017**

(54) **STOOL WITH RING PISTON ACTUATOR**

(71) Applicant: **KORE DESIGN LLC**, Brooklyn, NY
(US)

(72) Inventor: **Jon Elmaleh**, Brooklyn, NY (US)

(73) Assignee: **KORE DESIGN LLC**, Brooklyn, NY
(US)

(**) Term: **15 Years**

(21) Appl. No.: **29/580,468**

(22) Filed: **Oct. 10, 2016**

(51) **LOC (10) Cl.** **06-01**

(52) **U.S. Cl.**
USPC **D6/352**

(58) **Field of Classification Search**
USPC D6/334, 349–355, 358, 360–368,
D6/371–374, 403, 405, 601, 604, 657,
D6/675.4, 685, 688.17, 690, 691–691.9,
D6/692–692.6, 693–693.3, 695, 708,
D6/708.2, 708.15–708.25, 709.11;
D25/62–65

CPC A47C 9/02; A47C 9/007; A47C 9/027;
A47C 7/002; A47C 7/18; A47C 16/02;
A47C 16/04; A47C 3/18; A47C 3/203;
A47C 12/00; A47C 13/00; A47B 7/00;
A47B 7/02; A47B 9/00; A47B 13/02;
A47B 23/00; A47B 39/00

See application file for complete search history.

(56) **References Cited**

U.S. PATENT DOCUMENTS

D93,968 S * 12/1934 Brower D6/692.3
D237,564 S * 11/1975 Laylon D6/692.3
D292,147 S * 10/1987 Lomedico D6/349
5,044,587 A * 9/1991 Degen A47C 3/025
108/150
5,425,313 A * 6/1995 Rowan A47B 1/00
108/140

D523,251 S * 6/2006 Parpala D6/352
D668,464 S * 10/2012 Du D6/353
D686,829 S * 7/2013 Elmaleh D6/352
D721,526 S * 1/2015 Bosman D6/692.3
D740,041 S * 10/2015 Chadwick A47C 3/029
D6/352
D745,287 S * 12/2015 Chadwick D6/352
D746,073 S * 12/2015 Elmaleh D6/349
D748,924 S * 2/2016 Walser D6/352
D764,196 S * 8/2016 Handler D6/352
D764,200 S * 8/2016 Elmaleh D6/349
D779,706 S * 2/2017 Starck D26/93

(Continued)

OTHER PUBLICATIONS

Tall Executive Kore High Rise Chair. [online] Published on Nov. 19, 2016. Retrieved Sep. 5, 2017 from URL:<http://www.healthyposturestore.com/seating/active-sitting-chairs/tall-executive-kore-high-rise-chair-by-kore-design/>.*

(Continued)

Primary Examiner — Vy N Koenig
(74) *Attorney, Agent, or Firm* — Notaro, Michalos & Zaccaria P.C.

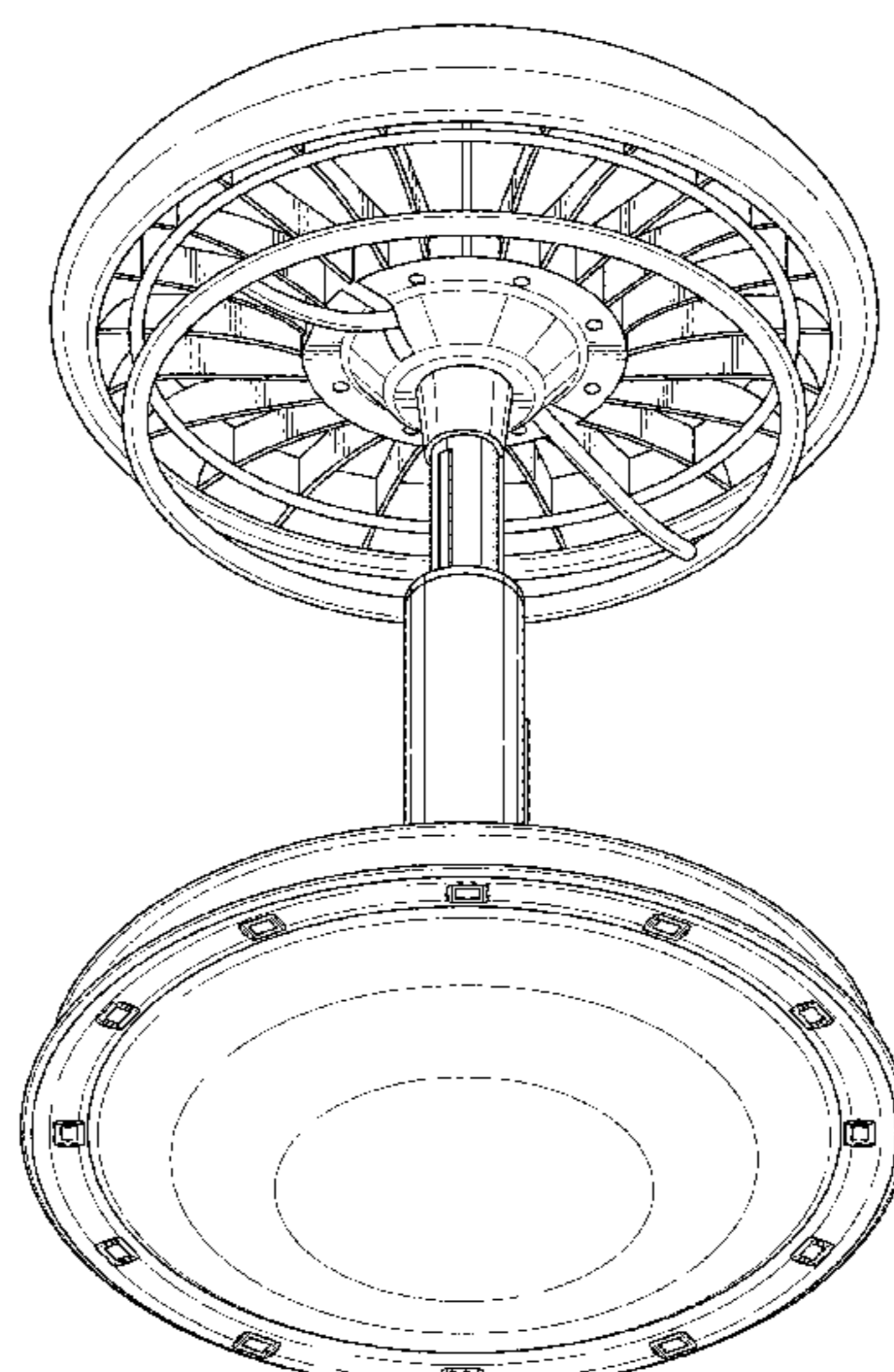
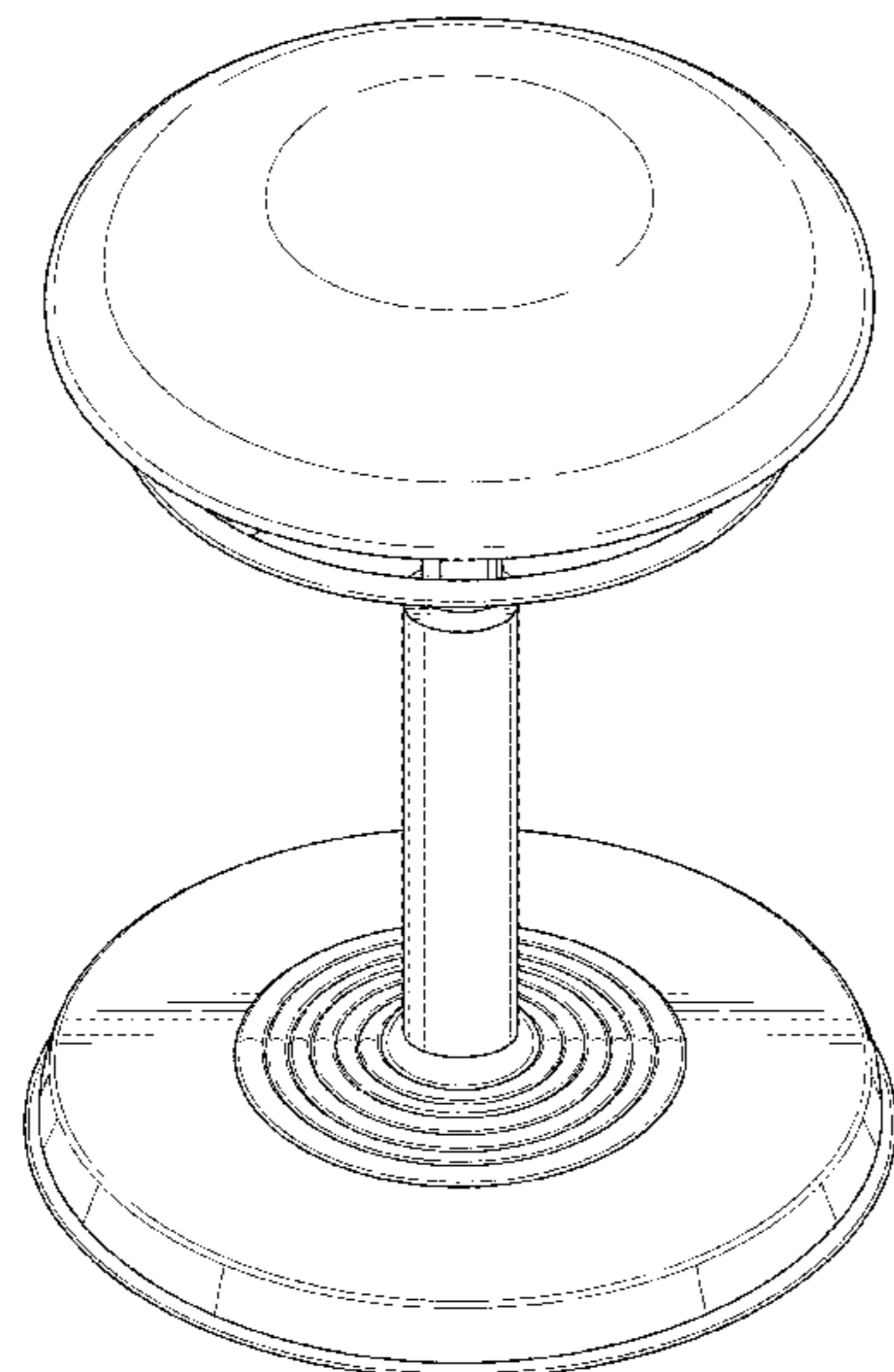
(57) **CLAIM**

The ornamental design for a stool with ring piston actuator, as shown and described.

DESCRIPTION

FIG. 1 is a top perspective view of a stool with ring piston actuator showing my new design therefor;
FIG. 2 is a bottom perspective view thereof;
FIG. 3 is a front elevational view, the rear view being a mirror image thereof;
FIG. 4 is a right side elevational view, the left side view being a mirror image thereof;
FIG. 5 is a top plan view thereof; and,
FIG. 6 is a bottom plan view thereof.

1 Claim, 6 Drawing Sheets



(56)

References Cited

U.S. PATENT DOCUMENTS

D788,584 S * 6/2017 Chen D9/456
2009/0001788 A1 * 1/2009 Lenz A47C 9/002
297/217.4

OTHER PUBLICATIONS

Wobble Stool Active Sitting Chair. [online] Retrieved Sep. 5, 2017
from URL:<https://www.standupdeskstore.com/wobble-stool-active-standing-desk-chair>.*

* cited by examiner

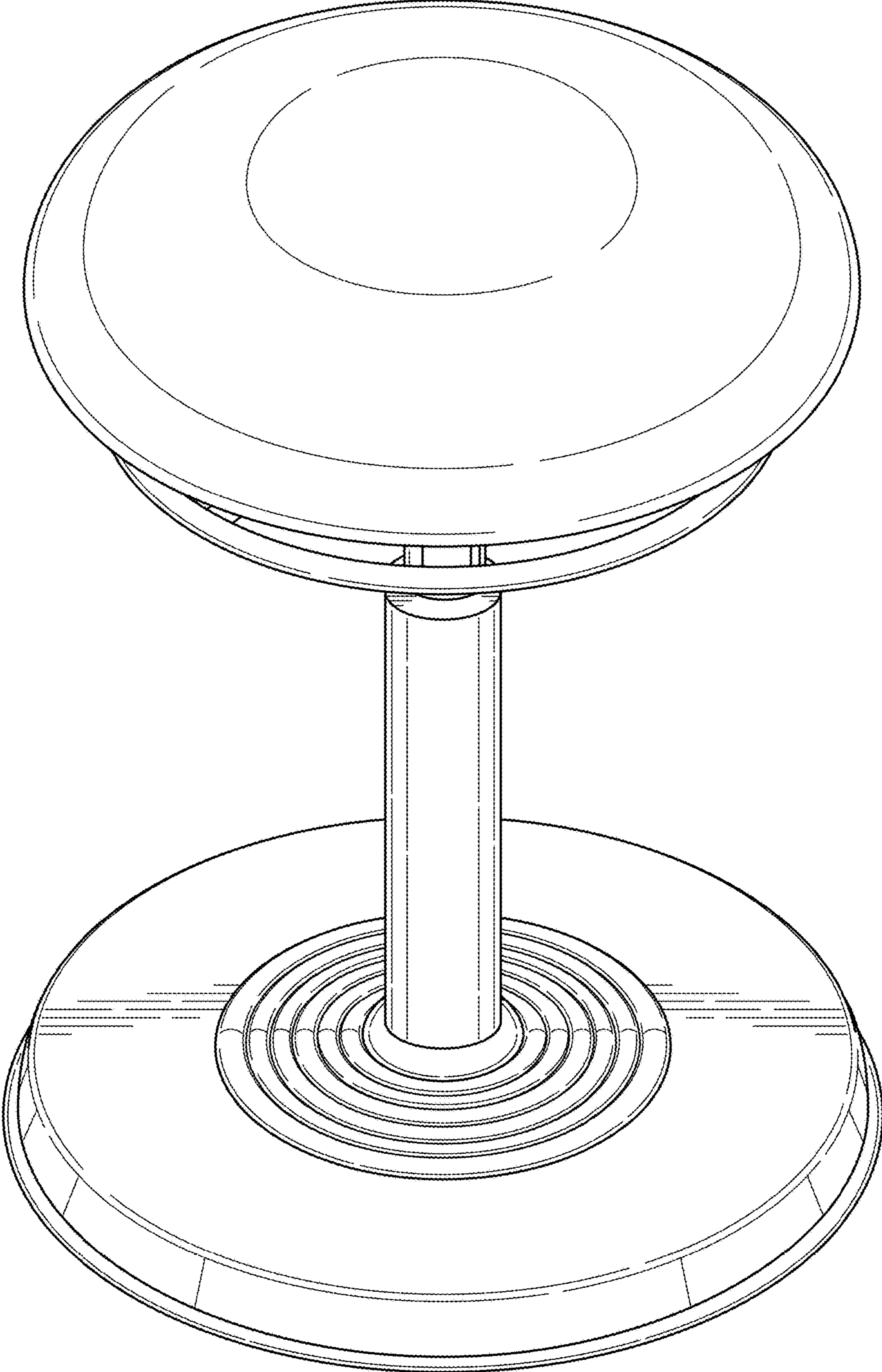


FIG. 1

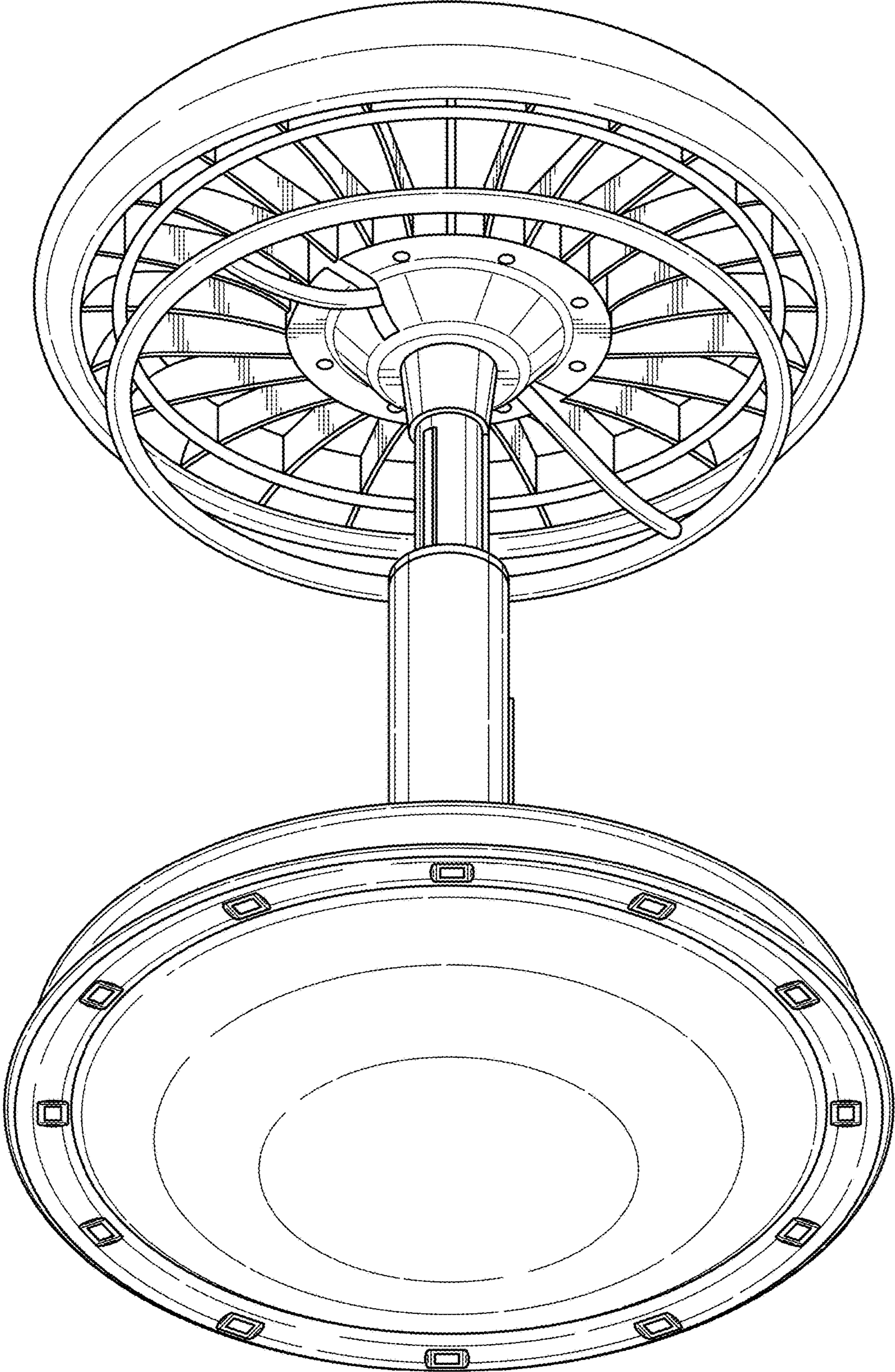


FIG. 2

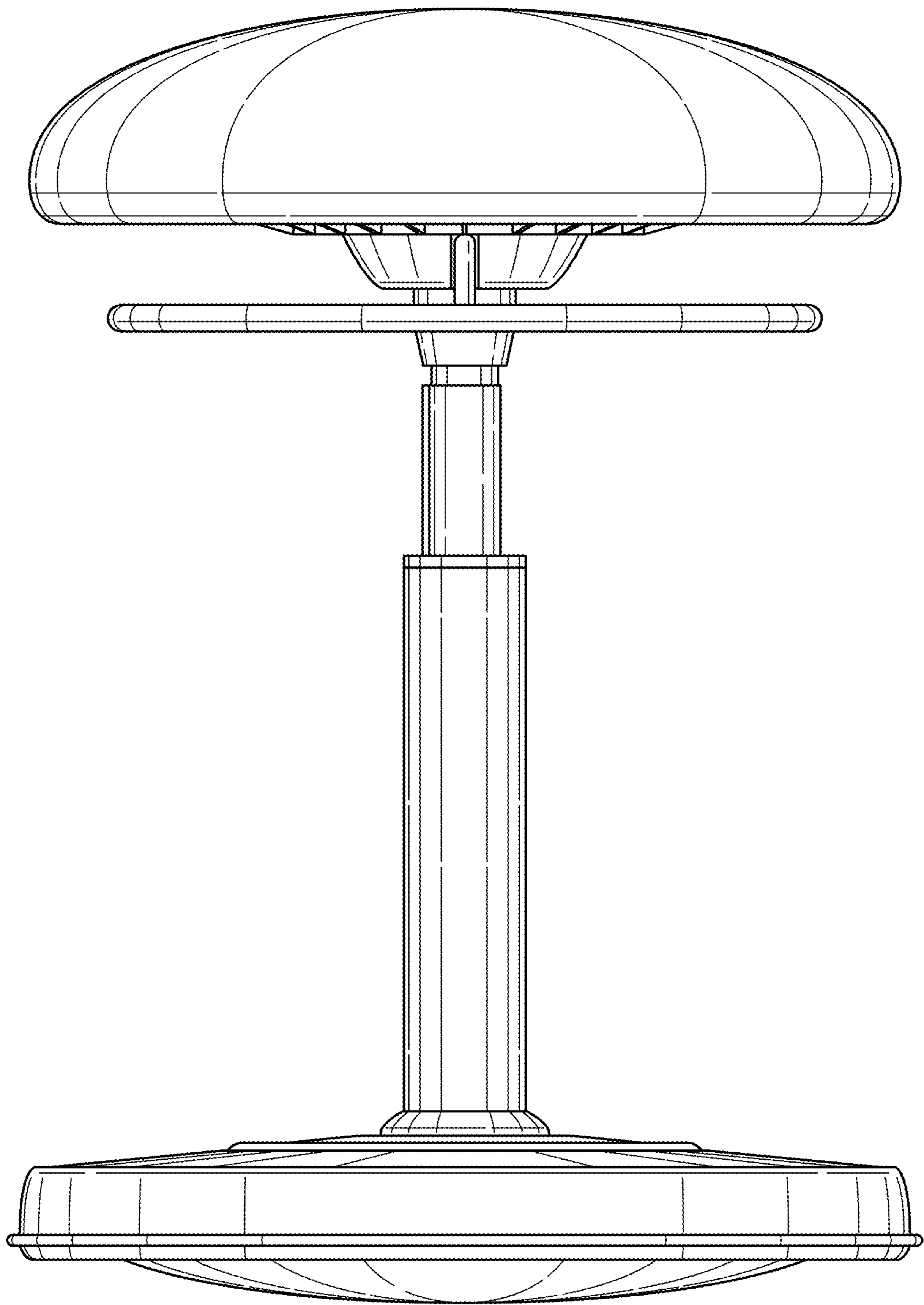


FIG. 3

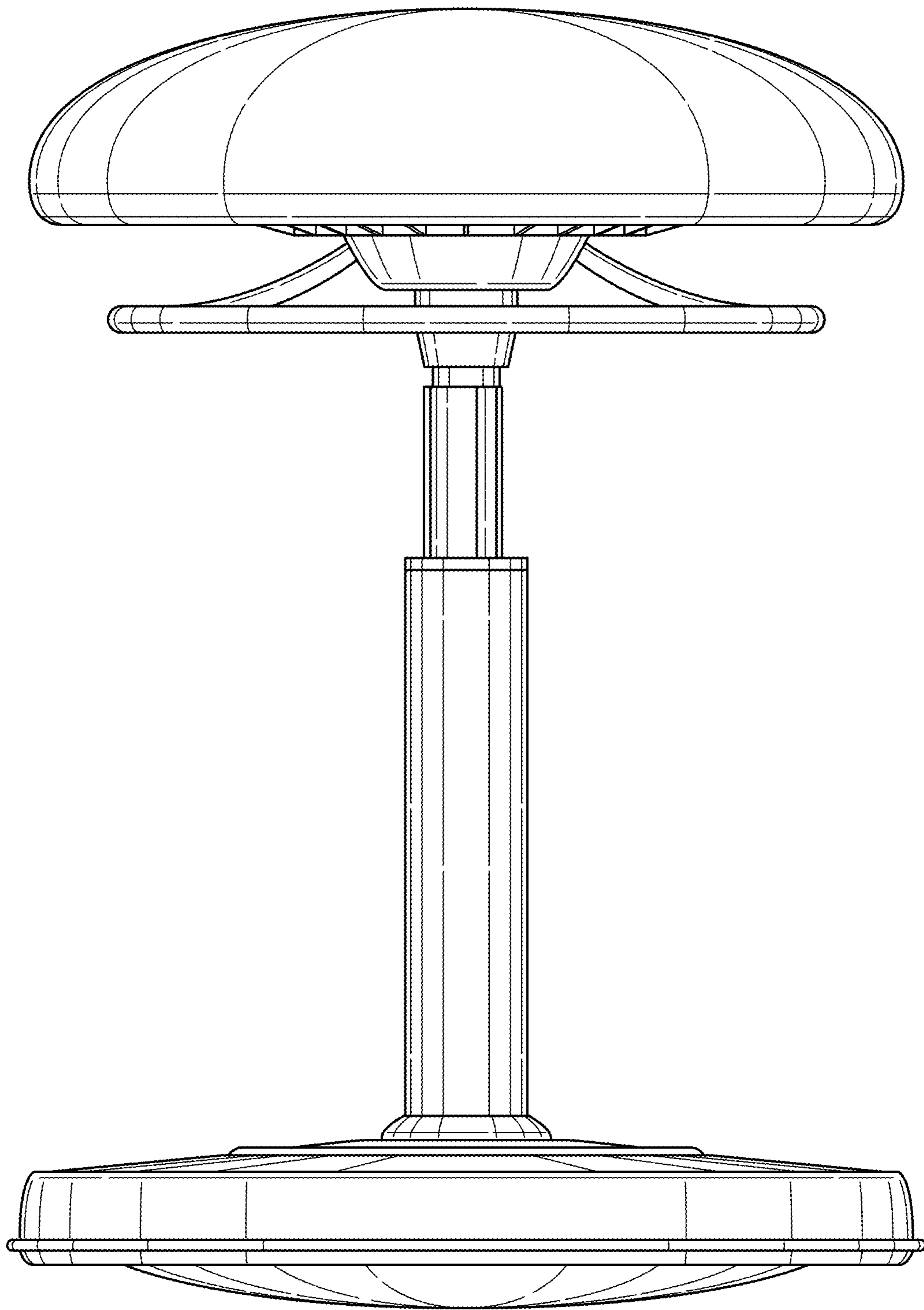


FIG. 4

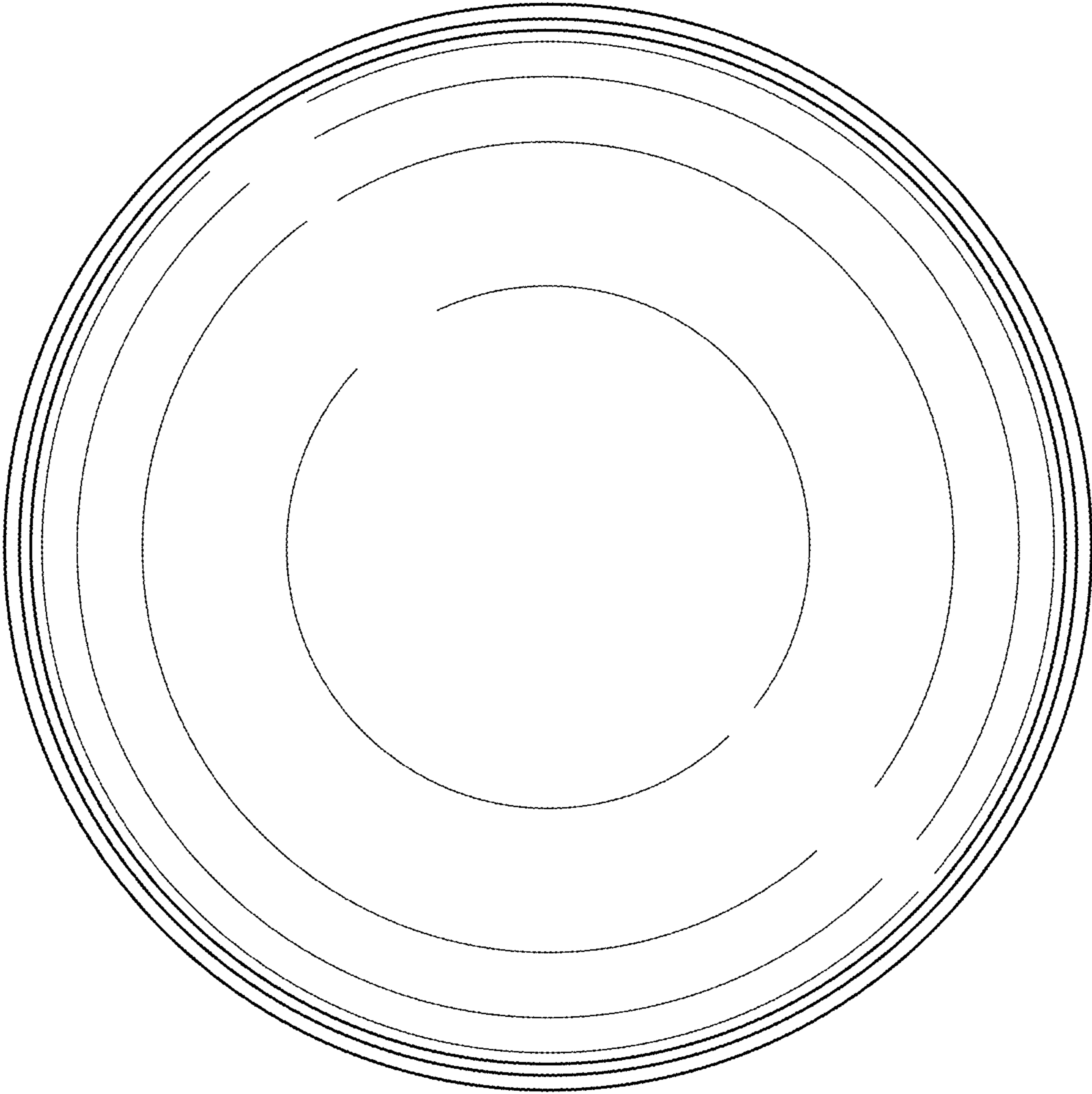


FIG. 5

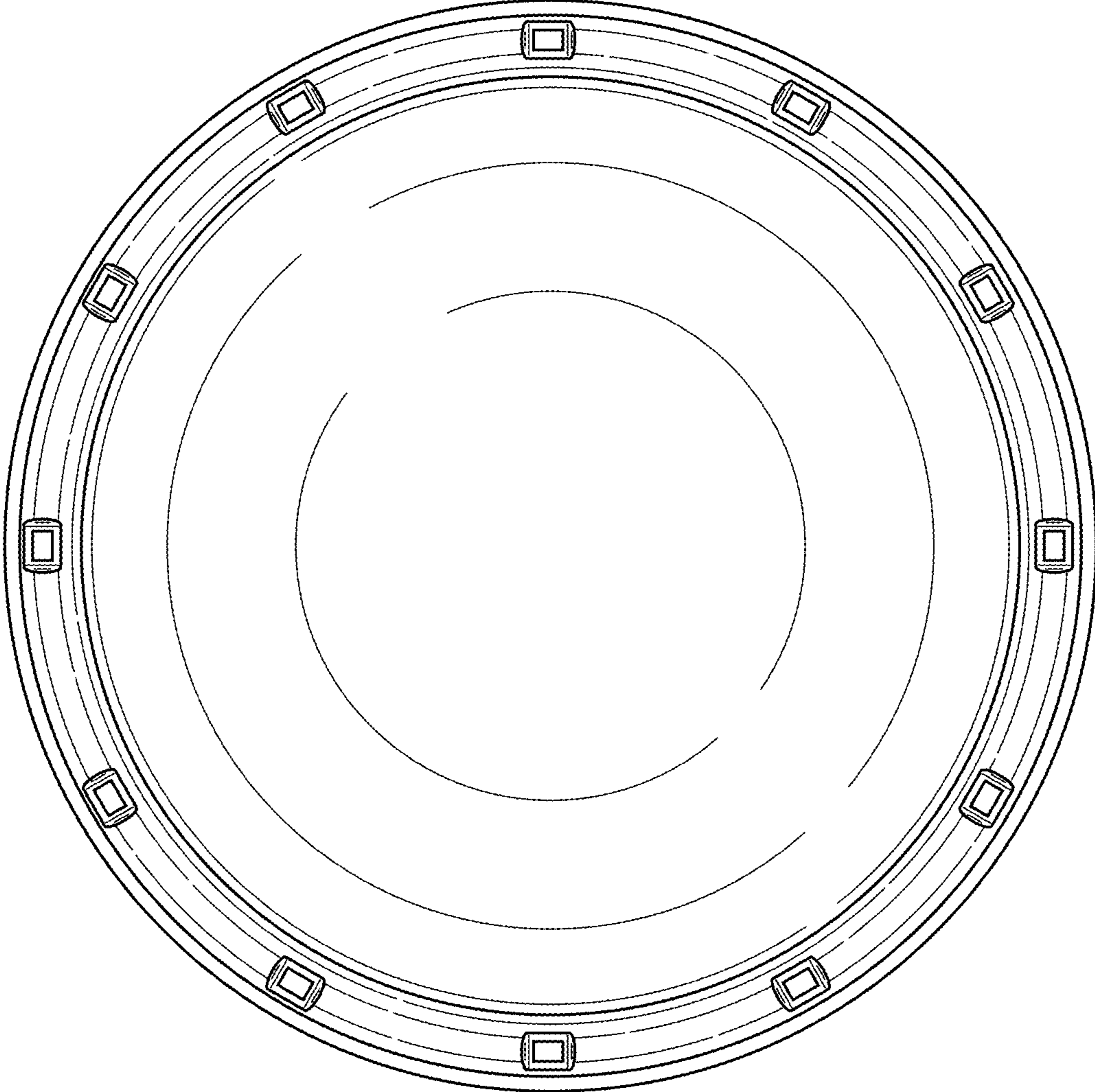


FIG. 6