

US00D801712S

(12) **United States Design Patent**
Neil

(10) **Patent No.:** **US D801,712 S**

(45) **Date of Patent:** **** Nov. 7, 2017**

(54) **STOOL**

(71) Applicant: **Gary Neil**, Mississauga (CA)

(72) Inventor: **Gary Neil**, Mississauga (CA)

(73) Assignee: **Allseating Corporation**, Mississauga (CA)

(**) Term: **15 Years**

(21) Appl. No.: **29/567,915**

(22) Filed: **Jun. 14, 2016**

(30) **Foreign Application Priority Data**

Jun. 8, 2016 (CA) 168852

(51) **LOC (10) Cl.** **06-01**

(52) **U.S. Cl.**
USPC **D6/349**

(58) **Field of Classification Search**

USPC D6/349-353, 358-360, 364-367, 374,
D6/403-405, 601, 691-691.9, 692-692.6,
D6/703.6, 703.7, 705

CPC A47C 9/00-9/105; A47C 7/00-7/02; A47C
16/00-16/04; A47B 7/00-7/02; A47B
3/00; A47B 3/02; A47B 3/04; A47B 3/12
See application file for complete search history.

(56) **References Cited**

U.S. PATENT DOCUMENTS

3,536,359 A * 10/1970 Amos A47C 3/04
297/239
D264,898 S * 6/1982 Baker D6/364
D277,432 S * 2/1985 Appel D6/364
D406,470 S * 3/1999 Lin D6/349
D424,822 S * 5/2000 Lewis D6/349
D545,071 S * 6/2007 Potter D6/336
D548,493 S * 8/2007 Diekman D6/349
D576,808 S * 9/2008 Ton D6/349

(Continued)

OTHER PUBLICATIONS

Plop Round Ottoman. [online] Retrieved Jun. 12, 2017 from URL:
<<http://www.stylecraft.com.au/product/ploproundottoman>>.*

(Continued)

Primary Examiner — Vy Koenig

(74) *Attorney, Agent, or Firm* — Lorelei G. Graham

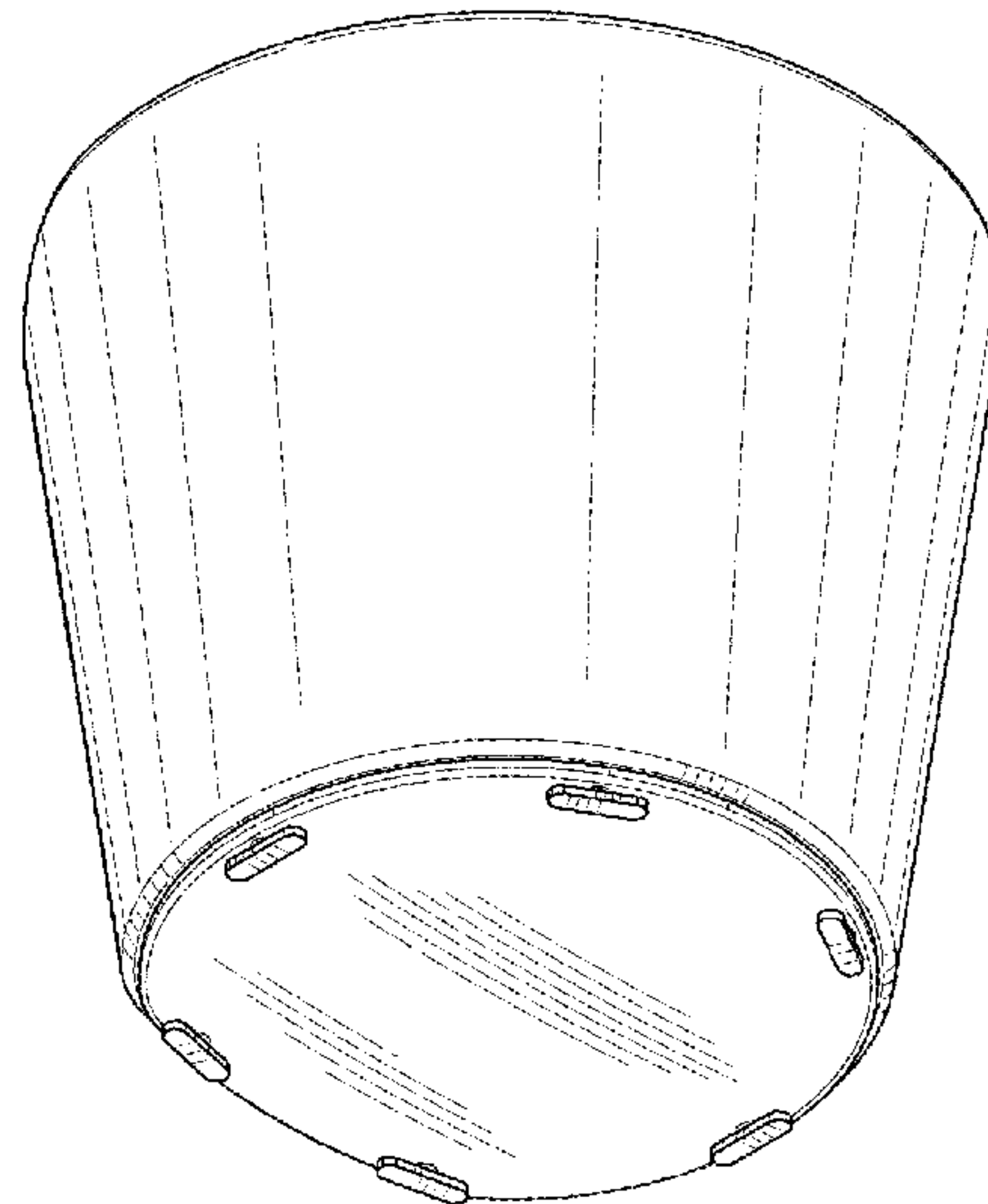
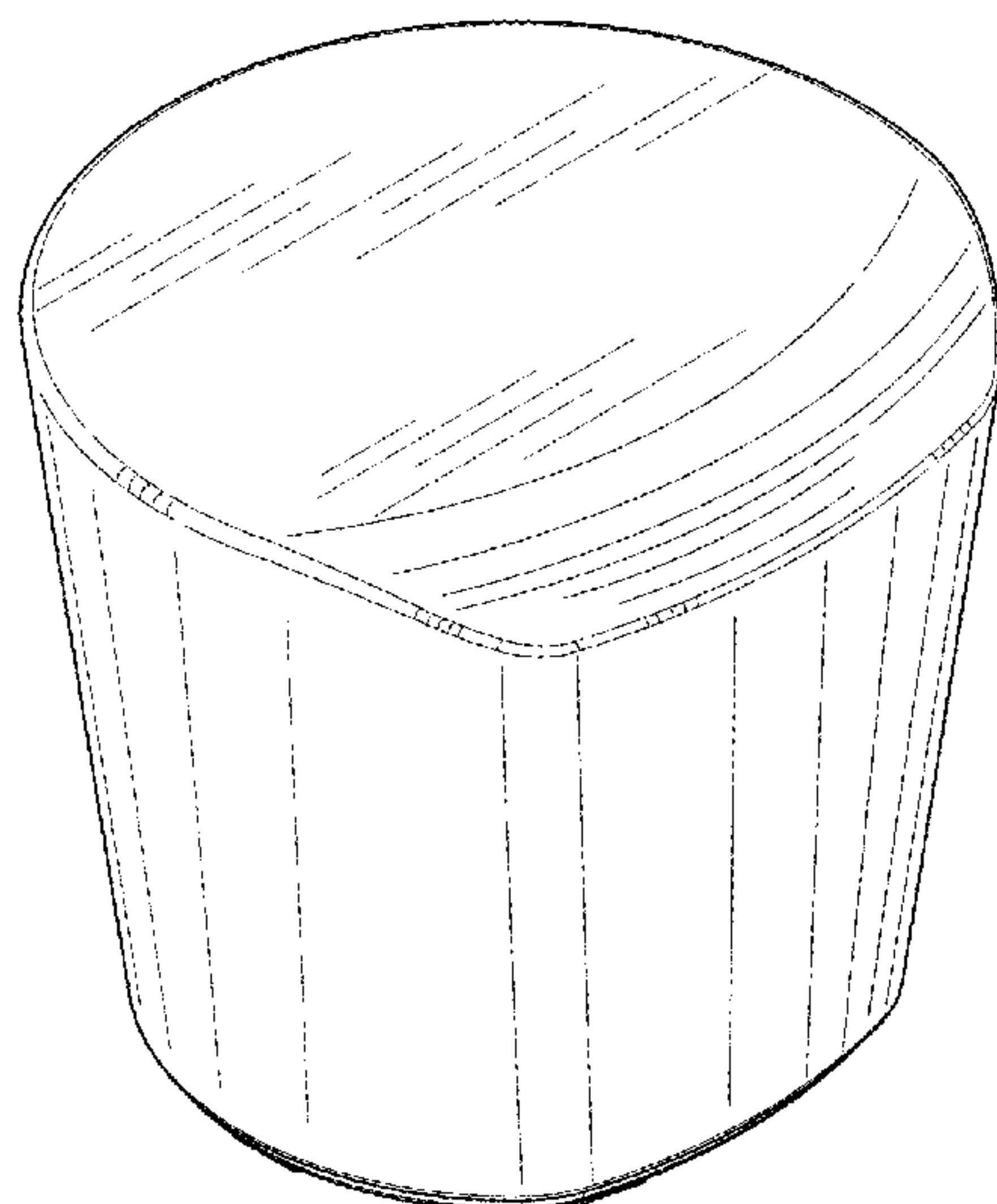
(57) **CLAIM**

The ornamental design for the stool, as shown and described.

DESCRIPTION

FIG. 1 is a front perspective view of the stool.
FIG. 2 is a back perspective view of the stool.
FIG. 3 is a right side view of the stool.
FIG. 4 is a front view of the stool.
FIG. 5 is a left side view of the stool.
FIG. 6 is a back view of the stool.
FIG. 7 is a top view of the stool.
FIG. 8 is a bottom view of the stool.
FIG. 9 is a front perspective view of the stool in a second embodiment.
FIG. 10 is a back perspective view of the stool in a second embodiment.
FIG. 11 is a right side view of the stool in a second embodiment.
FIG. 12 is a front view of the stool in a second embodiment.
FIG. 13 is a left side view of the stool in a second embodiment.
FIG. 14 is a back view of the stool in a second embodiment.
FIG. 15 is a top view of the stool in a second embodiment; and,
FIG. 16 is a bottom view of the stool in a second embodiment.

1 Claim, 8 Drawing Sheets



(56)

References Cited

U.S. PATENT DOCUMENTS

D610,359 S * 2/2010 Young-il D6/355
D744,763 S * 12/2015 Henderson D6/349
D746,075 S * 12/2015 Lievore D6/364
D764,197 S * 8/2016 Yoshida D6/352
D764,198 S * 8/2016 Yoshida D6/352

OTHER PUBLICATIONS

Brown Round Swivel Ottoman. [online] Retrieved Jun. 24, 2017
from URL: <<https://www.afw.com/en/brownroundswivelottoman>>.*

* cited by examiner

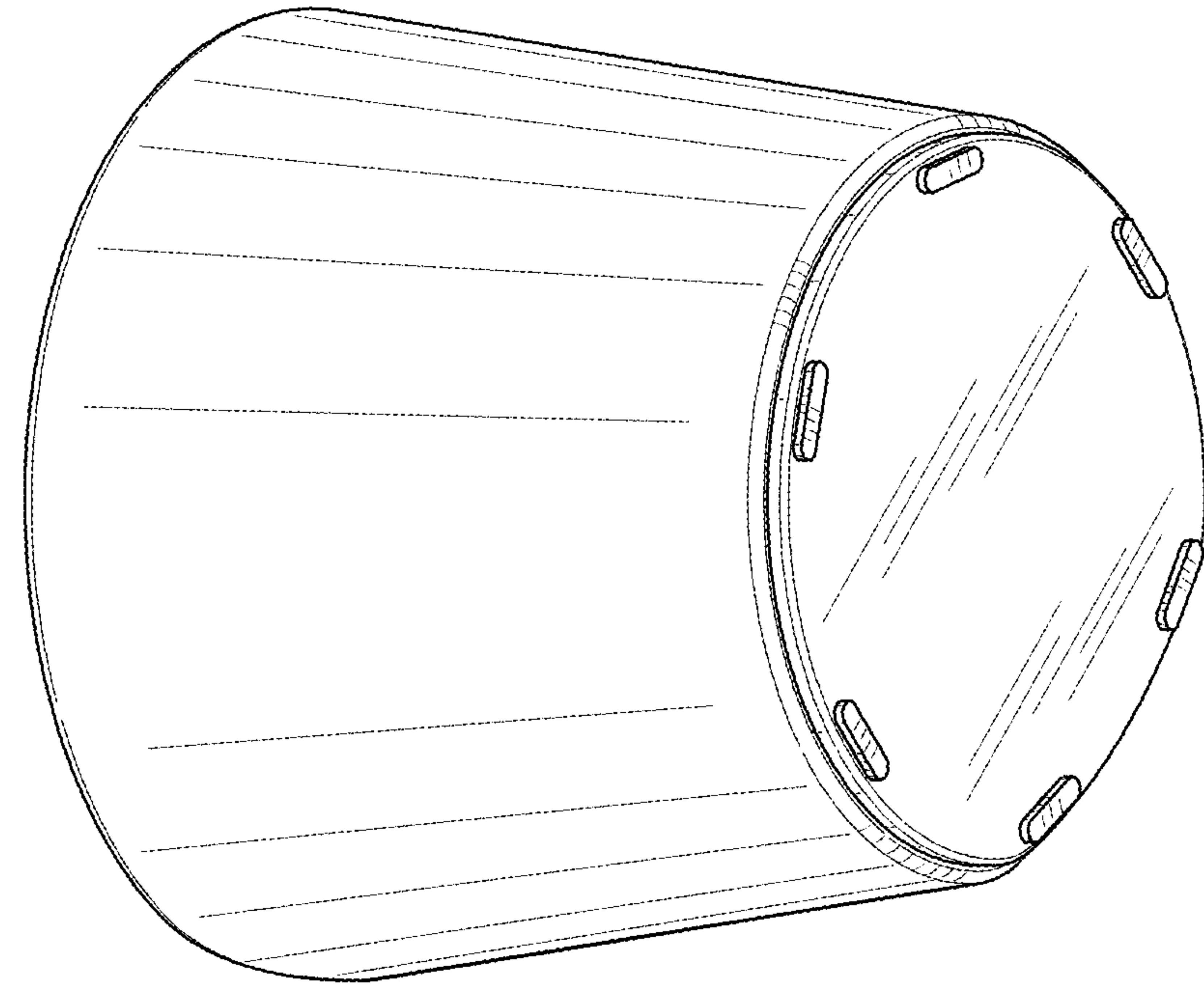


FIG. 2

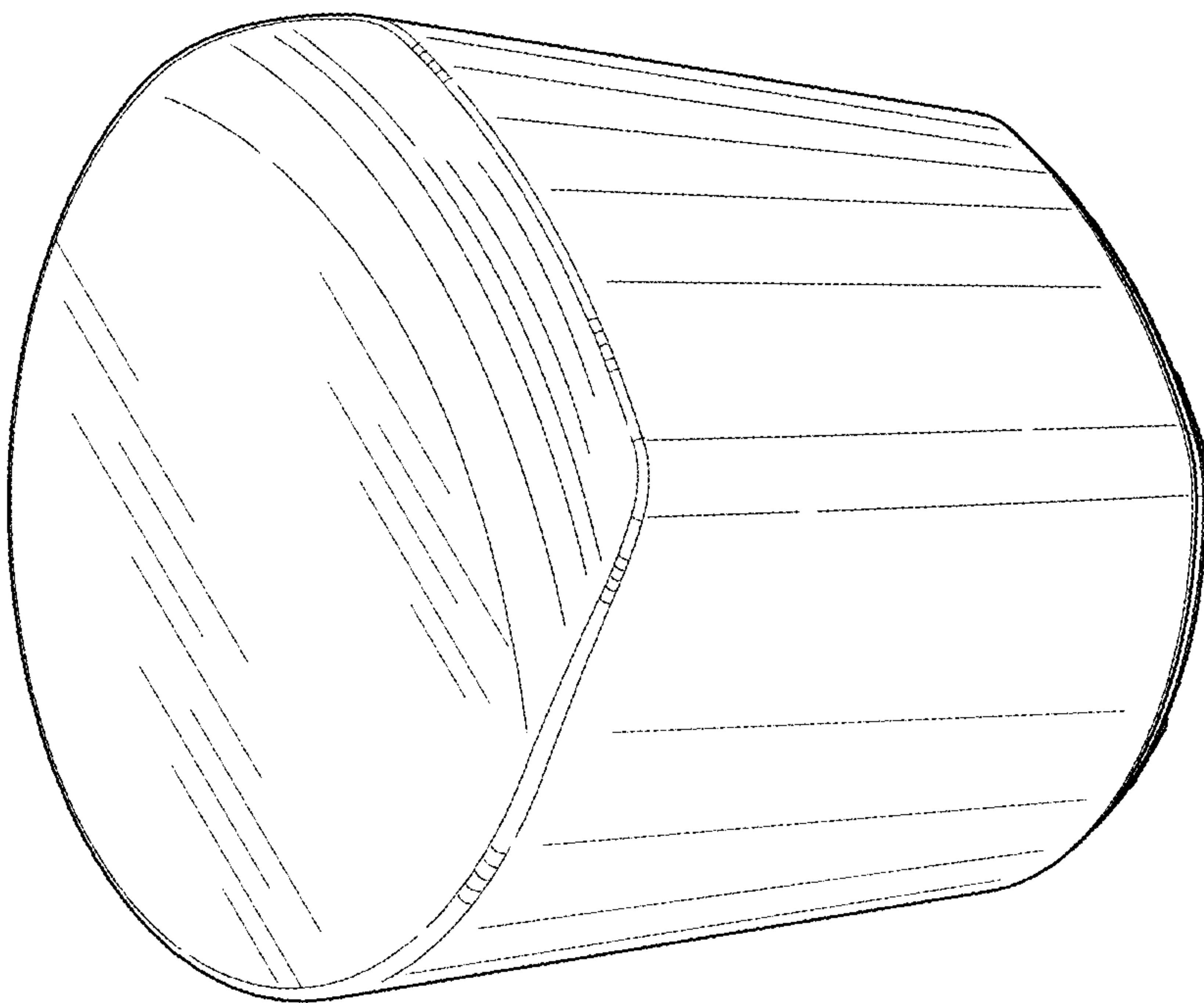


FIG. 1

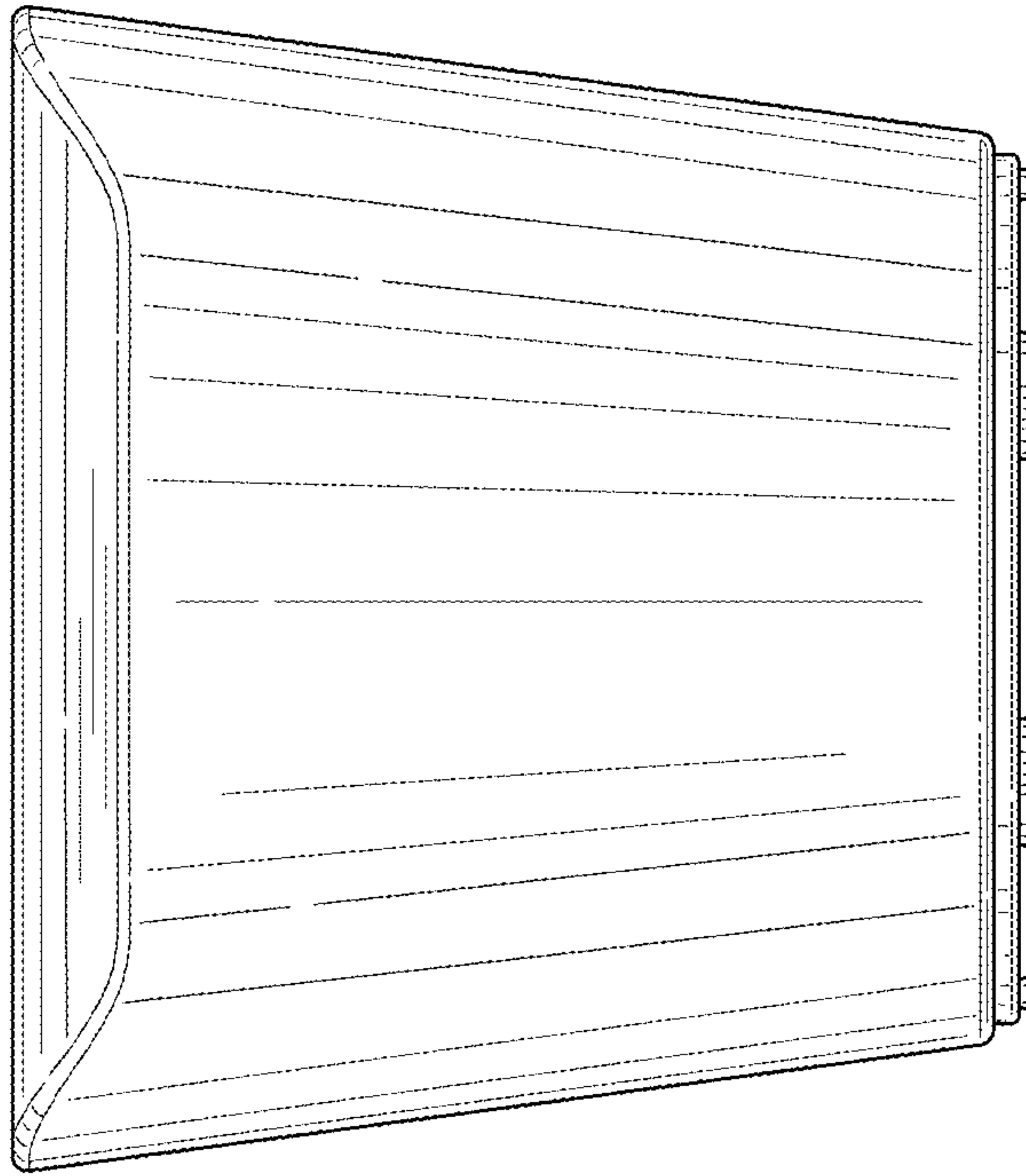


FIG. 4

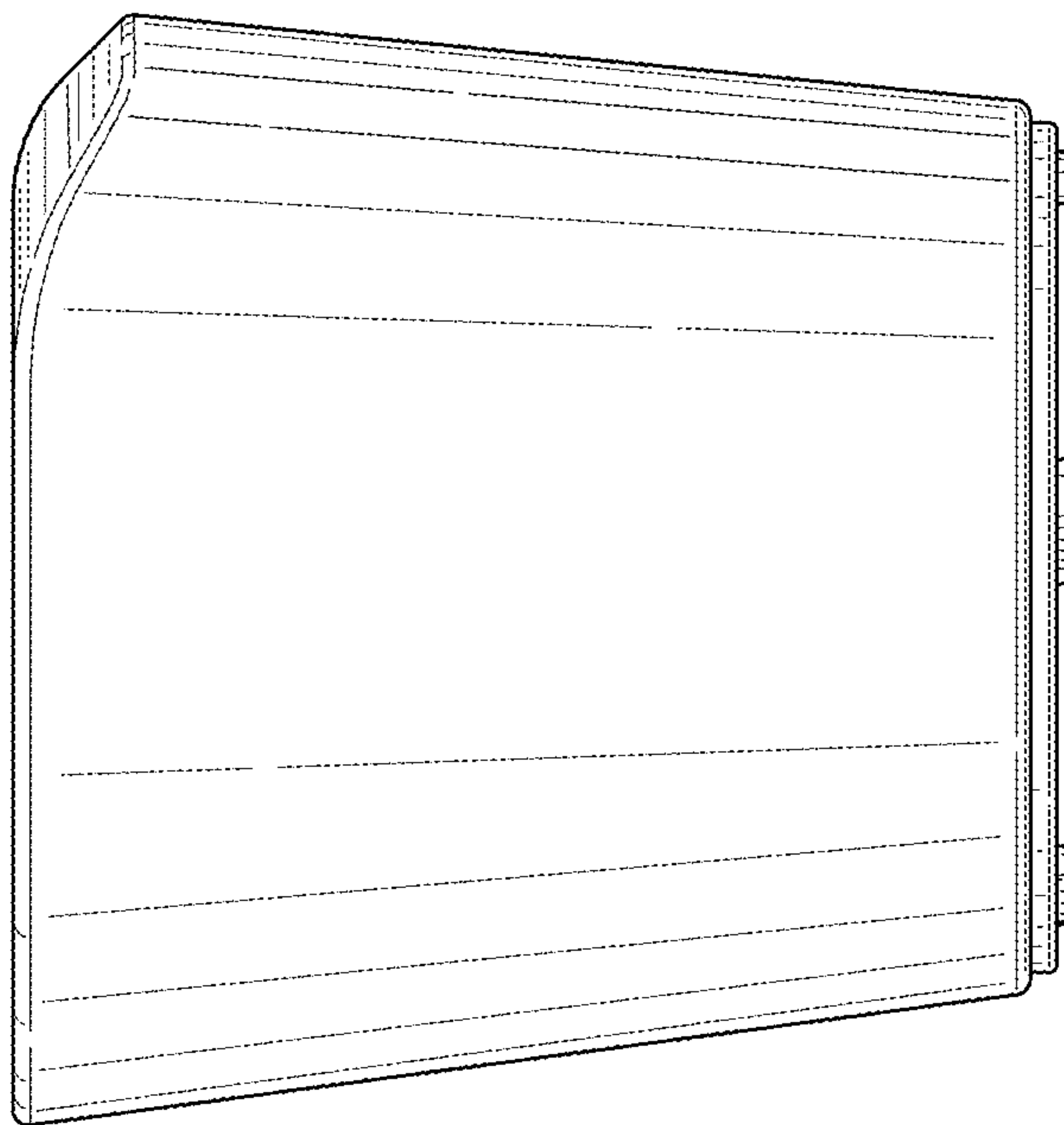


FIG. 3

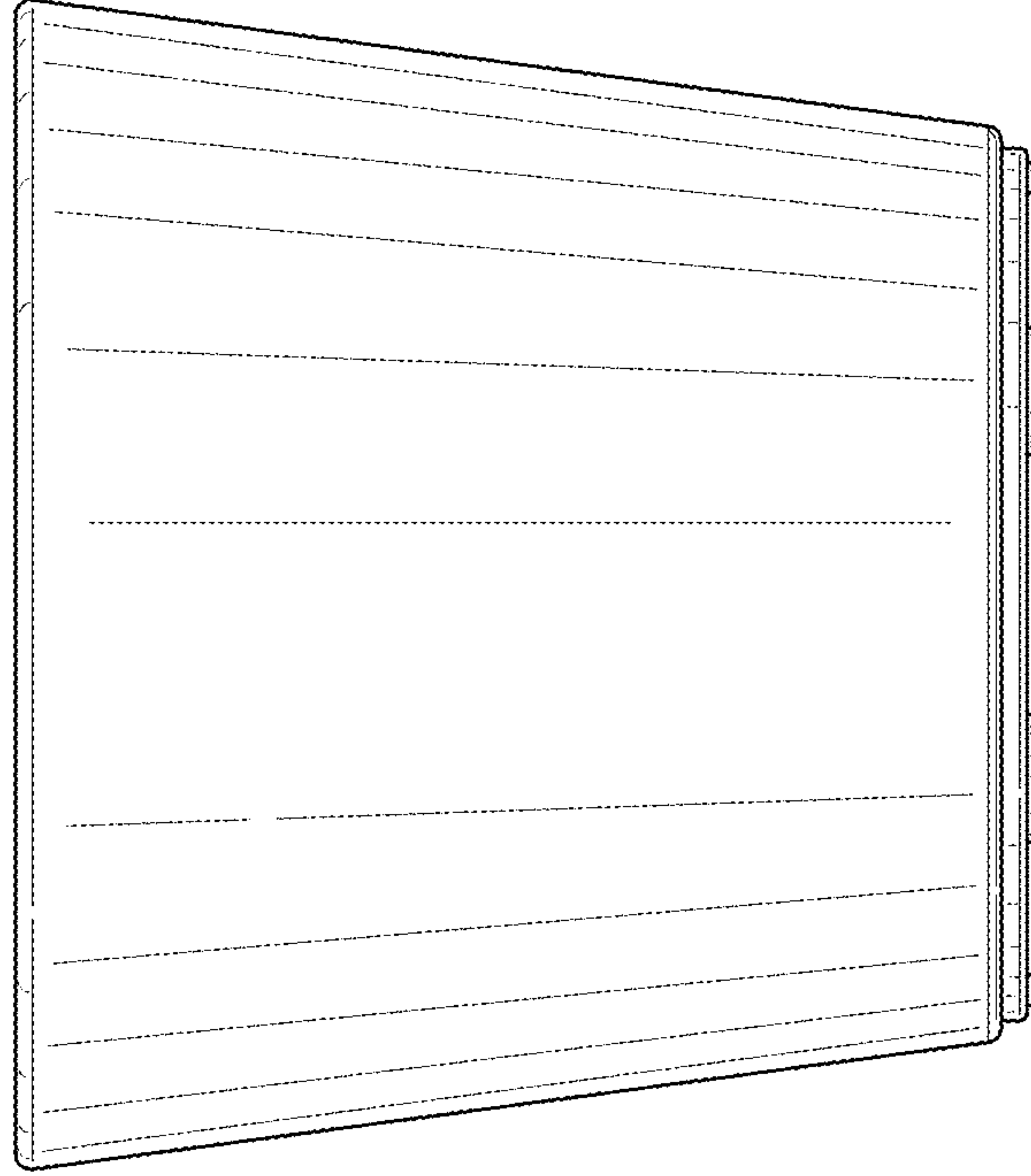


FIG. 6

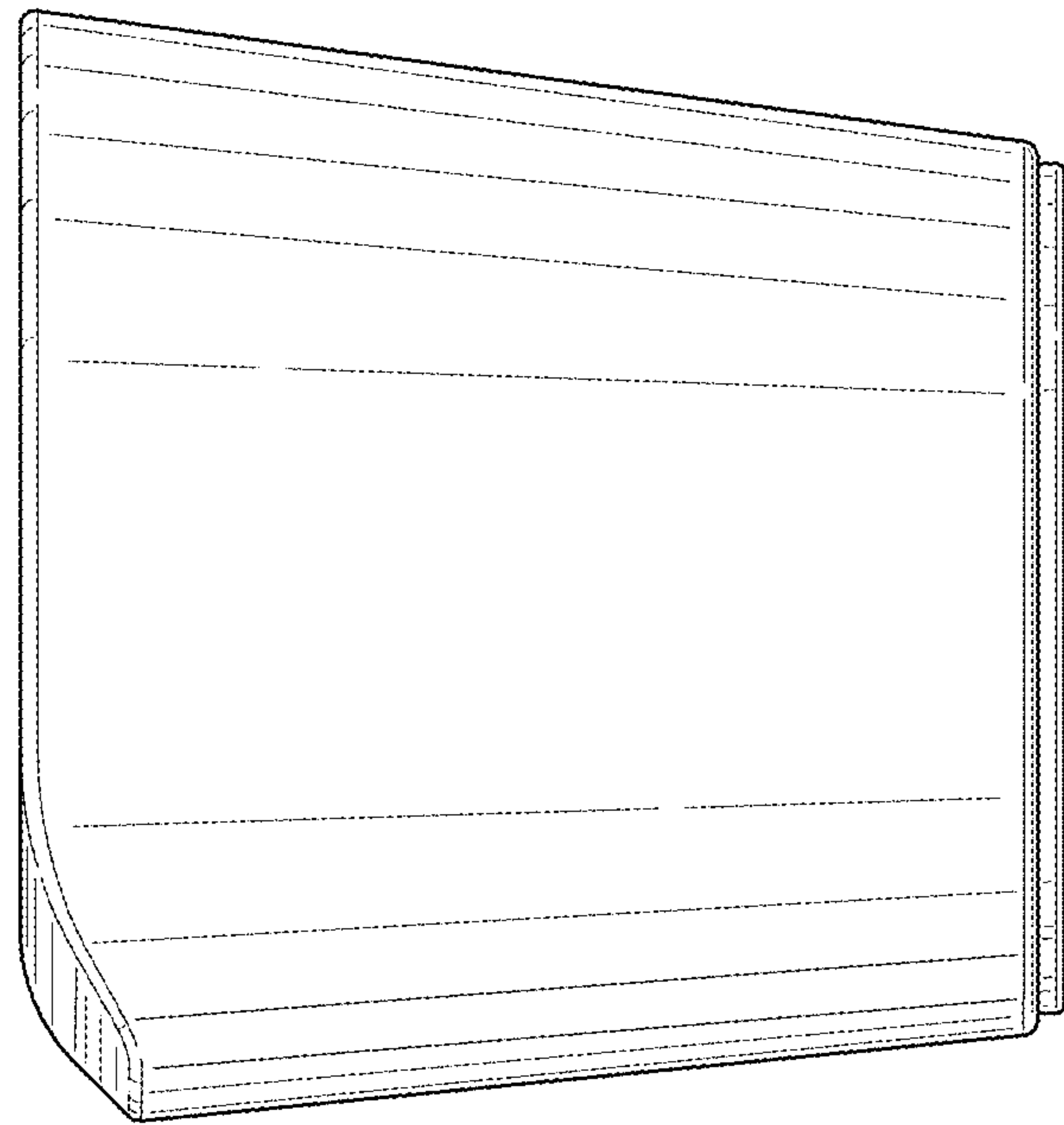


FIG. 5

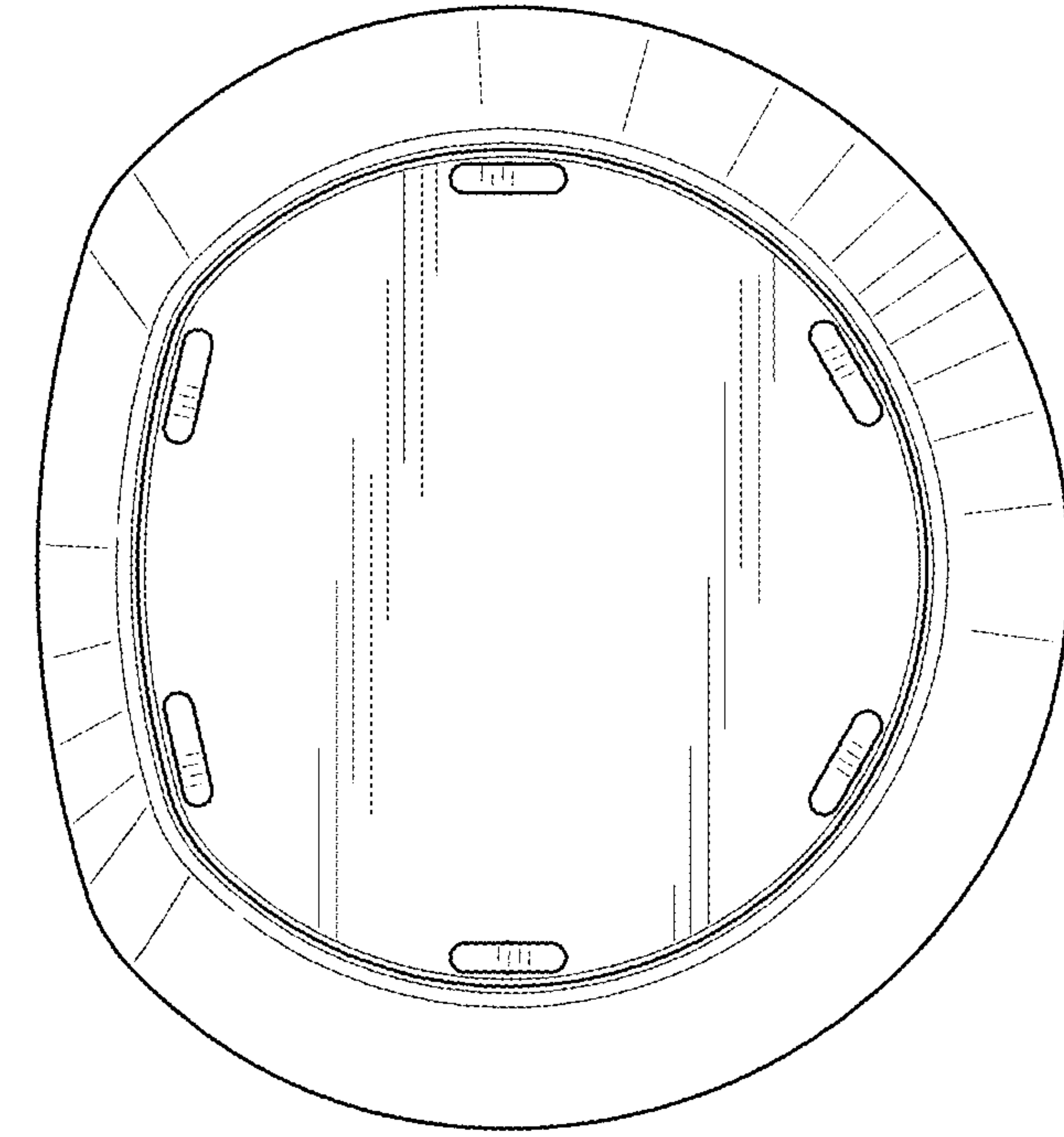


FIG. 7

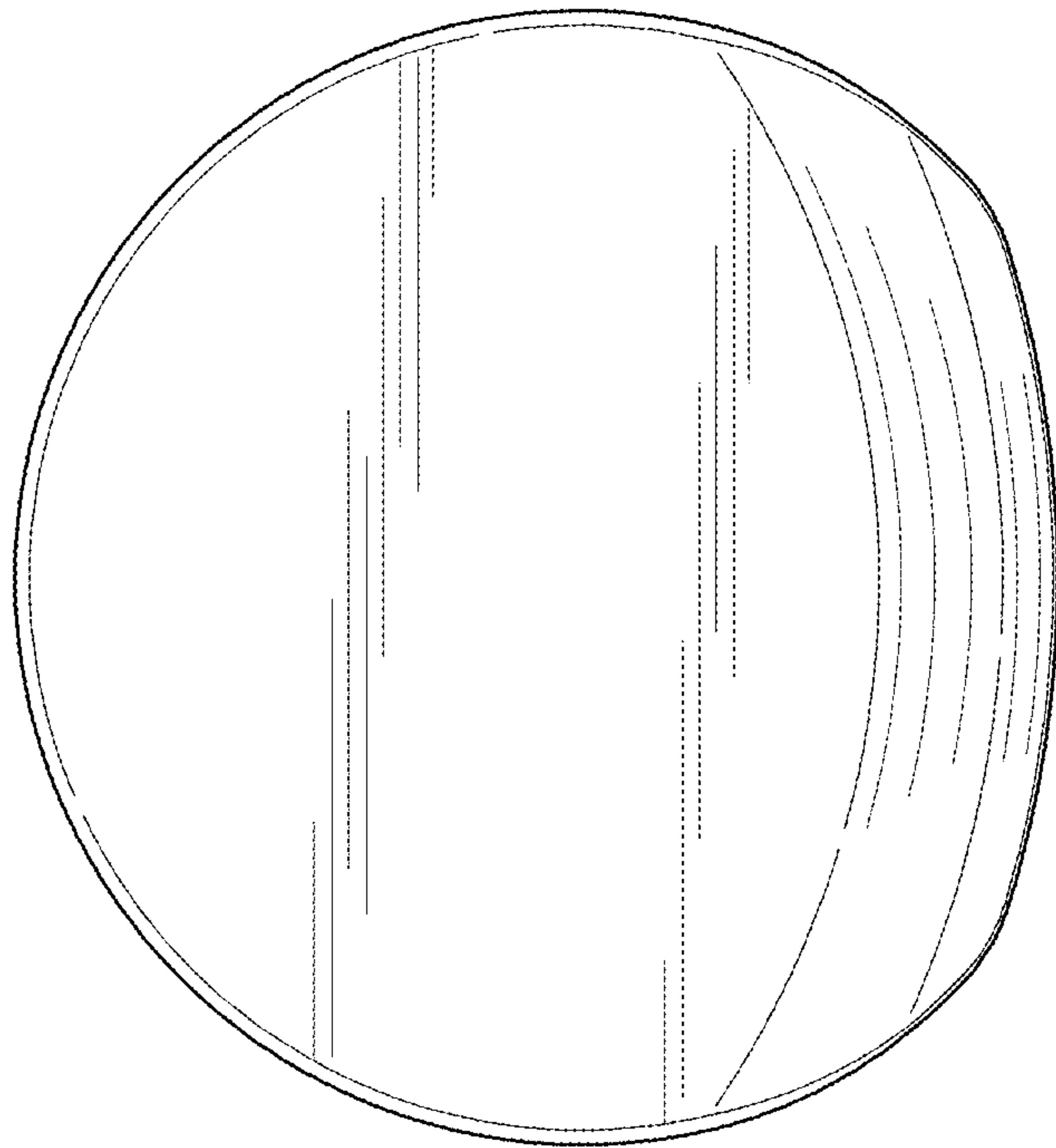


FIG. 8

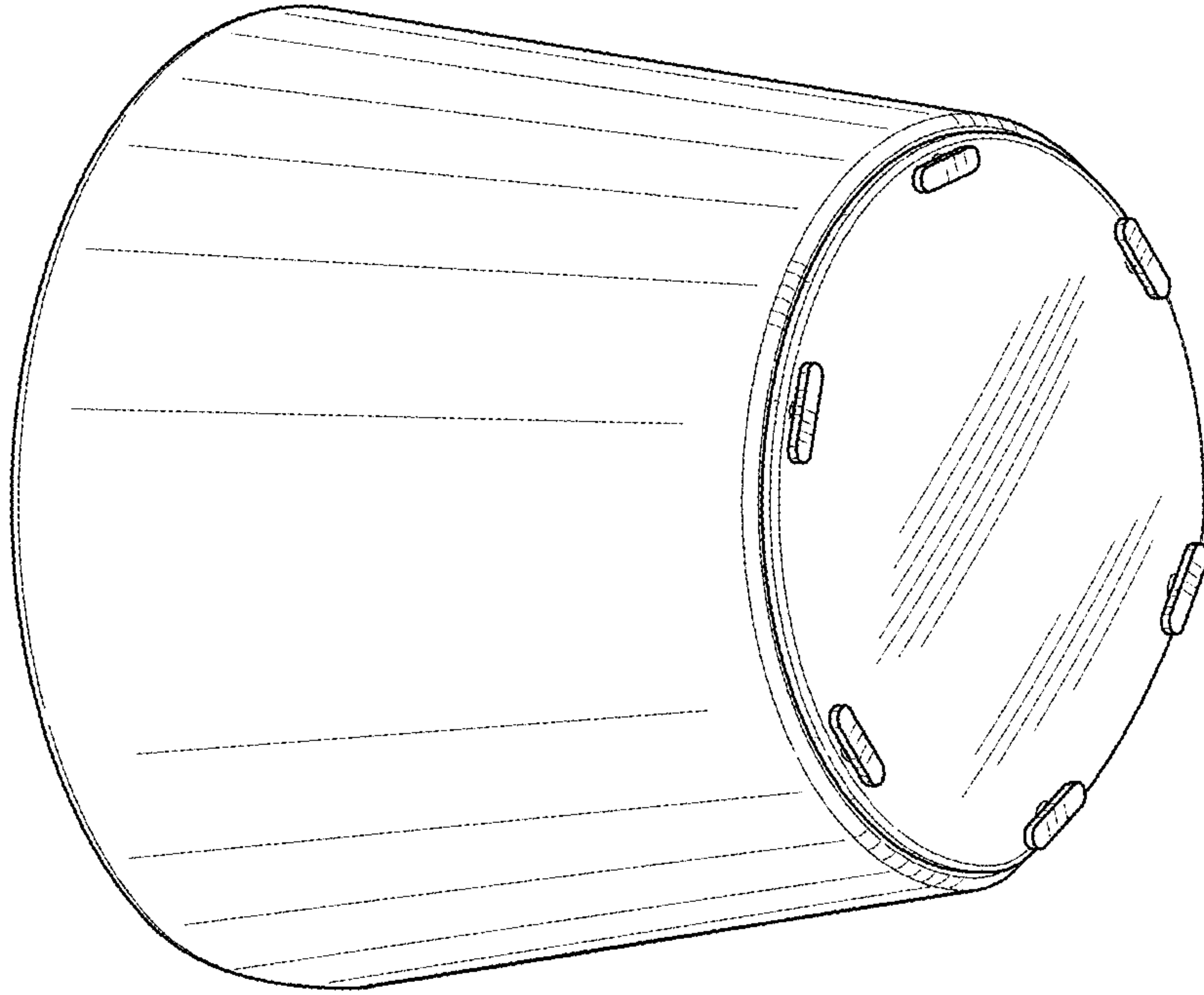


FIG. 10

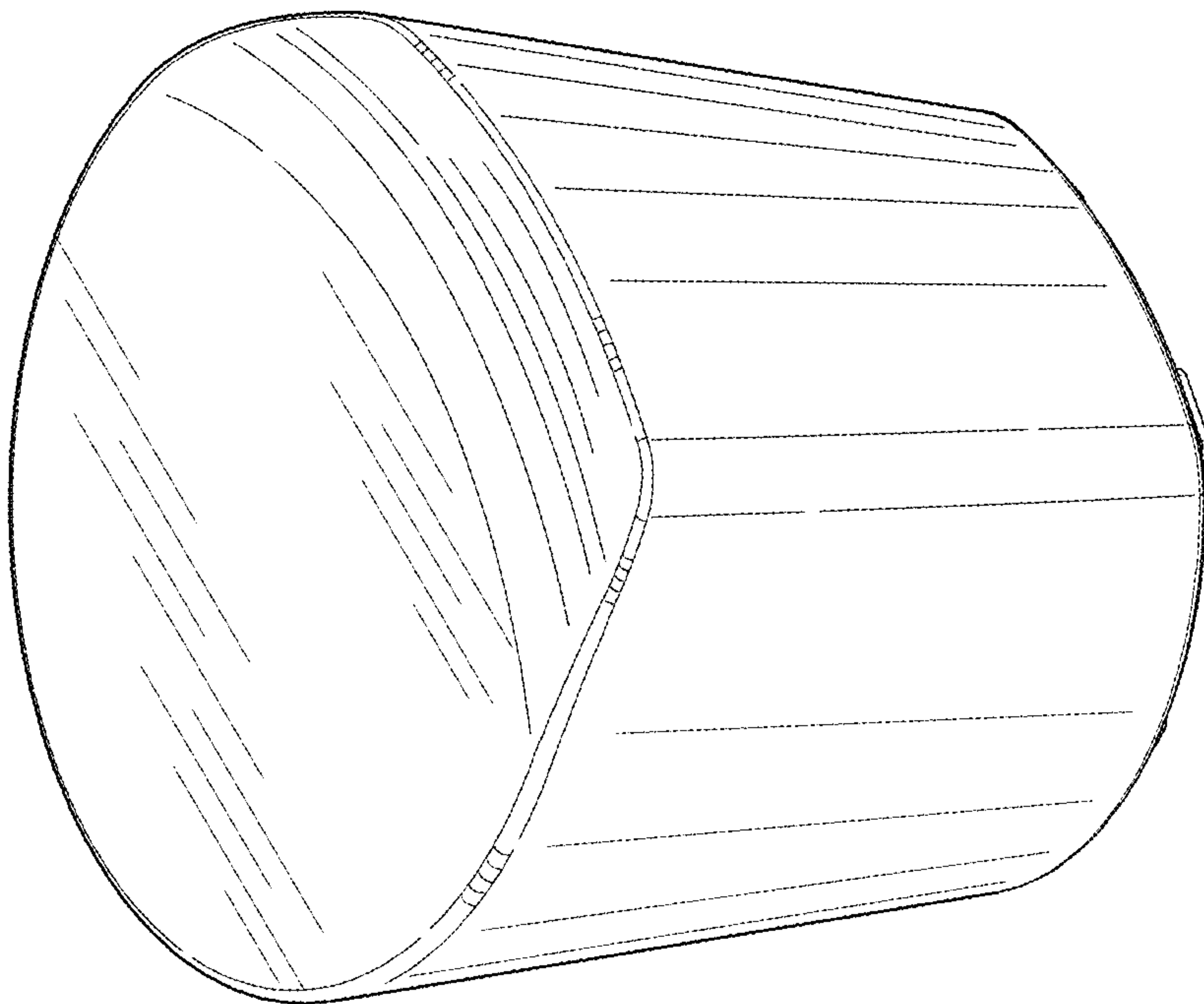


FIG. 9

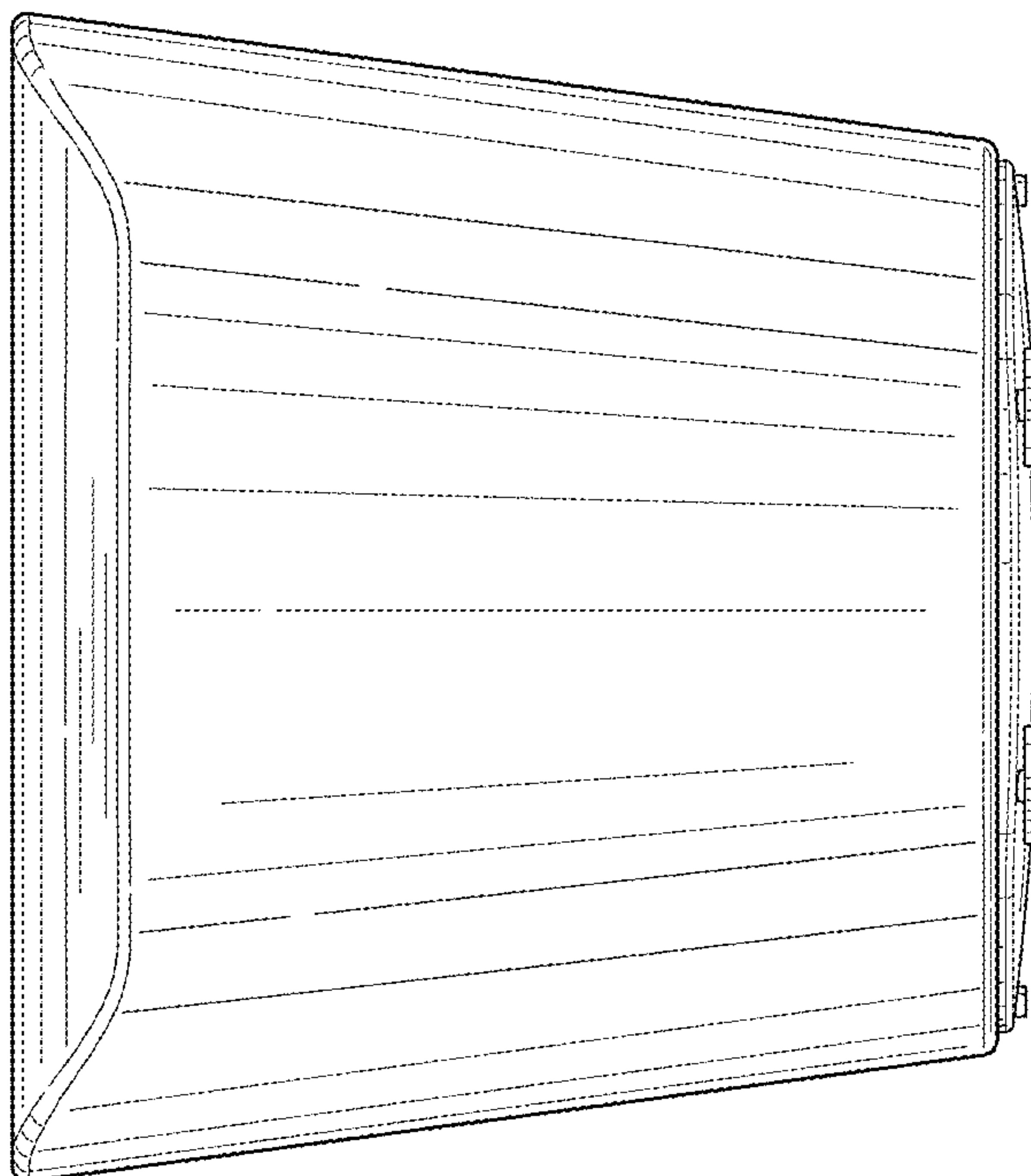


FIG. 11

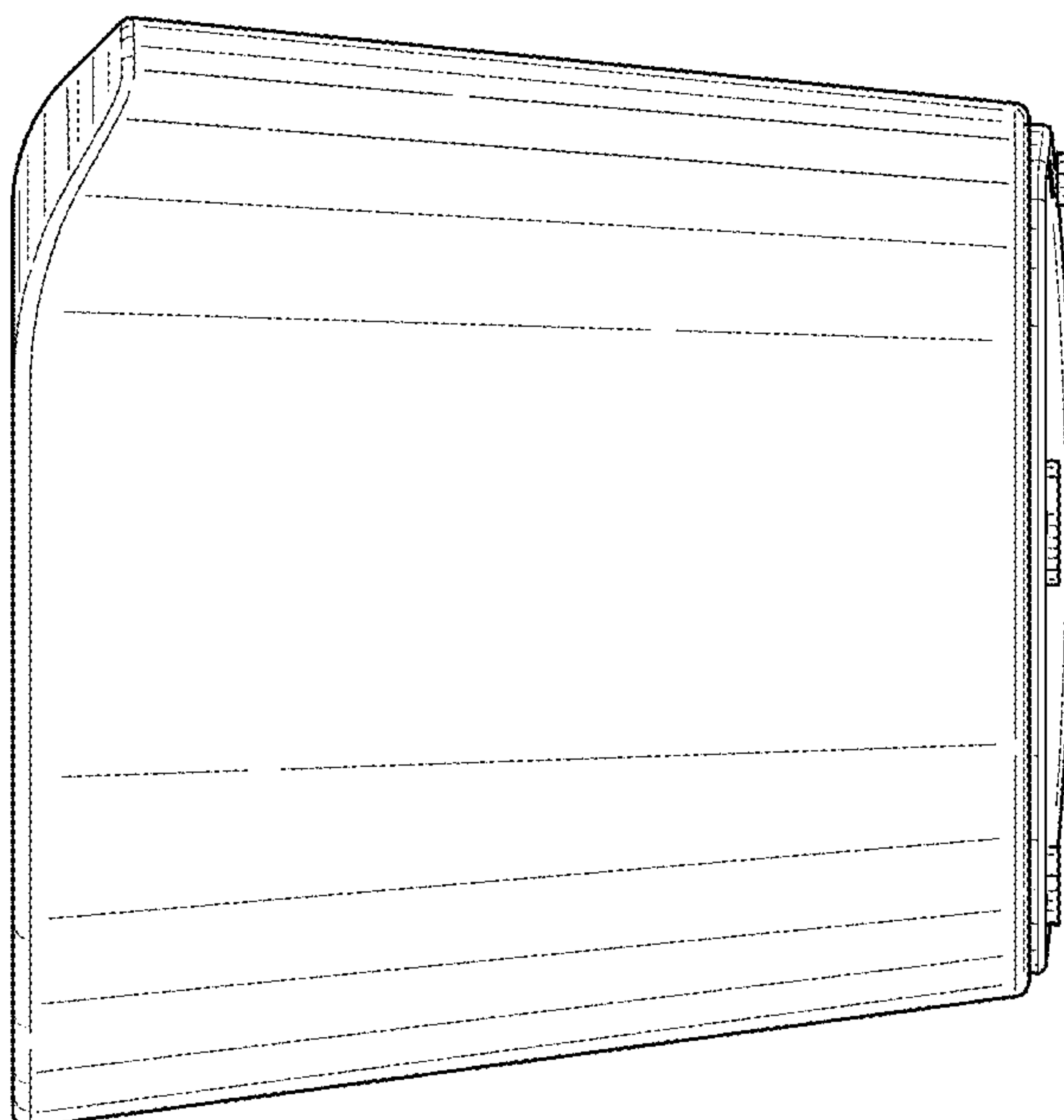


FIG. 12

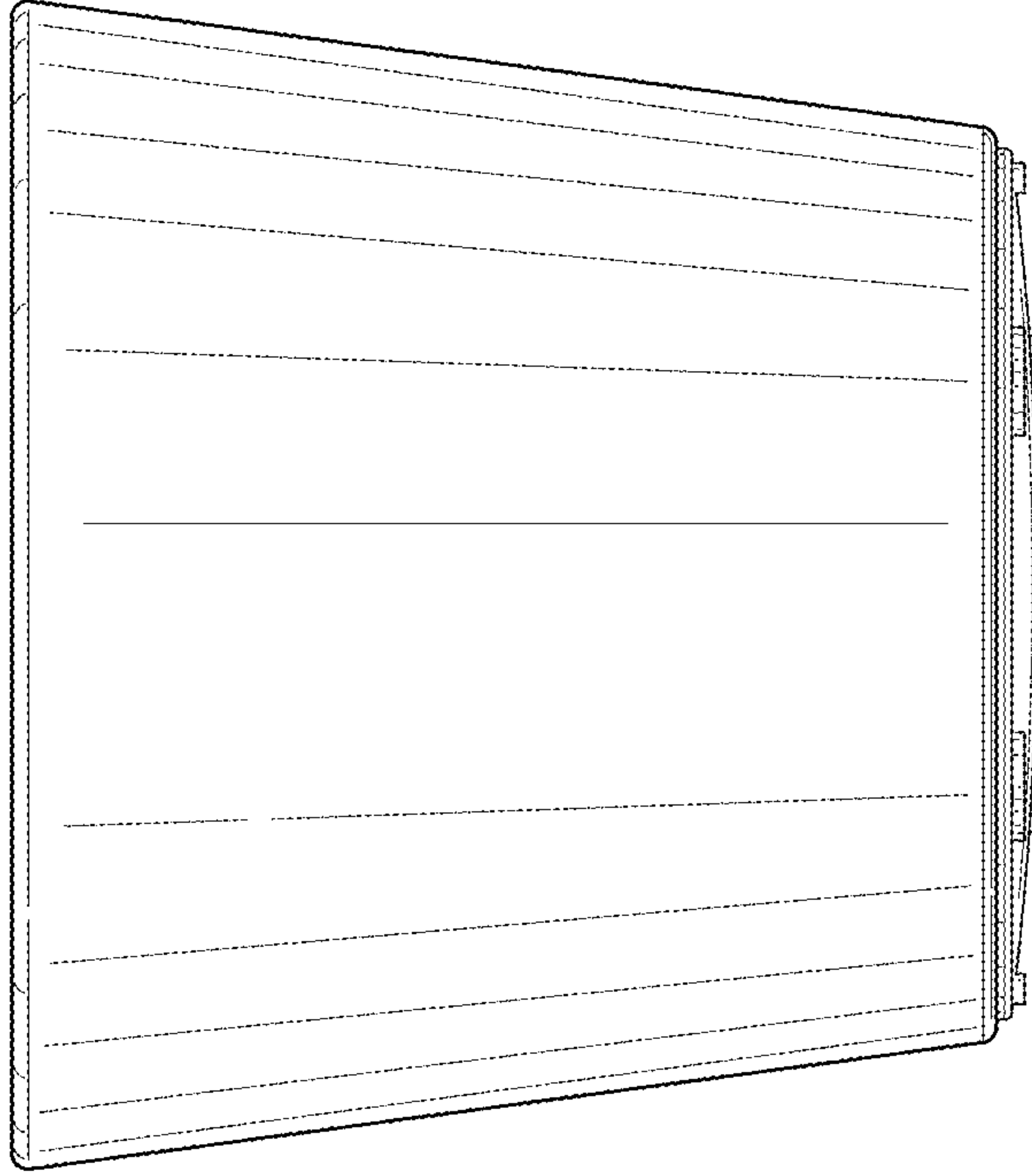


FIG. 14

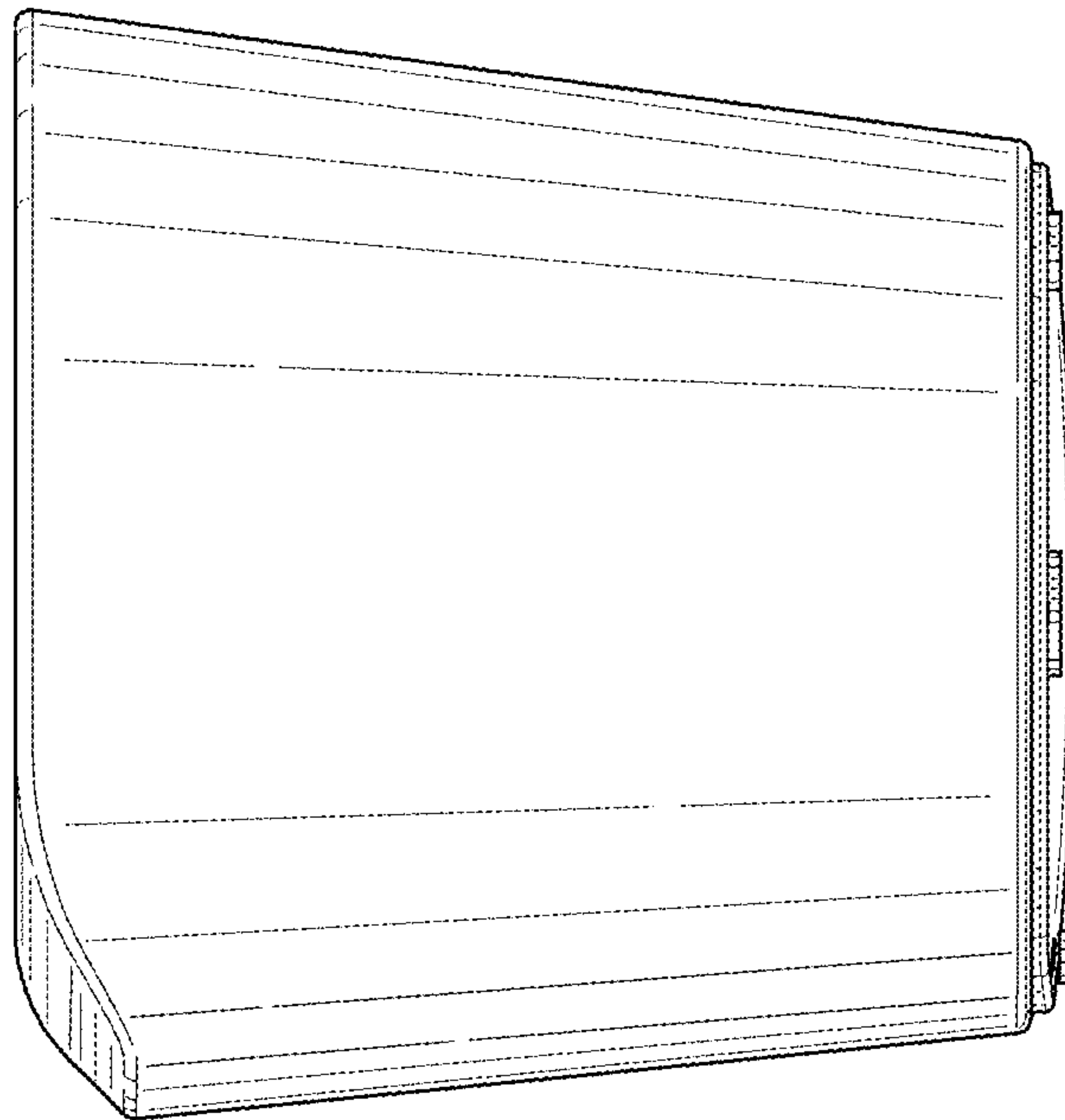


FIG. 13

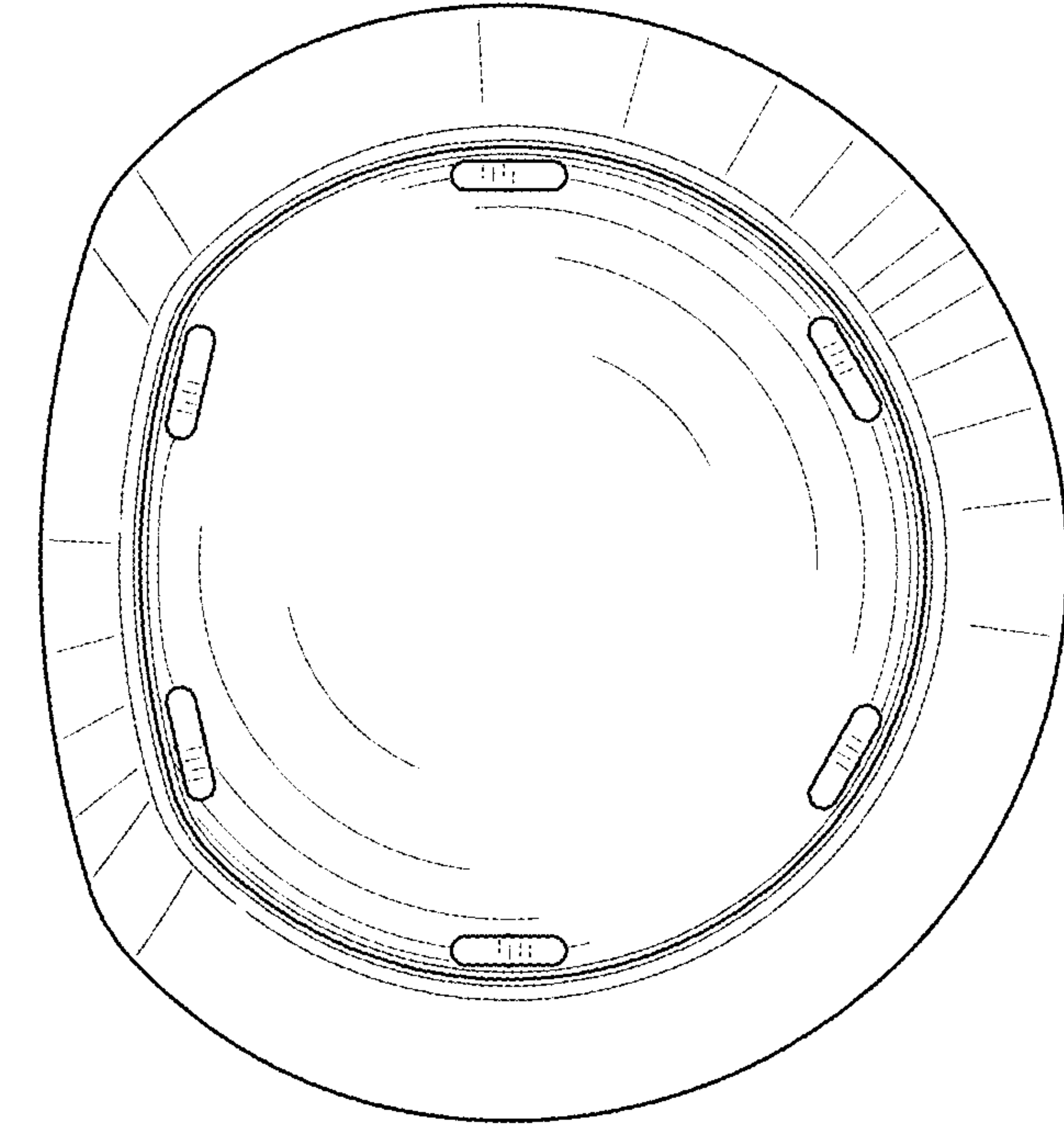


FIG. 15

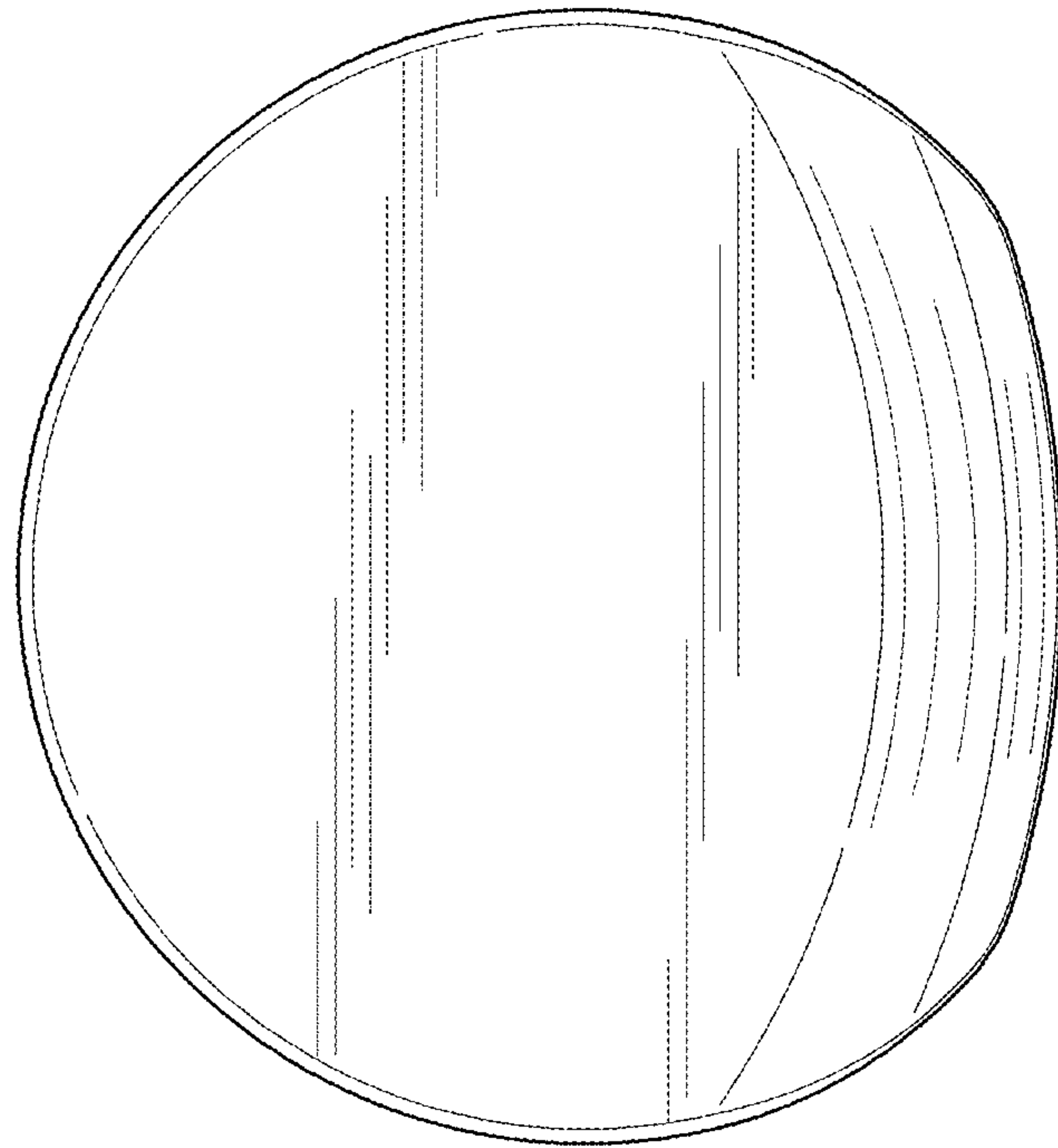


FIG. 16