



US00D801710S

(12) **United States Design Patent** (10) **Patent No.:** **US D801,710 S**
Weng (45) **Date of Patent:** **** Nov. 7, 2017**

(54) **HAMMOCK**
(71) Applicant: **Ningbo Mentoriend International Trading Co., Ltd., Ningbo (CN)**
(72) Inventor: **Johnson Weng, Ningbo (CN)**
(73) Assignee: **NINGBO MENTORIEND INTERNATIONAL TRADING CO., LTD., Ningbo (CN)**
(**) Term: **15 Years**
(21) Appl. No.: **29/552,891**
(22) Filed: **Jan. 27, 2016**
(51) **LOC (10) Cl.** **06-01**
(52) **U.S. Cl.**
USPC **D6/347**
(58) **Field of Classification Search**
USPC D6/334-336, 344, 347, 348, 361, 375,
D6/389, 716, 716.1, 716.2, 716.3, 716.4,
D6/716.8; D21/823
CPC A47C 3/0255; A47C 3/12; A47C 5/04;
A45F 3/22; A45F 3/24; A45F 3/26; A63G
9/00; A63G 9/12
See application file for complete search history.

D531,826 S *	11/2006	Nutsos	D6/347
D548,472 S *	8/2007	Habing	D6/347
D660,608 S *	5/2012	Hasman	D6/347
D699,453 S *	2/2014	Weng	D6/347
D705,552 S *	5/2014	Zheng	D6/347
D705,553 S *	5/2014	Zheng	D6/347
D734,046 S *	7/2015	Shen	D6/347
D734,619 S *	7/2015	Pan	D6/347
D734,620 S *	7/2015	Fang	D6/347
D752,351 S *	3/2016	Pan	D6/347
D766,001 S *	9/2016	Stoter	D6/347
D771,962 S *	11/2016	Weng	D6/347
D774,786 S *	12/2016	Stoter	D6/347
D778,076 S *	2/2017	Shen	D6/347
D780,496 S *	3/2017	Stoter	D6/347
D781,060 S *	3/2017	Zhang	D6/348
D786,572 S *	5/2017	Shen	D6/347

* cited by examiner

Primary Examiner — Mimoso De
(74) *Attorney, Agent, or Firm* — Matthias Scholl, PC;
Matthias Scholl

(57) **CLAIM**

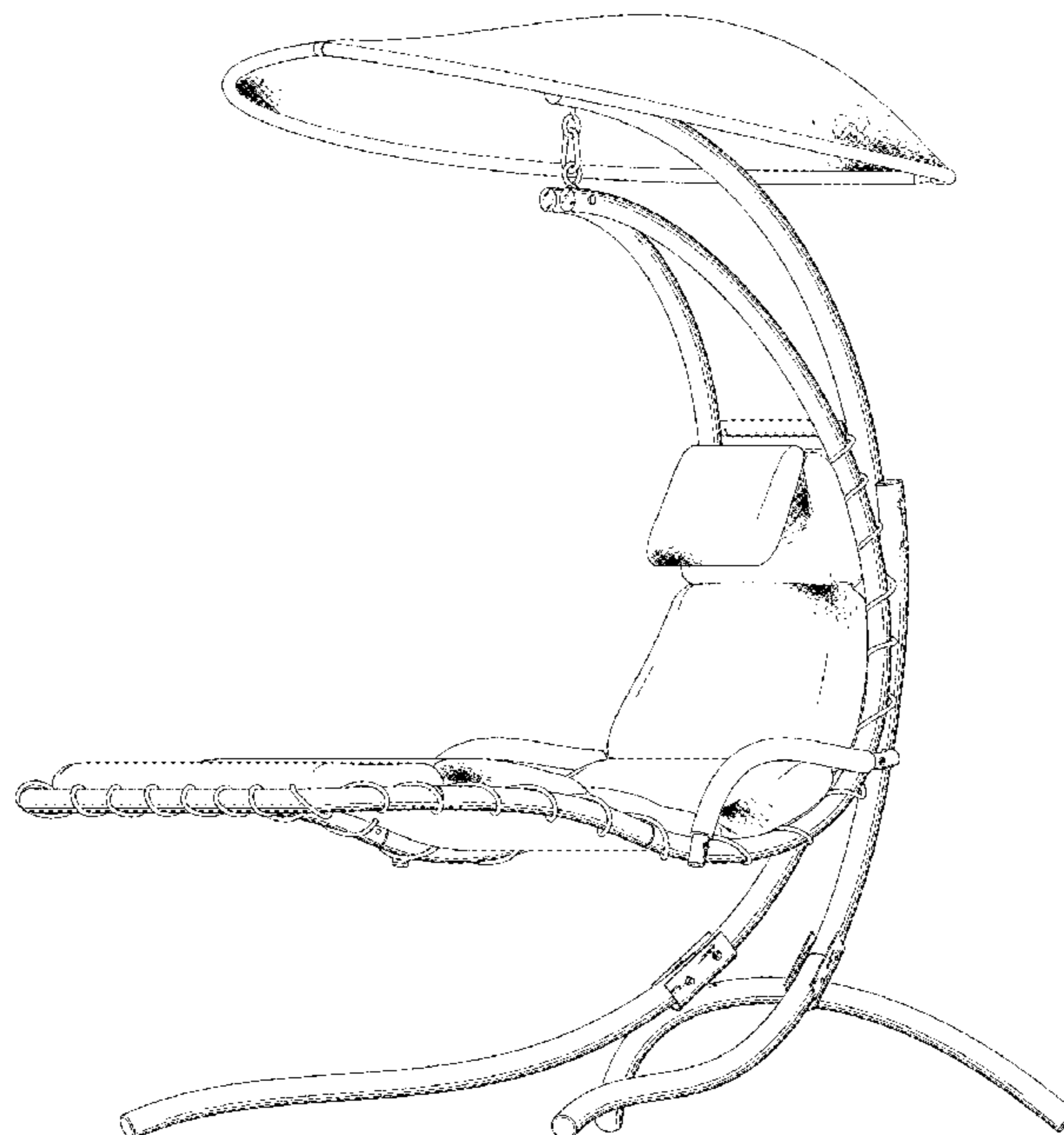
The ornamental design for a hammock, as shown and described.

DESCRIPTION

FIG. 1 is a front elevational view of a hammock;
FIG. 2 is a rear elevational view thereof;
FIG. 3 is a left side elevational view thereof;
FIG. 4 is a right side elevational view thereof;
FIG. 5 is a top plan view thereof;
FIG. 6 is a bottom plan view thereof; and,
FIG. 7 is a perspective view thereof.

1 Claim, 7 Drawing Sheets

(56) **References Cited**
U.S. PATENT DOCUMENTS
3,344,443 A * 10/1967 Bounell A47C 3/0255
5/120
3,834,757 A * 9/1974 Krupsky A47C 3/0255
297/277
5,588,702 A * 12/1996 Litwin A47C 3/0255
297/172



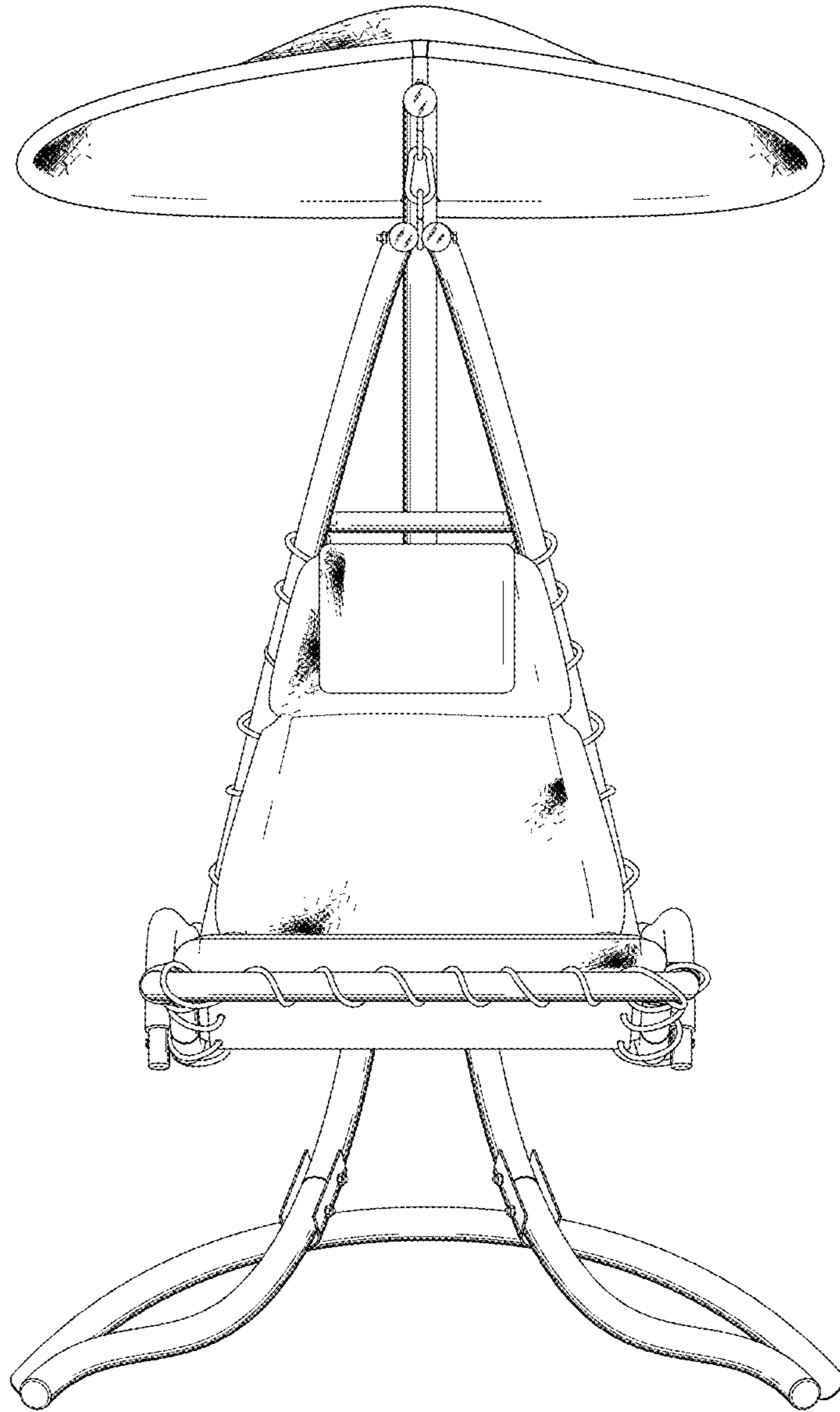


FIG. 1

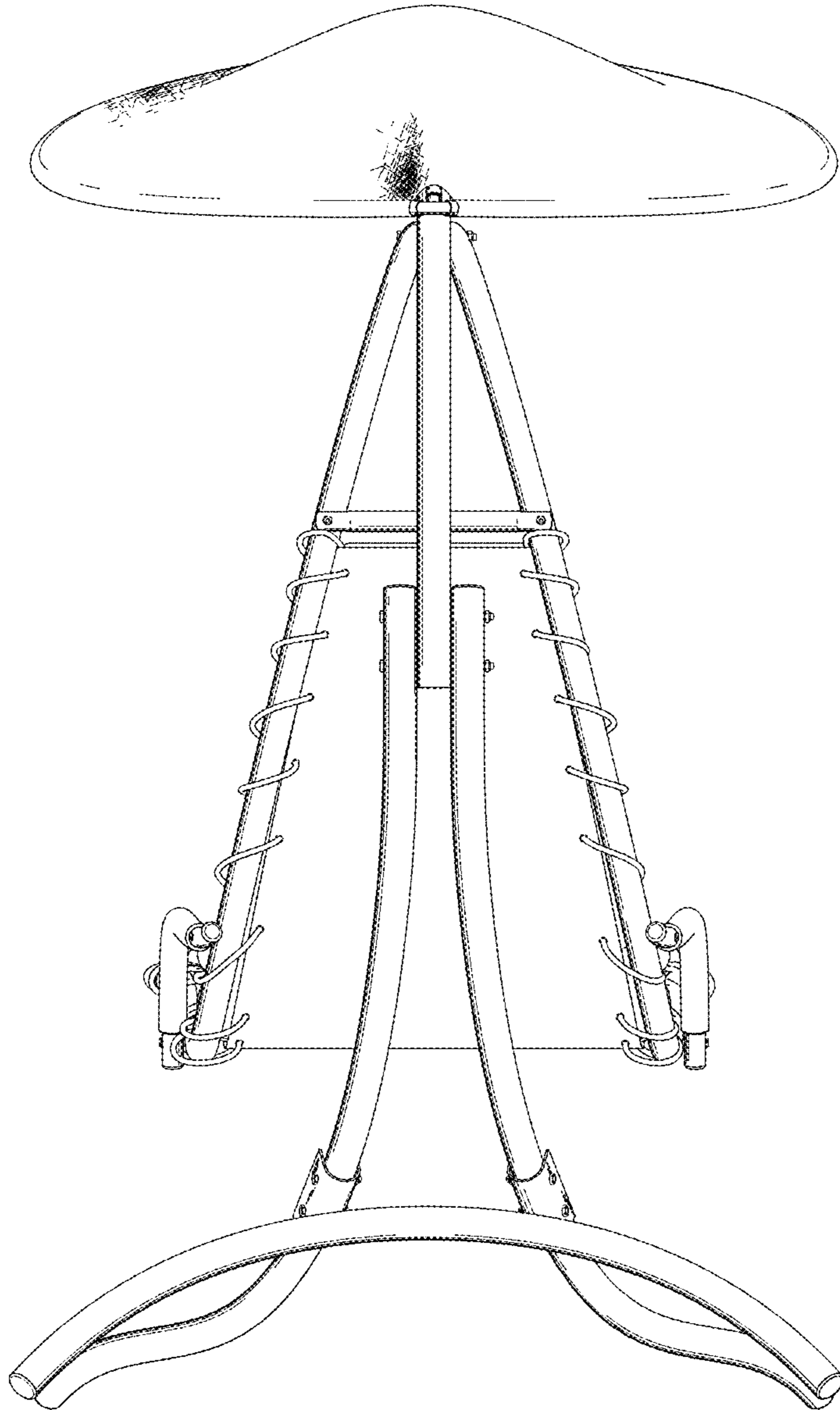


FIG. 2

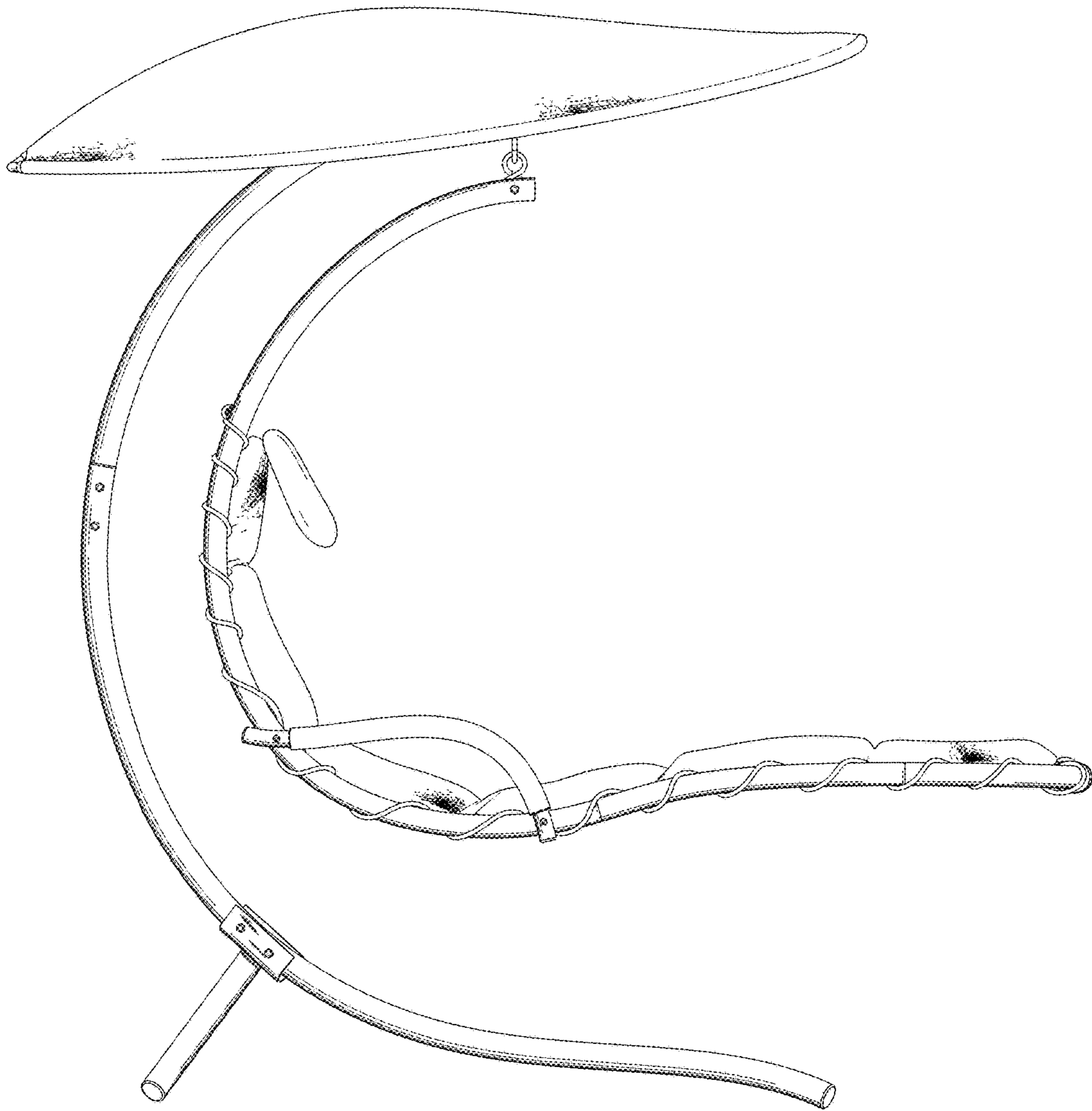


FIG. 3

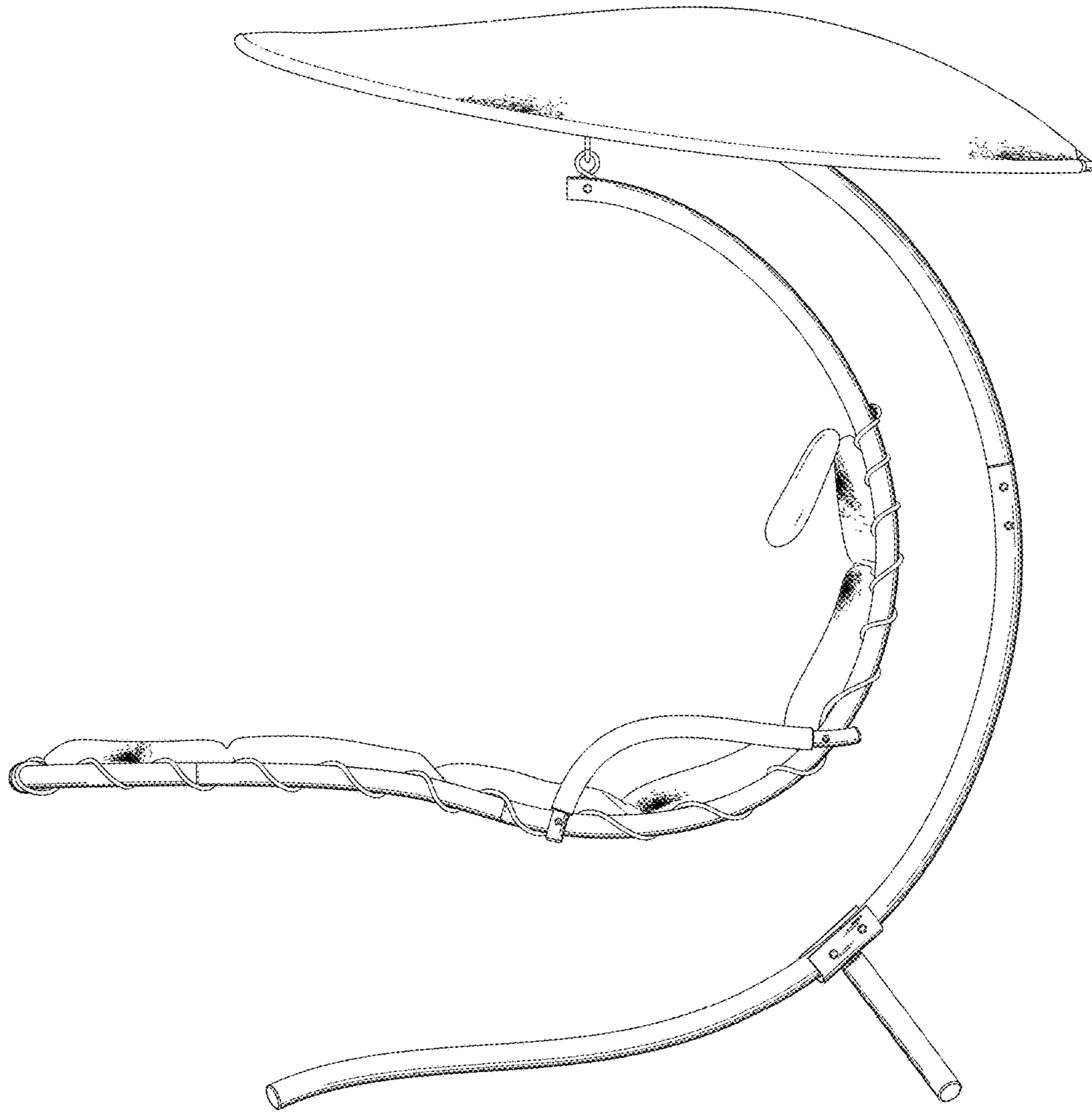


FIG. 4

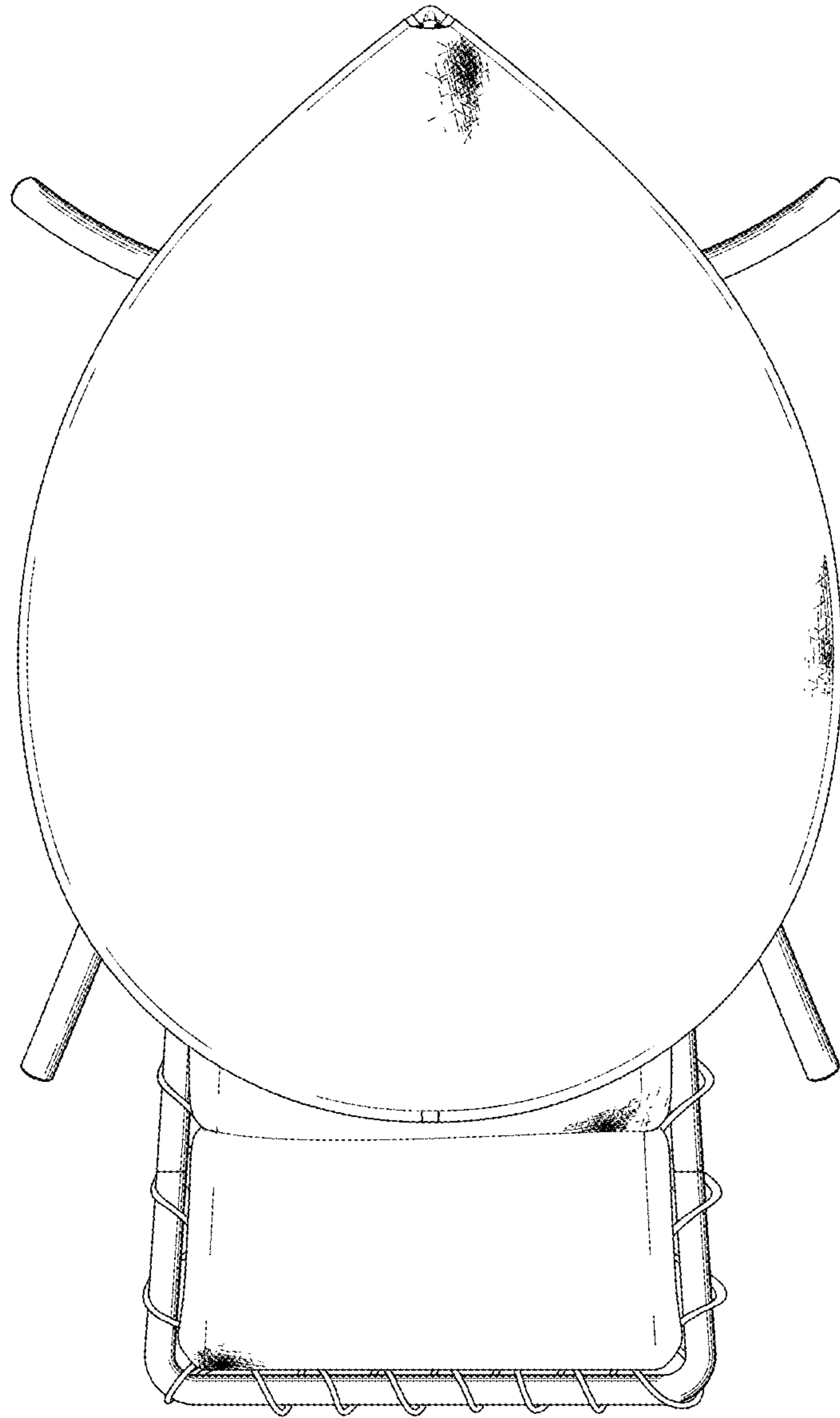


FIG. 5

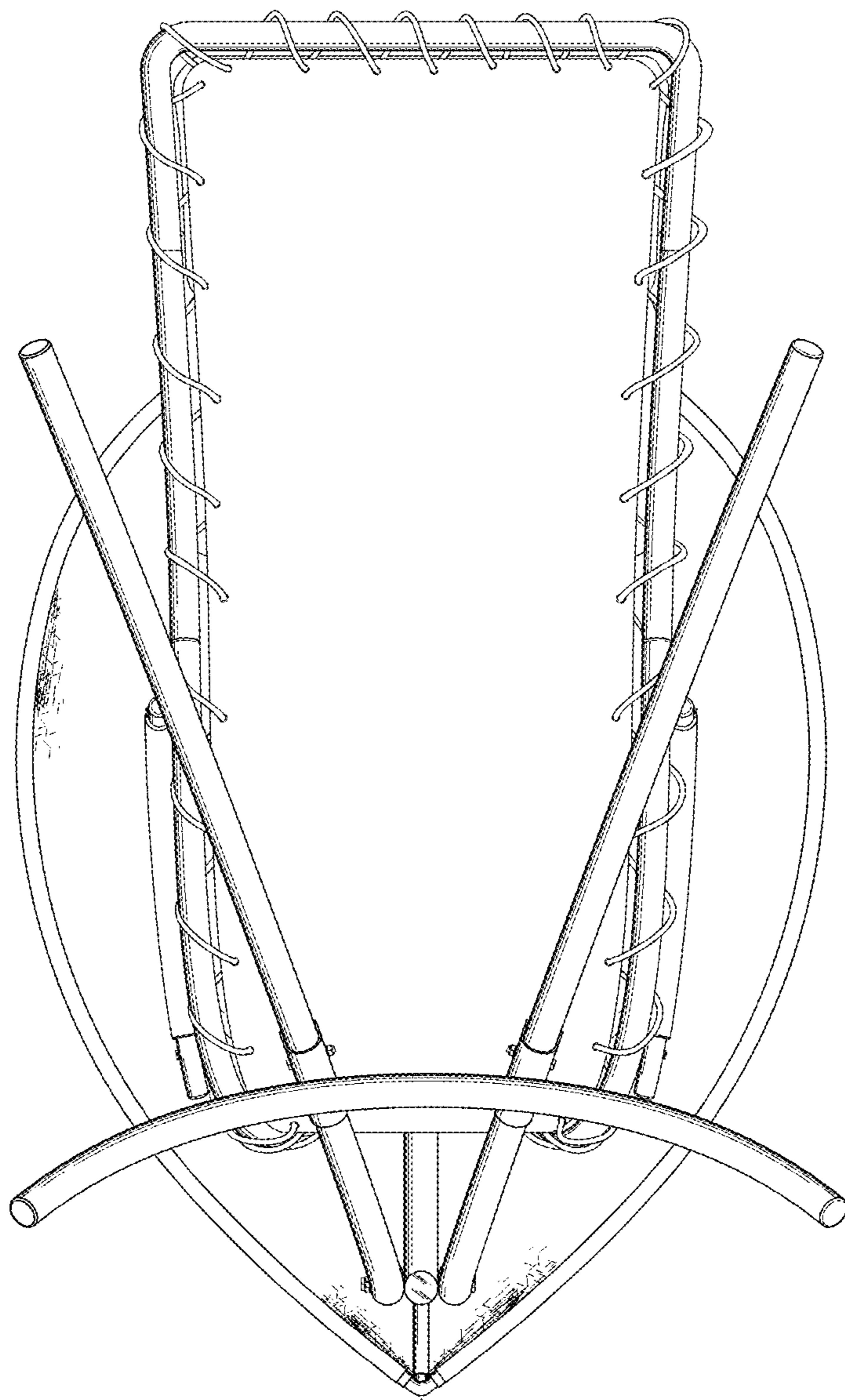


FIG. 6

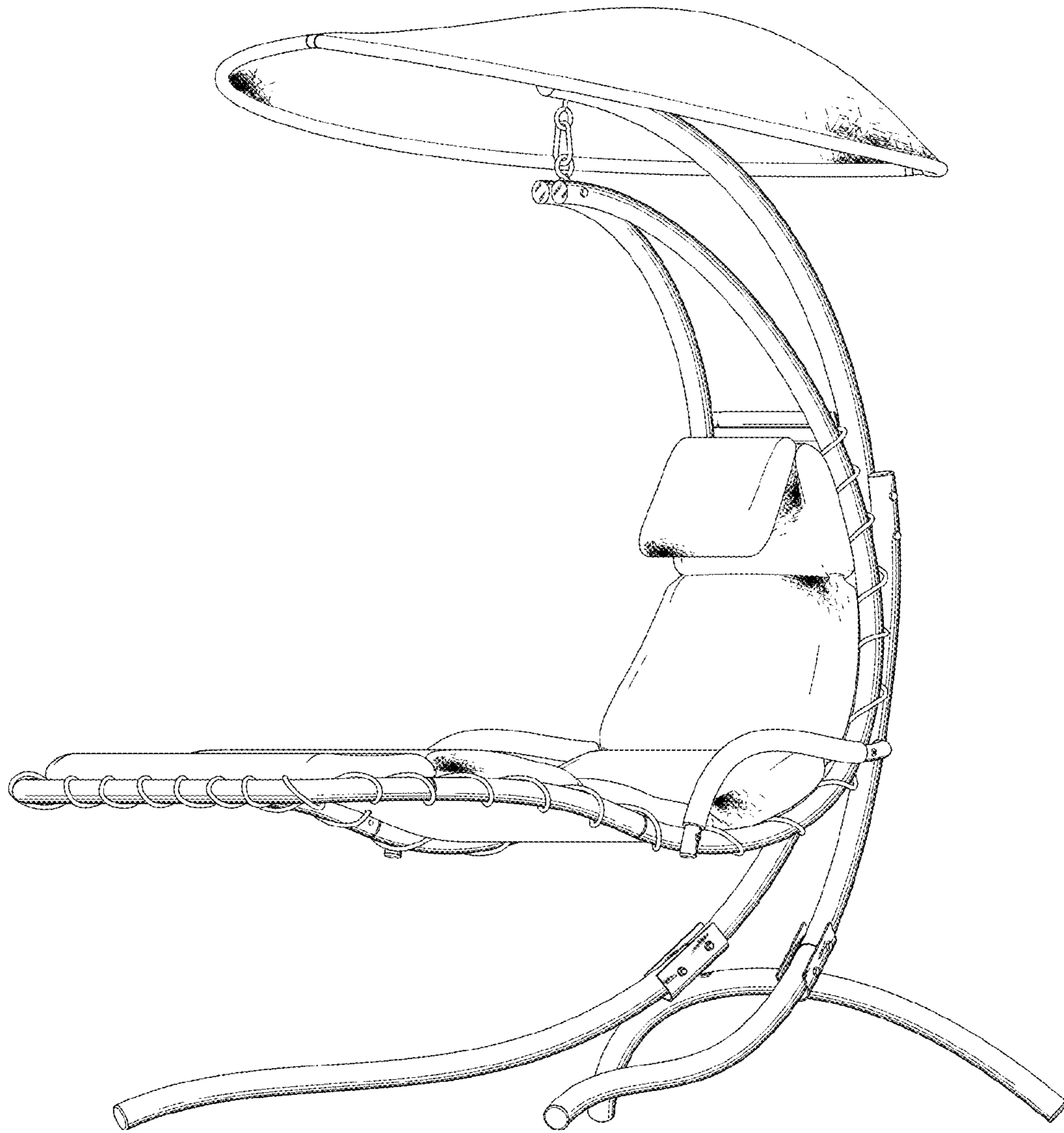


FIG. 7