



US00D801709S

(12) **United States Design Patent**
Stone et al.

(10) **Patent No.:** **US D801,709 S**

(45) **Date of Patent:** **** Nov. 7, 2017**

- (54) **CONTAINMENT APPARATUS**
- (71) Applicant: **Amigoware, Inc.**, Jenkintown, PA (US)
- (72) Inventors: **Jeffrey Stone**, Jenkintown, PA (US);
Valerie Stone, Jenkintown, PA (US)
- (73) Assignee: **AMIGOWARE, INC.**, Jenkintown, PA (US)
- (**) Term: **15 Years**
- (21) Appl. No.: **29/591,491**
- (22) Filed: **Jan. 20, 2017**

Related U.S. Application Data

- (63) Continuation of application No. 15/061,365, filed on Mar. 4, 2016, now abandoned.
- (51) **LOC (10) Cl.** **06-01**
- (52) **U.S. Cl.**
USPC **D6/339**
- (58) **Field of Classification Search**
USPC D12/128–130; D6/333, 339, 364, 329, D6/332, 334, 335, 363, 368, 629, 631, D6/643; D21/533–535, 476, 419, 426, D21/414; 280/647, 642, 771, 7.1, 7.17, 280/87.041, 87.05, 47.38, 250.1; 267/5; 135/65–67, 130, 137, 117, 119, 97, 143, 135/115, 123–126, 128; 224/409; 482/66, 69; 297/5, 6, 213; 446/478, 487; 220/93.3, 9.2, 9.4
CPC A47D 13/043; A47D 13/107; A47D 13/04; B62B 7/12; E04H 15/00; E04H 15/48; E04H 15/34; E04H 15/001; E04H 15/40; E04H 15/42; E04H 15/003; E04H 15/14; E04H 15/425
See application file for complete search history.

(56) **References Cited**

U.S. PATENT DOCUMENTS

- 2,672,614 A 3/1954 Zimmerman et al.
- 2,767,403 A 10/1956 Givens et al.

- 5,348,368 A 9/1994 Garcia et al.
- 5,560,385 A * 10/1996 Zheng A63B 9/00
135/117
- 6,360,761 B1 3/2002 Zheng et al.
- 7,284,289 B1 * 10/2007 Biagini A47D 15/003
5/98.1

(Continued)

Primary Examiner — Abraham Bahta

(74) *Attorney, Agent, or Firm* — Volpe and Koenig, P.C.

(57) **CLAIM**

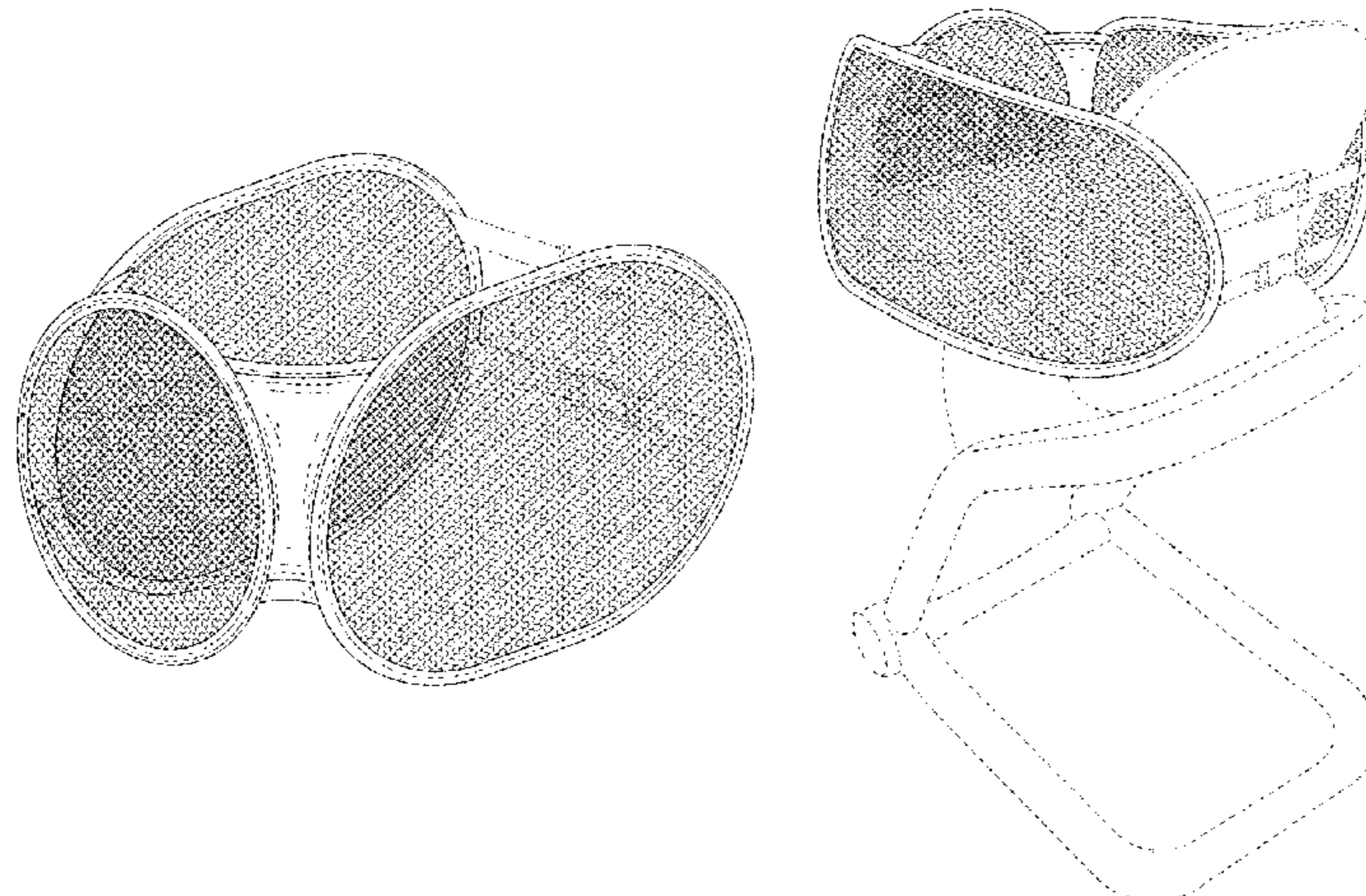
The ornamental design for a containment apparatus, as shown and described.

DESCRIPTION

FIG. 1 is a perspective view of a containment apparatus according to our invention in a standing opened condition; FIG. 2 is a front view of the containment apparatus in FIG. 1; FIG. 3 is a rear view of the containment apparatus in FIG. 1; FIG. 4 is right side view of the containment apparatus in FIG. 1; FIG. 5 is a left side view of the containment apparatus in FIG. 1; FIG. 6 is bottom view of the containment apparatus in FIG. 1; FIG. 7 is top view of the containment apparatus in FIG. 1; FIG. 8 is perspective view of the containment apparatus in FIG. 1 on an article of furniture; FIG. 9 is plan view of the containment apparatus in FIG. 1 in a laid open condition; and, FIG. 10 is plan view of the containment apparatus in FIG. 1 in a folded condition.

The broken lines illustrate environmental structure and form no part of the claimed design.

1 Claim, 10 Drawing Sheets



(56)

References Cited

U.S. PATENT DOCUMENTS

7,716,749 B2 5/2010 Perazzo et al.
8,727,435 B2 5/2014 Centracco et al.
D776,779 S * 1/2017 Pescovitz D21/836
2005/0247415 A1 11/2005 Conforti et al.

* cited by examiner

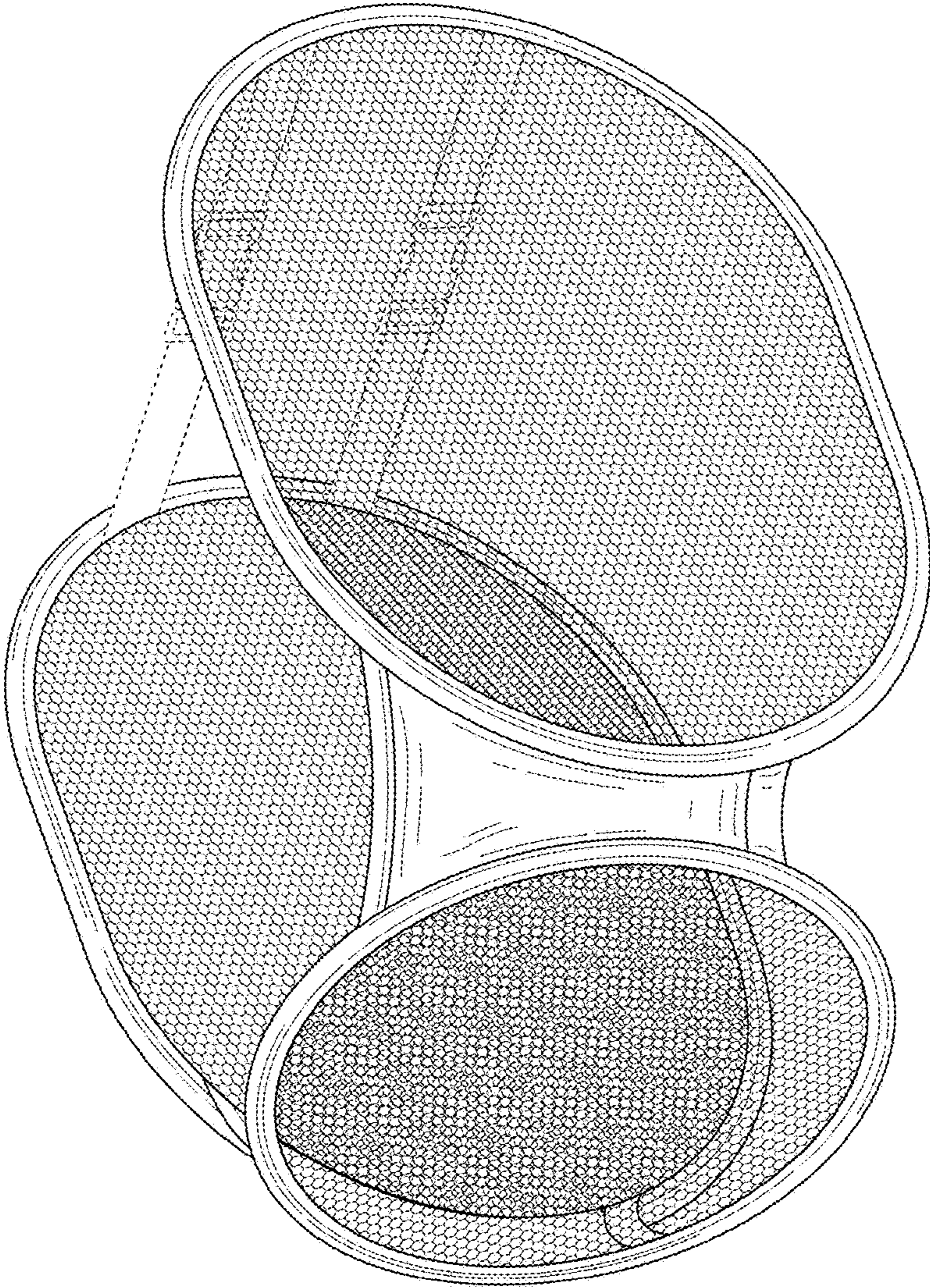


FIG. 1

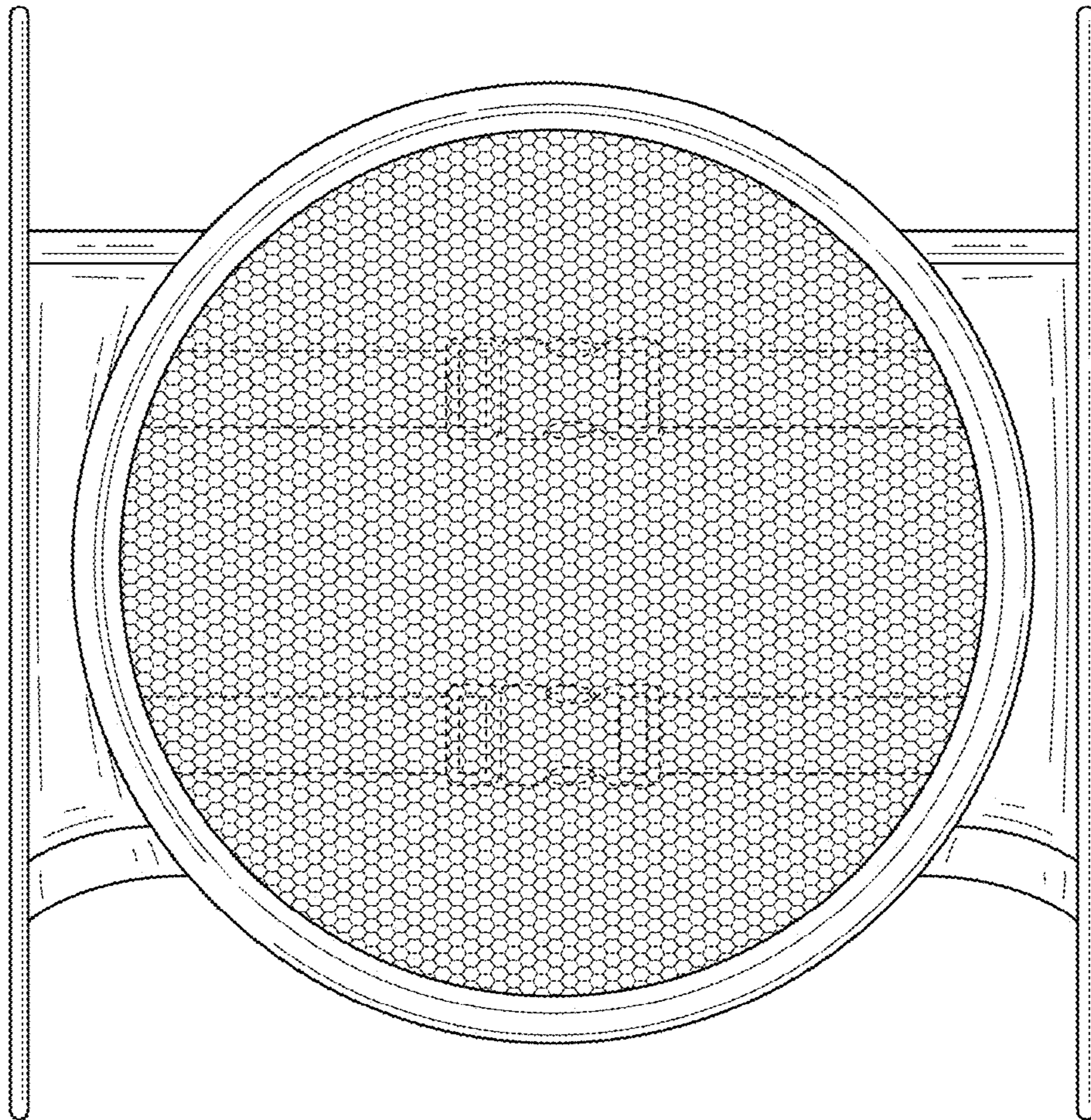


FIG. 2

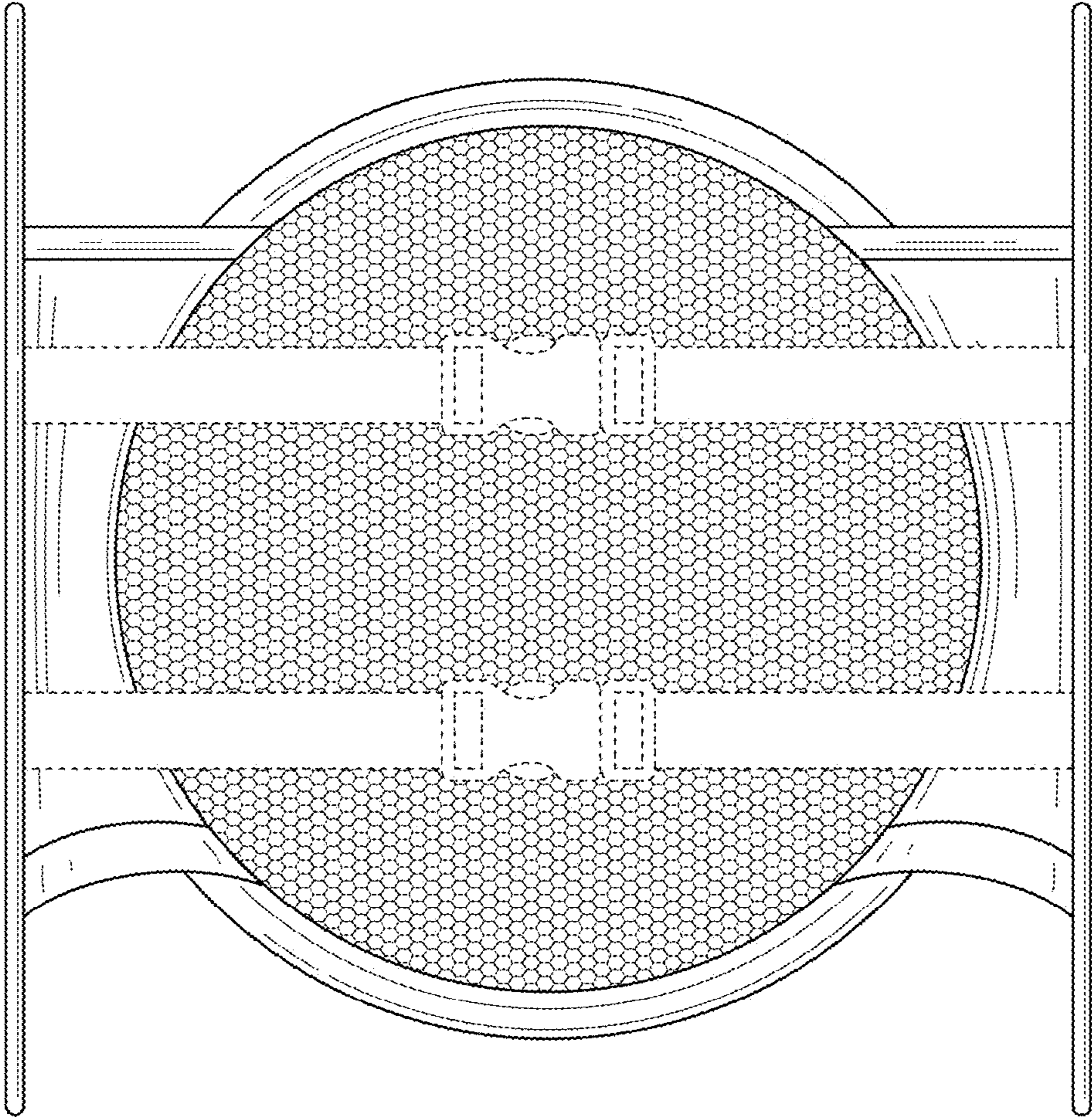


FIG. 3

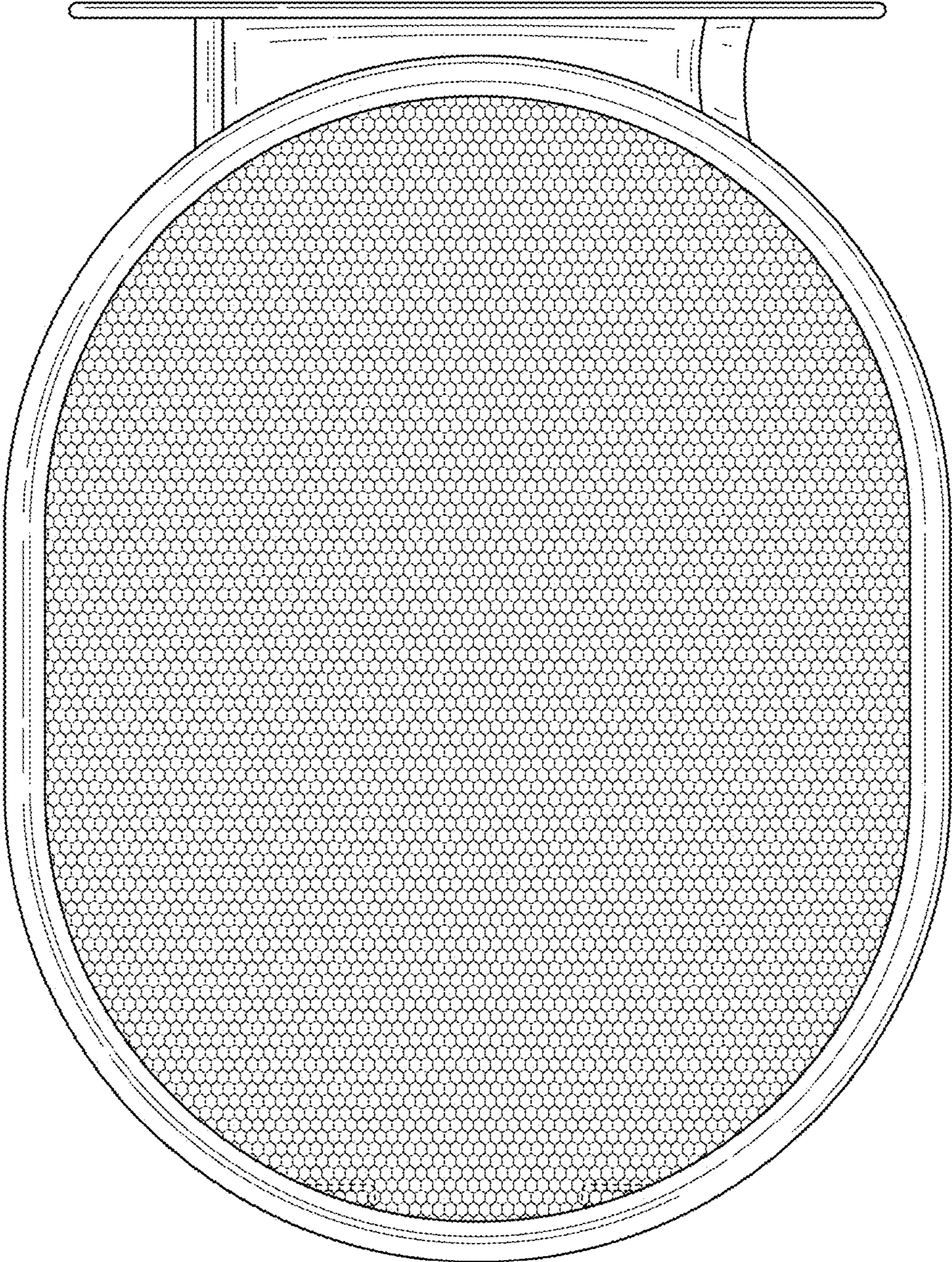


FIG. 4

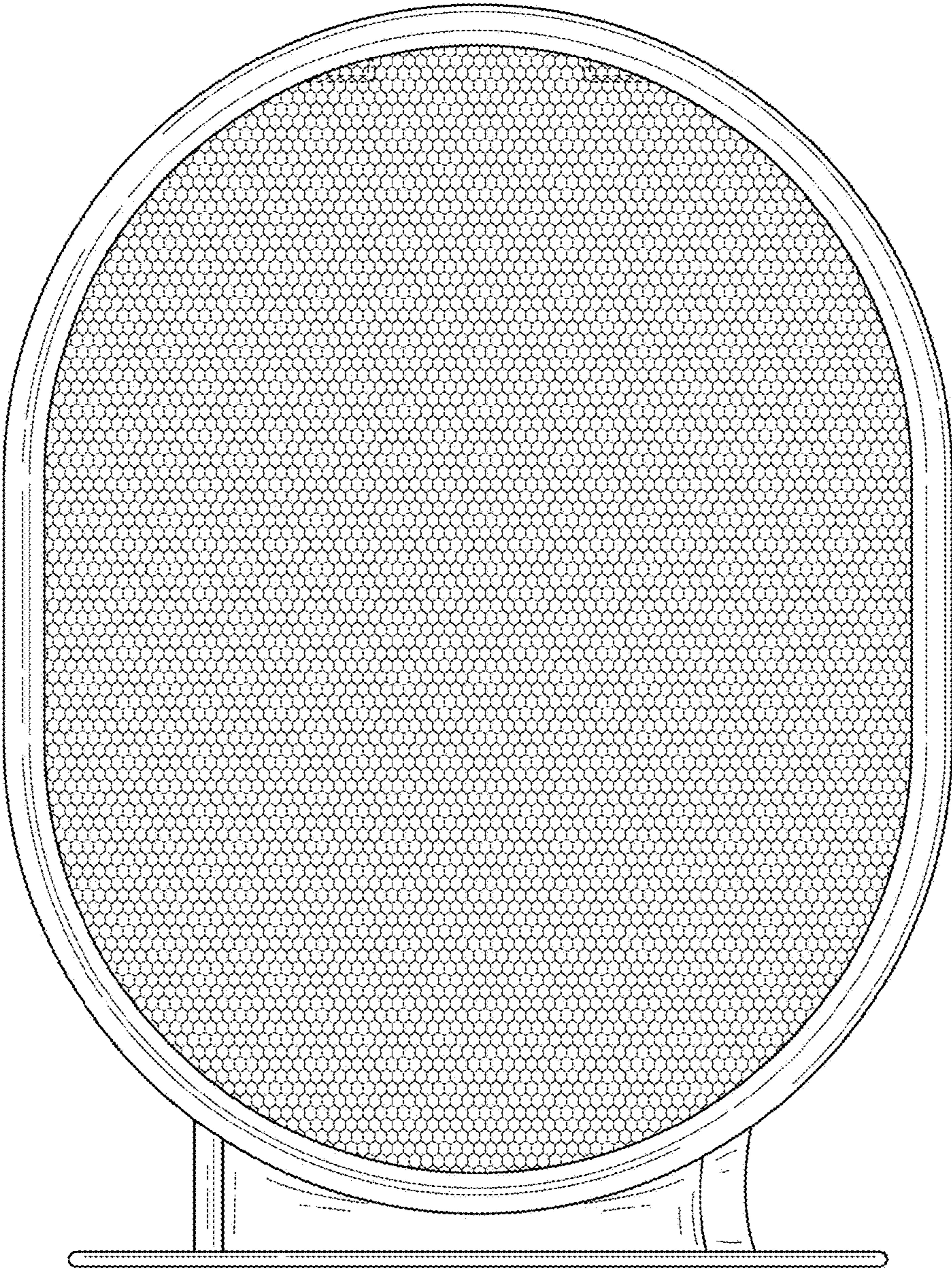


FIG. 5

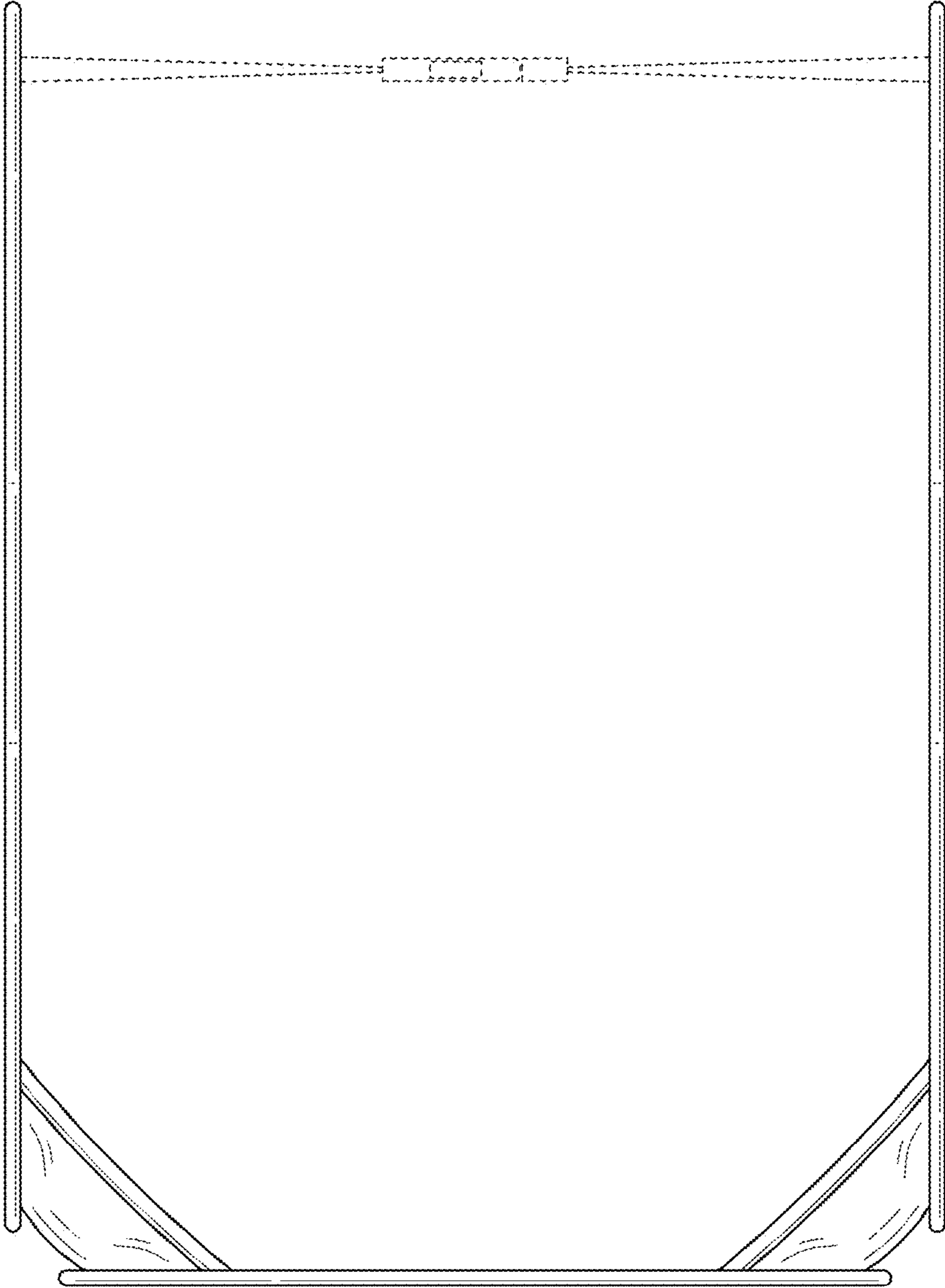


FIG. 6

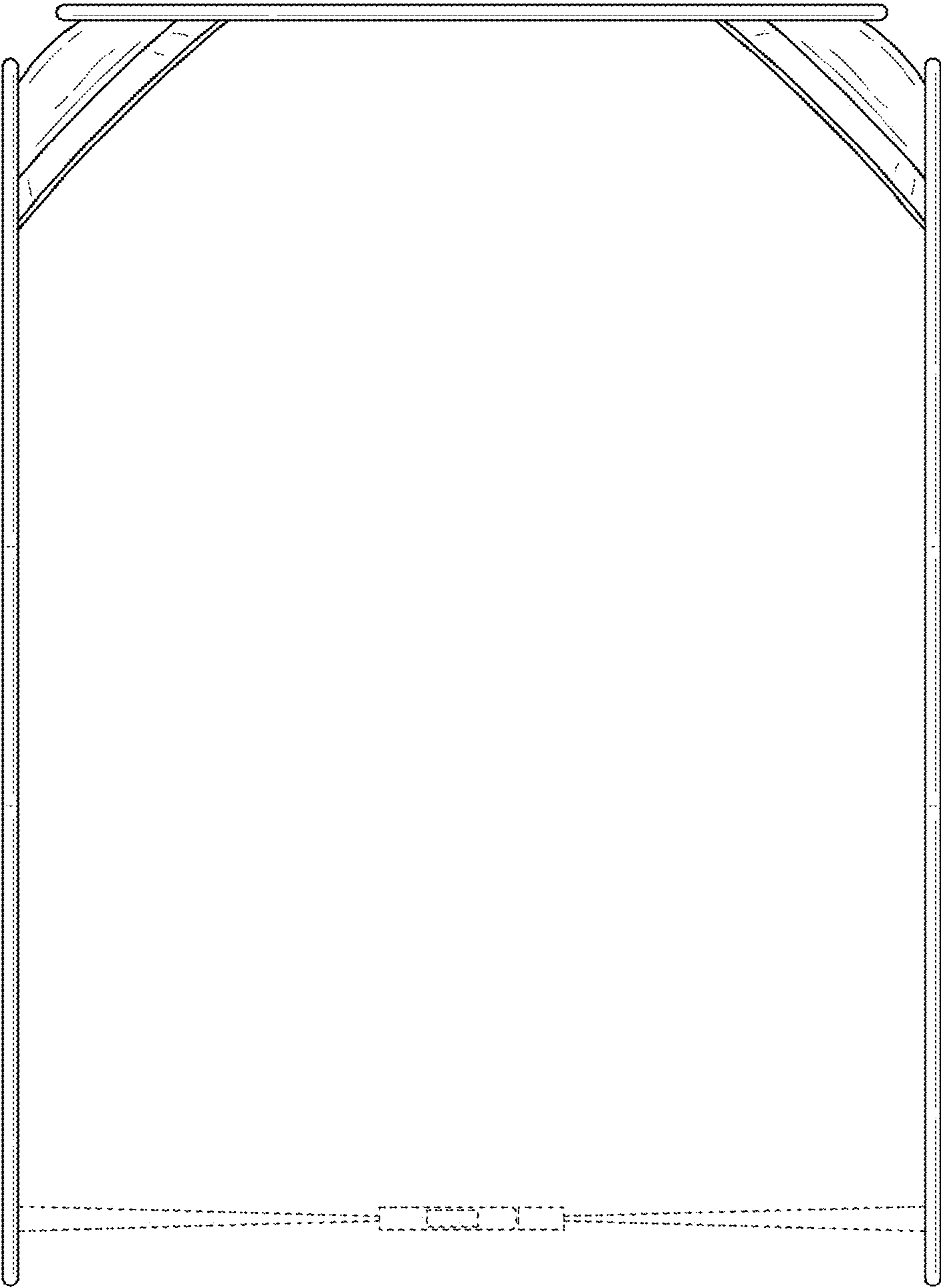


FIG. 7

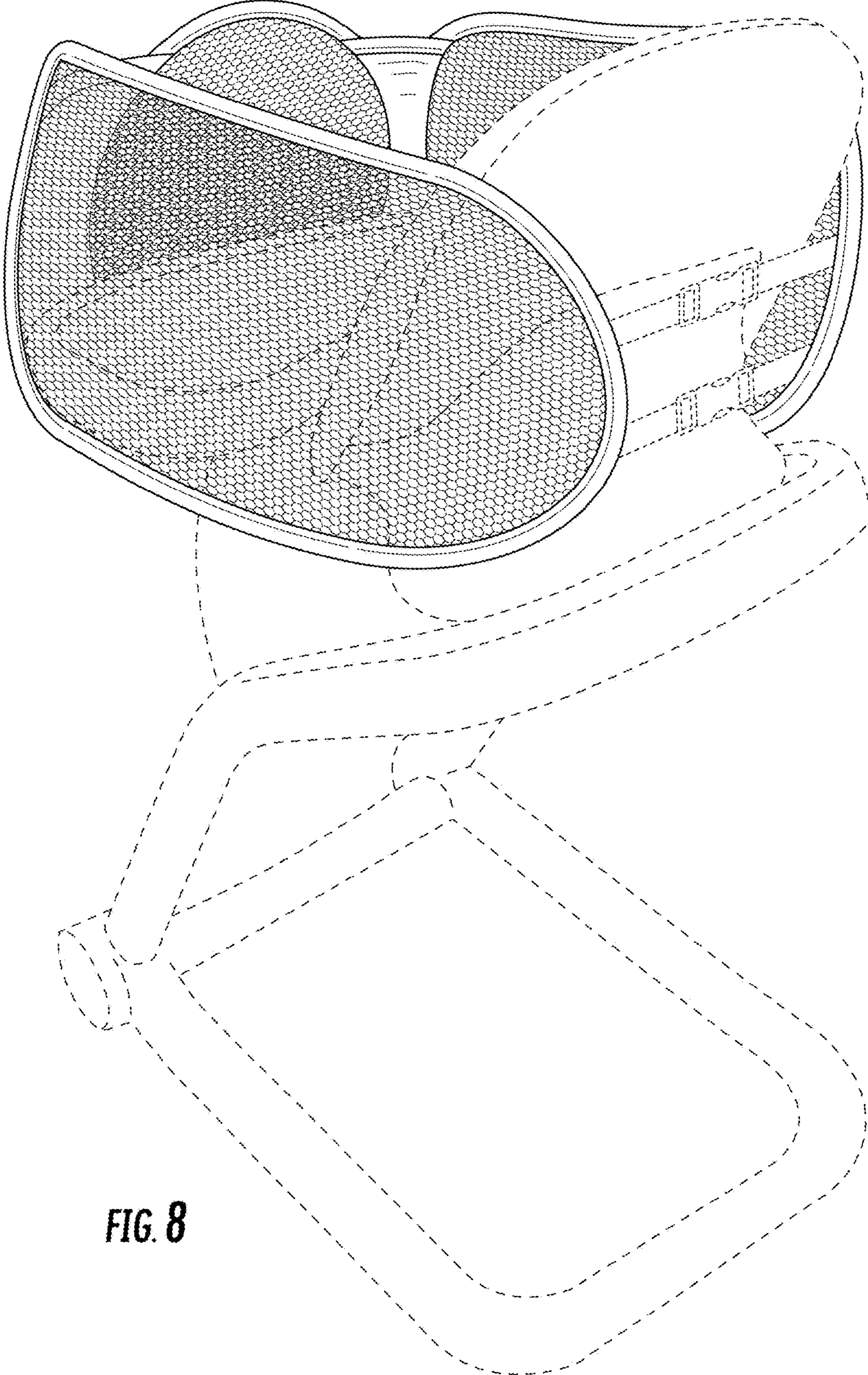


FIG. 8

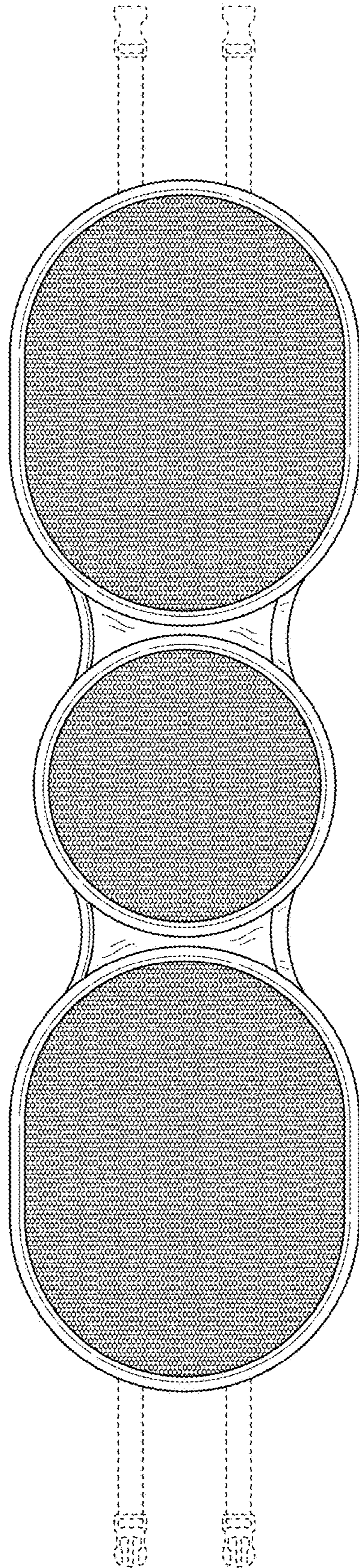


FIG. 9

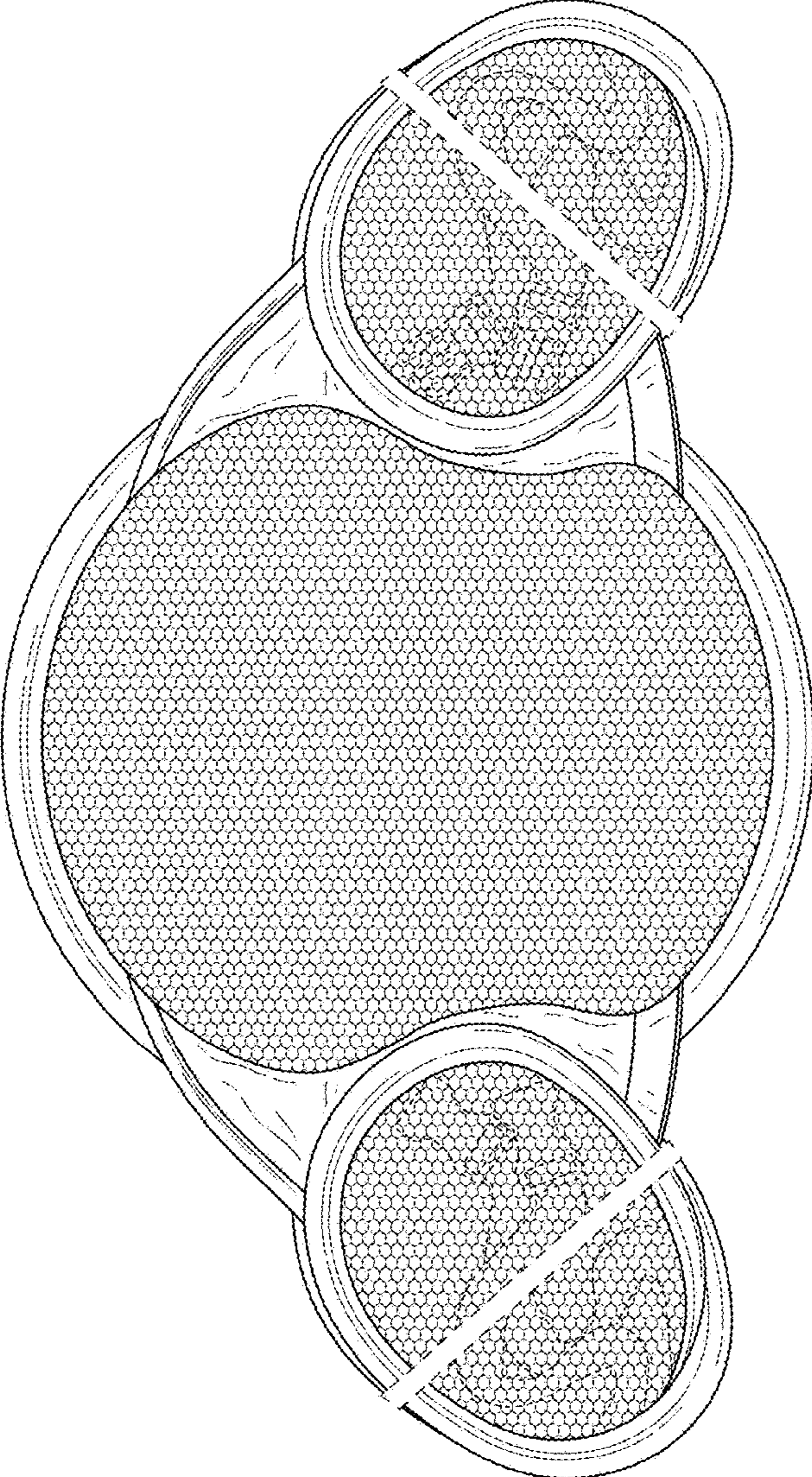


FIG. 10