



US00D801708S

(12) **United States Design Patent**  
**Petrucelli**

(10) **Patent No.:** **US D801,708 S**

(45) **Date of Patent:** **\*\* Nov. 7, 2017**

(54) **PEDICURE CHAIR**

(71) Applicant: **P.S. Pibbs, Inc.**, Flushing, NY (US)

(72) Inventor: **Giulio Petrucelli**, Flushing, NY (US)

(73) Assignee: **P.S. PIBBS, INC.**, Flushing, NY (US)

(\*\*) Term: **15 Years**

(21) Appl. No.: **29/556,968**

(22) Filed: **Mar. 4, 2016**

(51) **LOC (10) Cl.** ..... **06-01**

(52) **U.S. Cl.**  
USPC ..... **D6/335**

(58) **Field of Classification Search**  
USPC ..... D6/334, 335, 336, 338, 342, 360, 367,  
D6/368, 369, 371-375, 377, 378, 381,  
D6/708.18; D24/201, 204  
CPC ..... A61H 35/006; A61H 2201/0149; A61H  
2205/12; A47C 7/50; A47C 1/04  
See application file for complete search history.

(56) **References Cited**

**U.S. PATENT DOCUMENTS**

- D219,443 S \* 12/1970 Hubel ..... D6/335
- 3,575,465 A \* 4/1971 Dolby ..... A47B 83/00  
206/821
- D224,858 S \* 10/1972 Leino ..... D6/371

- D230,784 S \* 3/1974 Lo Turco ..... 297/250.1
- D526,505 S \* 8/2006 Gruenwald ..... D6/381
- D541,060 S \* 4/2007 Fugate ..... D6/335
- D583,576 S \* 12/2008 Tran ..... D6/336
- D619,384 S \* 7/2010 Lee ..... D6/367
- D620,720 S \* 8/2010 Wang ..... D6/336
- D722,778 S \* 2/2015 Miller ..... D24/204

\* cited by examiner

*Primary Examiner* — Deanna L Pratt

(74) *Attorney, Agent, or Firm* — Gerald E. Hespos;  
Michael J. Porco; Matthew T. Hespos

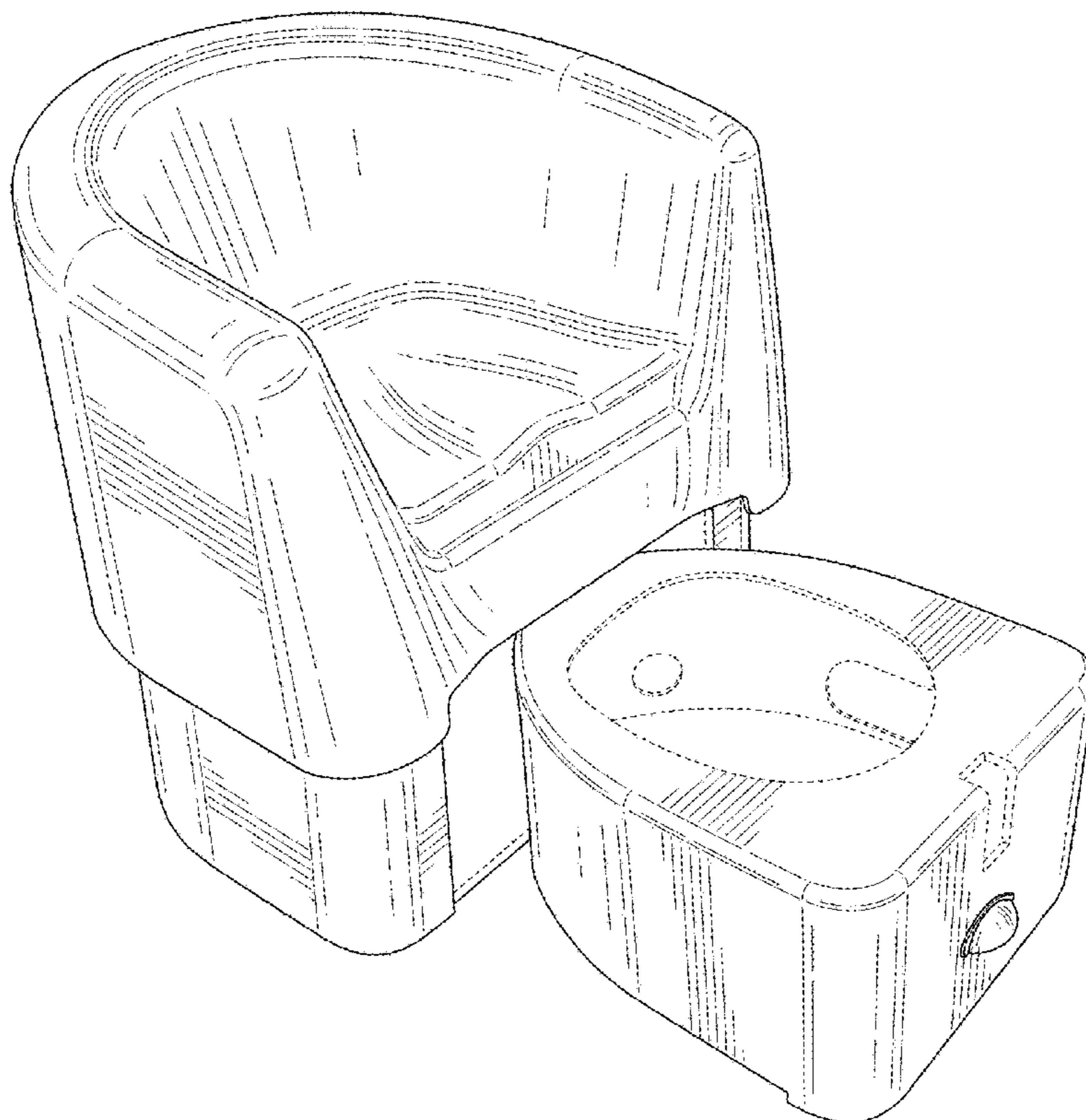
(57) **CLAIM**

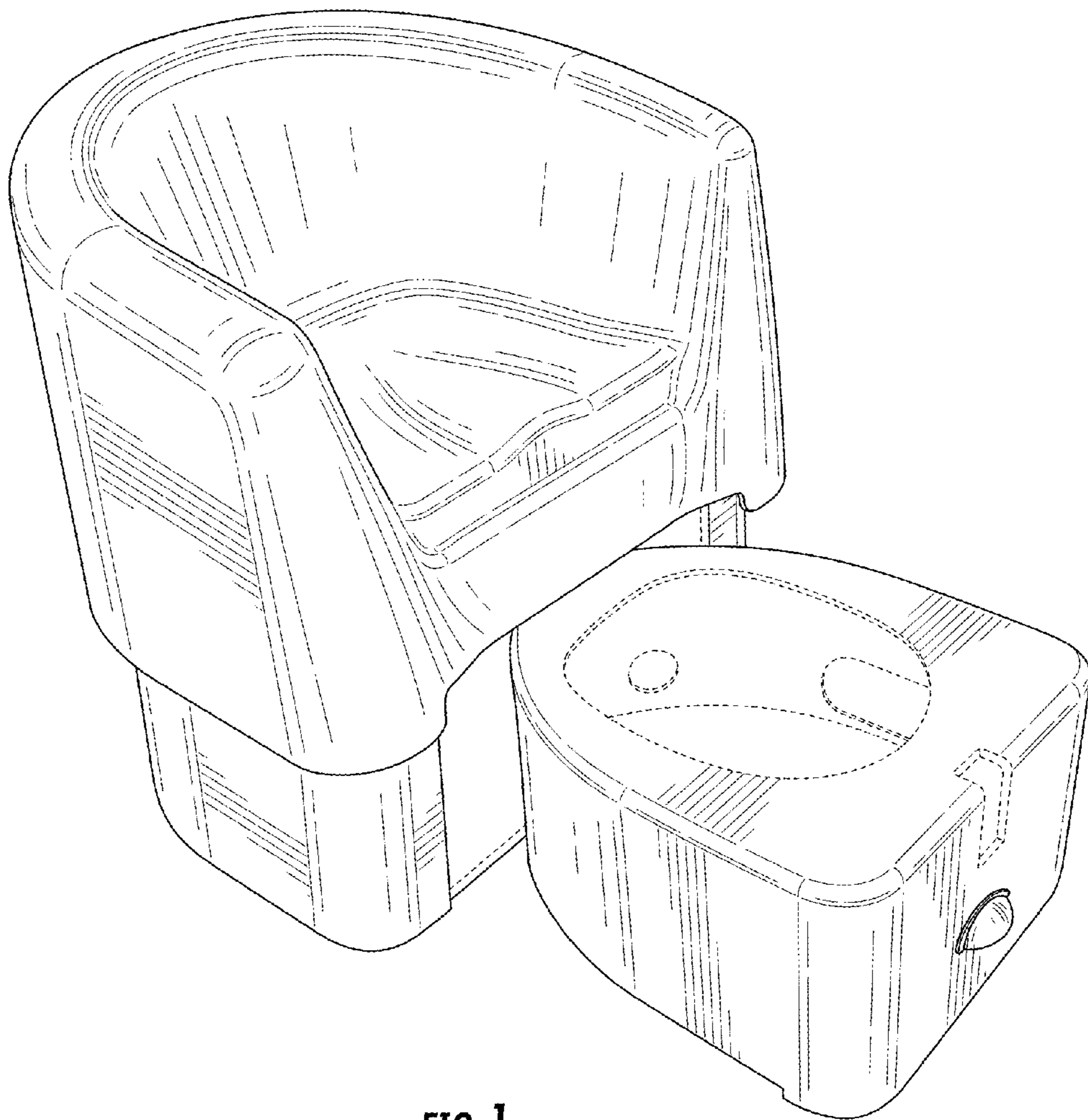
The ornamental design for a pedicure chair, as shown and described.

**DESCRIPTION**

FIG. 1 is a perspective view of a pedicure chair in accordance with my design;  
 FIG. 2 is a front elevational view of the pedicure chair of FIG. 1;  
 FIG. 3 is a rear elevational view thereof;  
 FIG. 4 is a side elevational view thereof as viewed from the left side of FIG. 1;  
 FIG. 5 is a side elevational view thereof as viewed from the right side of FIG. 1;  
 FIG. 6 is a top plan view thereof; and,  
 FIG. 7 is a bottom plan view thereof.  
 The broken lines in the drawings illustrate portions of the pedicure chair that form no part of the claimed design.

**1 Claim, 7 Drawing Sheets**





**FIG. 1**

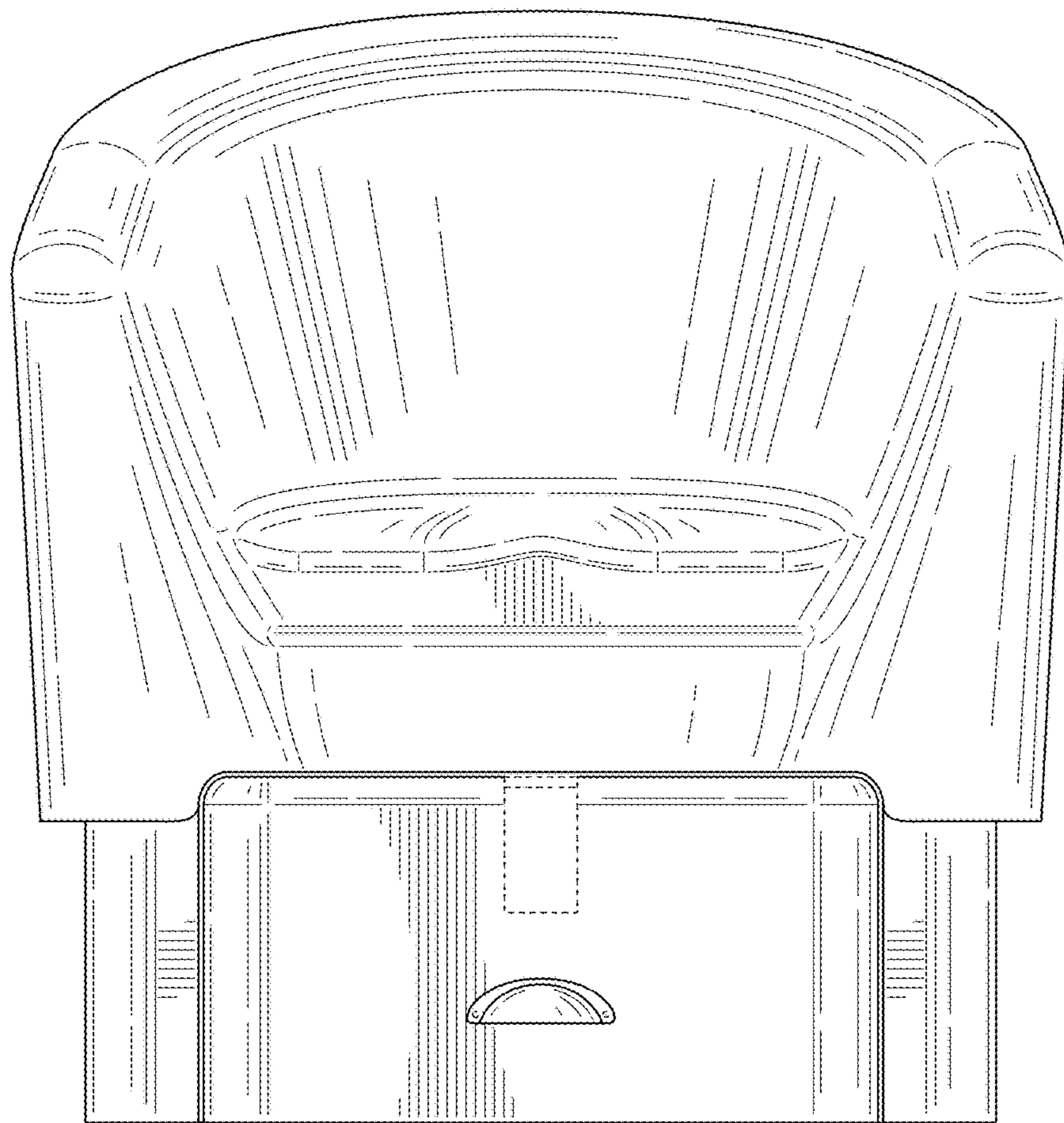


FIG. 2

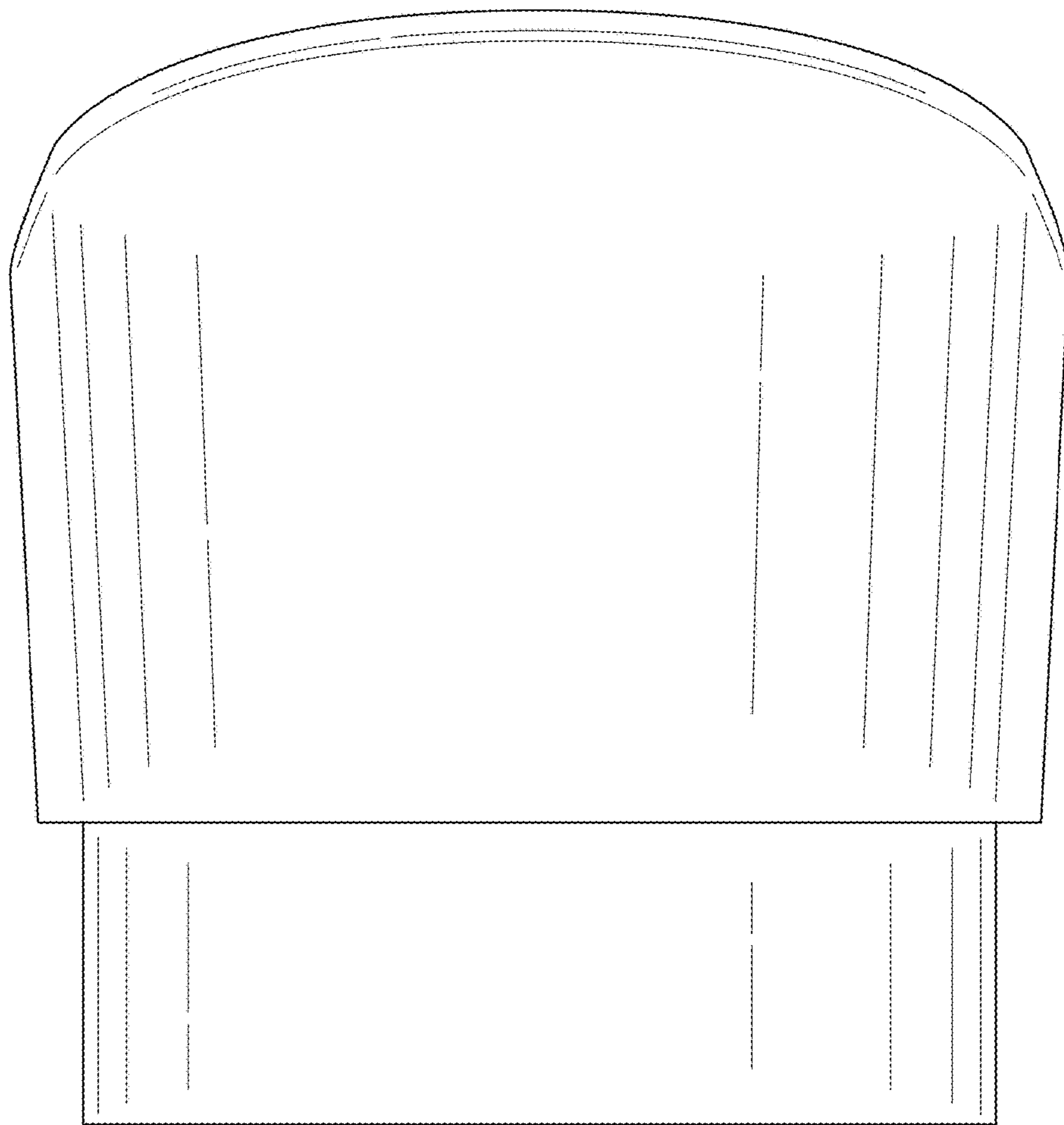


FIG. 3



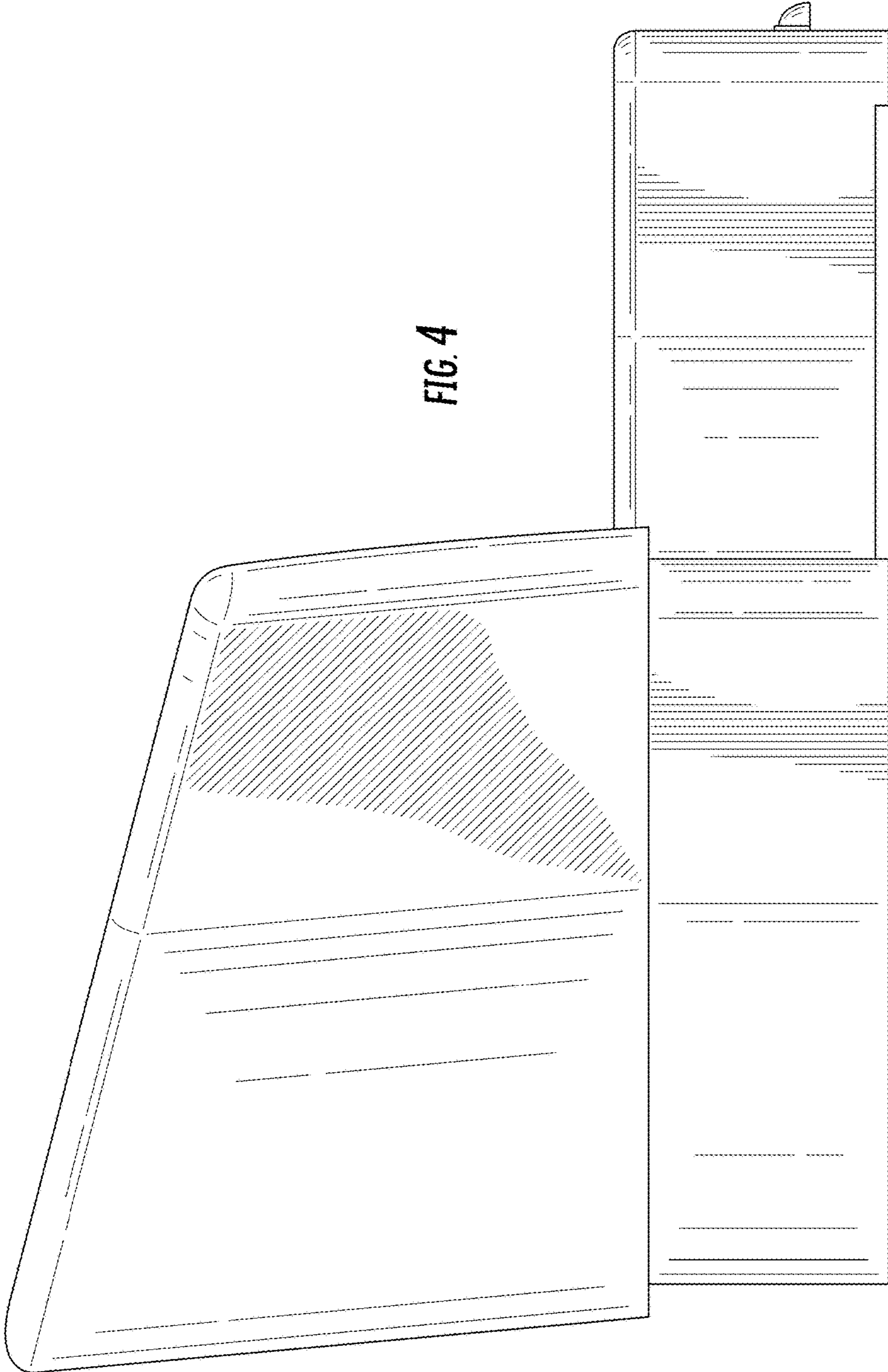


FIG. 4

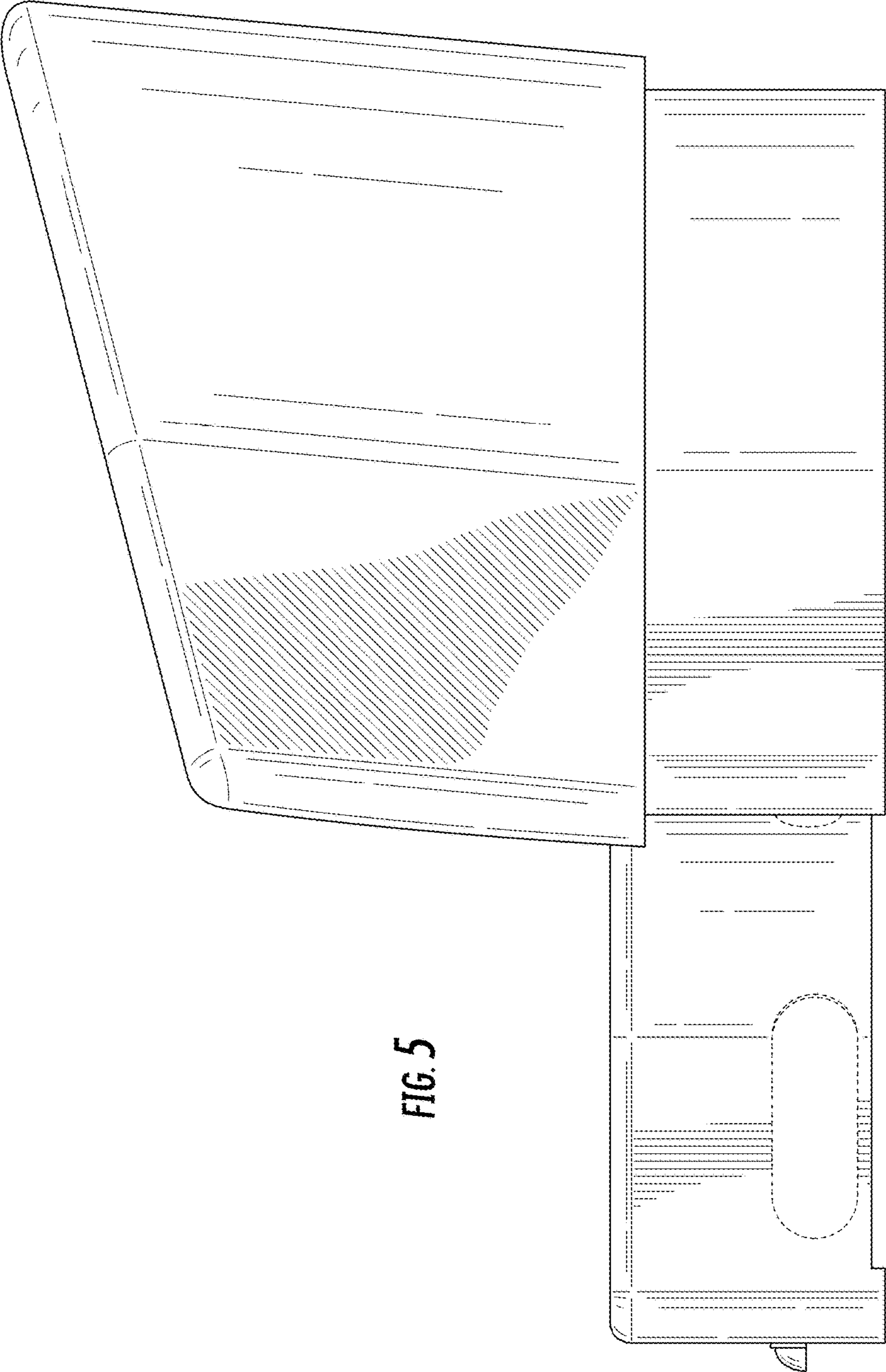


FIG. 5

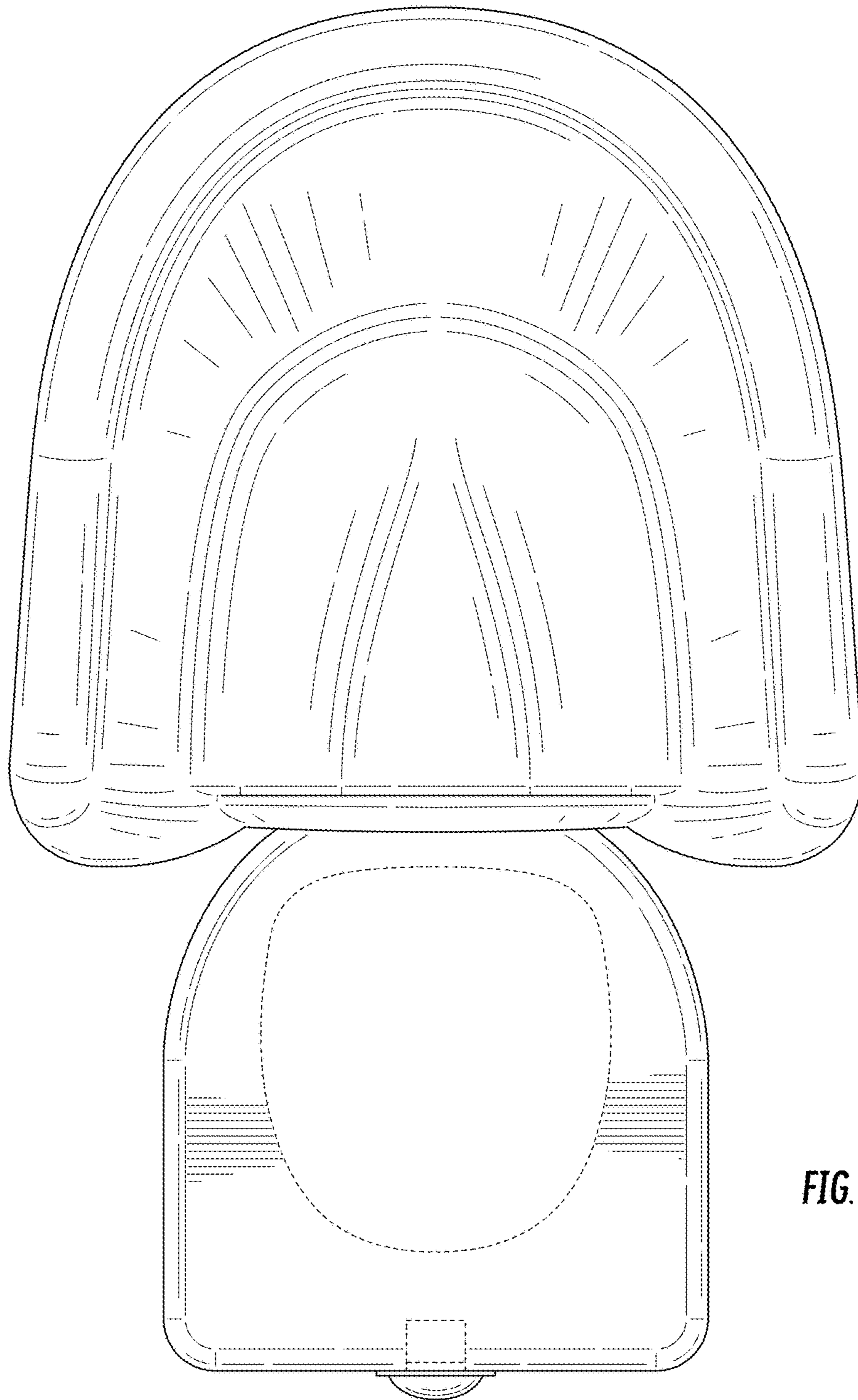


FIG. 6

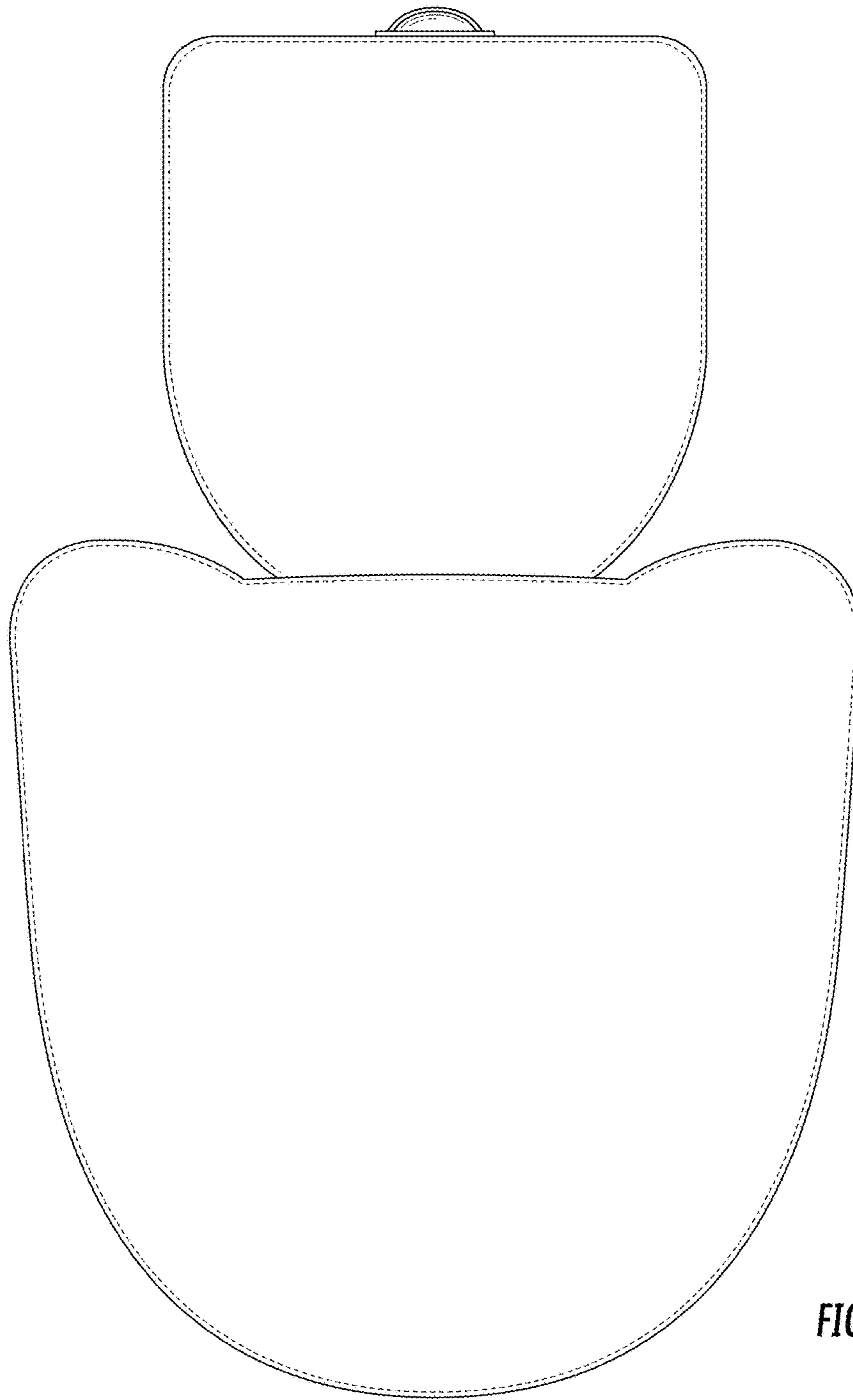


FIG. 7