



US00D801706S

(12) **United States Design Patent**  
**Kim**

(10) **Patent No.:** **US D801,706 S**  
(45) **Date of Patent:** **\*\* Nov. 7, 2017**

(54) **INFANT CAR SEAT AND STROLLER ADAPTER**

8,955,869 B2 \* 2/2015 Zehfuss ..... B62B 7/008  
280/642  
D730,067 S \* 5/2015 Santamaria ..... D6/333  
9,242,585 B2 \* 1/2016 Kozinski ..... B60N 2/2848

(71) Applicant: **Sunny Kim**, Astoria, NY (US)

\* cited by examiner

(72) Inventor: **Sunny Kim**, Astoria, NY (US)

(73) Assignee: **HELEN OF TROY LIMITED**, St. Michael (BB)

*Primary Examiner* — Abraham Bahta

(\*\*) Term: **15 Years**

(57) **CLAIM**

(21) Appl. No.: **29/580,134**

The ornamental design for an infant car seat and stroller adapter, as shown and described.

(22) Filed: **Oct. 6, 2016**

(51) **LOC (10) Cl.** ..... **06-01**

(52) **U.S. Cl.**  
USPC ..... **D6/333**

**DESCRIPTION**

(58) **Field of Classification Search**  
USPC ..... D6/333-336, 339, 344, 702, 716,  
D6/716.1-716.7; 297/183.1-183.4,  
297/184.13, 184.15, 184.17, 250.1, 255,  
297/256.1, 256.15, 219.12, 463.1;  
D12/129-130, 133; D21/412, 428, 419;  
280/30-31; 5/94, 98.1, 99.1, 101-102,  
5/105, 655, 93.1, 12.1; 24/200  
CPC ..... A47D 13/02; A47D 13/10; A47D 1/00;  
A47D 1/002; A47D 1/004; B60N 2/22;  
B60N 2/24; A47C 7/021; A47C 7/022;  
A47C 7/002; A47C 7/18; A47C 7/24;  
A47C 3/00; A47C 3/02; A47C 3/025;  
A47C 3/20; A47C 3/029; A47C 3/021;  
A47C 1/00; A47C 1/02; A47C 1/04;  
A47C 1/06; B62B 1/12

FIG. 1 is a perspective view of the infant car seat and stroller adapter;  
FIG. 2 is a left side view of the infant car seat and stroller adapter;  
FIG. 3 is a right side view of the infant car seat and stroller adapter;  
FIG. 4 is a front side view of the infant car seat and stroller adapter;  
FIG. 5 is a rear side view of the infant car seat and stroller adapter;  
FIG. 6 is a top view of the infant car seat and stroller adapter;  
and,  
FIG. 7 is a bottom view of the infant car seat and stroller adapter.

See application file for complete search history.

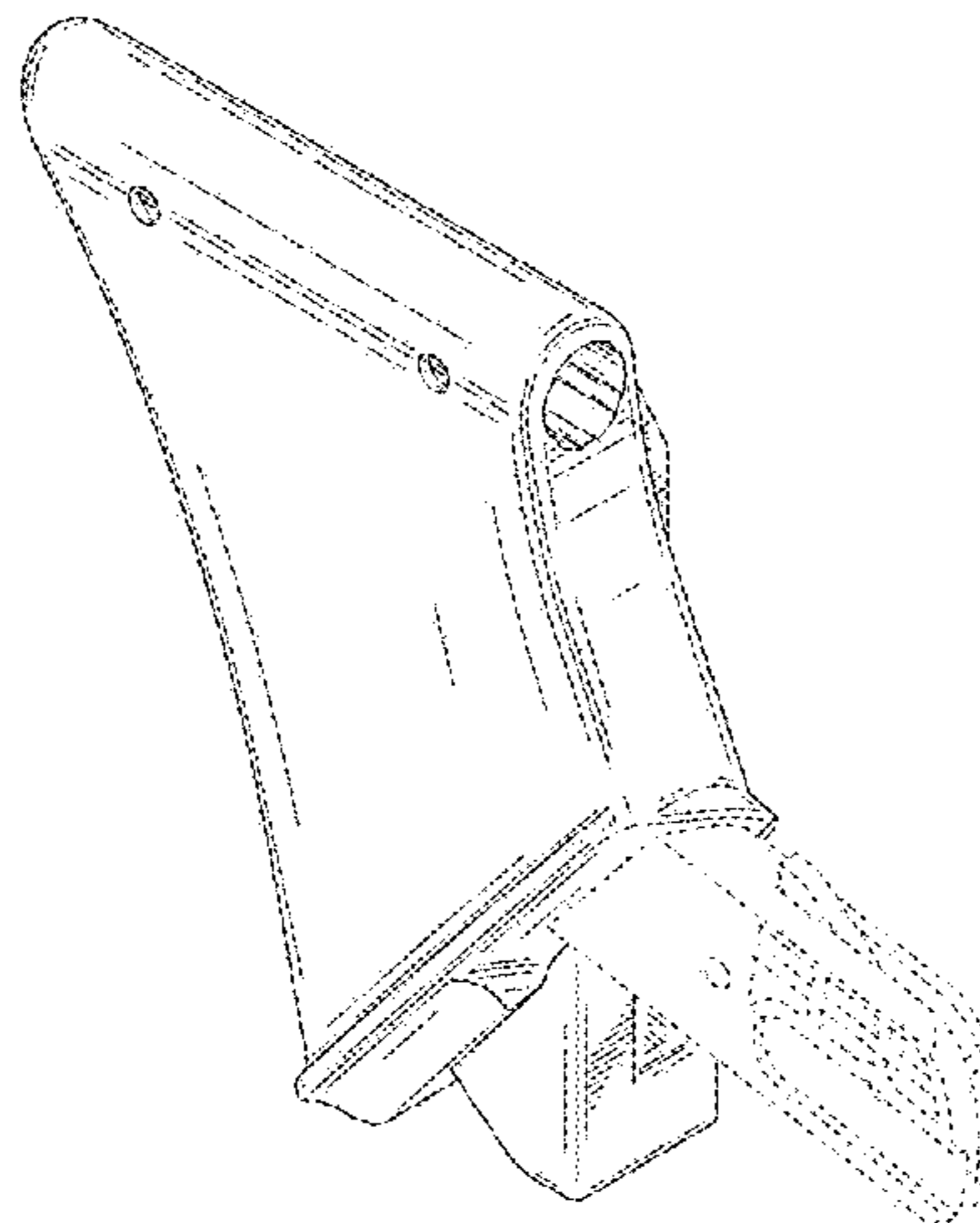
The broken lines illustrate a connection means between the adapter and stroller, which forms no part of the claimed design.

(56) **References Cited**

**U.S. PATENT DOCUMENTS**

D330,528 S \* 10/1992 Allen ..... D12/128  
D396,025 S \* 7/1998 Morrone ..... D12/129  
D524,560 S \* 7/2006 Berhow ..... D6/335  
D617,239 S \* 6/2010 Storm ..... D12/133

**1 Claim, 7 Drawing Sheets**



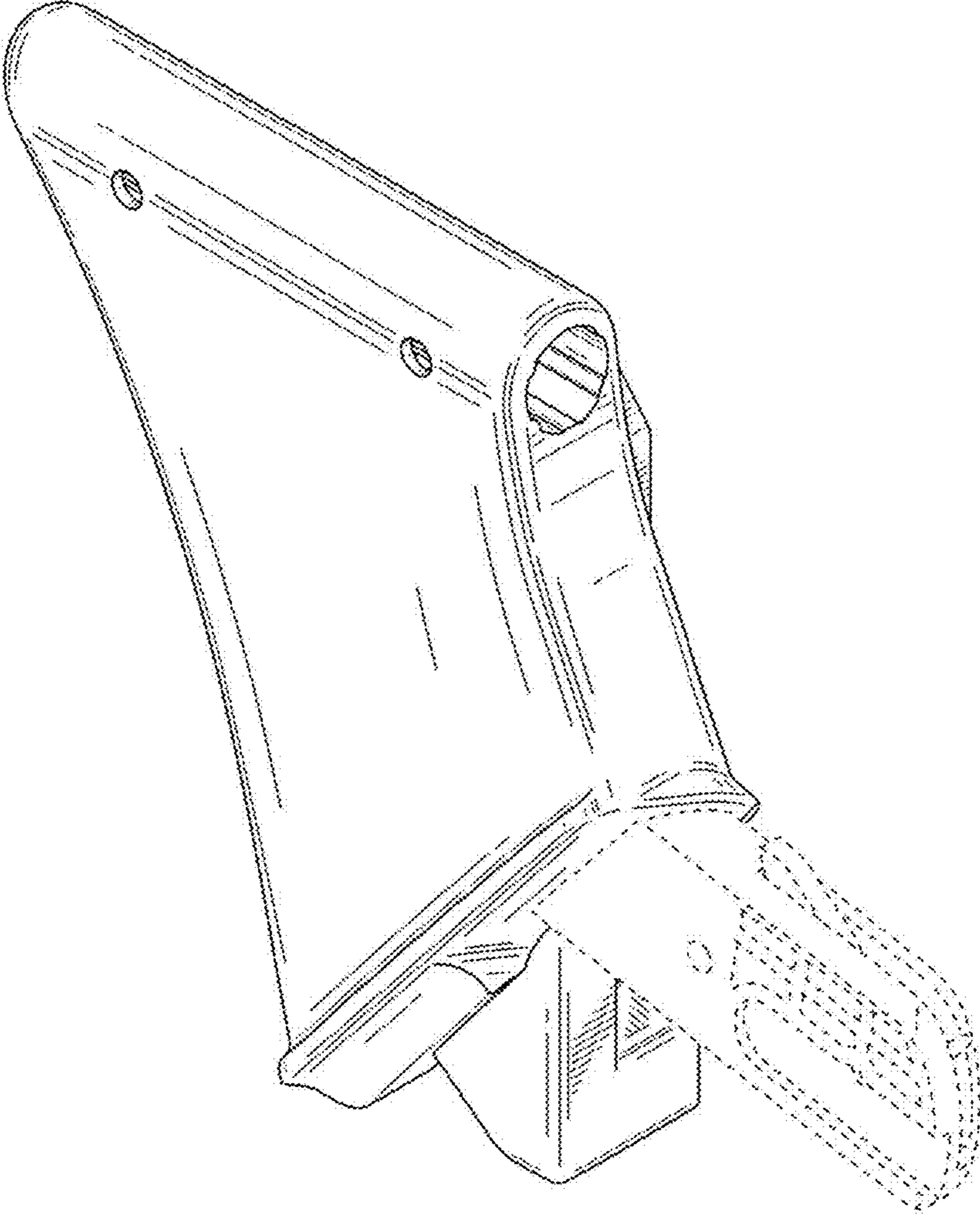


Figure 1

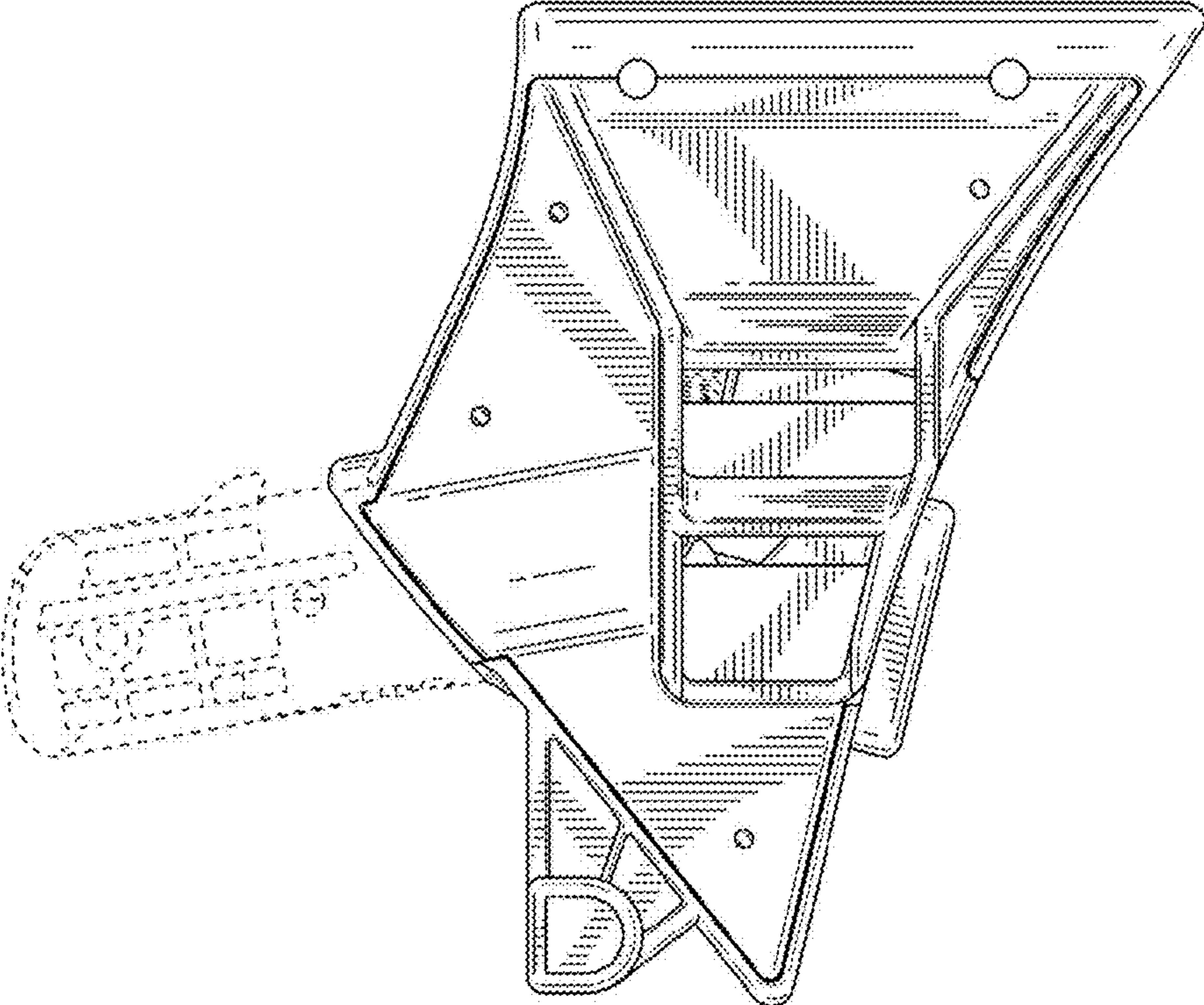


Figure 2

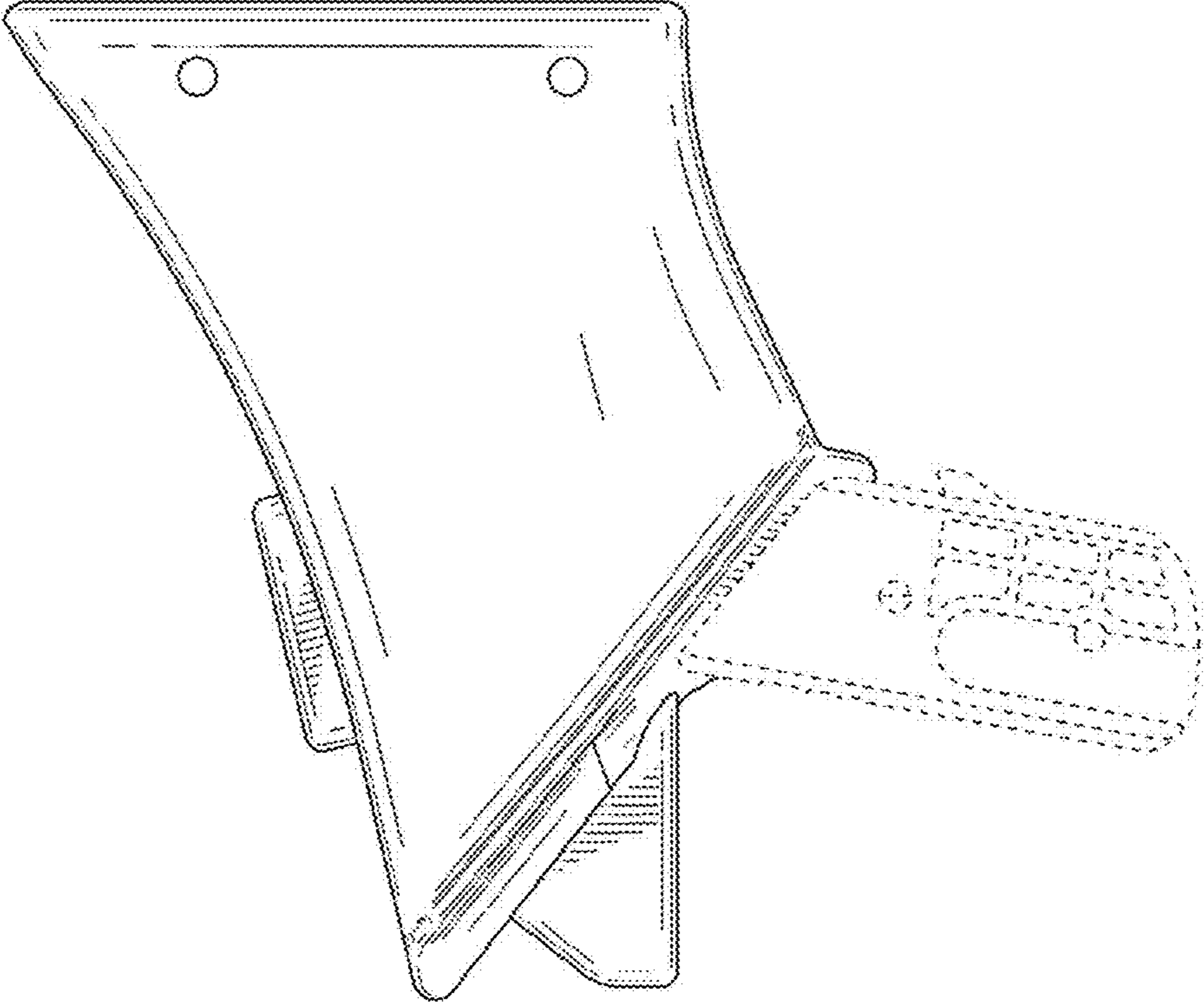


Figure 3

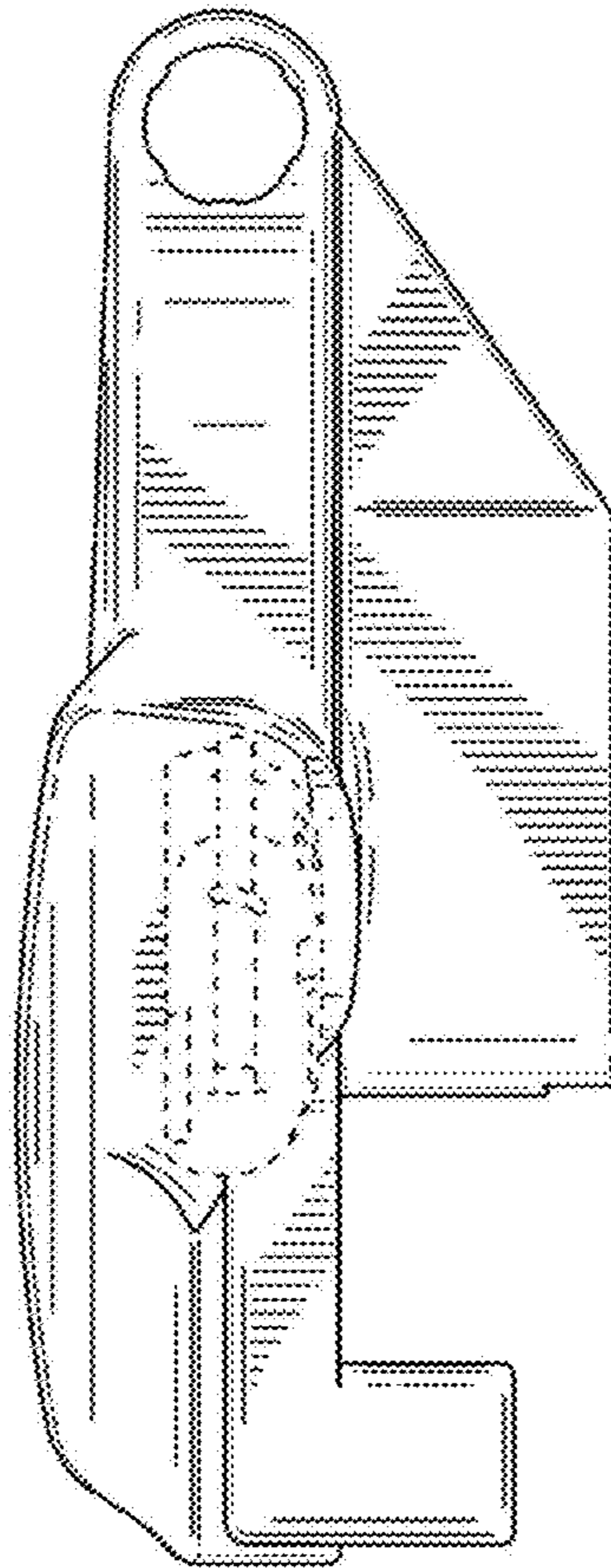


Figure 4

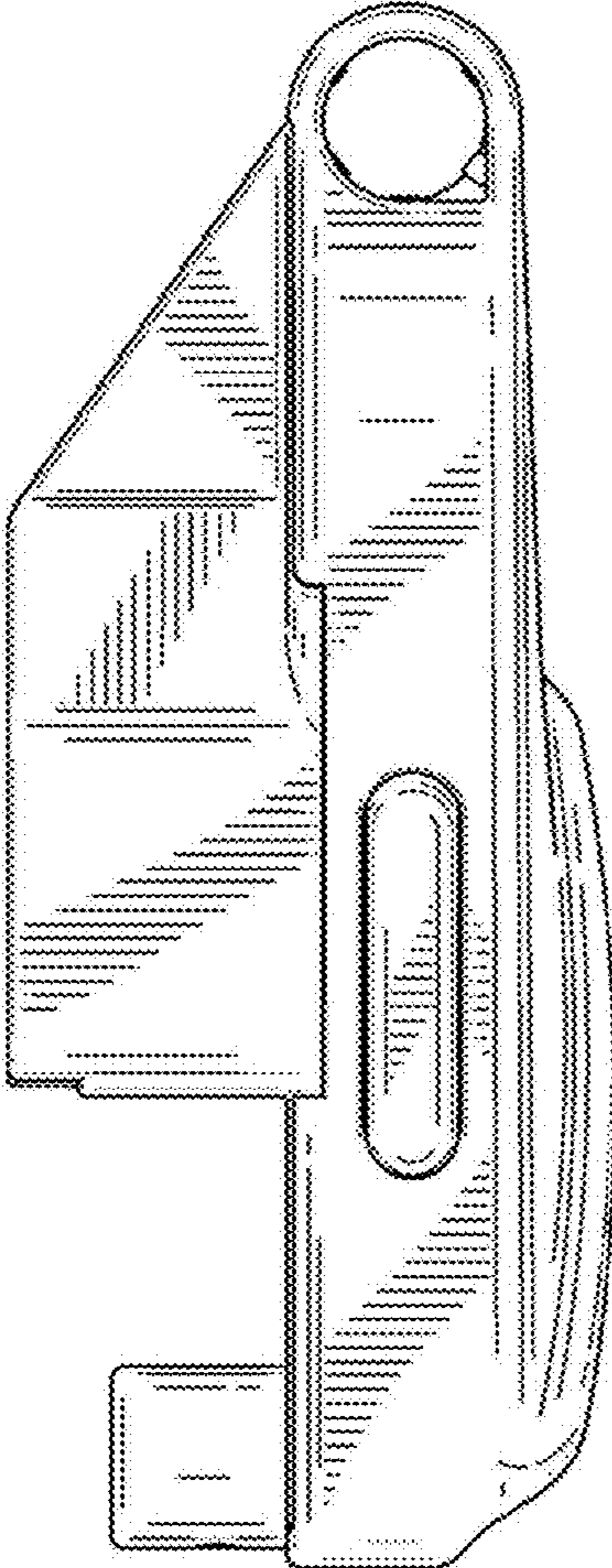


Figure 5

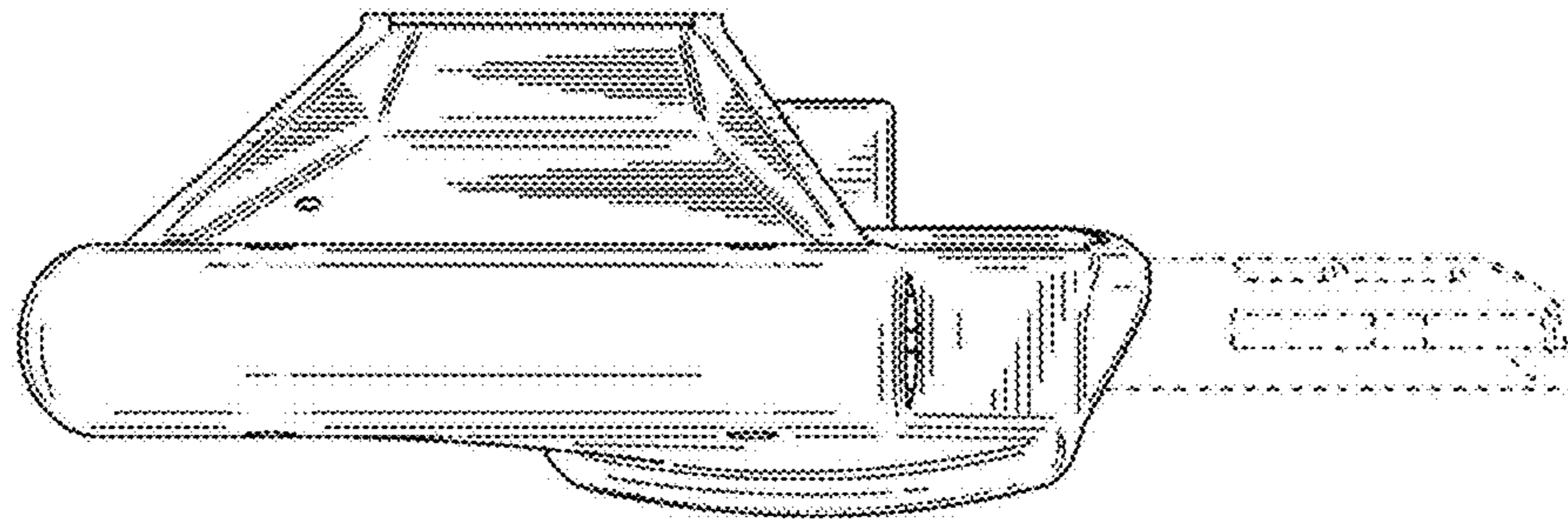


Figure 6

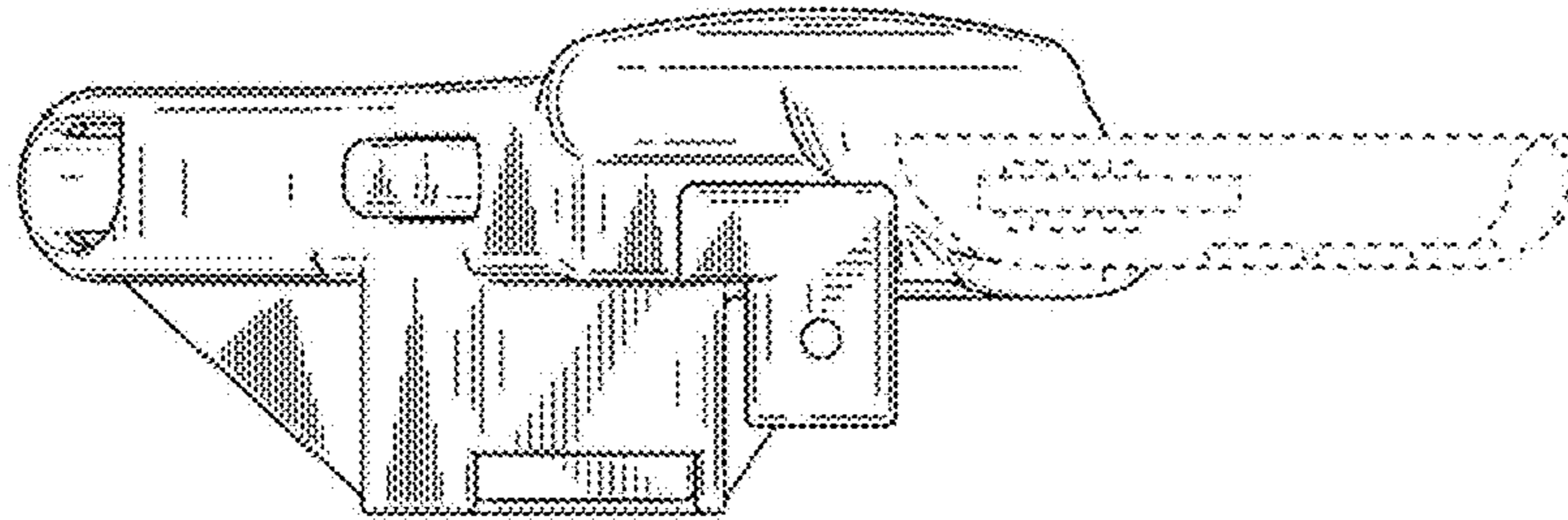


Figure 7