



US00D801702S

(12) **United States Design Patent**
Rennette

(10) **Patent No.:** **US D801,702 S**

(45) **Date of Patent:** **** Nov. 7, 2017**

(54) **HAIR BRUSH WITH EJECTABLE BARREL**

DESCRIPTION

(71) Applicant: **Jean Rennette**, Walnut Creek, CA (US)

FIG. 1 is a rear perspective view of a hair brush with ejectable barrel showing my new design.

(72) Inventor: **Jean Rennette**, Walnut Creek, CA (US)

FIG. 2 is a front perspective view thereof.

(**) Term: **15 Years**

FIG. 3 is a front elevational view thereof.

(21) Appl. No.: **29/601,536**

FIG. 4 is a rear elevational view thereof, the rear elevational view enlarged for clarity.

(22) Filed: **Apr. 24, 2017**

FIG. 5 is a right side elevational view thereof, the left side elevational view being a mirror image of the right side elevational view.

(51) **LOC (10) Cl.** **04-02**

FIG. 6 is a top plan view thereof, the bottom plan view being a mirror image of the top plan view.

(52) **U.S. Cl.**

USPC **D4/138**

FIG. 7 is an exploded perspective view showing the handle ejected from the barrel, the exploded perspective view illustrating an ejection mechanism of my design.

(58) **Field of Classification Search**

USPC D4/100, 102, 114, 115, 116, 117, 121, D4/128, 130, 132, 133, 134, 136, 138, D4/199; D8/83, 107; D32/40

FIG. 8 is another exploded perspective view showing the handle ejected from the barrel.

(Continued)

FIG. 9 is a front elevational view of the handle and the barrel, the barrel being ejected from the handle in this view, the front elevational view enlarged for clarity.

(56) **References Cited**

U.S. PATENT DOCUMENTS

D27,301 S * 7/1897 Swan D8/83
D28,230 S * 2/1898 Swan 81/177.1

(Continued)

FIG. 10 is a rear elevational view of the barrel and the handle, the barrel being ejected from the handle in this view, the rear elevational view enlarged for clarity.

OTHER PUBLICATIONS

Olivia Garden ProThermal Anti-Static Brush, 3 1/2" [on-line]. Initial publication date unknown; retrieved from the Internet on Jul. 10, 2017. URL: <https://www.amazon.com/Olivia-Garden-ProThermal-Anti-Static-Brush/dp/B0037M6Z16#customerReviews>. (9 pages).*

(Continued)

FIG. 11 is a partial perspective cross-sectional view taken along line 13-13 of FIG. 10, the view enlarged for clarity.

FIG. 12 is an partial perspective view, enlarged for clarity, showing the connection mechanism of the handle portion.

FIG. 13 is a partial elevational cross-sectional view taken along line 13-13 of FIG. 10, the view enlarged for clarity.

FIG. 14 is a partial elevational sectional view taken along line 14-14 of FIG. 9, the view enlarged for clarity.

FIG. 15 is a partial perspective sectional view taken along line 15-15 of FIG. 9, the view enlarged for clarity; and,

FIG. 16 is a partial perspective sectional view taken along line 16-16 of FIG. 9, the view enlarged for clarity.

The broken lines shown in the enlarged partial perspective views of FIGS. 12-16 show the bounds of the enlarged views and do not form part of the claim. The barrel of the hair brush may be connected to and ejected from a variety of different brush heads.

The broken lines in the drawings depict features that form no part of the claimed design.

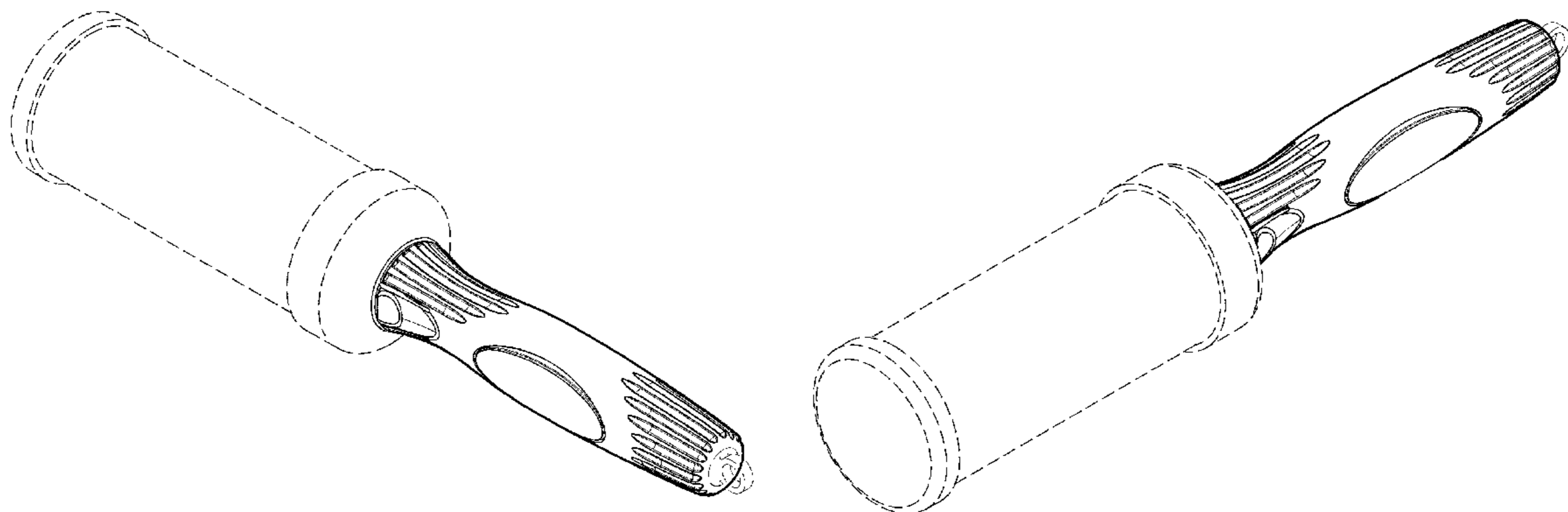
Primary Examiner — Karen E Eldridge Powers

(74) *Attorney, Agent, or Firm* — Volk & McElroy, LLP; Michael D. Volk, Jr.

(57) **CLAIM**

The ornamental design for a hair brush with ejectable barrel, as shown and described.

1 Claim, 10 Drawing Sheets



(58) **Field of Classification Search**
 CPC A46B 5/026; A46B 5/0095; A46B 7/04;
 A46B 2200/104

See application file for complete search history.

(56) **References Cited**

U.S. PATENT DOCUMENTS

D77,784	S	*	2/1929	Lyons	D4/114
D100,612	S	*	8/1936	Bryant	D8/83
D137,554	S	*	3/1944	Herb	15/184
D251,517	S		4/1979	Baudon		
D261,357	S		10/1981	Doonan		
4,705,052	A	*	11/1987	Modin	A46B 5/0095 132/313
4,754,516	A		7/1988	Tremblay		
D297,874	S	*	9/1988	Jorgensen	D32/74
4,848,857	A	*	7/1989	Modin	A46B 5/0095 312/206
D360,719	S		7/1995	Ring		
D378,186	S	*	2/1997	Braun	D8/107
5,699,614	A		12/1997	Garneau		
5,887,600	A		3/1999	Wilk		
5,954,064	A	*	9/1999	Motherhead	A45D 6/04 132/150
5,992,423	A		11/1999	Tevolini		
D419,847	S	*	2/2000	Chen	D8/107
6,029,307	A		2/2000	Baudoin		
D421,680	S		3/2000	Worthington		
D422,793	S		4/2000	Levin et al.		
6,067,724	A		5/2000	Depoyian		
6,241,181	B1		6/2001	Campbell		
6,382,216	B1	*	5/2002	Clark	A45D 24/42 132/147
6,408,475	B1		6/2002	Morrison		
D461,316	S		8/2002	Park		
D473,718	S		4/2003	Park		
D479,916	S	*	9/2003	Park	D4/128
D510,192	S		10/2005	Kampel et al.		
D517,900	S		3/2006	Goldenberg et al.		
7,120,963	B2		10/2006	Kim		
D538,046	S		3/2007	Tsaur		
7,198,048	B2	*	4/2007	Johnson	A46B 7/04 132/122
D555,907	S		11/2007	Rennette		
D557,409	S		12/2007	Veliss et al.		
D562,564	S	*	2/2008	King	D4/117
D569,108	S		5/2008	Park		
7,386,913	B2		6/2008	Jackson		
D573,755	S		7/2008	Rennette		
7,574,768	B2		8/2009	Morris et al.		
D621,163	S		8/2010	Rennette		
D624,321	S		9/2010	Rennette		
7,797,782	B2		9/2010	Davis et al.		
7,819,357	B2		10/2010	Fox et al.		
D627,169	S	*	11/2010	Caputo	D4/121

D627,568	S		11/2010	Rennette		
D627,974	S	*	11/2010	Chang	D4/138
D627,975	S	*	11/2010	Chang	D4/138
D629,095	S		12/2010	Liu et al.		
D644,440	S		9/2011	Rennette		
D645,950	S		9/2011	Kenyon et al.		
D646,488	S		10/2011	Rennette		
D648,540	S		11/2011	Rennette		
D653,038	S		1/2012	Park		
D658,892	S		5/2012	Console		
8,215,319	B2		7/2012	Couillard		
8,230,543	B2		7/2012	Shrier et al.		
D668,054	S		10/2012	Julémont		
8,302,246	B2	*	11/2012	Chudzik	A46B 7/023 132/119
D679,910	S		4/2013	Nimsgern		
D684,373	S		6/2013	Rennette		
D699,835	S		2/2014	Kenyon et al.		
D699,948	S		2/2014	Byrne		
D712,156	S		9/2014	Arvinte et al.		
D720,137	S		12/2014	Schuler		
D720,138	S		12/2014	Schuler		
8,919,353	B2	*	12/2014	Richardson	A45D 24/16 132/237
D721,505	S		1/2015	Schuler		
D730,060	S		5/2015	Rennette		
D730,061	S		5/2015	Rennette		
D739,660	S		9/2015	Rennette		
D749,326	S		2/2016	Rennette		
D759,477	S		6/2016	Rennette		
D762,069	S		7/2016	Rennette		
D766,588	S		9/2016	Rennette		
D775,839	S	*	1/2017	Rennette	D4/138
D784,028	S		4/2017	Garcia et al.		
D787,834	S		5/2017	Cheung		
D792,711	S		7/2017	Hou		
D794,339	S		8/2017	Morton et al.		
2001/0009632	A1		7/2001	Cross		
2003/0110585	A1	*	6/2003	Rechelbacher	A46B 5/00 15/143.1
2005/0121049	A1		6/2005	Rizzuto		
2005/0139226	A1		6/2005	Kampel		
2008/0190441	A1		8/2008	Vecchiola		
2008/0202545	A1	*	8/2008	Purvis	A45D 24/16 132/120
2012/0152272	A1	*	6/2012	Solovey	A45D 2/002 132/242
2015/0182779	A1		7/2015	Dalebout		

OTHER PUBLICATIONS

Oliva Garden Pro Thermal Brush—Kappers & Co. [on-line]. Initial publication date unknown; retrieved from the Internet Jul. 10, 2017. URL: <<http://www.kappersenco.nl/en/olivia-garden-pro-thermal-brush.html>>. (8 pages).*

* cited by examiner

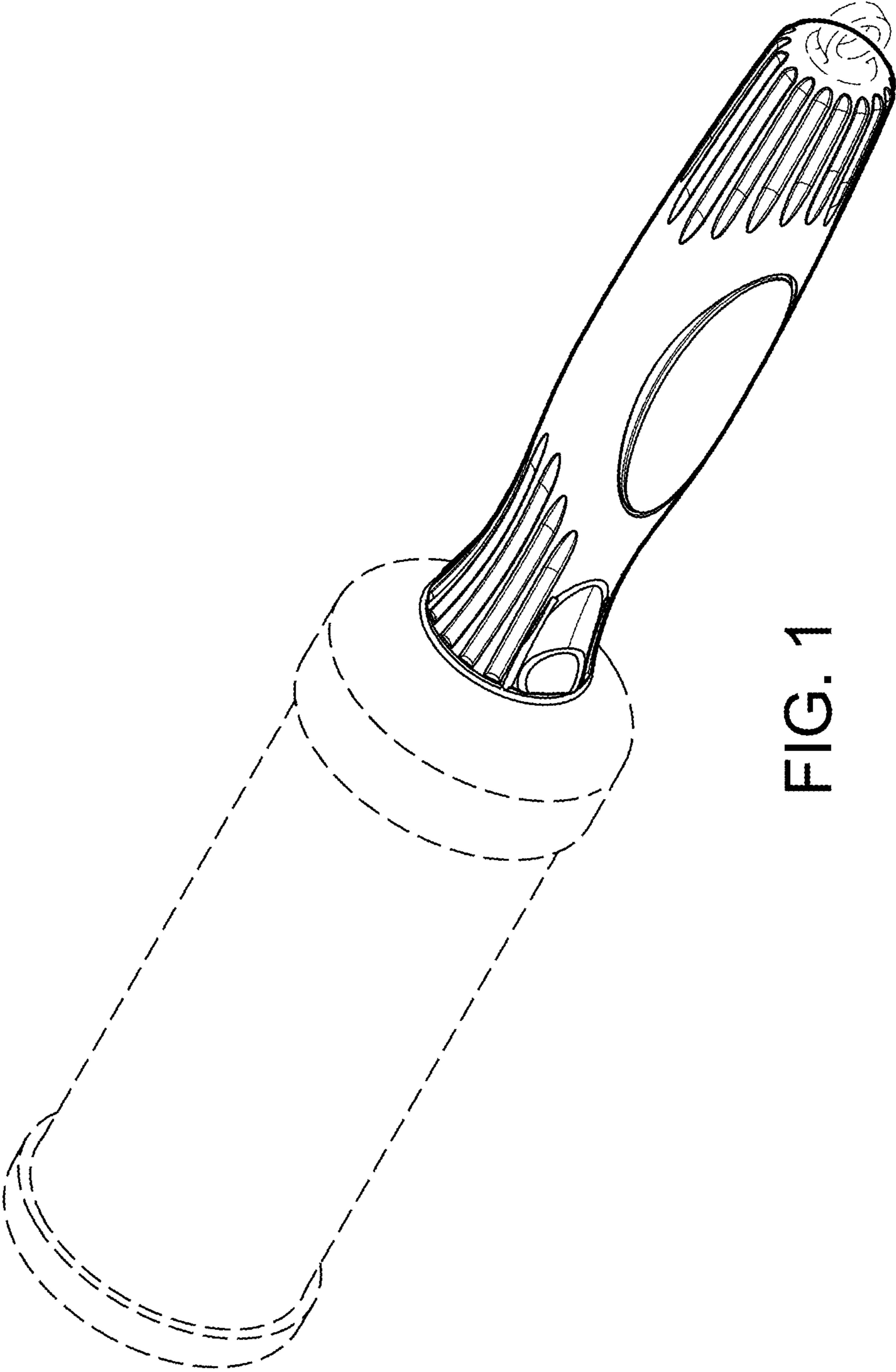


FIG. 1

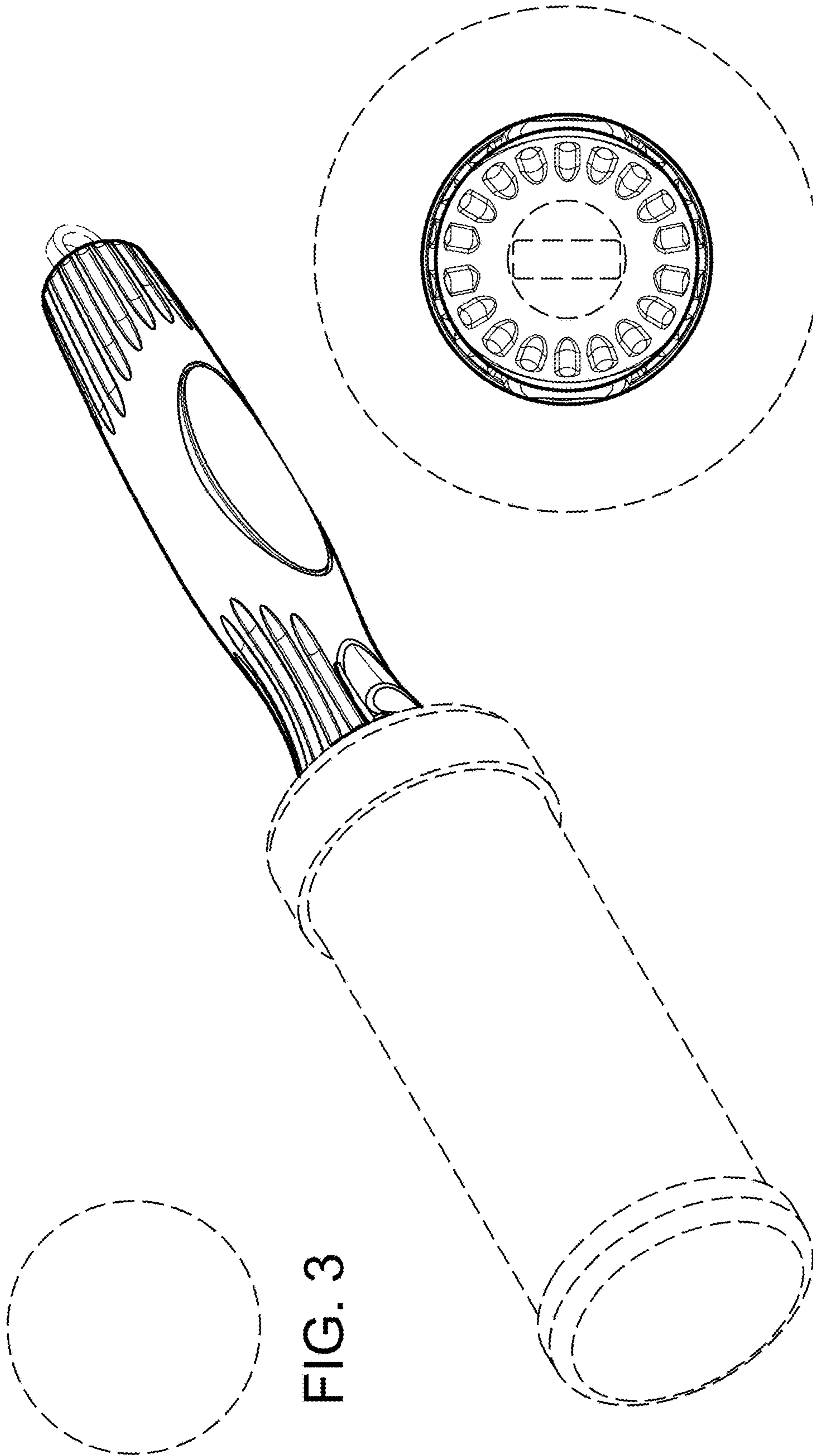


FIG. 3

FIG. 2

FIG. 4

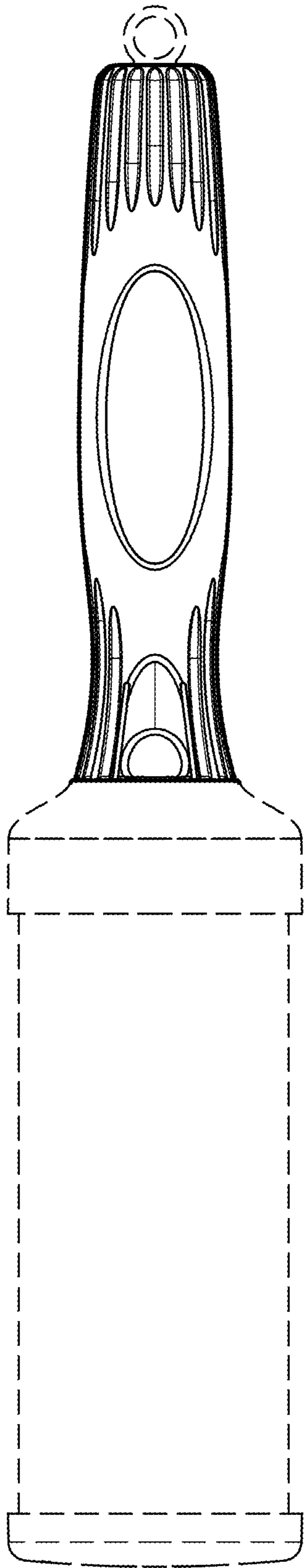


FIG. 5

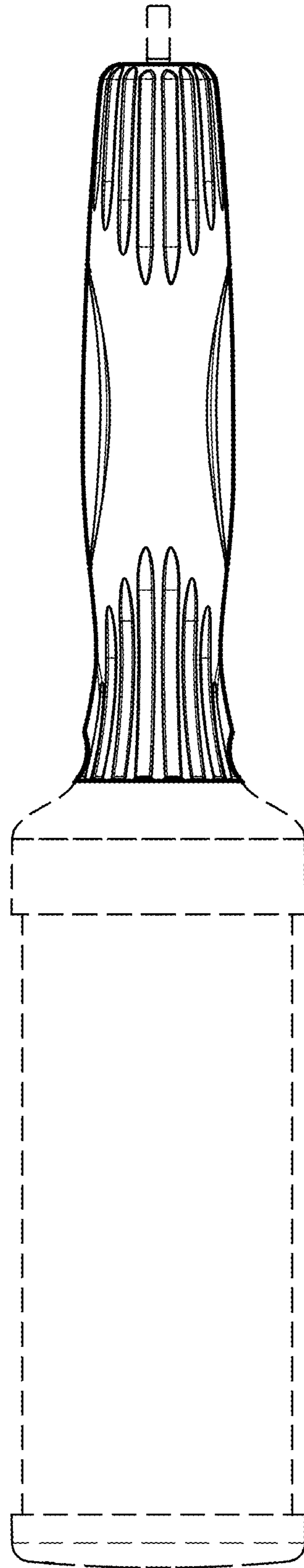


FIG. 6

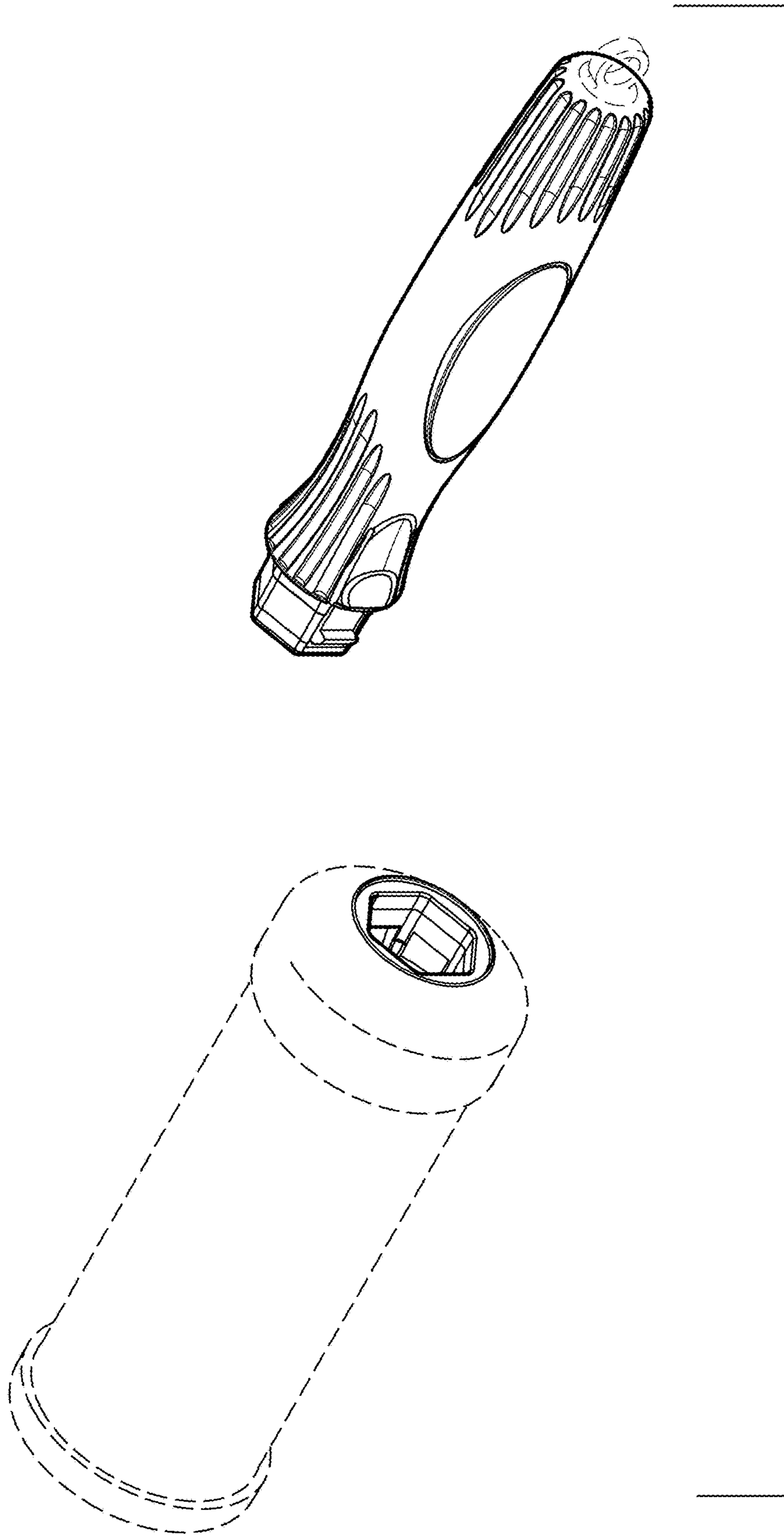


FIG. 7

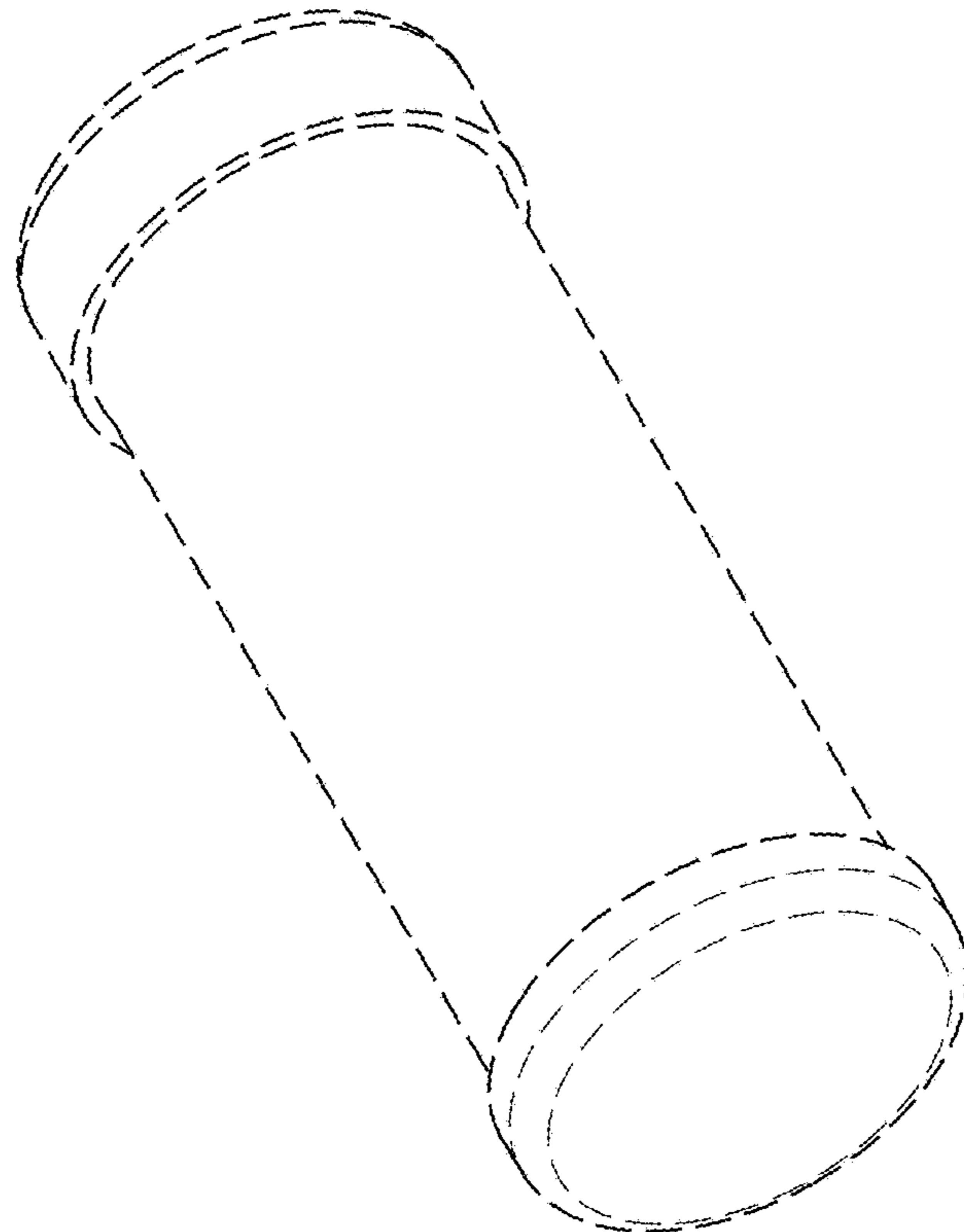
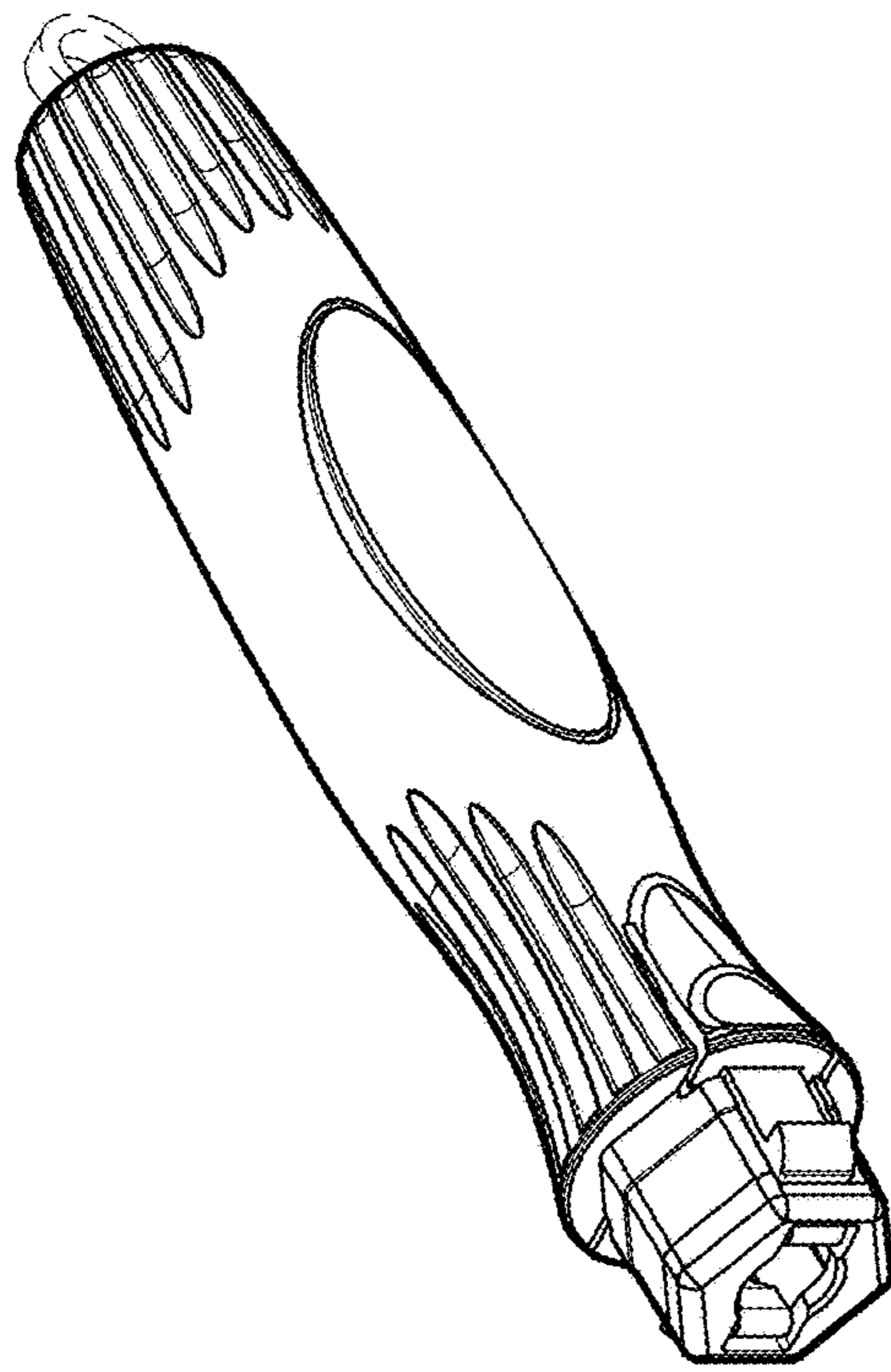


FIG. 8

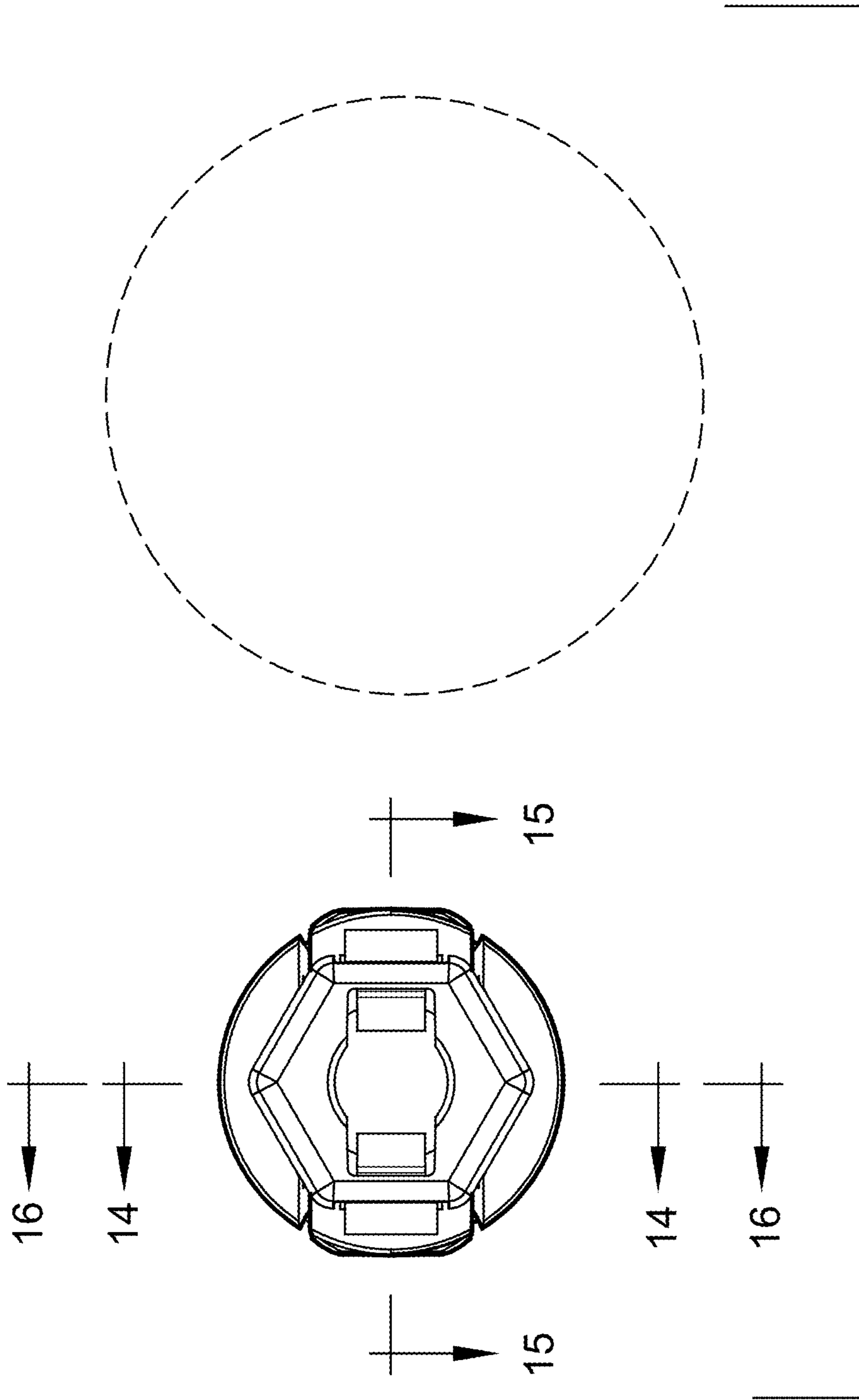


FIG. 9

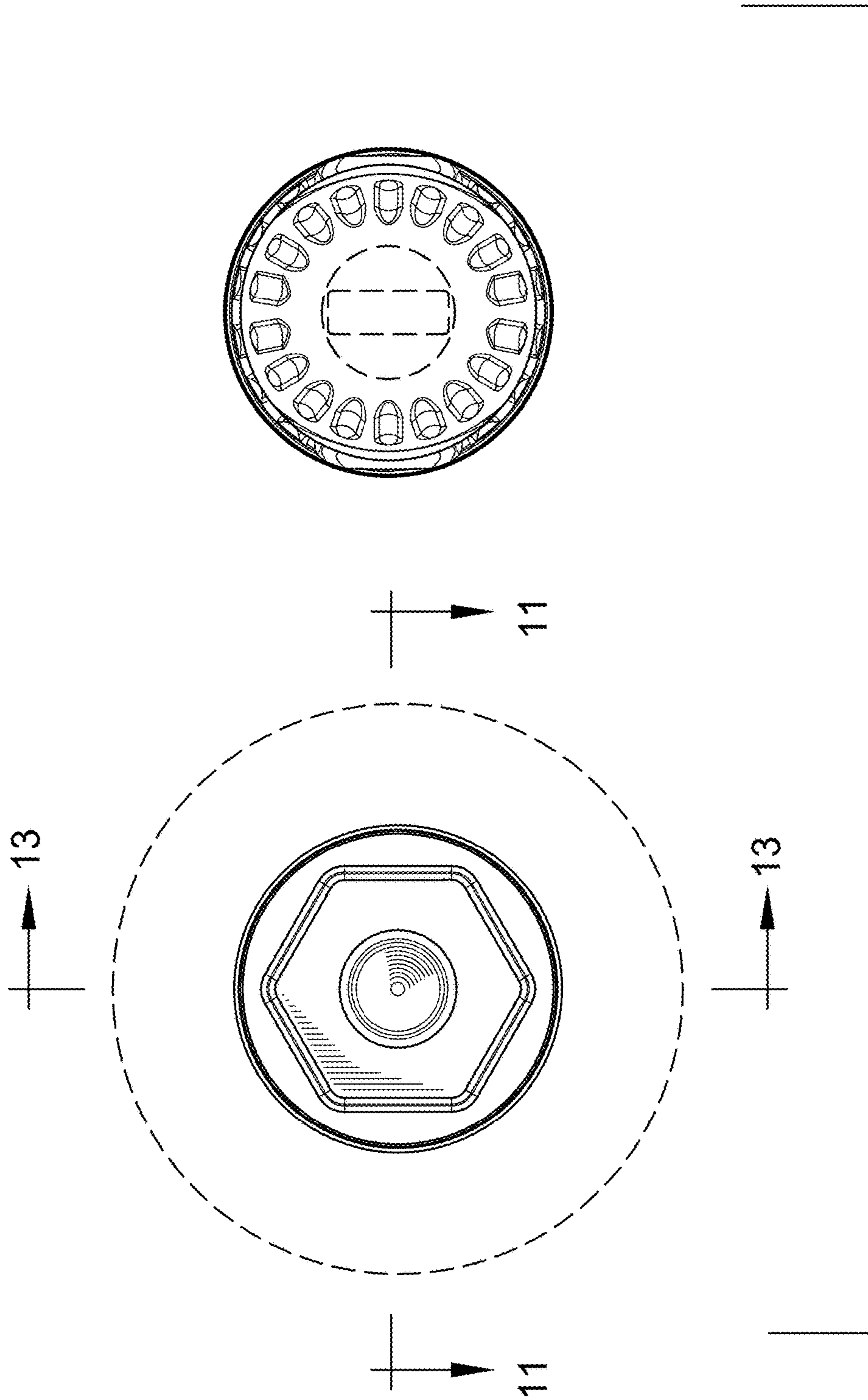


FIG. 10

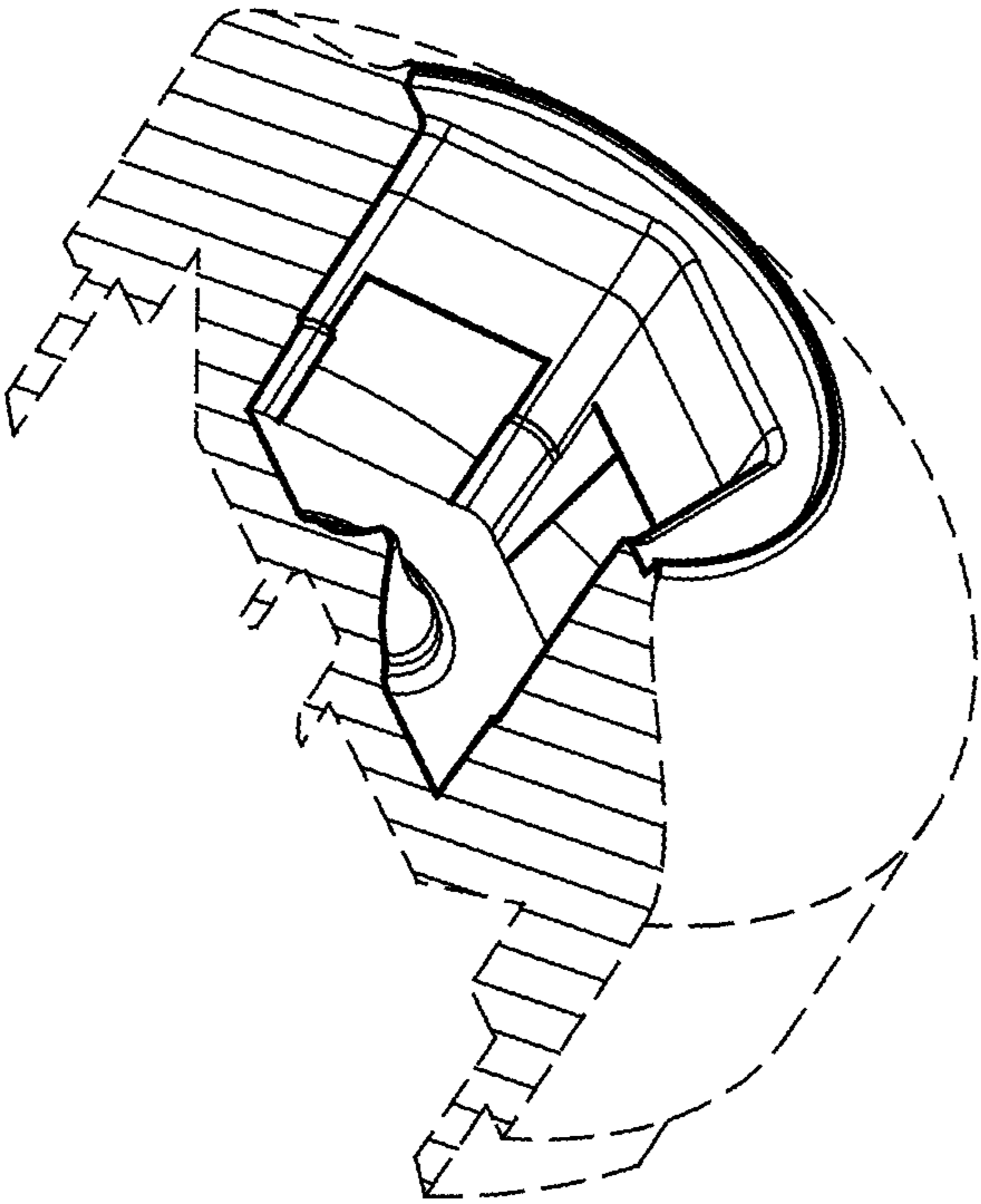


FIG. 11

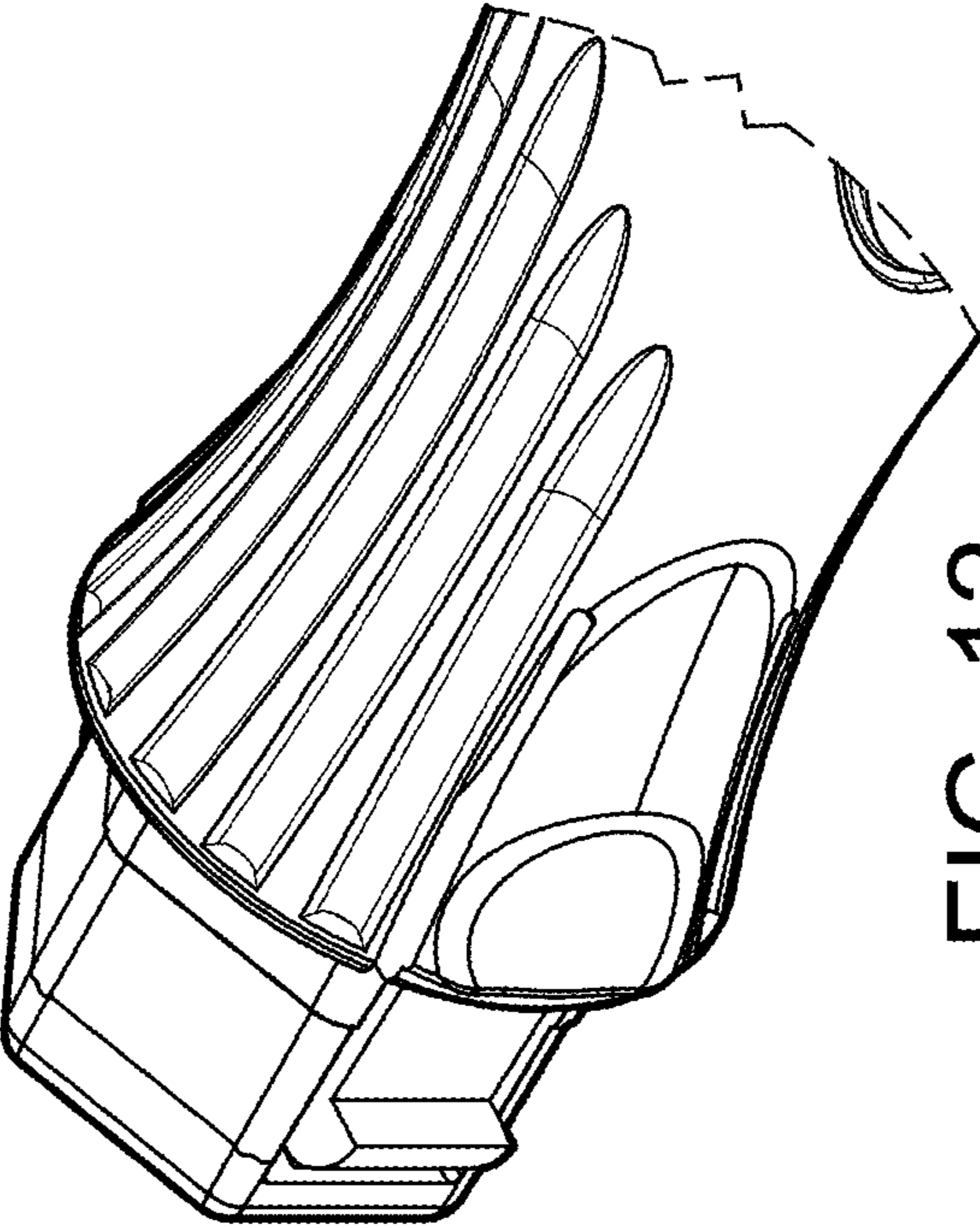


FIG. 12

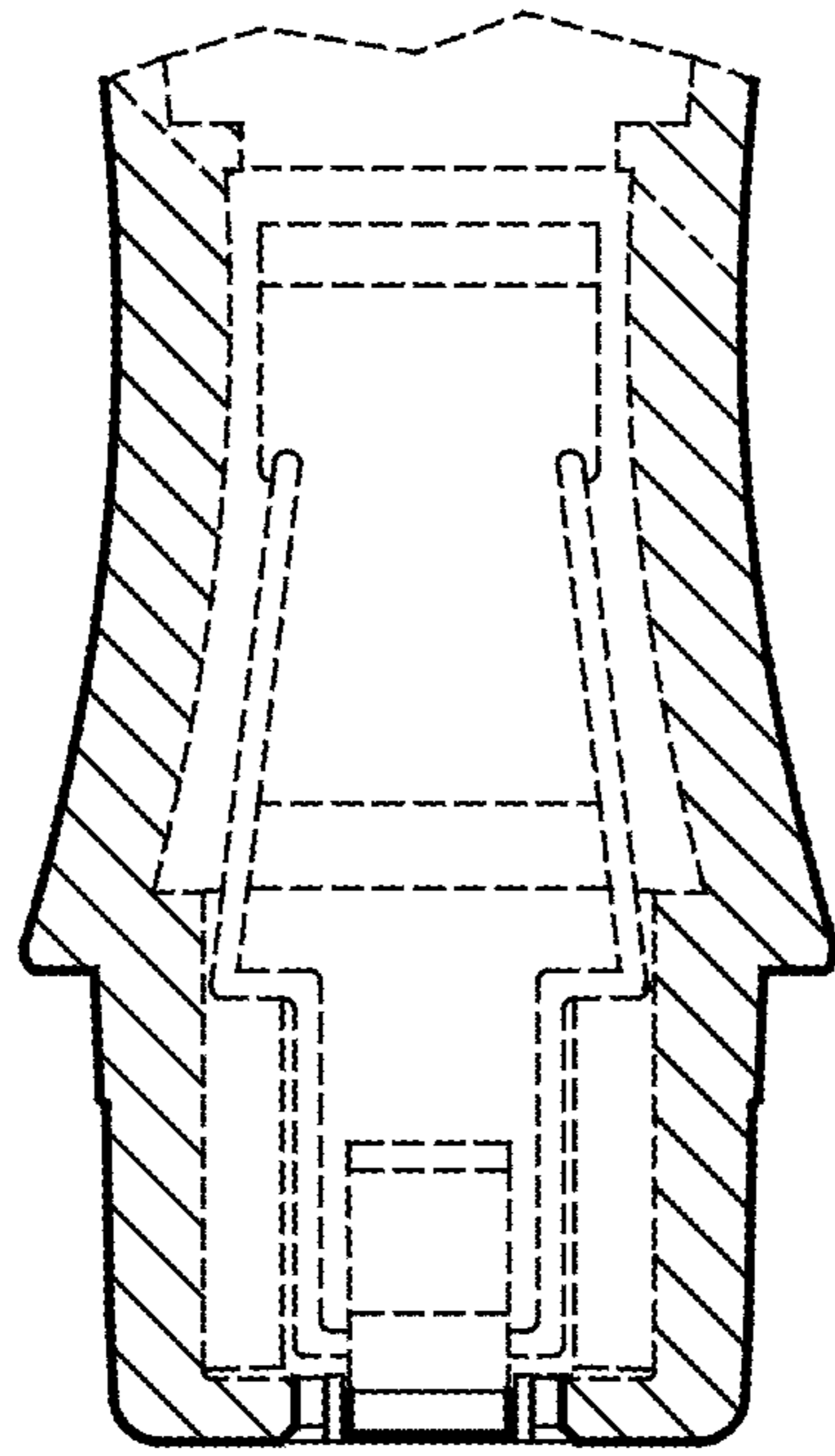


FIG. 14

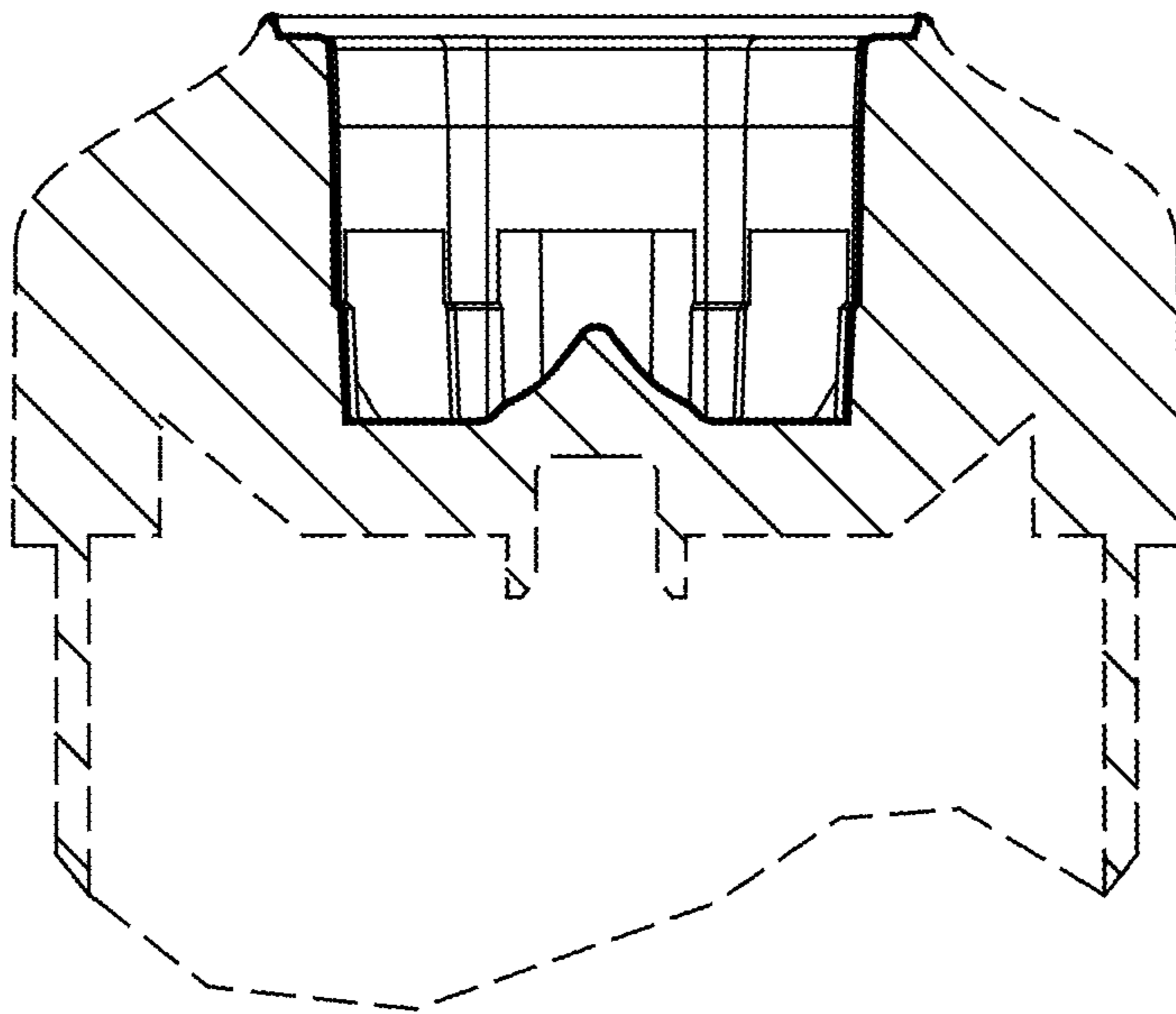


FIG. 13

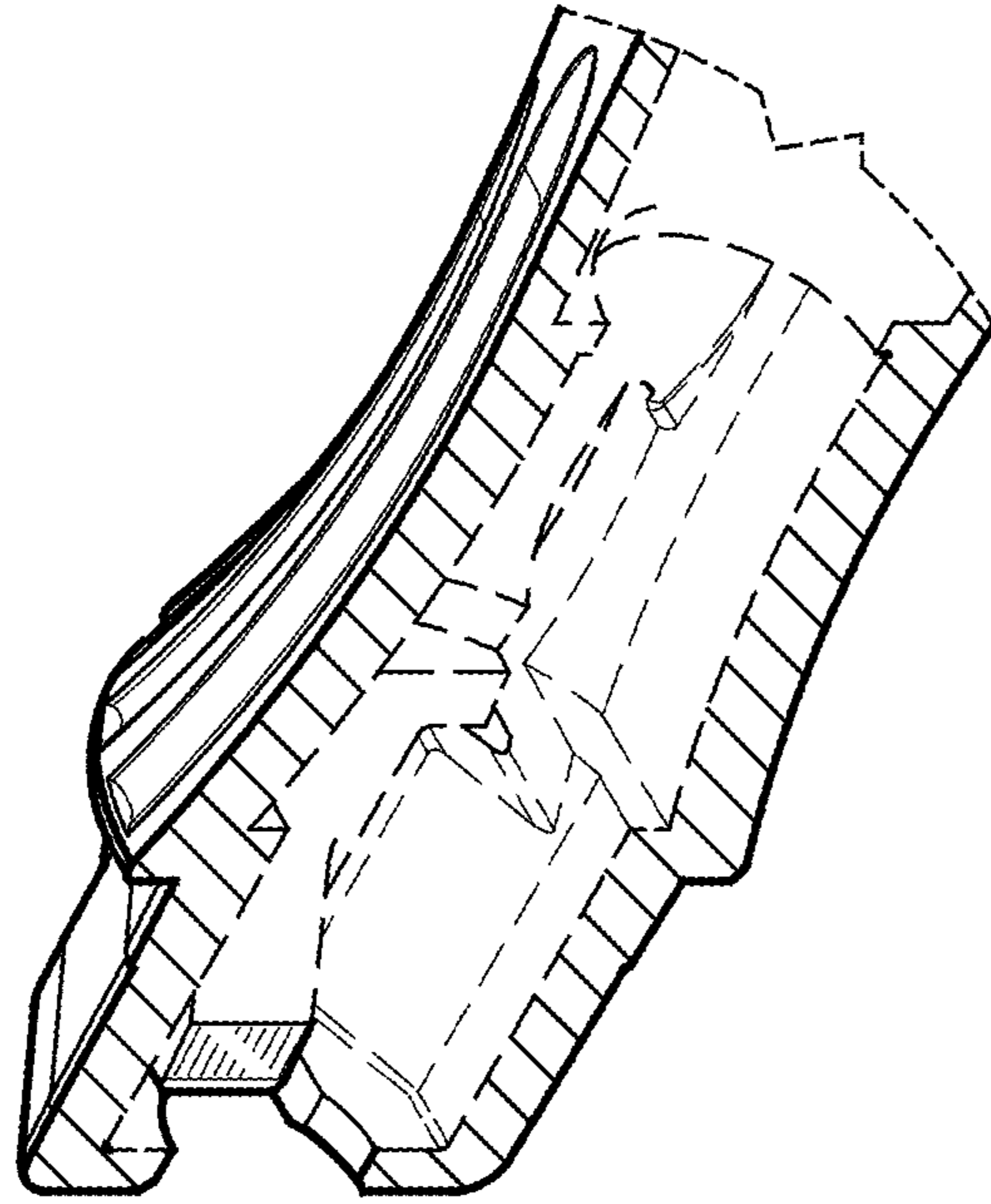


FIG. 15

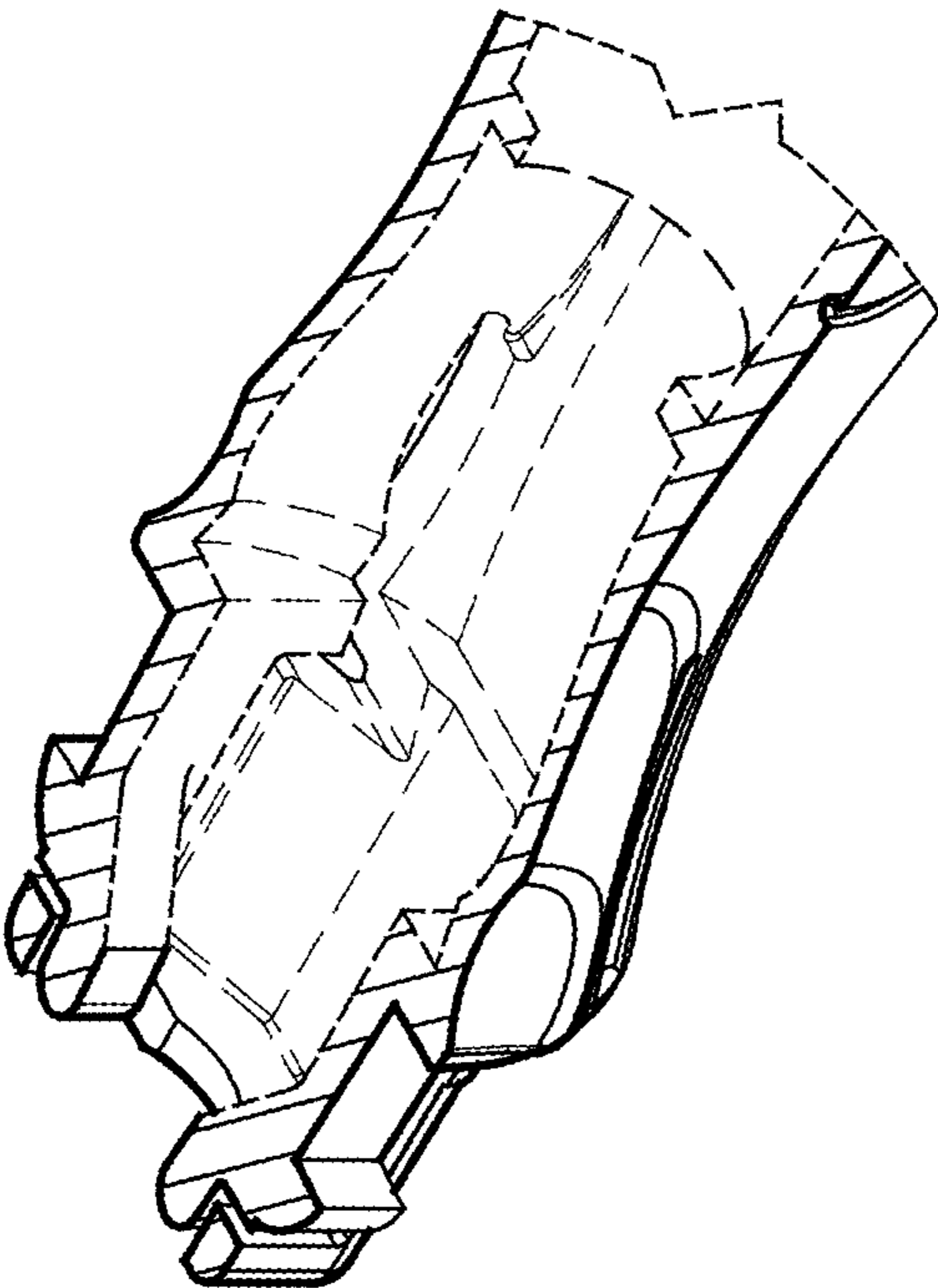


FIG. 16