



US00D801701S

(12) **United States Design Patent**
Rennette

(10) **Patent No.:** **US D801,701 S**
(45) **Date of Patent:** **** Nov. 7, 2017**

(54) **HAIR BRUSH CAP**

(71) Applicant: **Jean Rennette**, Walnut Creek, CA (US)

(72) Inventor: **Jean Rennette**, Walnut Creek, CA (US)

(**) Term: **15 Years**

(21) Appl. No.: **29/601,344**

(22) Filed: **Apr. 21, 2017**

(51) **LOC (10) Cl.** **04-02**

(52) **U.S. Cl.**
USPC **D4/128**

(58) **Field of Classification Search**

USPC D4/128, 129, 131, 136, 138, 108, 109,
D4/119; D32/35, 51; 15/104.5, 104.16,
15/104.2, 104.31, 104.32, 164, 165, 206;
D28/65; D7/682; 452/298, 458
CPC A46B 2200/10; A46B 2200/104;
A45D 2/10; A45D 1/00; A46D 1/003;
A46D 3/087

See application file for complete search history.

(56) **References Cited**

U.S. PATENT DOCUMENTS

D27,301 S 7/1897 Swan
D28,230 S 2/1898 Swan
D77,784 S 2/1929 Lysons

(Continued)

OTHER PUBLICATIONS

Oliva Garden Pro Thermal Brush—Kappers & Co. [on-line]. Initial publication date unknown; retrieved from the Internet Jul. 10, 2017. URL: . (8 pages).

(Continued)

Primary Examiner — Austin Murphy

(74) *Attorney, Agent, or Firm* — Volk & McElroy, LLP;
Michael D. Volk, Jr.

(57) **CLAIM**

The ornamental design for a hair brush cap, as shown.

DESCRIPTION

FIG. 1 is a front perspective view of a hair brush cap showing my new design.

FIG. 2 is a rear perspective view of my design of FIG. 1.

FIG. 3 is a side view of my design of FIG. 1.

FIG. 4 is a top view of my design of FIG. 1.

FIG. 5 is a bottom view of my design of FIG. 1.

FIG. 6 is a front perspective view of a second version of my hair brush cap design.

FIG. 7 is a rear perspective view of my design of FIG. 6.

FIG. 8 is a side view of my design of FIG. 6.

FIG. 9 is a top view of my design of FIG. 6.

FIG. 10 is a bottom view of my design of FIG. 6.

FIG. 11 is a front perspective view of a third version of my hair brush cap design.

FIG. 12 is a rear perspective view of my design of FIG. 11.

FIG. 13 is a top view of my design of FIG. 11.

FIG. 14 is a side view of my design of FIG. 11.

FIG. 15 is a bottom view of my design of FIG. 11.

FIG. 16 is a front perspective view of a fourth version of my hair brush cap design.

FIG. 17 is a rear perspective view of my design of FIG. 16.

FIG. 18 is a top view of my design of FIG. 16.

FIG. 19 is a side view of my design of FIG. 16.

FIG. 20 is a bottom view of my design of FIG. 16.

FIG. 21 is a front perspective view of a fifth version of my hair brush cap design.

FIG. 22 is a rear perspective view of my design of FIG. 21.

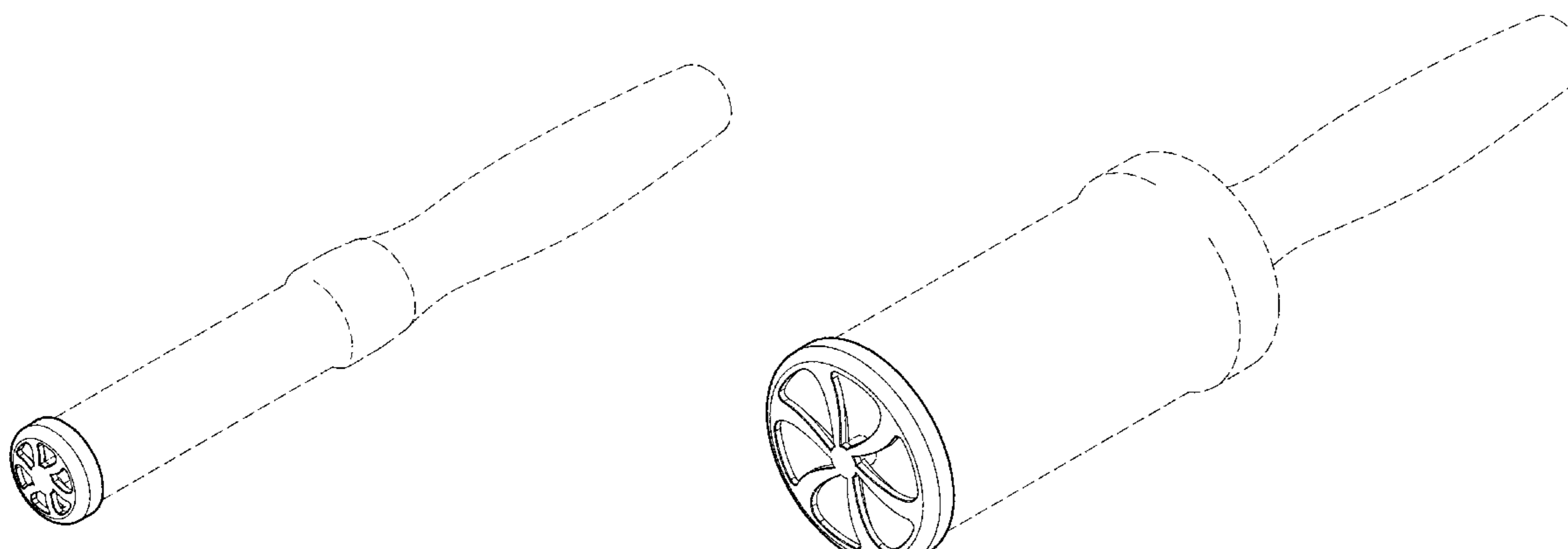
FIG. 23 is a top view of my design of FIG. 21.

FIG. 24 is a side view of my design of FIG. 21; and,

FIG. 25 is a bottom view of my design of FIG. 21.

The broken lines in the drawings depict features that form no part of the claimed design.

1 Claim, 15 Drawing Sheets



(56)

References Cited

U.S. PATENT DOCUMENTS

D100,612 S 8/1936 Bryant
 D137,554 S 3/1944 Herb
 D251,517 S * 4/1979 Baudon D4/128
 D261,357 S * 10/1981 Doonan D8/499
 4,705,052 A 11/1987 Modin
 4,754,516 A 7/1988 Tremblay
 D297,874 S 9/1988 Jorgensen
 4,848,857 A 7/1989 Modin
 D360,719 S * 7/1995 Ring D32/35
 D378,186 S 2/1997 Braun
 5,699,614 A 12/1997 Garneau
 5,887,600 A 3/1999 Wilk
 5,954,064 A 9/1999 Motherhead
 5,992,423 A 11/1999 Tevolini
 D419,547 S 1/2000 Nada et al.
 6,029,307 A 2/2000 Baudoin
 D421,680 S 3/2000 Worthington
 D422,793 S * 4/2000 Levin D28/25
 6,067,724 A 5/2000 Depoyian
 6,241,181 B1 * 6/2001 Campbell B65H 75/22
 242/578
 6,382,216 B1 5/2002 Clark
 6,408,475 B1 6/2002 Morrison
 D461,316 S 8/2002 Park
 D473,718 S * 4/2003 Park D4/128
 D479,916 S 9/2003 Park
 D510,192 S 10/2005 Kampel et al.
 D517,900 S * 3/2006 Goldenberg D8/354
 7,120,963 B2 * 10/2006 Kim B05C 17/02
 15/230.11
 D538,046 S * 3/2007 Tsaour D4/121
 7,198,048 B2 4/2007 Johnson
 D555,907 S 11/2007 Rennette
 D557,409 S * 12/2007 Veliss D24/110.1
 D562,564 S 2/2008 King
 D569,108 S 5/2008 Park
 7,386,913 B2 6/2008 Jackson
 D573,755 S 7/2008 Rennette
 7,574,768 B2 8/2009 Morris et al.
 D621,163 S 8/2010 Rennette
 D624,321 S 9/2010 Rennette
 7,797,782 B2 9/2010 Davis et al.
 7,819,357 B2 * 10/2010 Fox B65H 75/245
 156/577
 D627,169 S 11/2010 Caputo
 D627,568 S 11/2010 Rennette

D627,975 S 11/2010 Chang
 D629,095 S * 12/2010 Liu D23/411
 D644,440 S * 9/2011 Rennette D4/116
 D645,950 S * 9/2011 Kenyon D23/379
 D646,488 S 10/2011 Rennette
 D648,540 S * 11/2011 Rennette D4/128
 D653,038 S 1/2012 Park
 D658,892 S 5/2012 Console
 8,215,319 B2 7/2012 Couillard
 8,230,543 B2 7/2012 Shrier et al.
 D668,054 S 10/2012 Julémont
 8,302,246 B2 11/2012 Chudzik et al.
 D679,910 S 4/2013 Nimsgern
 D684,373 S 6/2013 Rennette
 D699,835 S * 2/2014 Kenyon D23/413
 D699,948 S * 2/2014 Byrne D4/122
 D712,156 S * 9/2014 Arvinte D4/122
 D720,137 S 12/2014 Schuler
 D720,138 S 12/2014 Schuler
 8,919,353 B2 12/2014 Richardson
 D721,505 S 1/2015 Schuler
 D730,060 S 5/2015 Rennette
 D730,061 S 5/2015 Rennette
 D739,660 S 9/2015 Rennette
 D749,326 S 2/2016 Rennette
 D759,477 S 6/2016 Rennette
 D762,069 S 7/2016 Rennette
 D766,588 S 9/2016 Rennette
 D775,839 S 1/2017 Rennette
 D784,028 S 4/2017 Garcia et al.
 D787,834 S 5/2017 Cheung
 D792,711 S 7/2017 Hou
 D794,339 S 8/2017 Morton et al.
 2001/0009632 A1 7/2001 Cross
 2003/0110585 A1 6/2003 Rechelbacher
 2005/0121049 A1 6/2005 Rizzuto
 2005/0139226 A1 6/2005 Kampel
 2008/0190441 A1 8/2008 Vecchiola
 2008/0202545 A1 8/2008 Purvis et al.
 2012/0152272 A1 6/2012 Solovey
 2015/0182779 A1 7/2015 Dalebout

OTHER PUBLICATIONS

Olivia Garden Pro Thermal Anti-Static Brush, 3½" [on-line]. Initial publication date unknown; retrieved from the Internet on Jul. 10, 2017. URL: <https://www.amazon.com/Olivia-Garden-ProThermal-Anti-Static-Brush/dp/B0037M6Z16#customerReviews>. (9 pages).

* cited by examiner

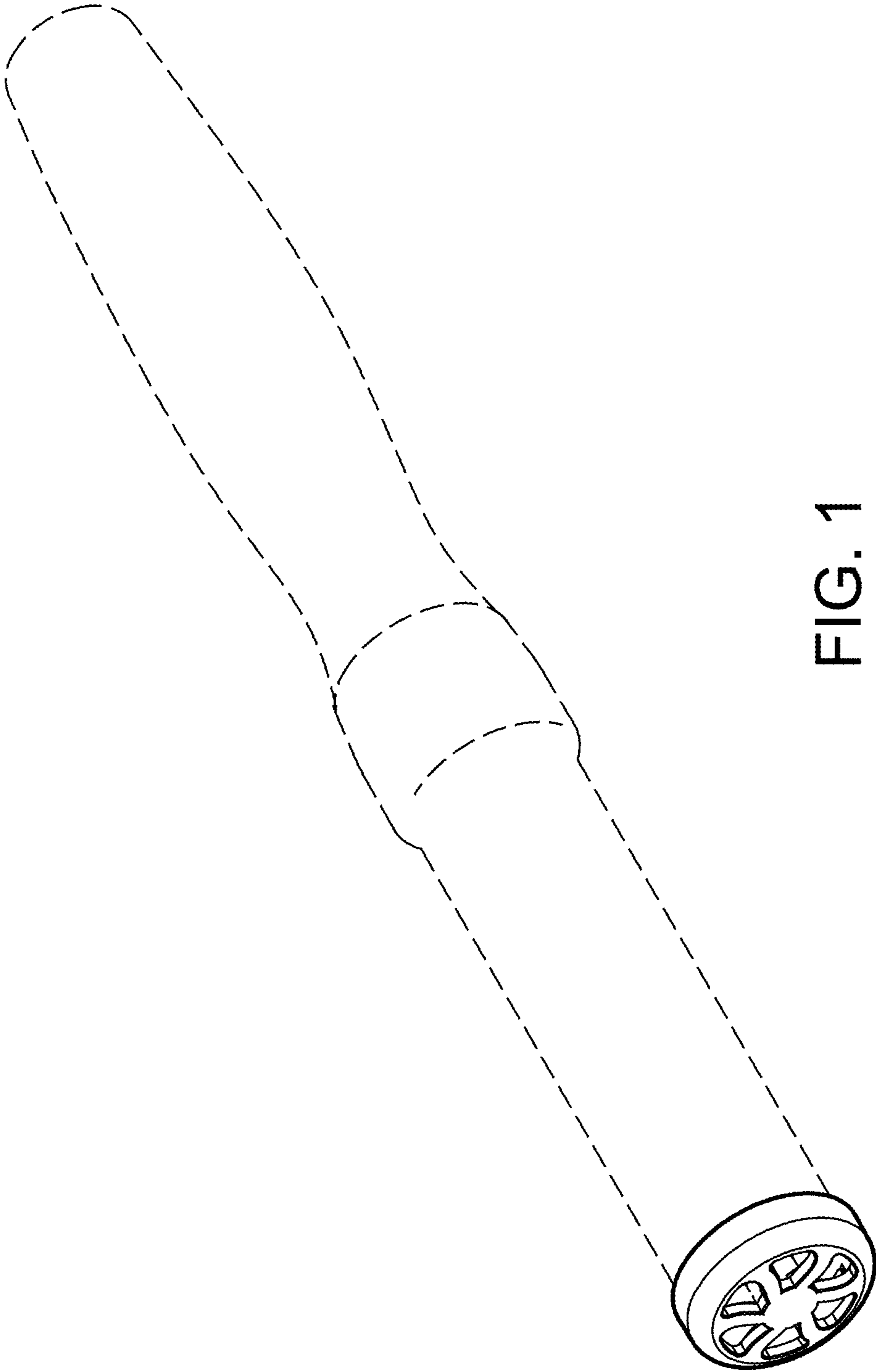


FIG. 1

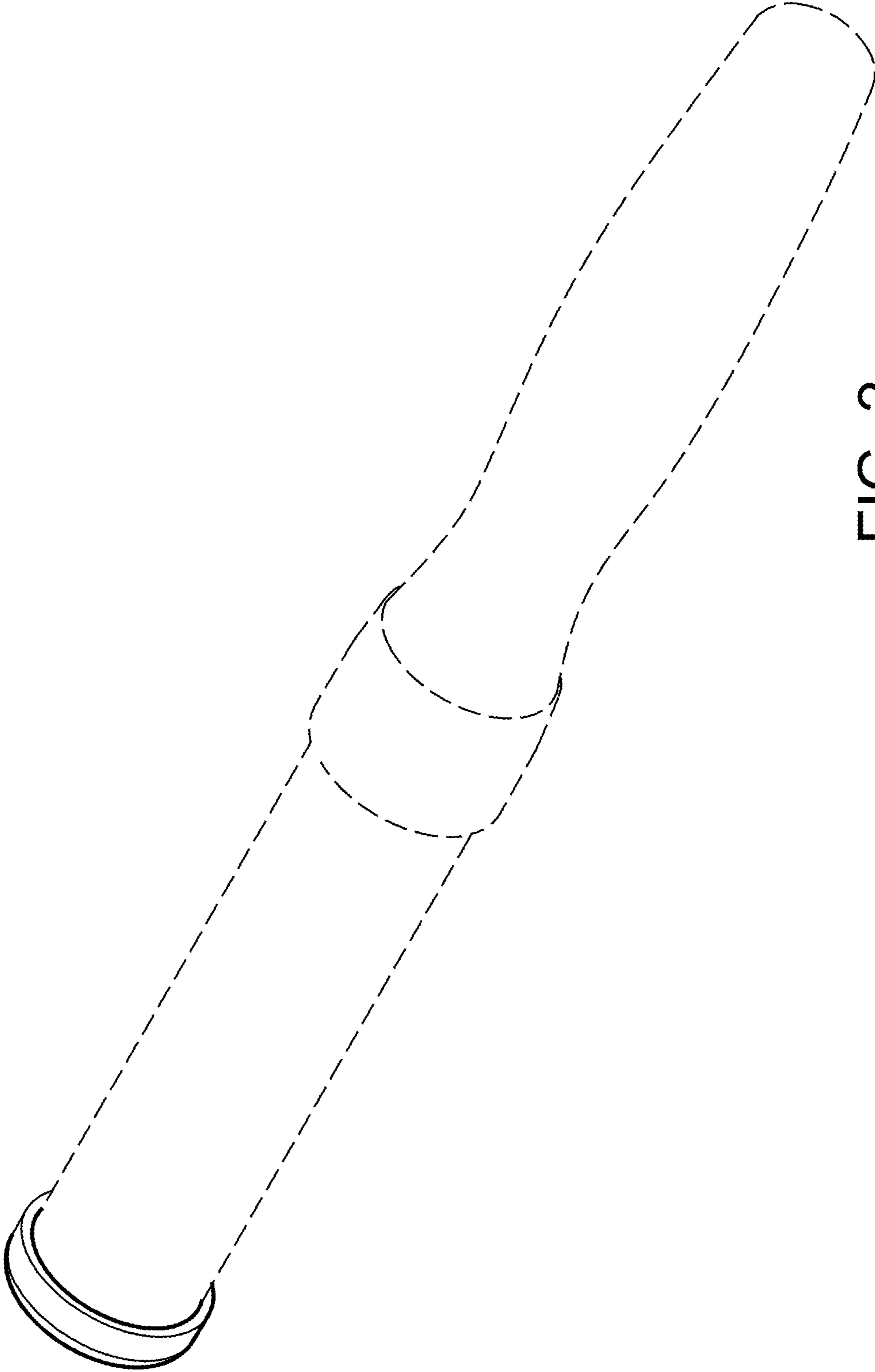


FIG. 2

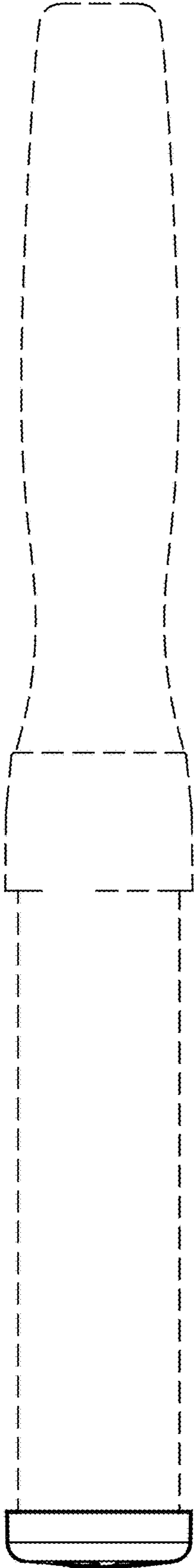


FIG. 3

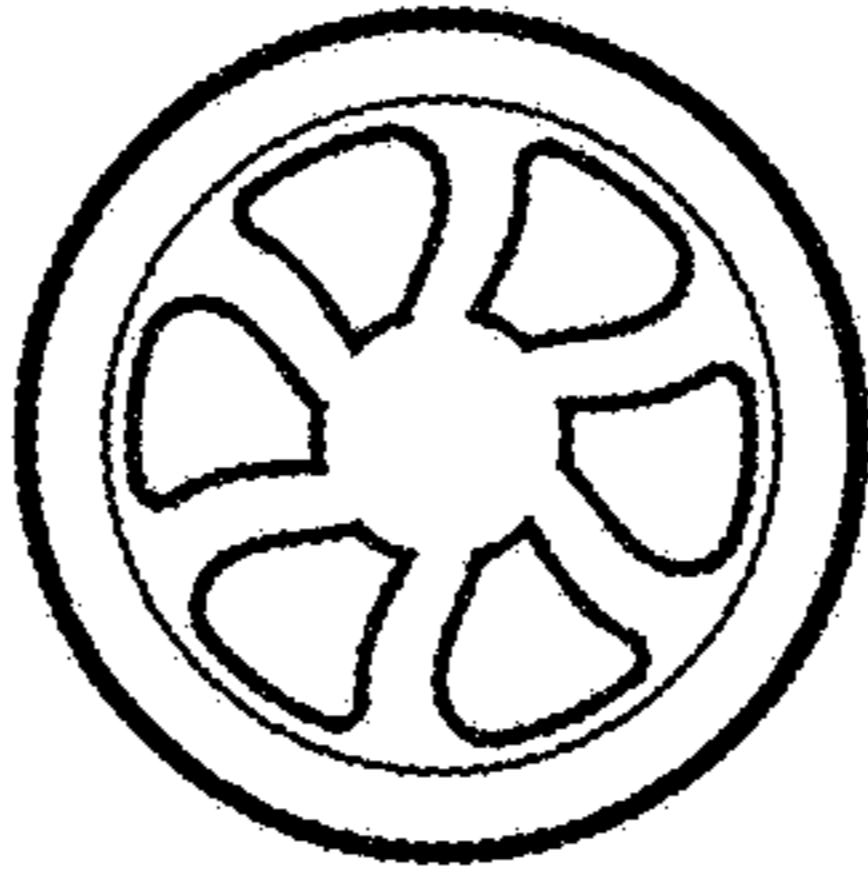


FIG. 4

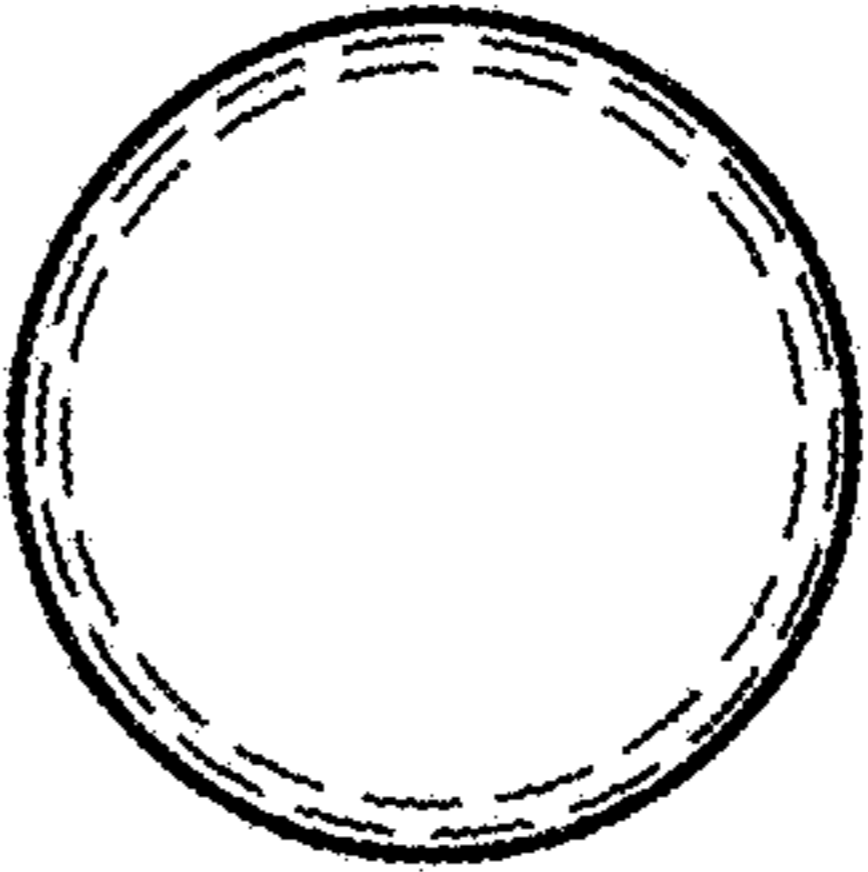


FIG. 5

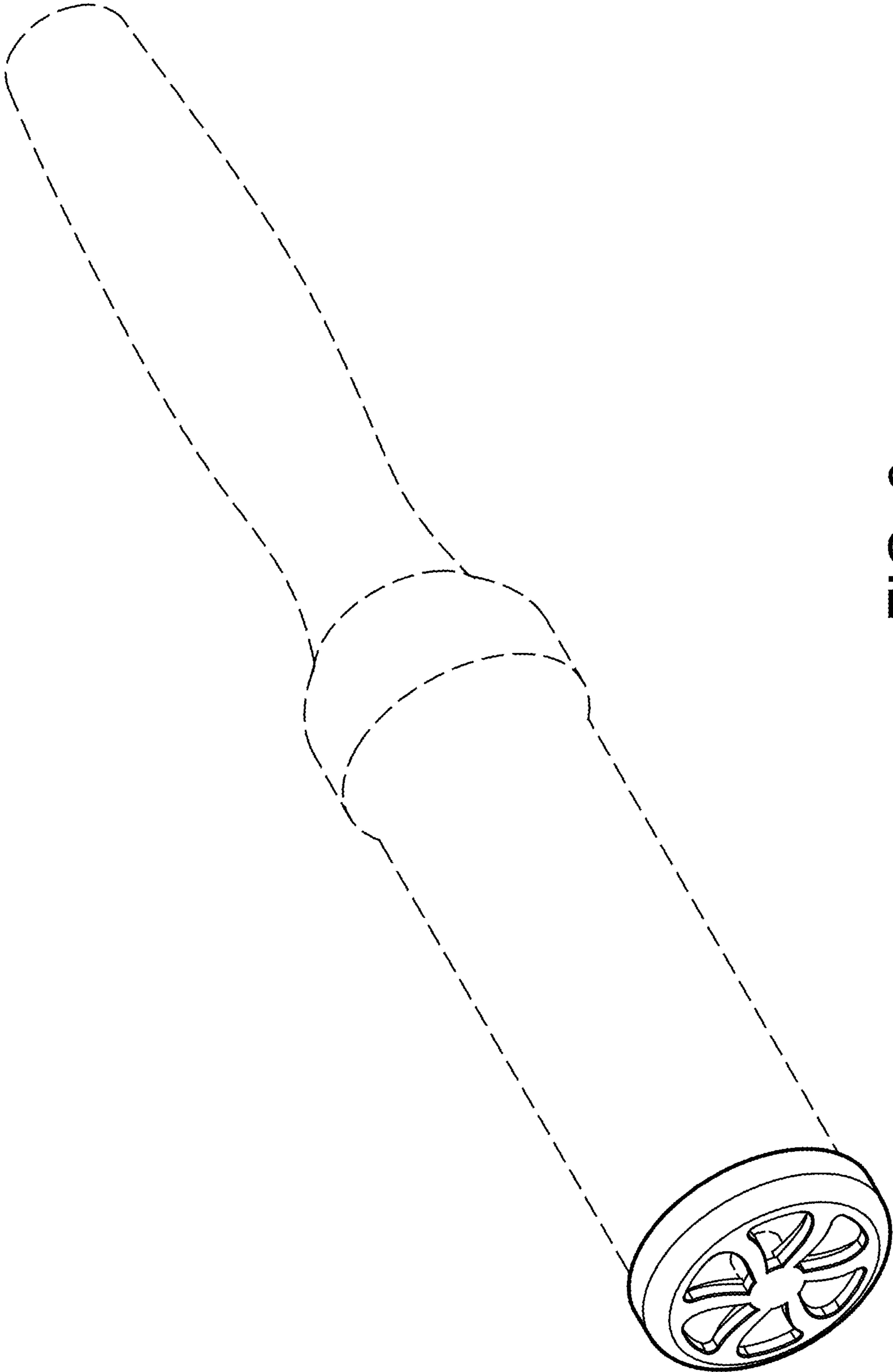


FIG. 6

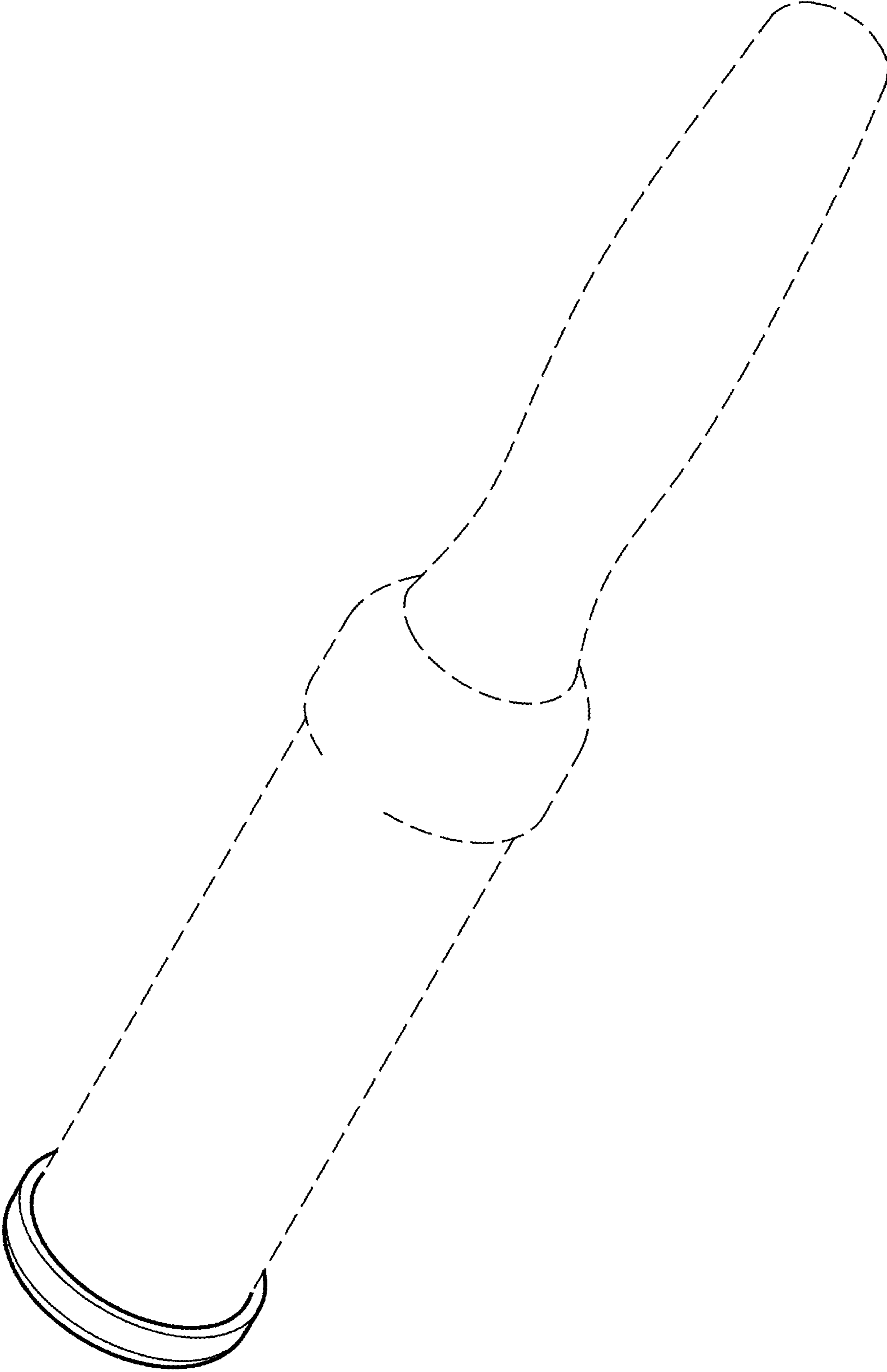


FIG. 7

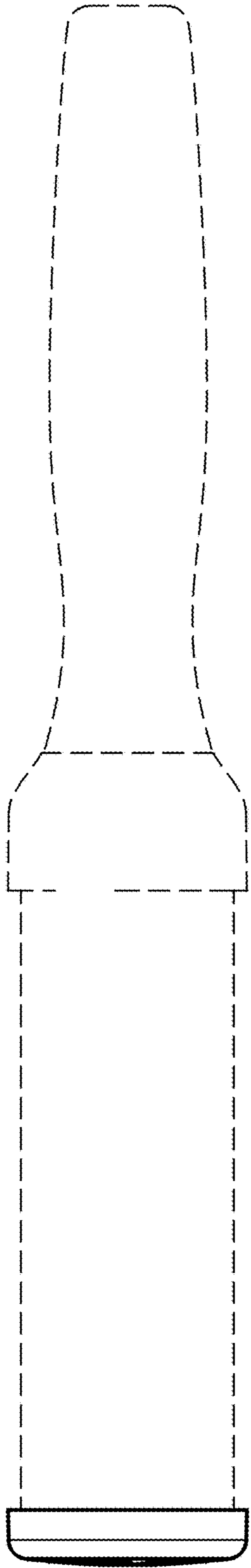


FIG. 8

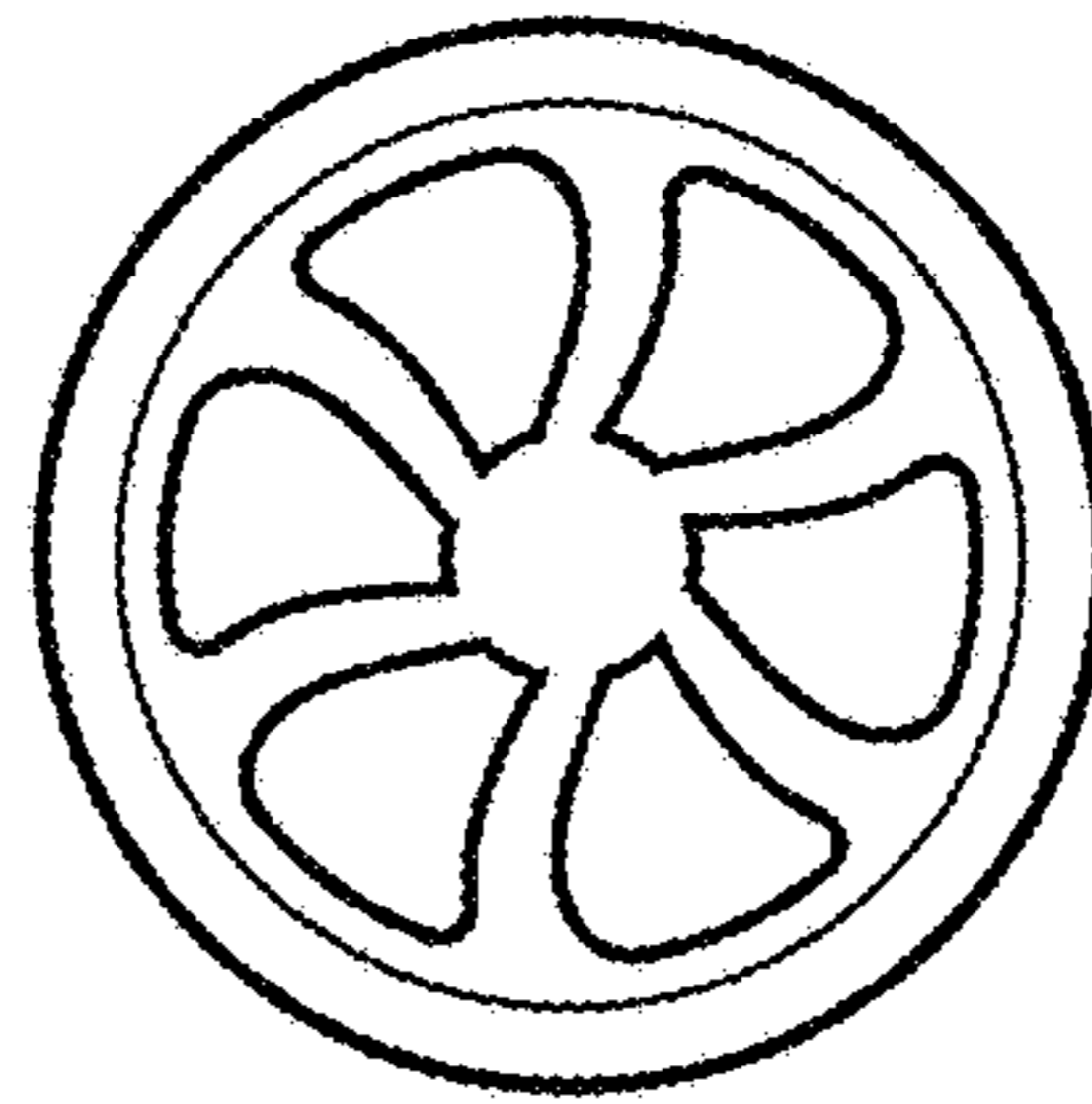


FIG. 9

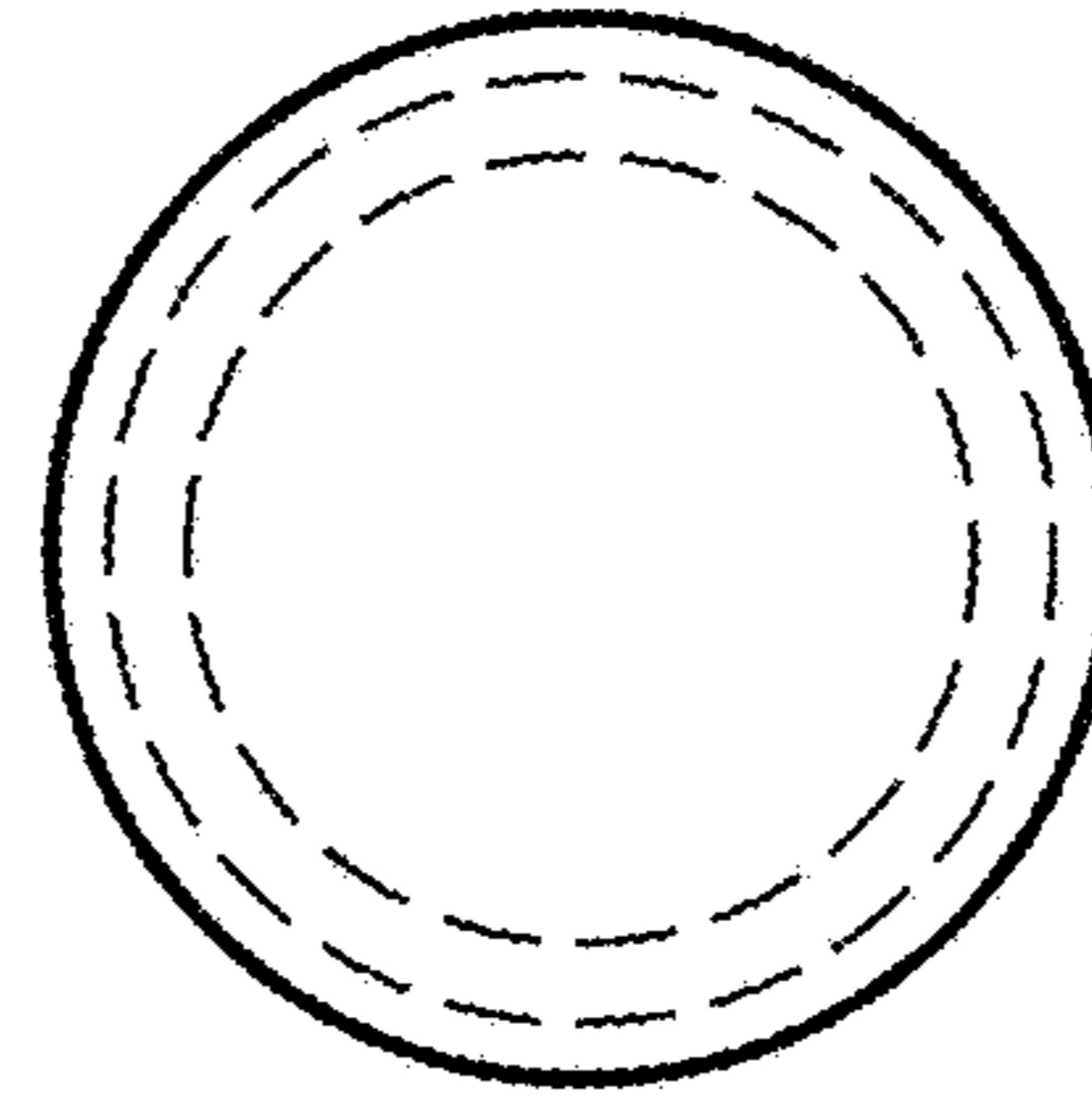


FIG. 10

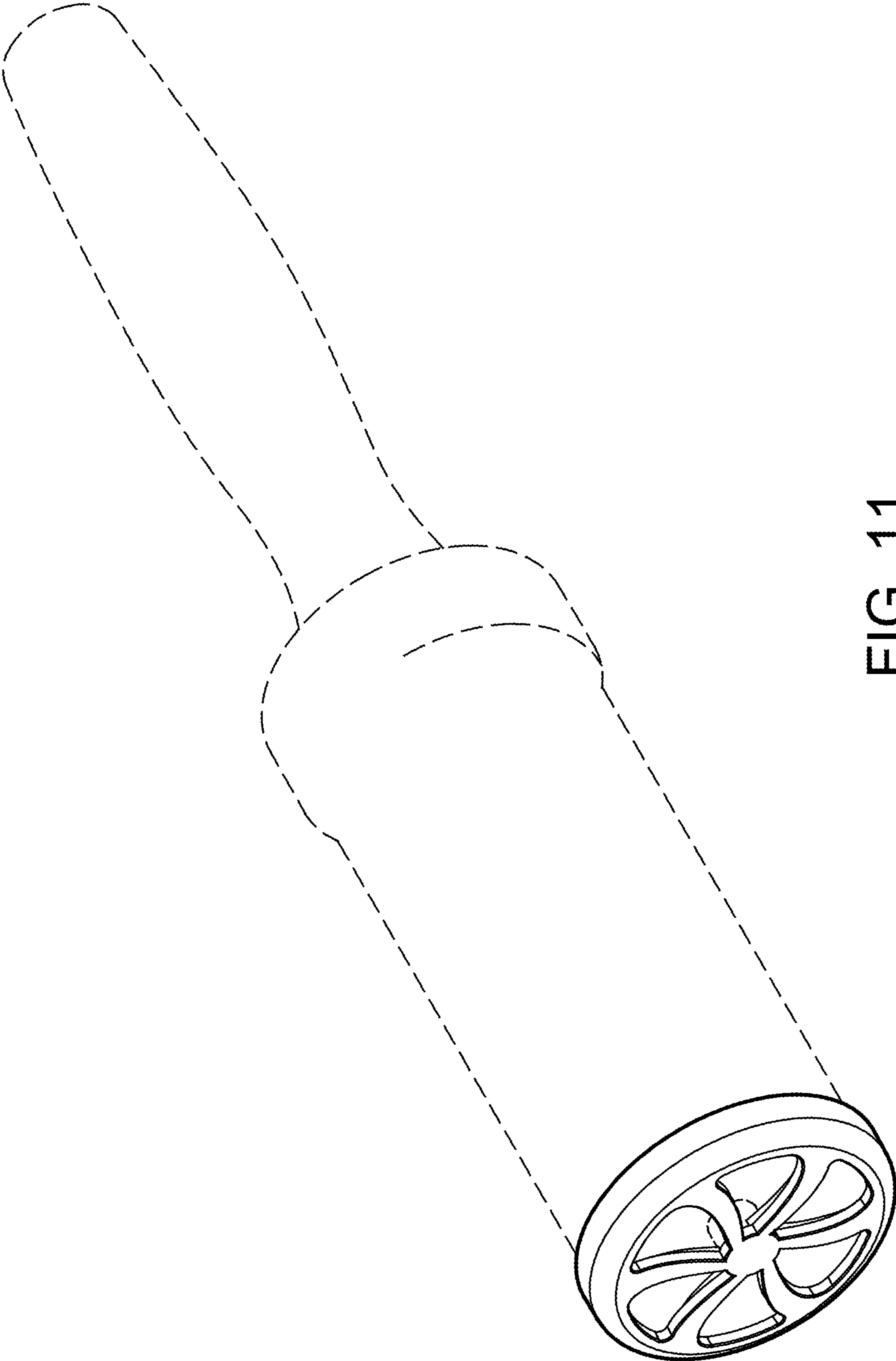


FIG. 11

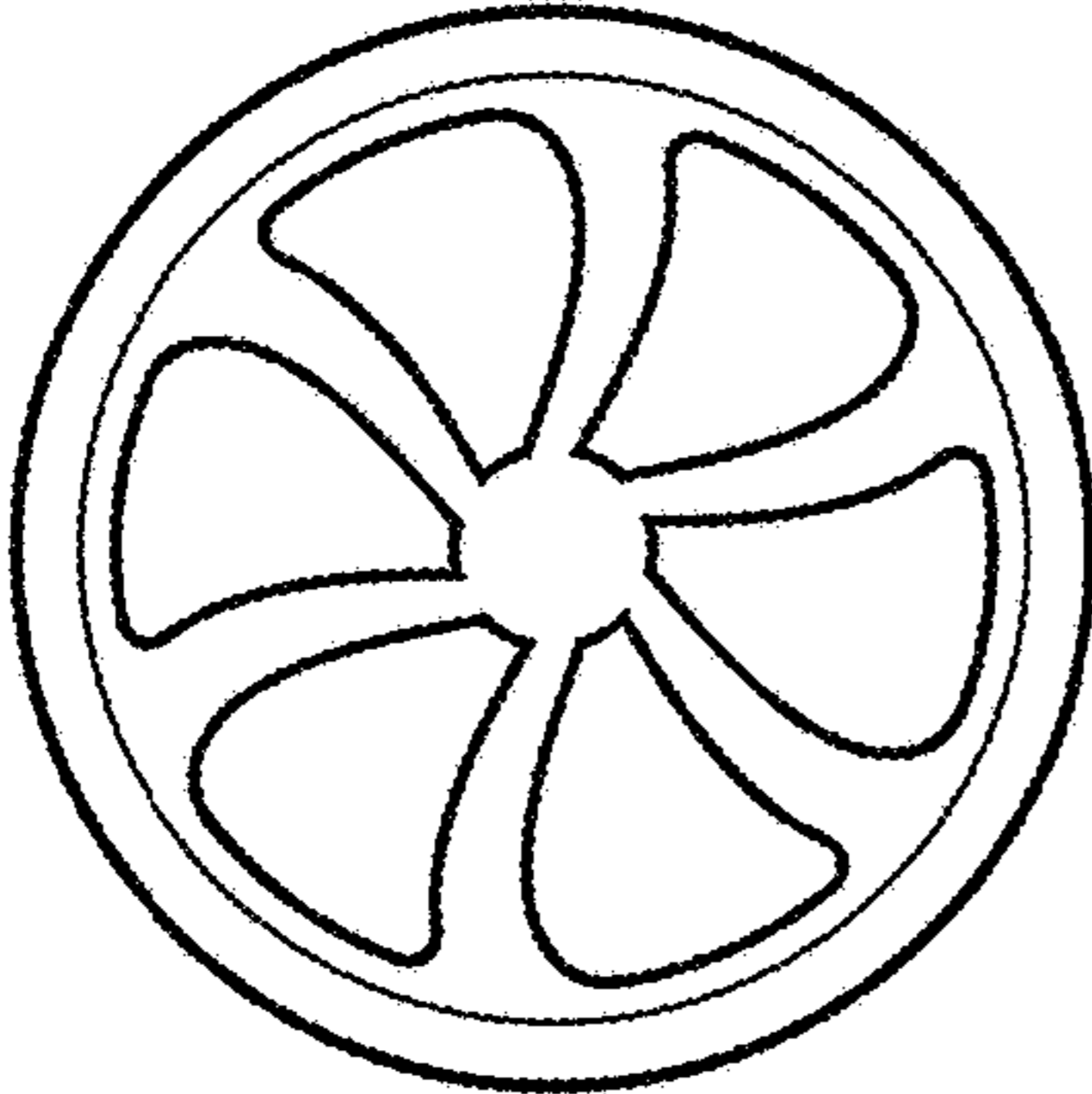


FIG. 13

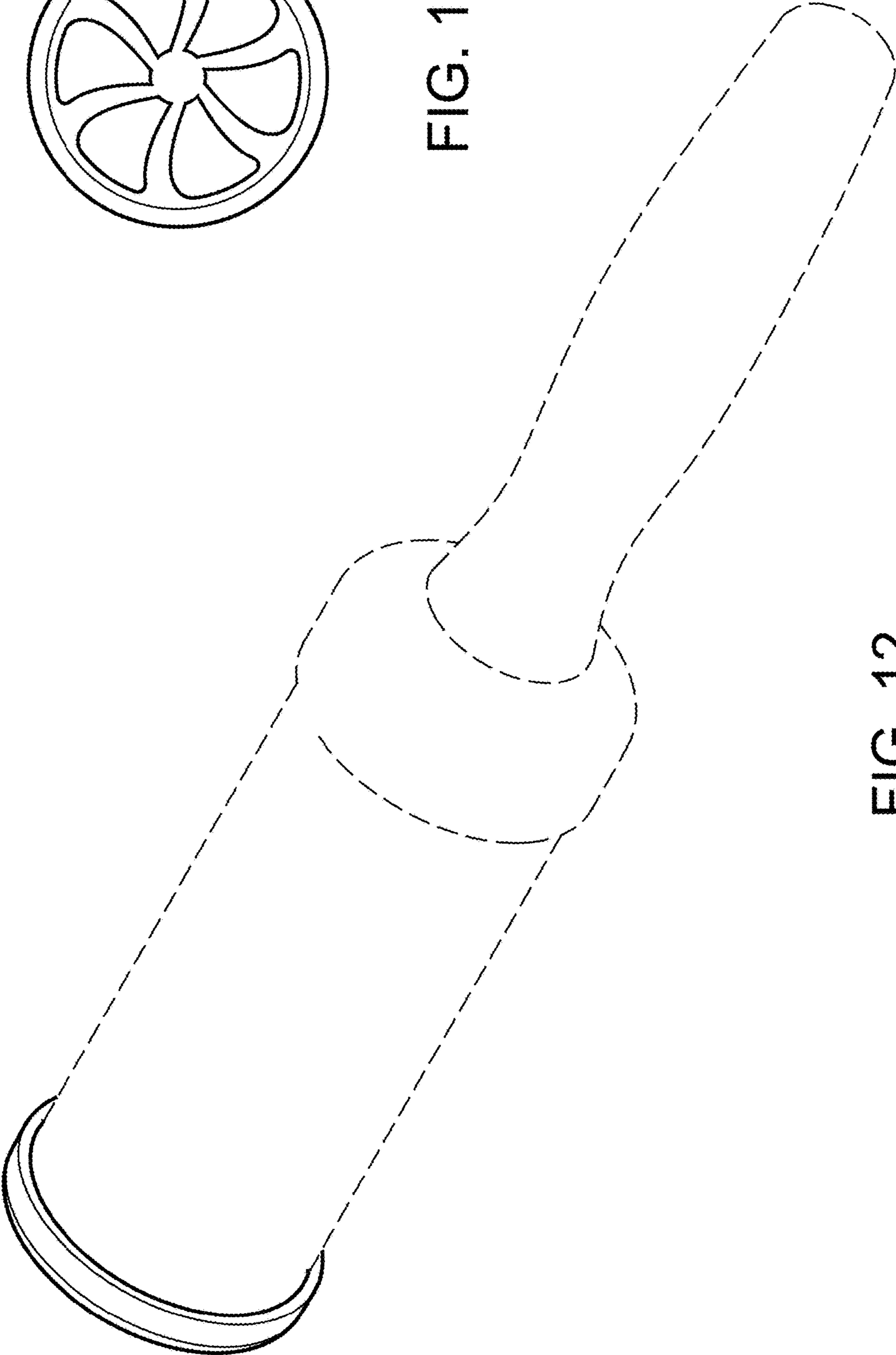


FIG. 12

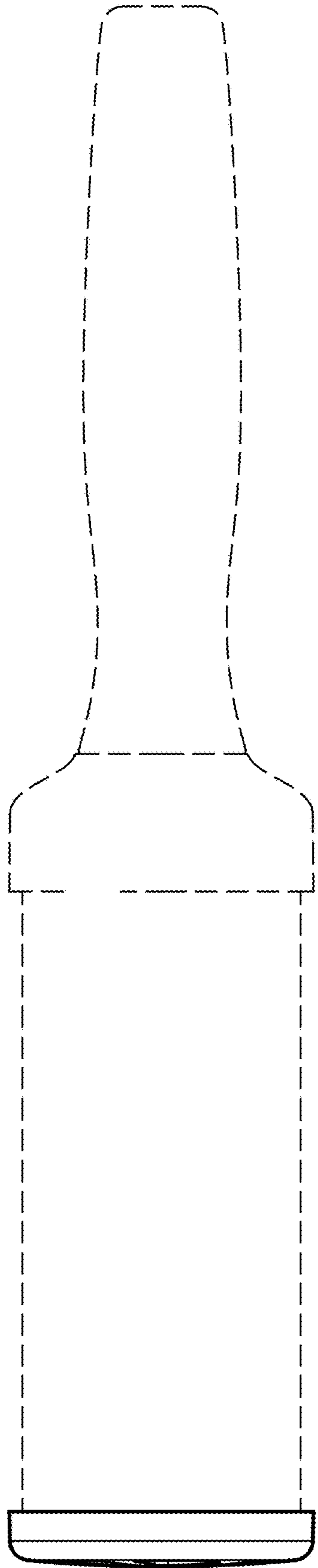


FIG. 14

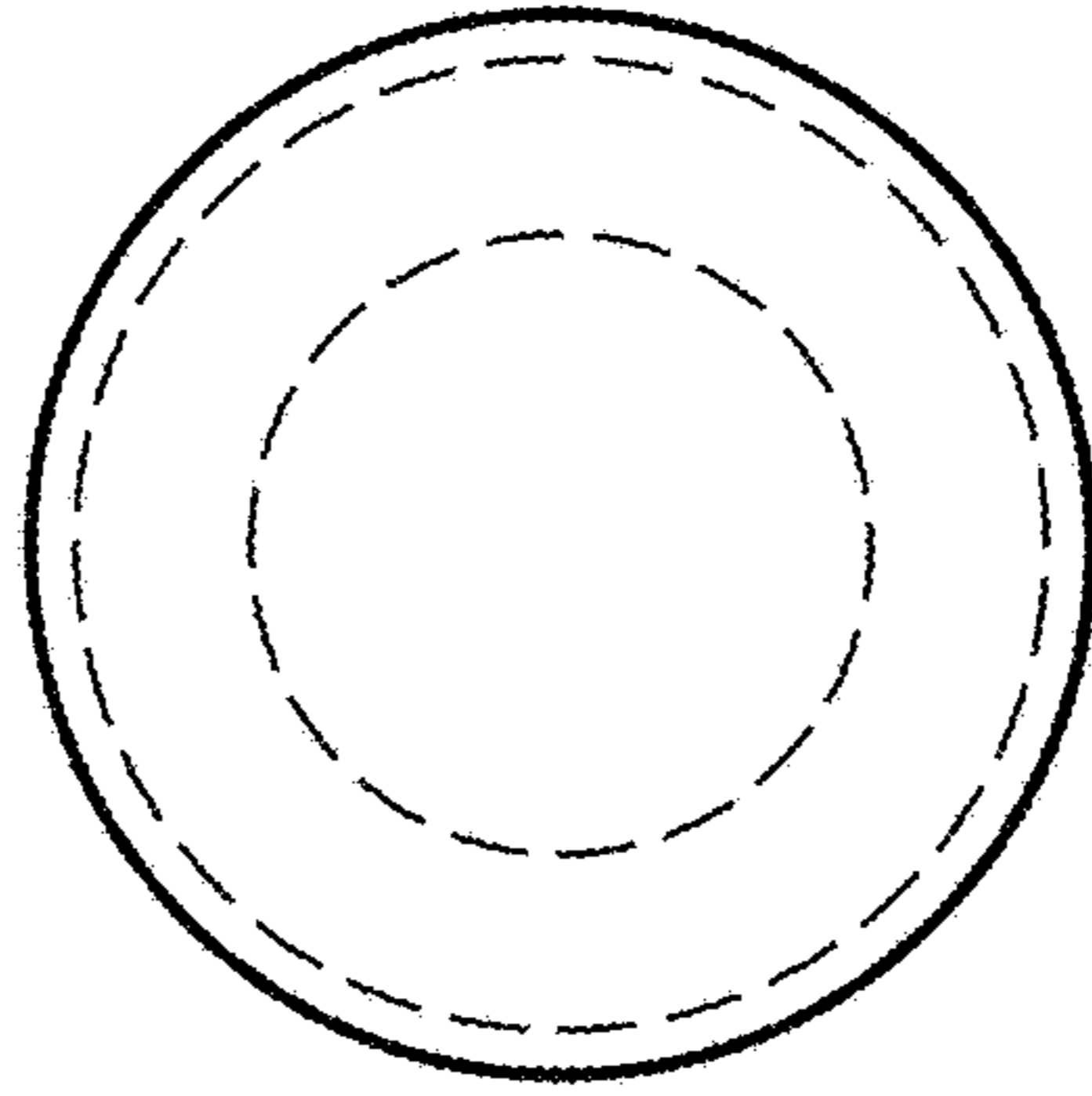


FIG. 15

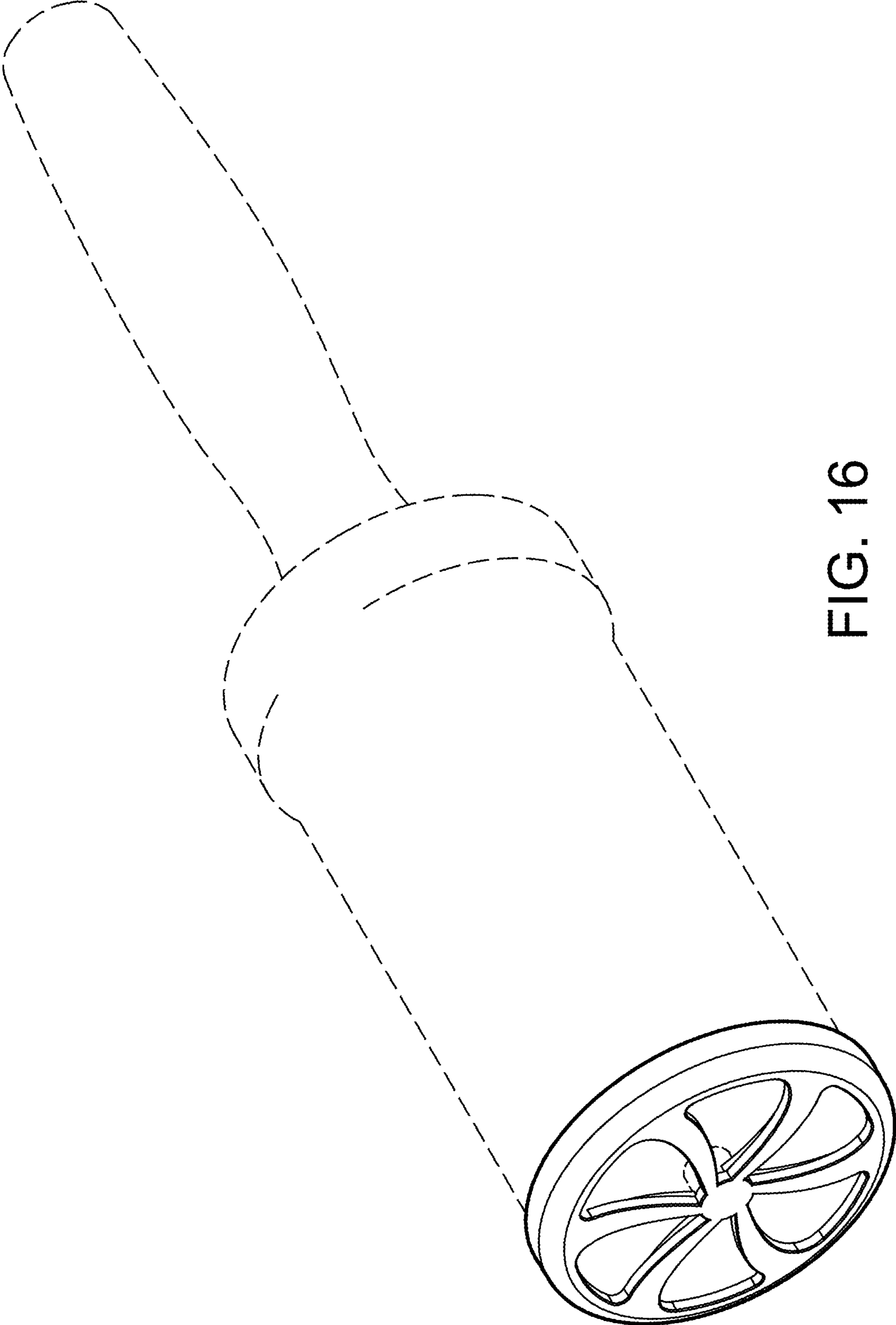


FIG. 16

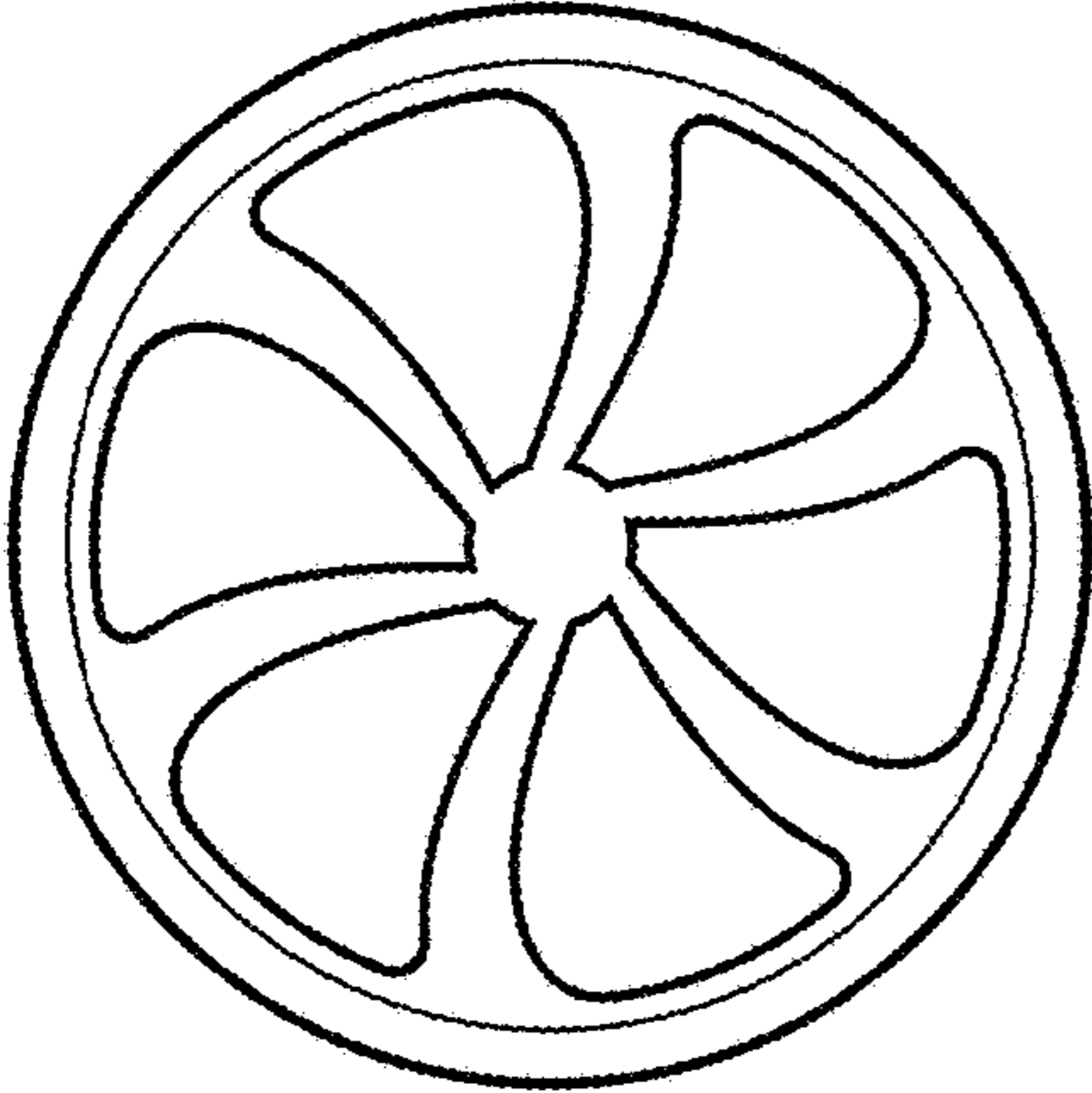


FIG. 18

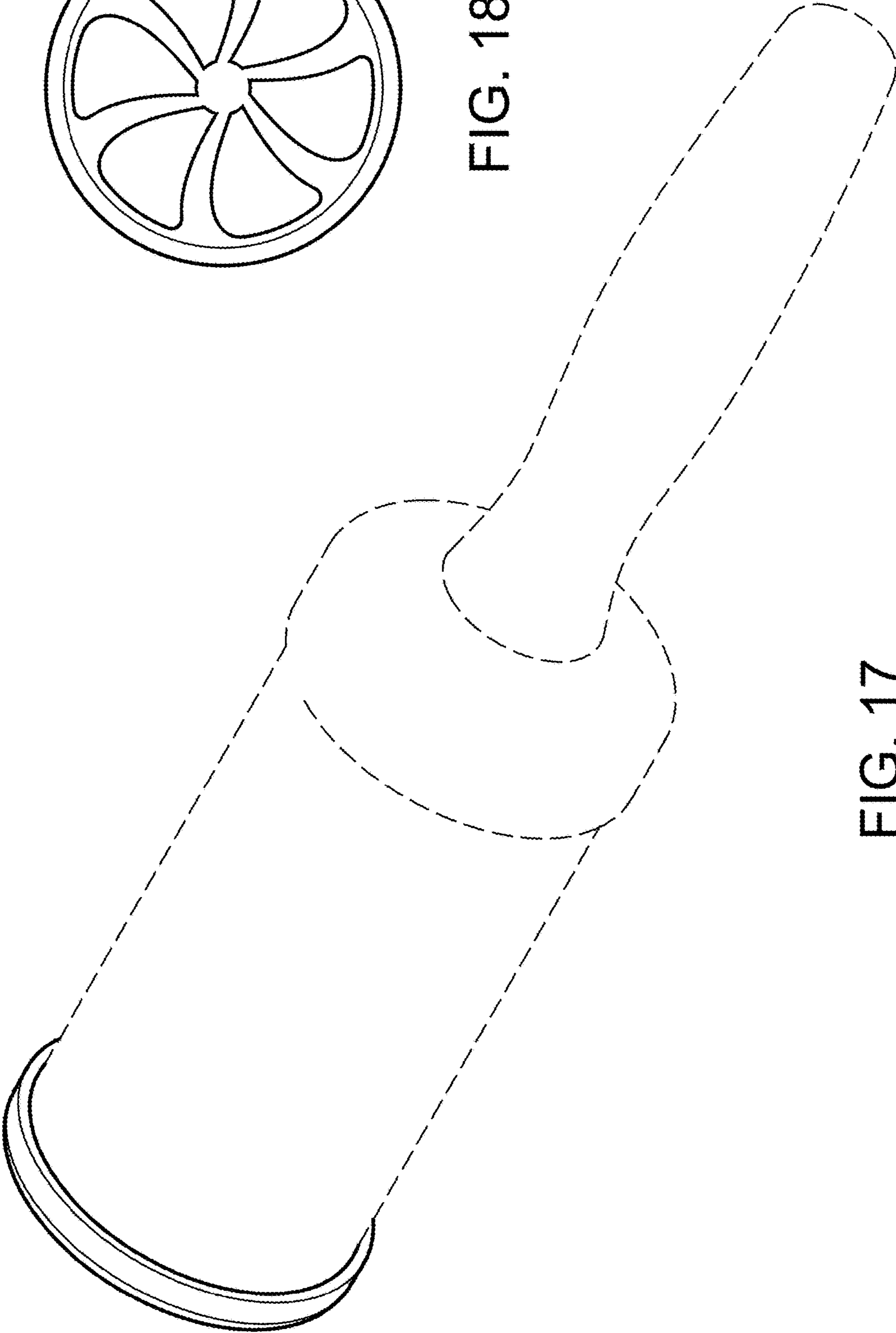


FIG. 17

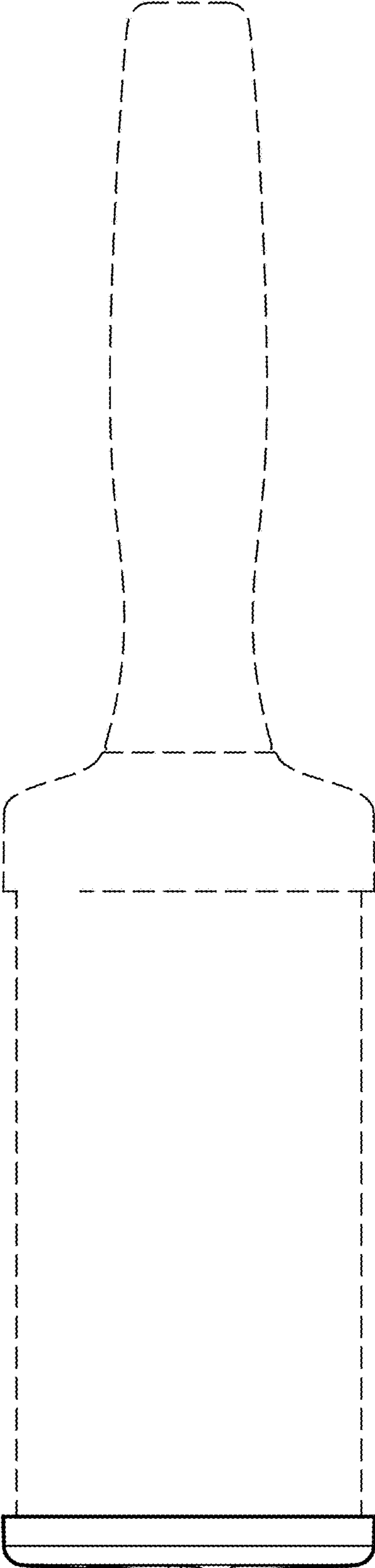


FIG. 19

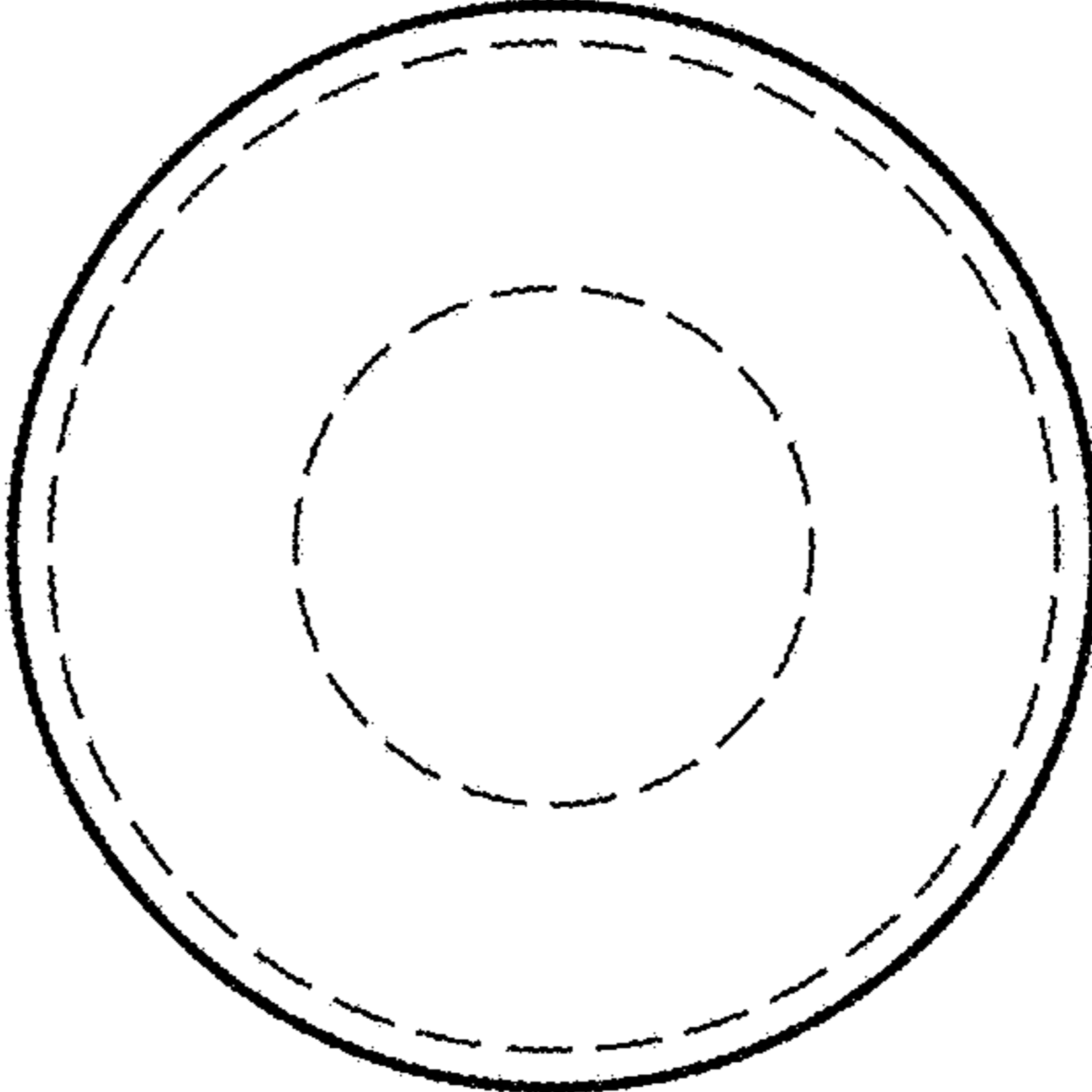


FIG. 20

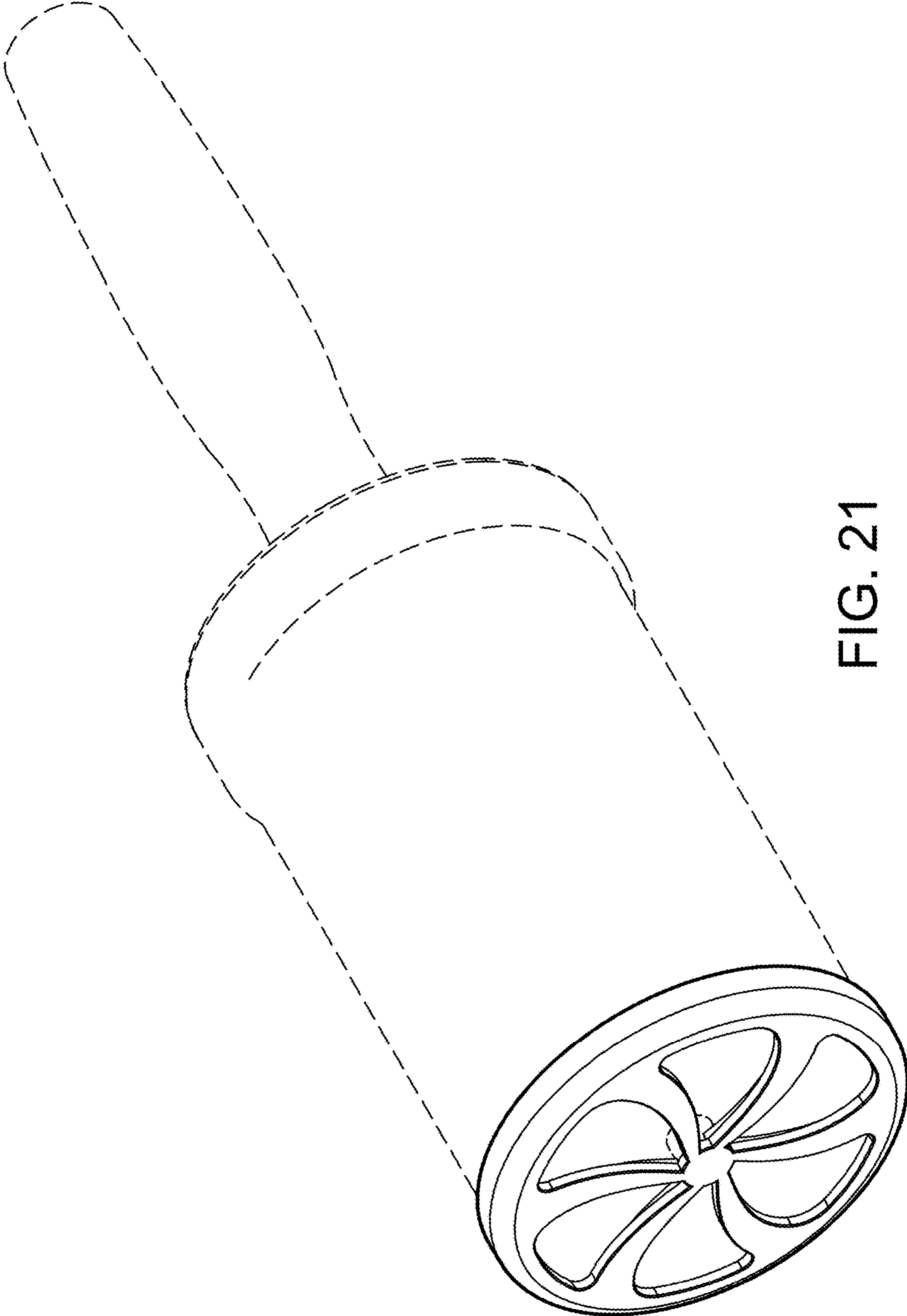


FIG. 21

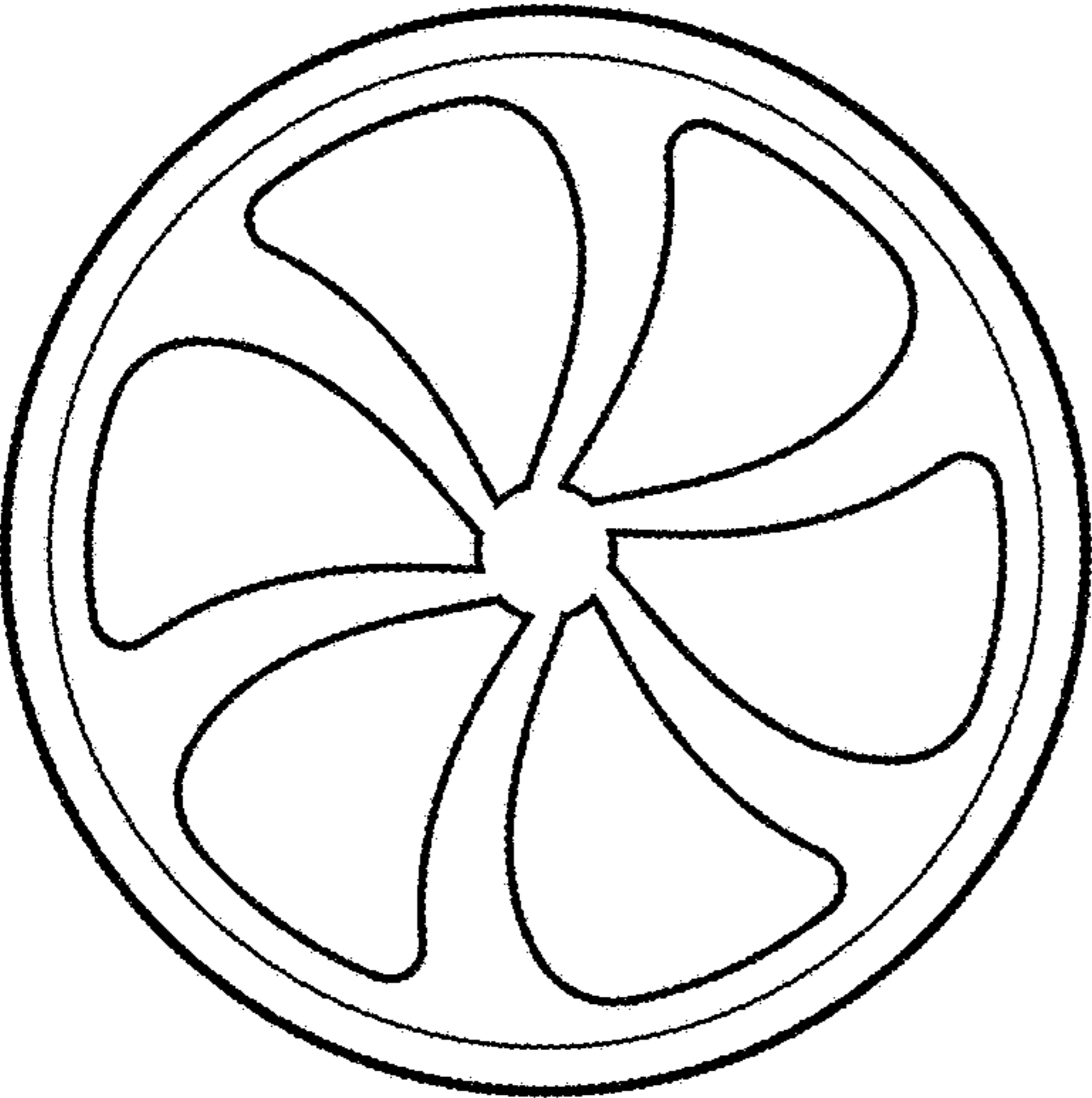


FIG. 23

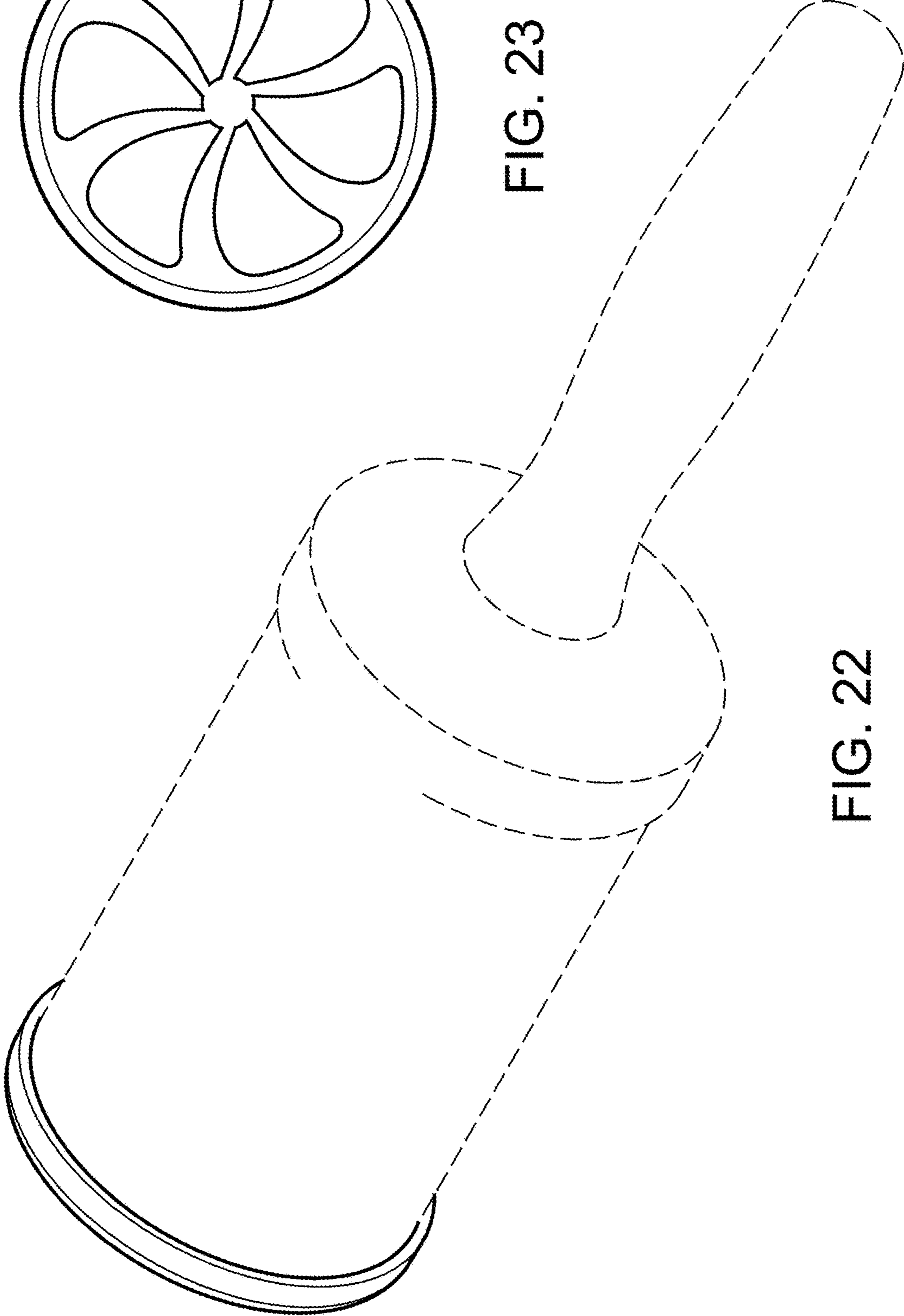


FIG. 22

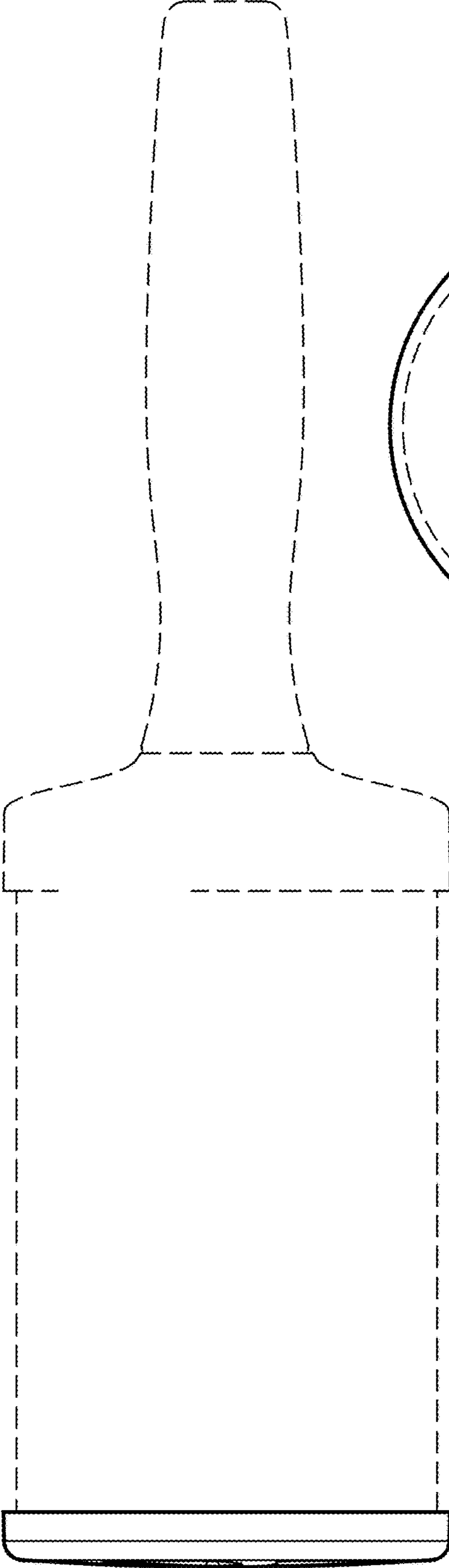


FIG. 24

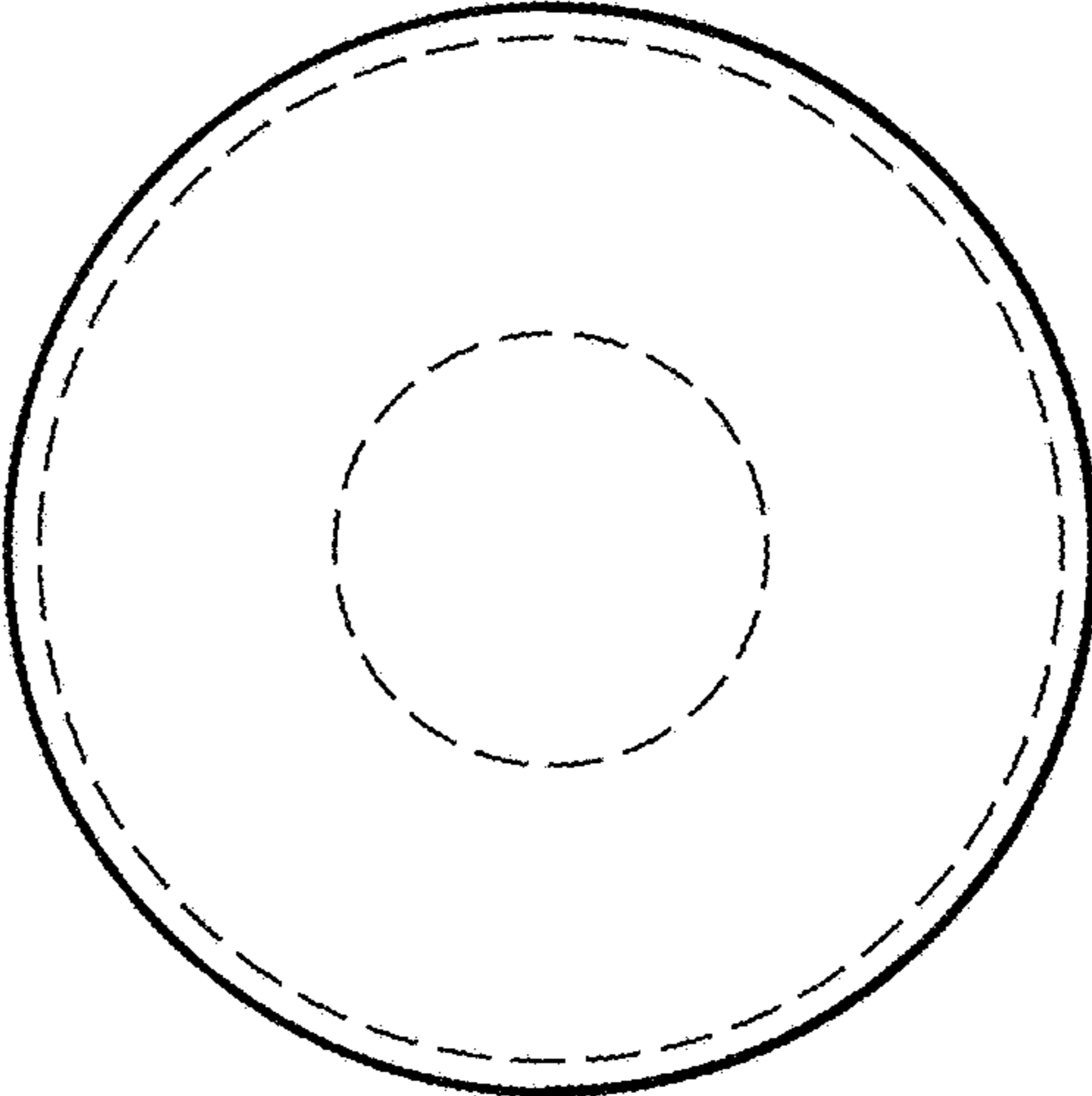


FIG. 25