



US00D801698S

(12) **United States Design Patent** (10) **Patent No.:** **US D801,698 S**
LaFortune et al. (45) **Date of Patent:** **** Nov. 7, 2017**

(54) **TOOTHPASTE EXTRUDING TOOTHBRUSH**

(71) Applicants: **Ricardo LaFortune**, Somerset, NJ
(US); **Kenneth R. Jones**, Wayne, NJ
(US)

(72) Inventors: **Ricardo LaFortune**, Somerset, NJ
(US); **Kenneth R. Jones**, Wayne, NJ
(US)

(**) Term: **15 Years**

(21) Appl. No.: **29/571,312**

(22) Filed: **Jul. 17, 2016**

(51) **LOC (10) Cl.** **04-02**

(52) **U.S. Cl.**
USPC **D4/104; D4/114**

(58) **Field of Classification Search**
USPC D4/101, 102, 104, 105, 106, 107, 108,
D4/109, 110, 111, 112, 113
CPC A46B 9/04; A46B 9/10; A46B 11/0006
See application file for complete search history.

(56) **References Cited**

U.S. PATENT DOCUMENTS

- 1,540,090 A * 6/1925 Shapiro A46B 11/0006
222/390
- 2,445,571 A * 7/1948 Fuston A46B 11/0006
222/103
- 4,265,560 A 5/1981 Spica
- D282,318 S * 1/1986 Herzfeld D4/104
- D290,312 S * 6/1987 Wang D28/68
- D366,960 S * 2/1996 Crimi D4/104
- D368,374 S * 4/1996 Ashcraft 401/184
- D373,023 S * 8/1996 Otero D4/108
- D373,250 S * 9/1996 Cavazza D4/104
- D375,407 S * 11/1996 Smith D4/108
- 5,584,593 A * 12/1996 Lafortune A46B 11/0003
401/184
- 5,599,126 A 2/1997 Hough

- 5,630,244 A * 5/1997 Chang A46B 5/0062
15/143.1
- D386,312 S * 11/1997 Moskovich D4/104
- D386,618 S * 11/1997 Braden D4/104
- D387,203 S * 12/1997 Matharu D4/104
- D389,316 S * 1/1998 Travesi D4/108
- D393,748 S * 4/1998 Peltier D4/108
- D398,154 S * 9/1998 Moskovich D4/104
- D401,413 S * 11/1998 Porter D4/104
- D402,120 S * 12/1998 Ganci D4/108
- 5,908,257 A 6/1999 Martin
- D421,843 S * 3/2000 Joergensen D4/104
- D438,386 S * 3/2001 Enriquez D4/107
- D440,404 S * 4/2001 Naslund D4/104
- D448,933 S * 10/2001 Mitchell D4/108
- 6,345,405 B1 * 2/2002 Brackin A46B 7/023
15/106
- D457,325 S * 5/2002 Wilson D4/104
- D477,466 S * 7/2003 Jones D4/108

(Continued)

FOREIGN PATENT DOCUMENTS

CN 303954597 * 12/2016

Primary Examiner — Karen E Eldridge Powers
(74) *Attorney, Agent, or Firm* — RG Patent Consulting,
LLC; Rachel Gilboy

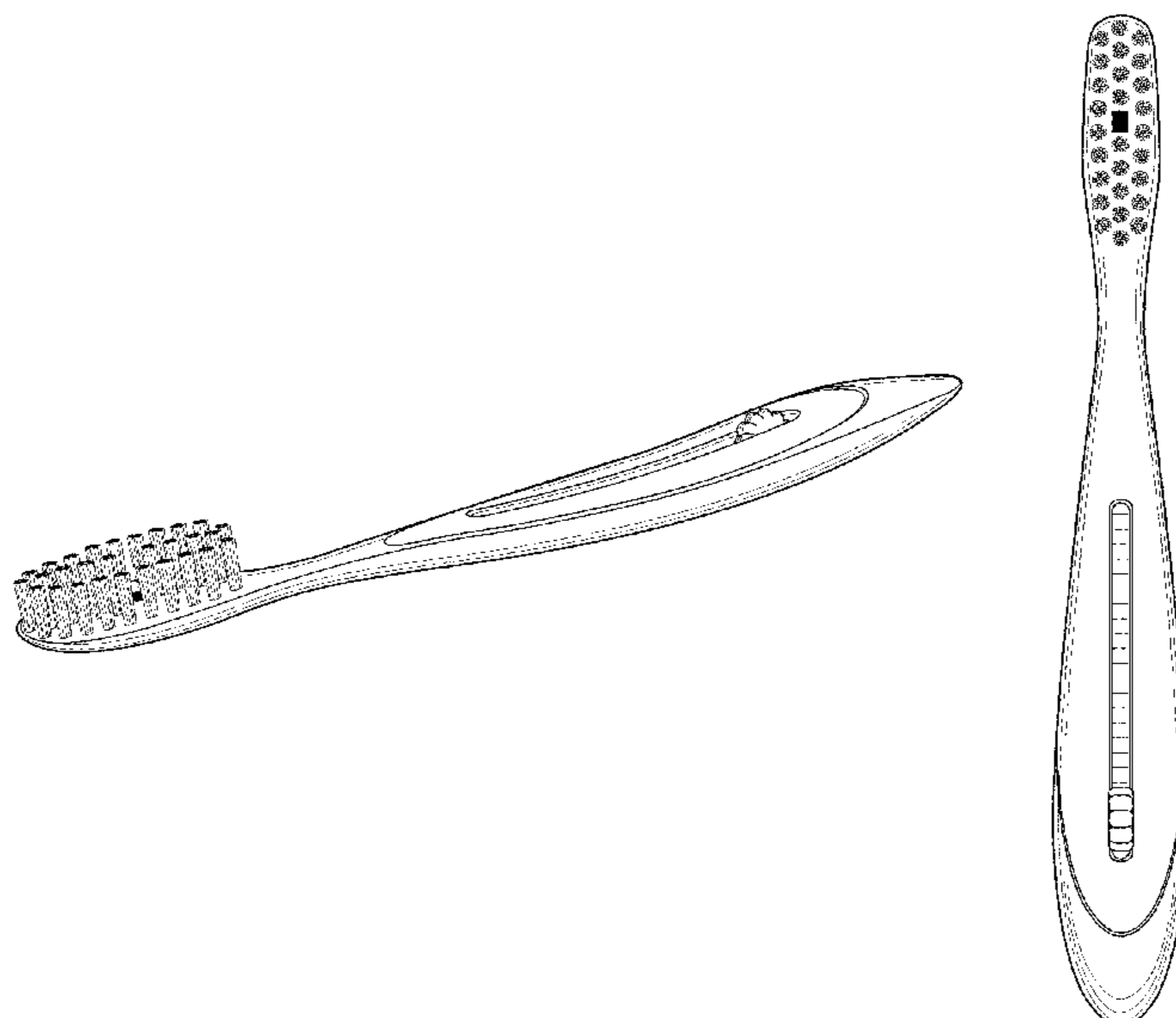
(57) **CLAIM**

The ornamental design for a toothpaste extruding toothbrush, as shown and described.

DESCRIPTION

FIG. 1 is a perspective view of the toothpaste extruding toothbrush showing my new design; FIG. 2 is a top plan view thereof; FIG. 3 is a bottom plan view thereof; FIG. 4 is a left elevational view thereof; FIG. 5 is a right elevational view thereof; FIG. 6 is a front elevational view thereof; and, FIG. 7 is a rear elevational view thereof.

1 Claim, 7 Drawing Sheets



(56)

References Cited

U.S. PATENT DOCUMENTS

D492,116 S * 6/2004 Nanda D4/101
D619,369 S * 7/2010 Nanda D4/104
D627,971 S * 11/2010 Battaglia D4/104
8,632,268 B2 * 1/2014 Kemp A46B 9/04
401/132
8,632,269 B2 * 1/2014 Russell A61C 17/005
401/194
D699,041 S * 2/2014 Waitesmith A45D 40/262
D4/104
8,851,782 B2 * 10/2014 Pei A46B 11/0037
401/152
9,492,005 B2 * 11/2016 Kemp A46B 9/04

* cited by examiner

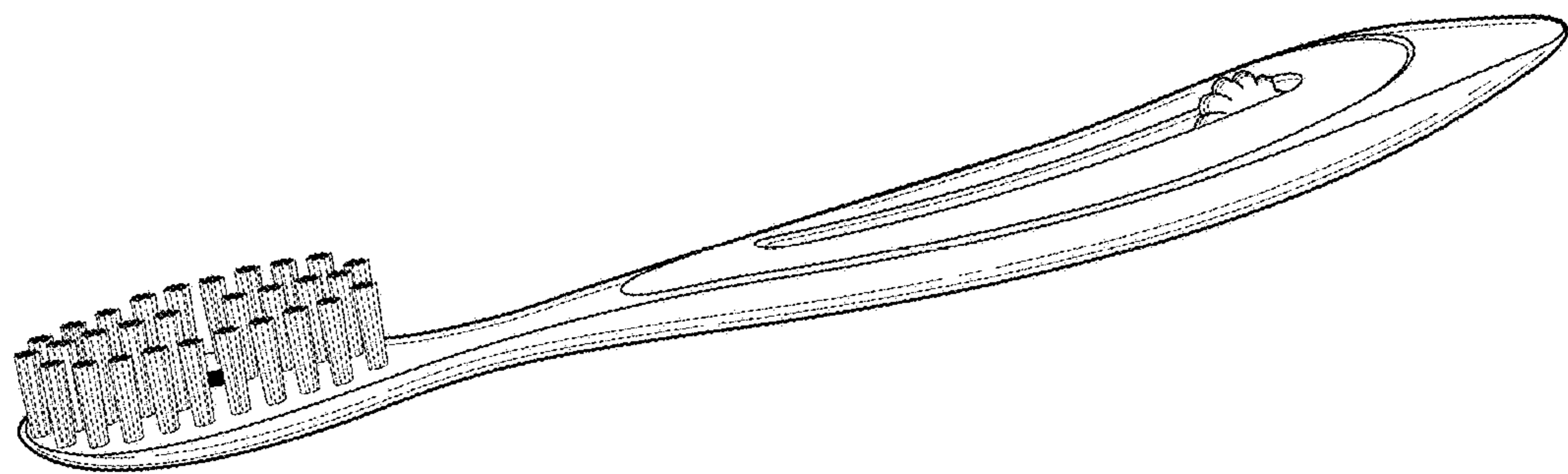


FIG. 1

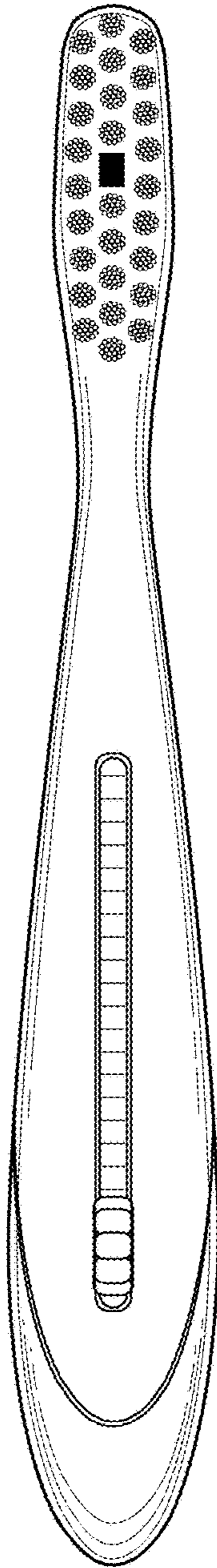


FIG. 2

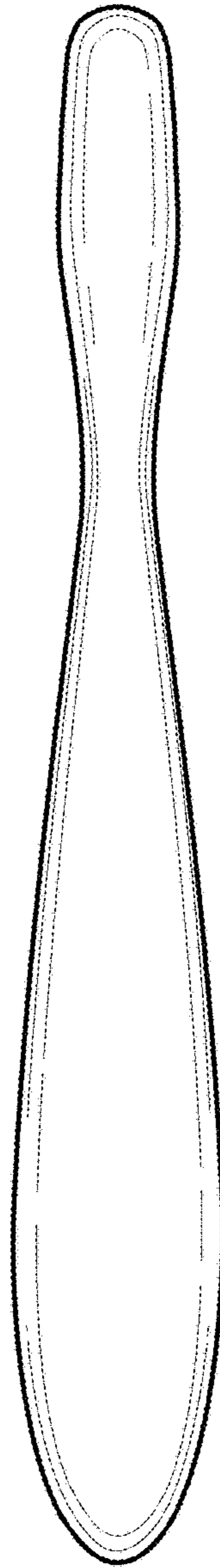


FIG. 3



FIG. 4

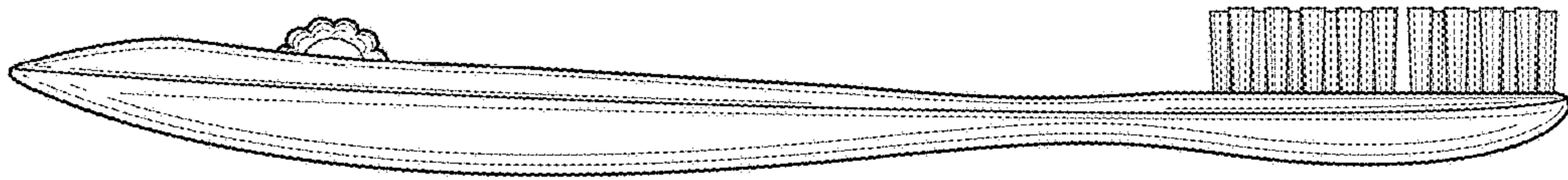


FIG. 5

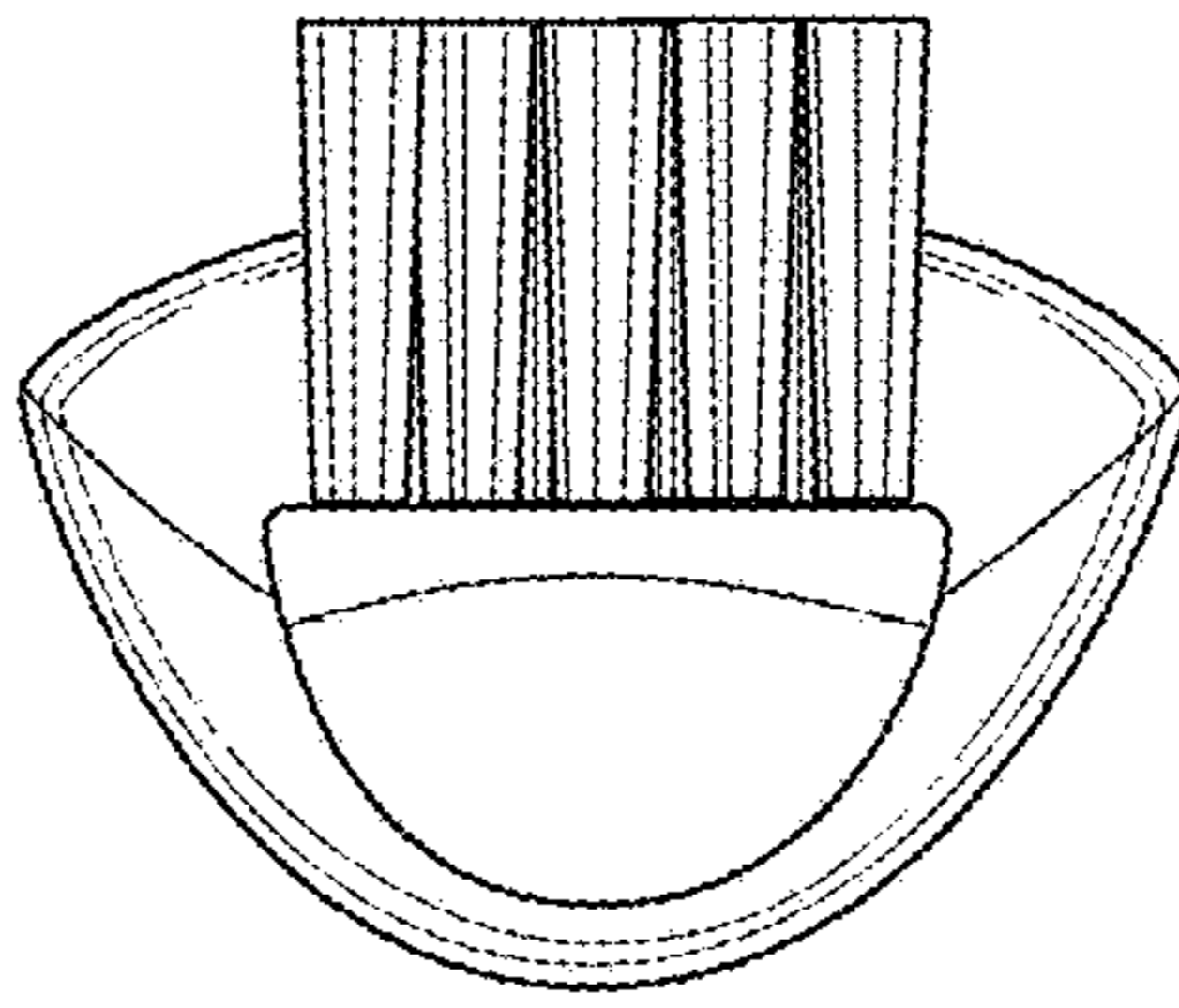


FIG. 6

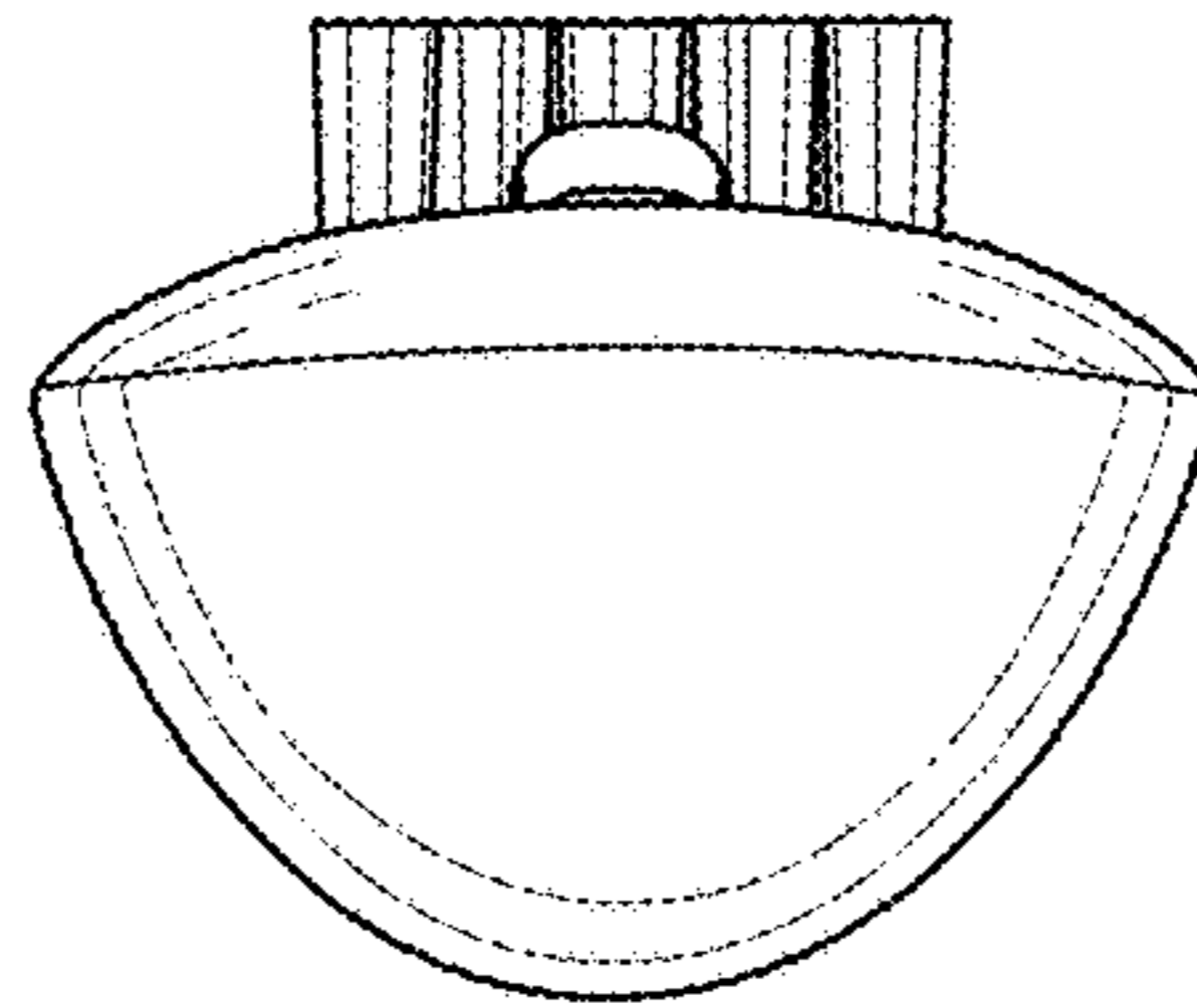


FIG. 7