



US00D801693S

(12) **United States Design Patent** (10) **Patent No.:** **US D801,693 S**  
**Salvador** (45) **Date of Patent:** **\*\* Nov. 7, 2017**

(54) **ROUND LOCK FOR A BAG**  
(71) Applicant: **ALDO GROUP INTERNATIONAL AG**, Baar (CH)  
(72) Inventor: **Jennifer Salvador**, Montreal (CA)  
(73) Assignee: **Aldo Group International AG**, Baar (CH)

(\*\*) Term: **15 Years**  
(21) Appl. No.: **35/001,186**

(22) Filed: **Apr. 6, 2016**

(80) **Hague Agreement Data**

Int. Filing Date: **Apr. 6, 2016**  
Int. Reg. No.: **DM/091187**  
Int. Reg. Date: **Apr. 6, 2016**  
Int. Reg. Pub. Date: **Oct. 7, 2016**

(51) **LOC (10) Cl.** ..... **03-01**  
(52) **U.S. Cl.**  
USPC ..... **D3/324; D3/318; D8/331**

(58) **Field of Classification Search**  
USPC ..... D3/226, 229, 230, 232-233, 240-243,  
D3/245-246, 318, 321-328; D8/330,  
D8/331, 341, 343-346, 349  
CPC ..... A45C 11/18; A45C 11/182; A45C 1/024;  
A45C 3/06; A45C 13/06  
See application file for complete search history.

(56) **References Cited**

**U.S. PATENT DOCUMENTS**

3,026,591 A \* 3/1962 Brock ..... A44B 11/25  
24/310  
D197,204 S \* 12/1963 Aigner ..... D8/336  
3,394,959 A \* 7/1968 Hoffmann ..... A45C 13/06  
292/288  
D344,471 S \* 2/1994 Perrin ..... D11/231  
D357,435 S \* 4/1995 Cook ..... D11/200

D361,665 S \* 8/1995 Izumi ..... D3/318  
D394,553 S \* 5/1998 Lin ..... D3/318  
D431,453 S \* 10/2000 Chan ..... D11/220  
D432,400 S \* 10/2000 Chan ..... D11/220  
D519,410 S \* 4/2006 Luk ..... D11/200  
D521,239 S \* 5/2006 Moon ..... D3/324  
D527,309 S \* 8/2006 Grimm ..... D11/218  
D532,200 S \* 11/2006 Gonzalez ..... D3/326  
D572,485 S \* 7/2008 Gonzalez ..... D3/318  
D644,028 S \* 8/2011 Boas ..... D3/324  
D644,029 S \* 8/2011 Boas ..... D3/324  
D684,371 S \* 6/2013 Ross ..... D3/318  
D686,903 S \* 7/2013 Guichot ..... D8/331  
D696,017 S \* 12/2013 Lagerfeld ..... D3/318  
D698,154 S \* 1/2014 Ford ..... D3/318  
D718,536 S \* 12/2014 Guichot ..... D3/324

(Continued)

*Primary Examiner* — Darlington Ly

(74) *Attorney, Agent, or Firm* — Drinker Biddle & Reath LLP

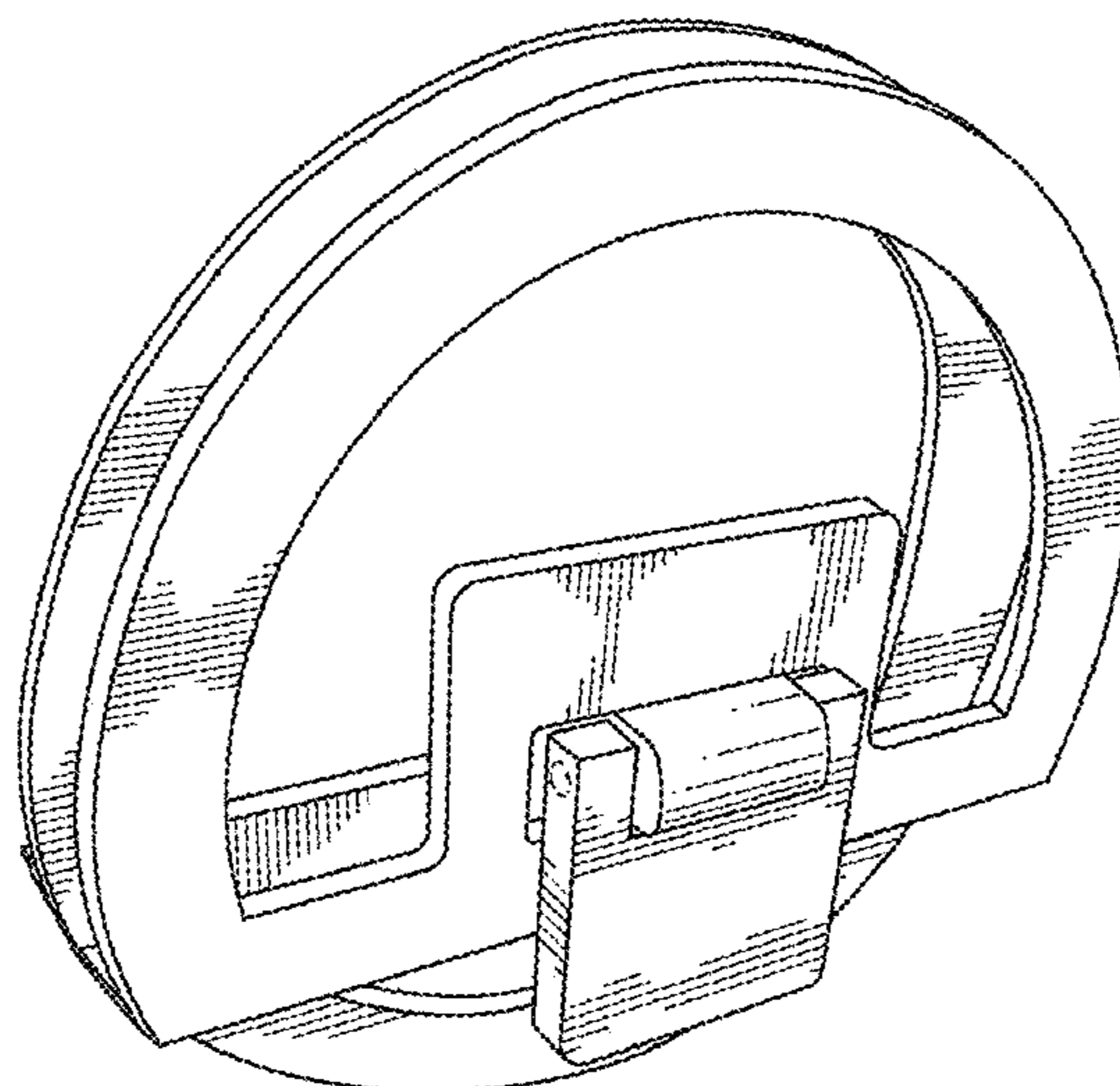
(57) **CLAIM**

The ornamental design for a round lock for a bag, as shown and described.

**DESCRIPTION**

1. Round lock for a bag  
1.1 is a front perspective view of an round lock for a bag showing my new design;  
1.2 is a front elevation view thereof;  
1.3 is a rear elevation view thereof;  
1.4 is a left side elevation view thereof;  
1.5 is a right side elevation view thereof;  
1.6 is a top plan view thereof;  
1.7 is a bottom plan view thereof; and  
1.8 is a front perspective view thereof, wherein the round lock is shown on an exemplary bag.  
A two-piece round ornamental lock for securing a flap on a bag, such as a handbag or clutch; the handbag shown in broken lines in 1.8 is provided for the purposes of illustrating environmental structure and forms no part of the claimed design.

**1 Claim, 8 Drawing Sheets**



(56)

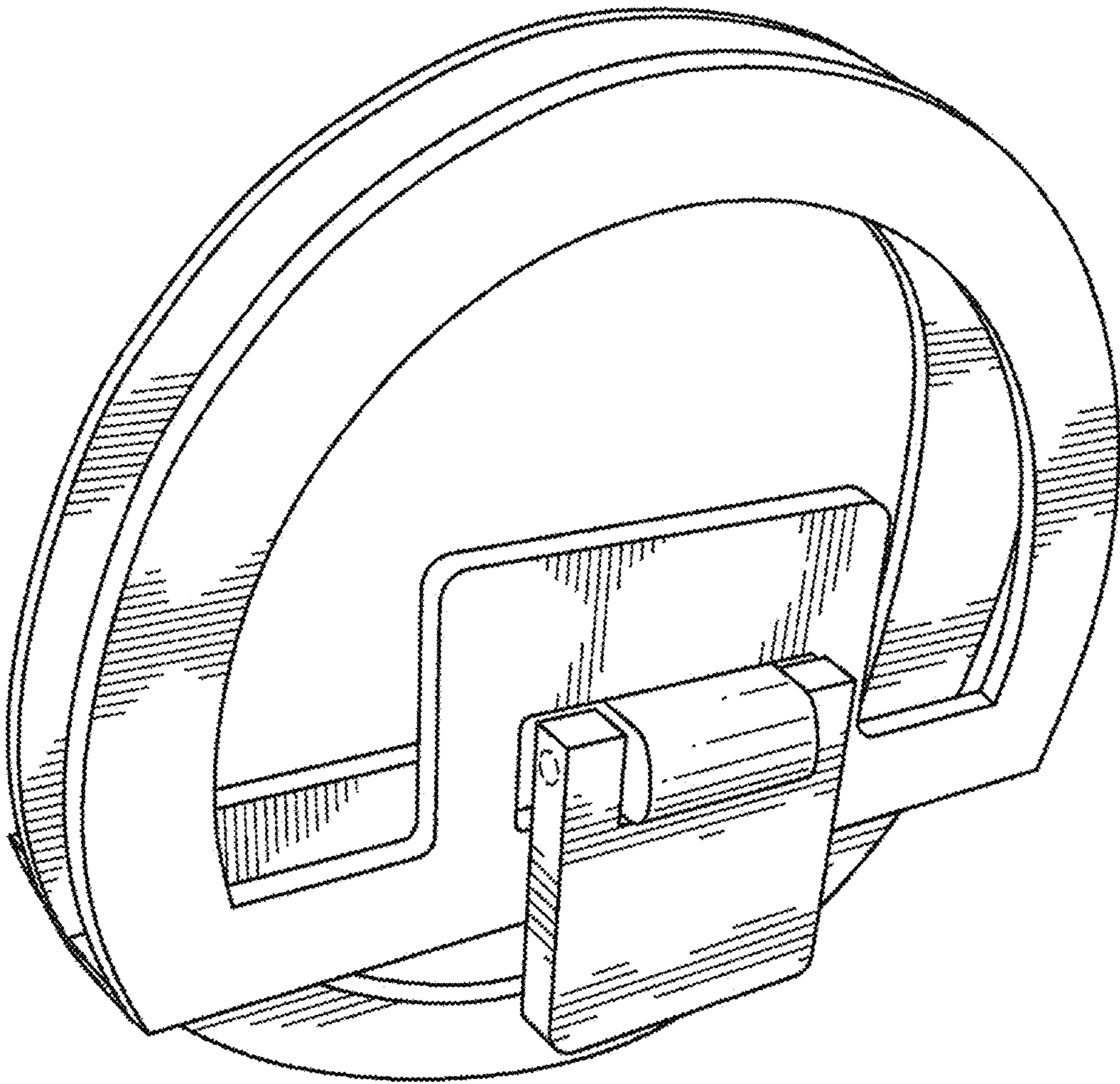
**References Cited**

U.S. PATENT DOCUMENTS

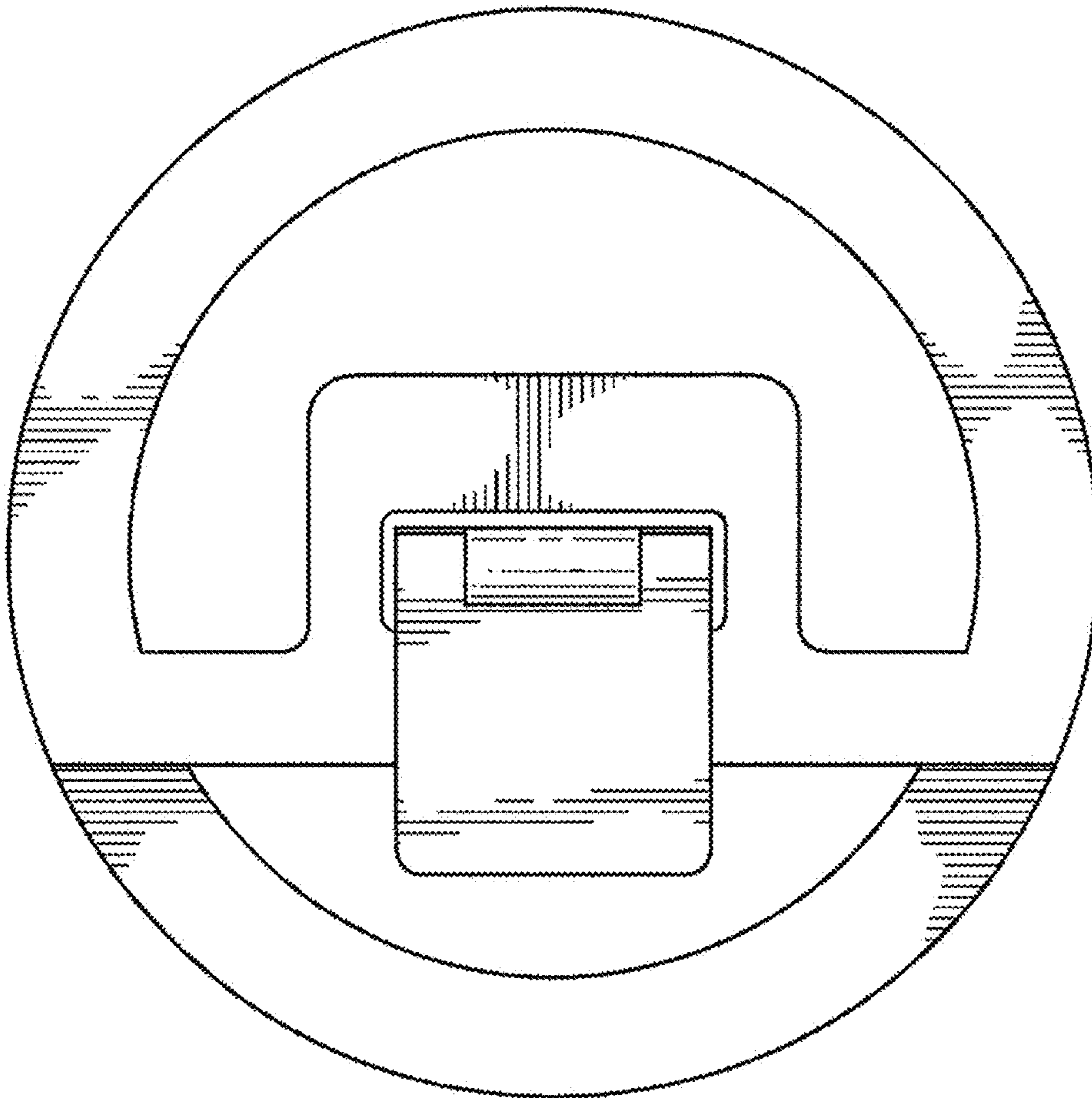
D728,214 S *	5/2015	Harvey	.....	D2/976
D752,866 S *	4/2016	Guichot	.....	D3/318
D761,024 S *	7/2016	Guichot	.....	D3/318
D771,947 S *	11/2016	Tong	.....	D3/318
D785,944 S *	5/2017	Chung	.....	D3/318
2007/0028429 A1 *	2/2007	Ishida	.....	A45C 13/1069 24/303

\* cited by examiner

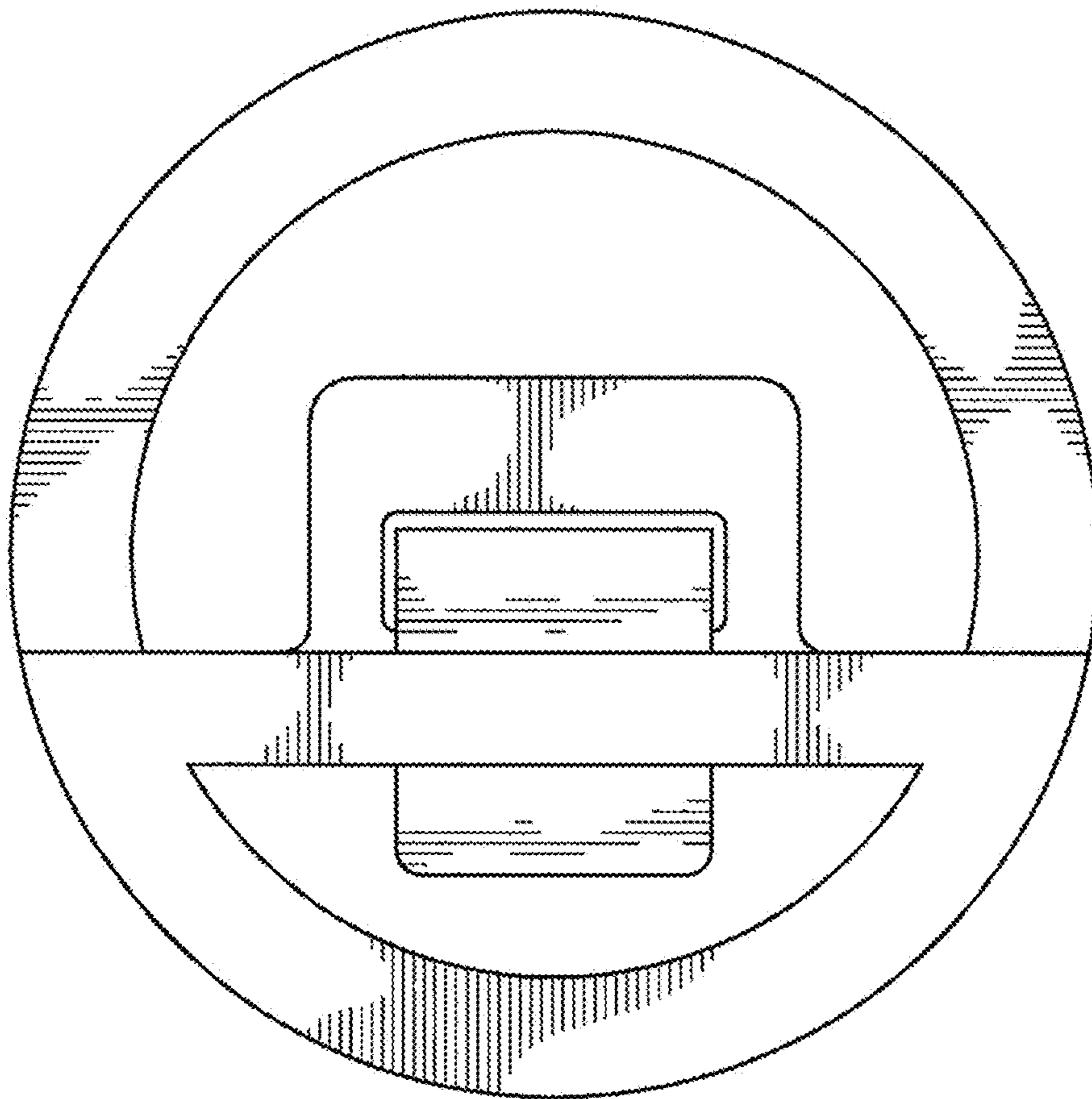
1.1



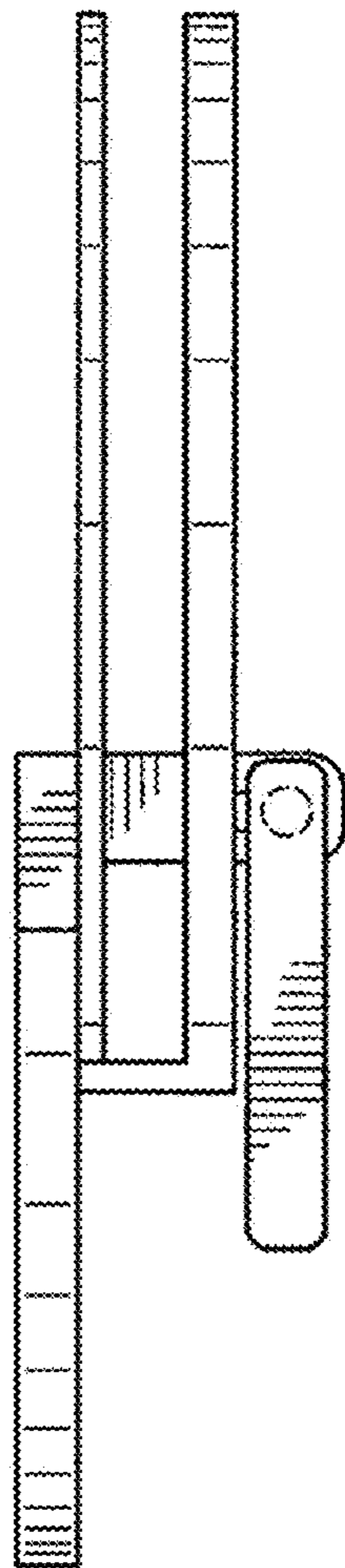
1.2



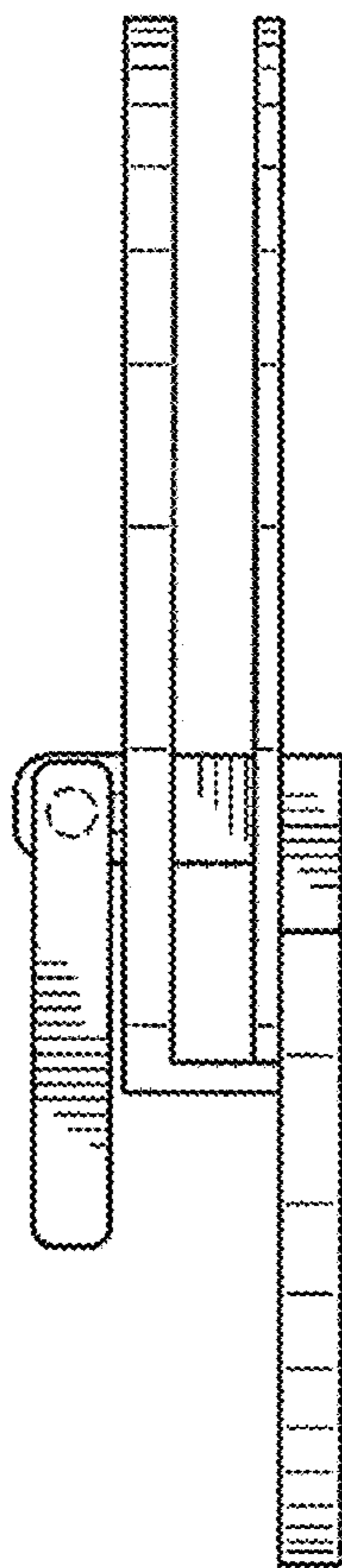
1.3



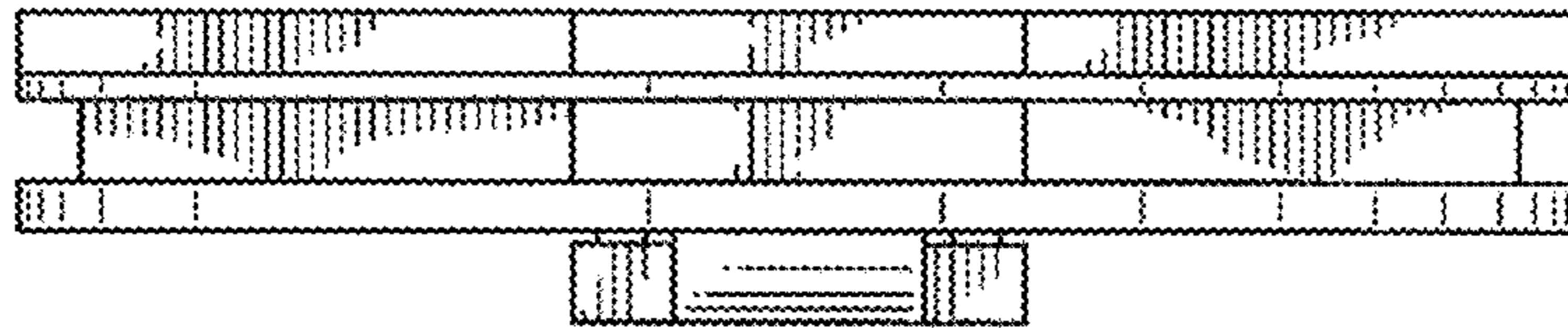
1.4



1.5

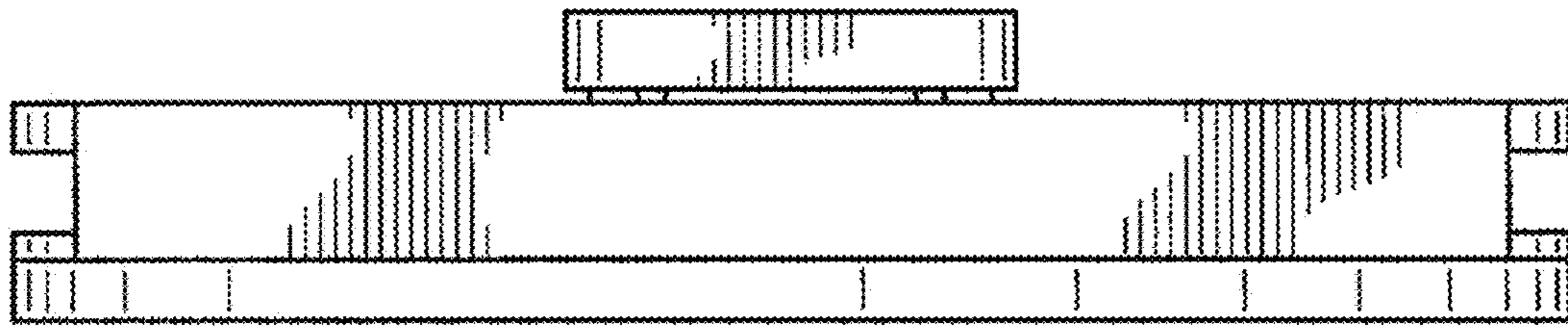


**1.6**





1.7



1.8

