



US00D801691S

(12) **United States Design Patent** (10) **Patent No.:** **US D801,691 S**
Burgess (45) **Date of Patent:** **** Nov. 7, 2017**

- (54) **GOLF BAG SIDE POCKET**
- (71) Applicant: **Acushnet Company**, Fairhaven, MA (US)
- (72) Inventor: **Ian Burgess**, Hampstead, NH (US)
- (73) Assignee: **Acushnet Company**, Fairhaven, MA (US)
- (**) Term: **15 Years**
- (21) Appl. No.: **29/577,385**
- (22) Filed: **Sep. 13, 2016**
- (51) **LOC (10) Cl.** **03-01**
- (52) **U.S. Cl.**
USPC **D3/320; D3/303**
- (58) **Field of Classification Search**
USPC D2/853, 857, 891, 895; D3/221, 224, D3/225, 254, 255, 256, 259, 260, 303, D3/304, 315, 316, 318-322, 327, 328, D3/328.1; D20/13, 15, 17, 22, 27, 41, D20/42, 99; D21/753-759, 789, 796, 803
CPC A63B 55/00; A63B 55/10; A63B 55/40; A63B 55/60; A63B 55/403; A63B 55/404; A63B 55/406; B62B 2202/404
See application file for complete search history.

- (56) **References Cited**
U.S. PATENT DOCUMENTS
D246,591 S * 12/1977 Sollazzi 190/100
D270,584 S * 9/1983 Ogden 2/79
D337,193 S * 7/1993 Nguyen D2/857
D404,570 S * 1/1999 Ault D3/234
D414,337 S * 9/1999 Hubert D3/222
D416,125 S * 11/1999 Falk D2/828
D419,282 S * 1/2000 Nickle D2/857
D419,295 S 1/2000 Reimers
D422,137 S 4/2000 Reimers
D422,407 S * 4/2000 Sundara D3/255

- D460,264 S * 7/2002 King D3/318
- D467,079 S * 12/2002 Willows D3/301
- D471,016 S * 3/2003 Vazquez D2/857
- D488,619 S 4/2004 Klock
- D493,033 S 7/2004 Howe, Jr.
- D501,583 S * 2/2005 Taylor D2/639
- D501,992 S 2/2005 Renahan et al.
- D501,993 S 2/2005 Renahan et al.
- D526,784 S * 8/2006 Proot D3/318
- D534,356 S * 1/2007 Fangman D3/321
- D570,115 S * 6/2008 Lyons D3/321
- D641,166 S * 7/2011 Zivanovic D3/262
- D653,032 S 1/2012 Myers
- D689,671 S * 9/2013 Porti D2/891
- D690,938 S * 10/2013 Willows D3/303
- D696,012 S * 12/2013 Hanlon D3/224
- D711,651 S * 8/2014 Koenig D3/303

(Continued)

Primary Examiner — Susan E Krakower
Assistant Examiner — L. A. Grabenstetter
(74) *Attorney, Agent, or Firm* — Daniel W. Sullivan

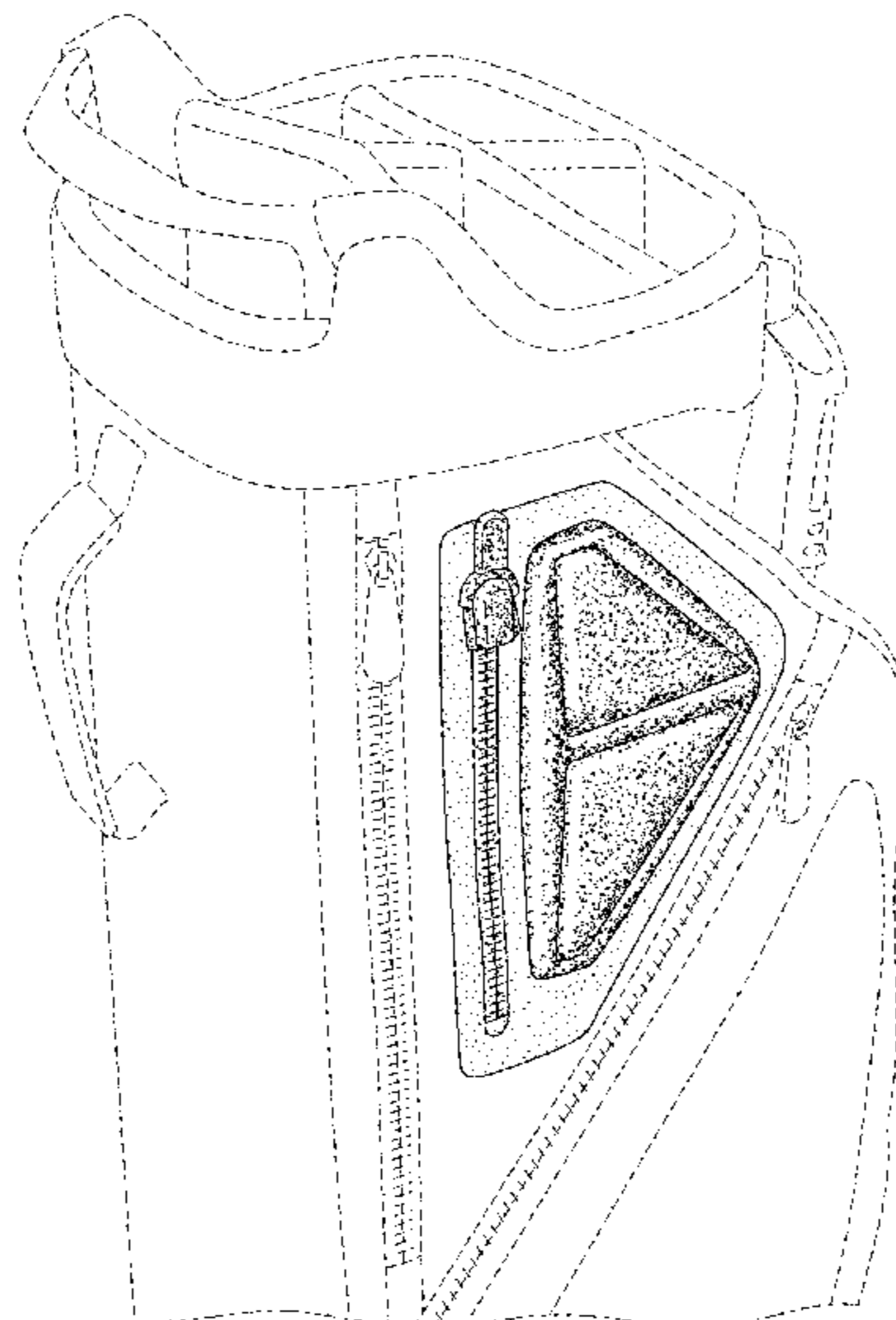
(57) **CLAIM**

The ornamental design for a golf bag side pocket, as shown and described.

DESCRIPTION

FIG. 1 is a perspective view of the golf bag side pocket of this invention;
FIG. 2 is a top planar view of the golf bag side pocket of this invention;
FIG. 3 is a side view of the golf bag side pocket of this invention;
FIG. 4 is a front view of the golf bag side pocket of this invention; and,
FIG. 5 is a rear view of the golf bag side pocket of this invention.
In FIGS. 1-5, the dash-dash broken lines depict unclaimed portions of the golf bag. The dot-dash broken lines in FIGS. 1, 3, 4, and 5 represent unclaimed breakaway lines.

1 Claim, 5 Drawing Sheets



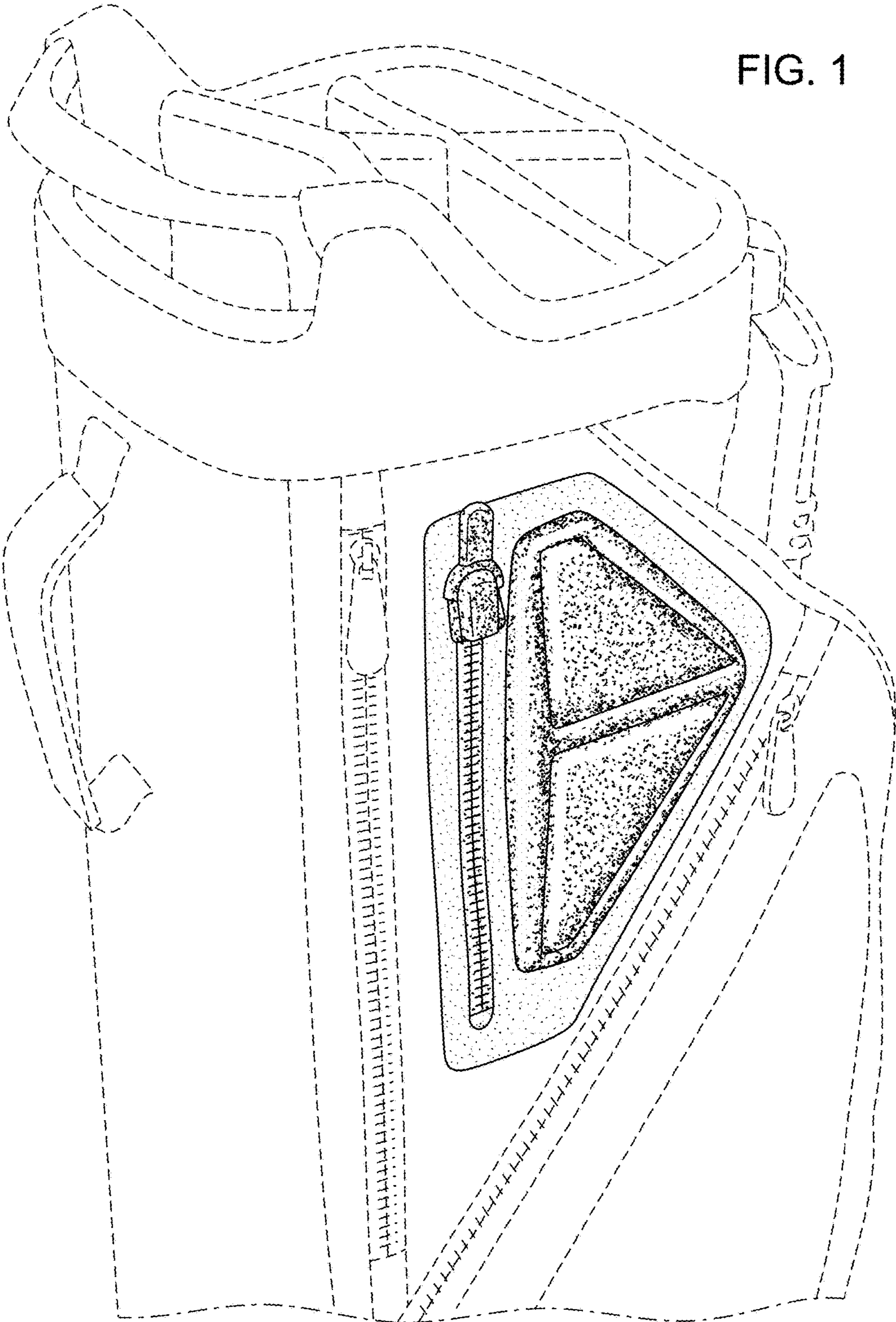
(56)

References Cited

U.S. PATENT DOCUMENTS

D718,935 S	*	12/2014	Hyzdu	D3/303
D722,431 S	*	2/2015	Sagan	D3/216
D723,280 S	*	3/2015	Sanz	D3/289
D762,067 S	*	7/2016	Langner	D3/255

* cited by examiner



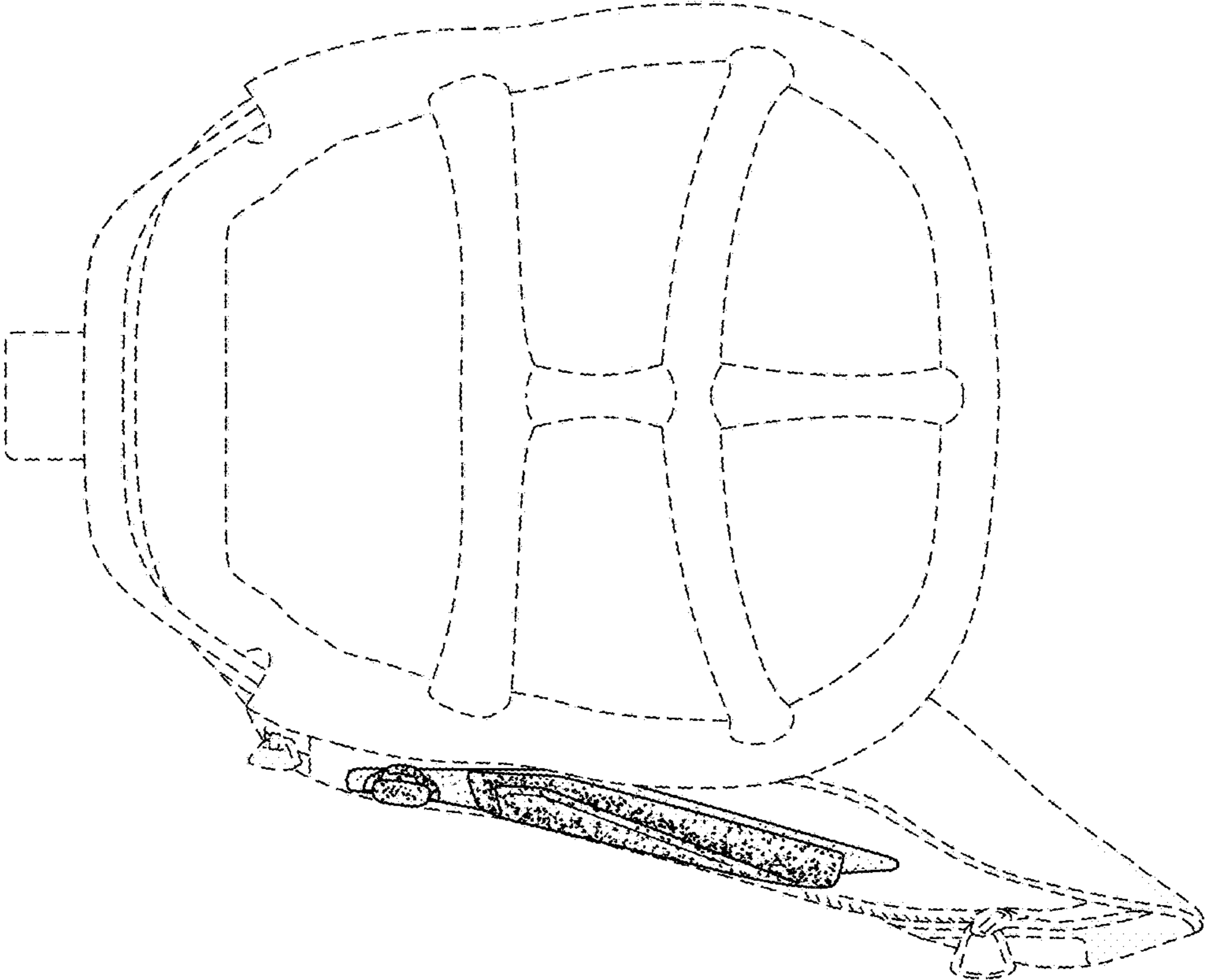


FIG. 2

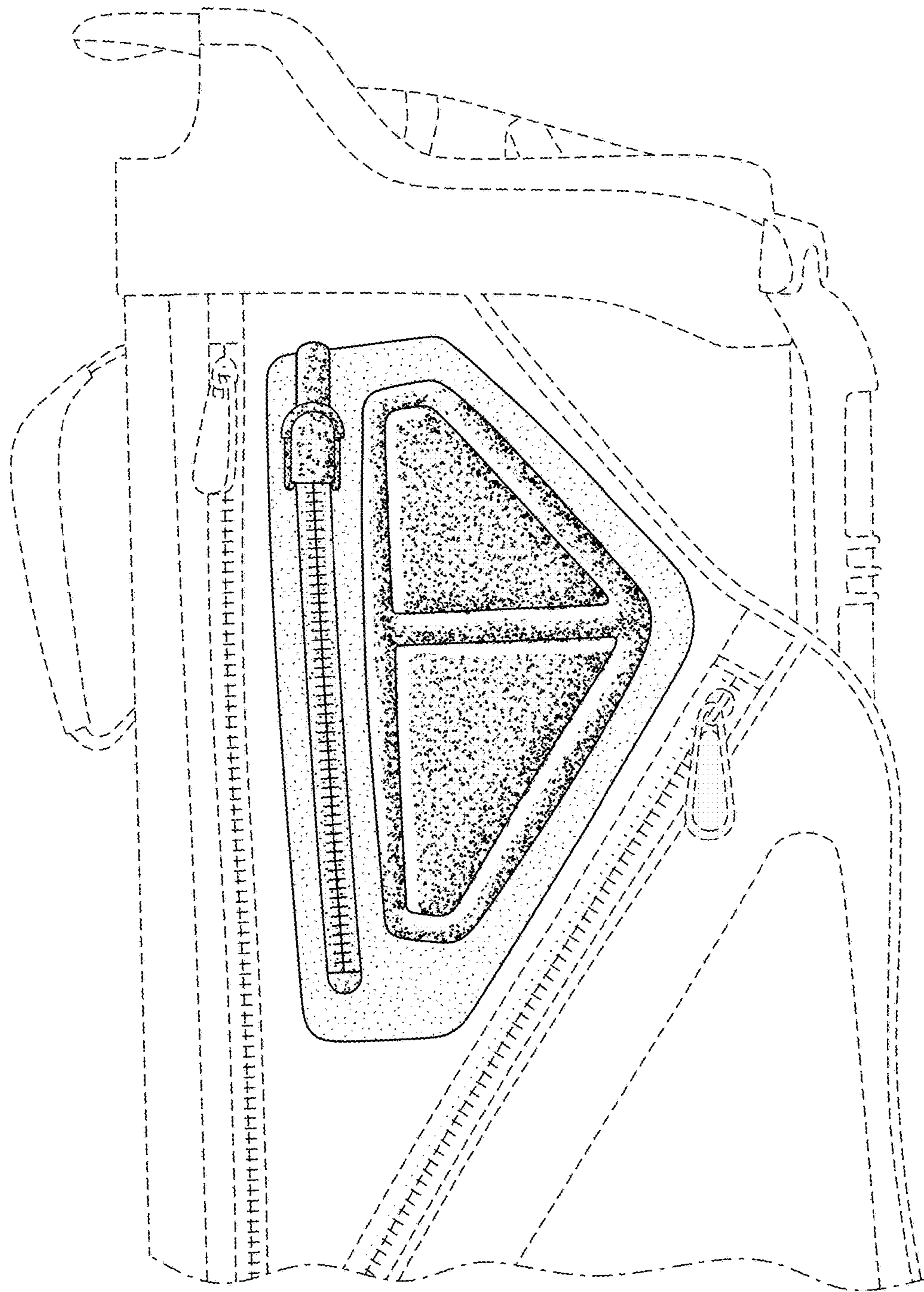


FIG. 3

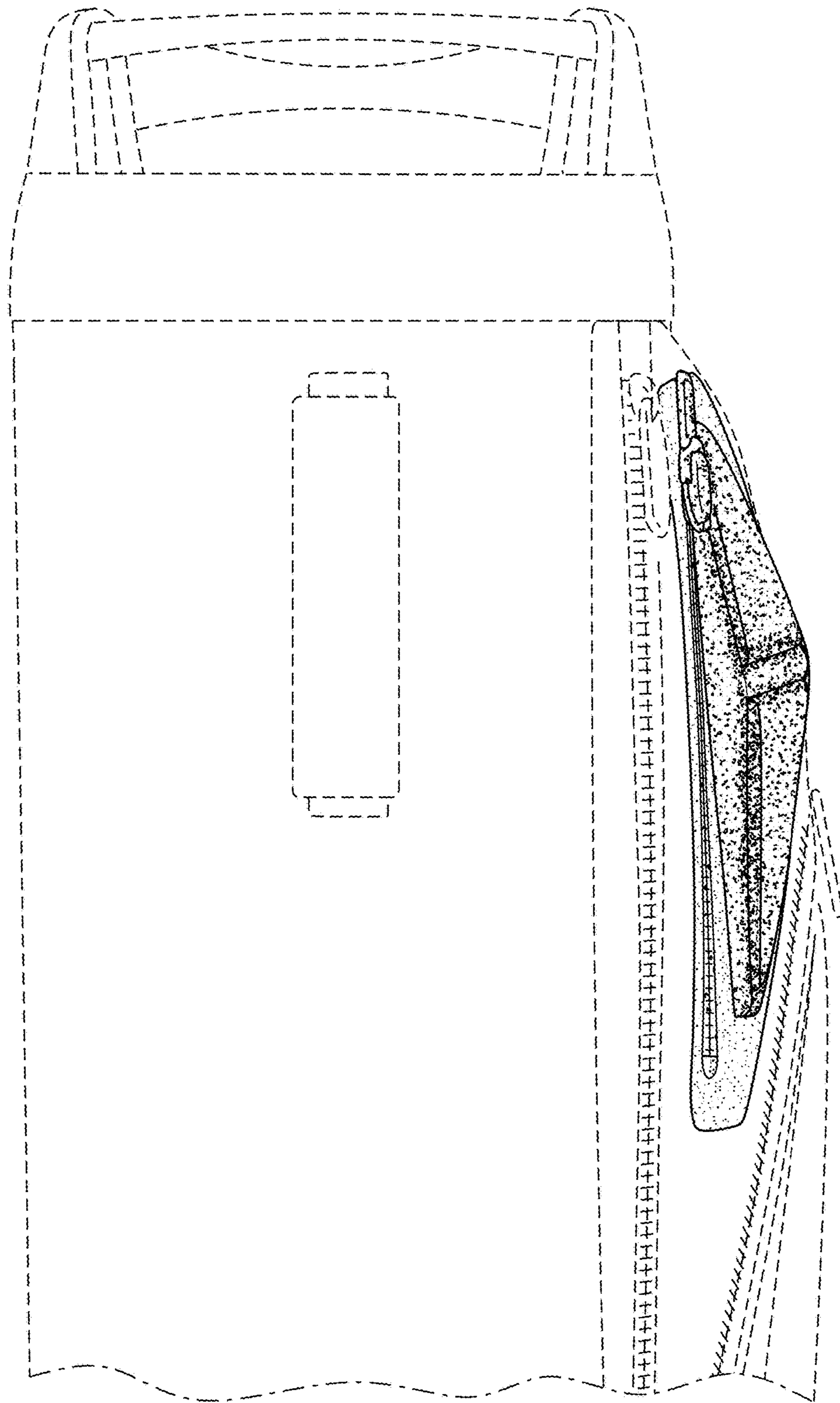


FIG. 4

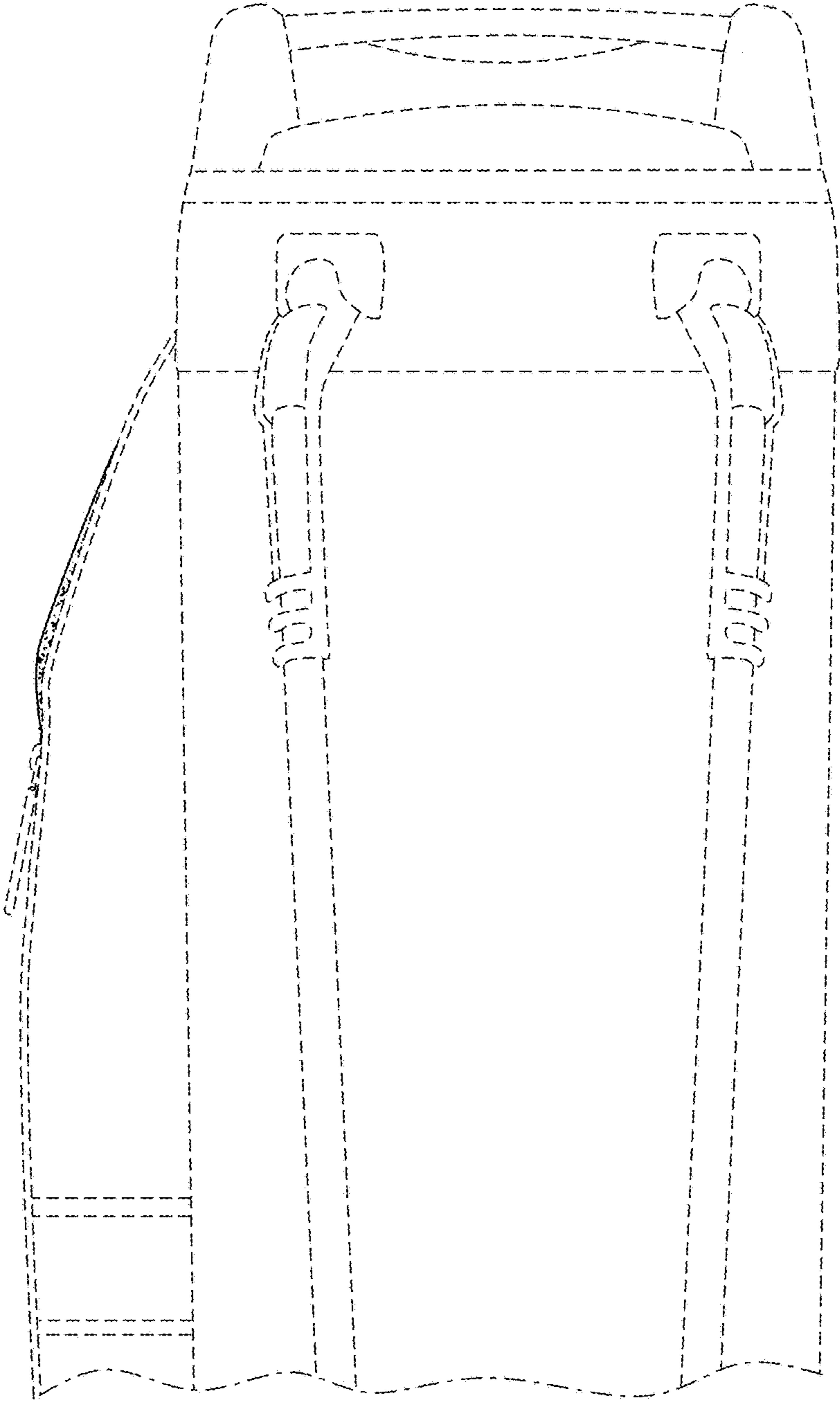


FIG. 5