



US00D801689S

(12) **United States Design Patent** (10) **Patent No.:** **US D801,689 S**  
**Shannon** (45) **Date of Patent:** **\*\* Nov. 7, 2017**

(54) <b>SUPPORT DEVICE</b>	6,648,154 B2 * 11/2003 Awalt ..... A47F 7/0071 211/126.1
(71) Applicant: <b>Eric Shannon</b> , Boulder, CO (US)	D568,533 S * 5/2008 Bagaric ..... D27/186
(72) Inventor: <b>Eric Shannon</b> , Boulder, CO (US)	D638,137 S * 5/2011 Gross ..... D24/227
(73) Assignee: <b>Health Savvy, LLC</b> , Boulder, CO (US)	7,984,806 B2 * 7/2011 Matheou ..... A47B 73/008 206/427
(**) Term: <b>14 Years</b>	D665,273 S * 8/2012 Castelletti ..... D9/758
(21) Appl. No.: <b>29/502,310</b>	D684,419 S * 6/2013 Cloutier ..... D7/354
(22) Filed: <b>Sep. 15, 2014</b>	D695,047 S * 12/2013 Awalt ..... D6/683.1
	D701,418 S * 3/2014 Tingley ..... D7/357
	D702,998 S * 4/2014 Fugere ..... D7/409
	D714,841 S * 10/2014 Jeon ..... D15/89
	8,887,931 B2 * 11/2014 Awalt ..... A47F 7/0071 211/126.1
	D736,013 S * 8/2015 Williams ..... D6/675
	2015/0282667 A9 * 10/2015 Tingley ..... A21B 3/15 220/573.4

**Related U.S. Application Data**

(63) Continuation-in-part of application No. 29/487,408, filed on Apr. 18, 2014, now abandoned.

(51) **LOC (10) Cl.** ..... **03-01**

(52) **U.S. Cl.**  
USPC ..... **D3/313**

(58) **Field of Classification Search**  
USPC ..... D3/201, 203, 304, 310, 313, 314;  
D7/553.1, 553.2, 553.3; D6/672-673,  
D6/675, 675.1, 682  
CPC ..... B65D 1/34; B65D 21/00; B65D 21/0204;  
B65D 1/36; B65D 21/0209; B65D  
2585/6897  
See application file for complete search history.

**References Cited**

**U.S. PATENT DOCUMENTS**

D274,441 S * 6/1984 Stevenson ..... D21/392
D292,661 S * 11/1987 Lacey ..... D7/553.3
D293,193 S * 12/1987 Vandervoort ..... D7/354
D370,177 S * 5/1996 Bankier ..... D7/553.3
D451,676 S * 12/2001 Dembicks ..... D3/313
D472,710 S * 4/2003 Dembicks ..... D3/313

\* cited by examiner

*Primary Examiner* — Kelley Donnelly

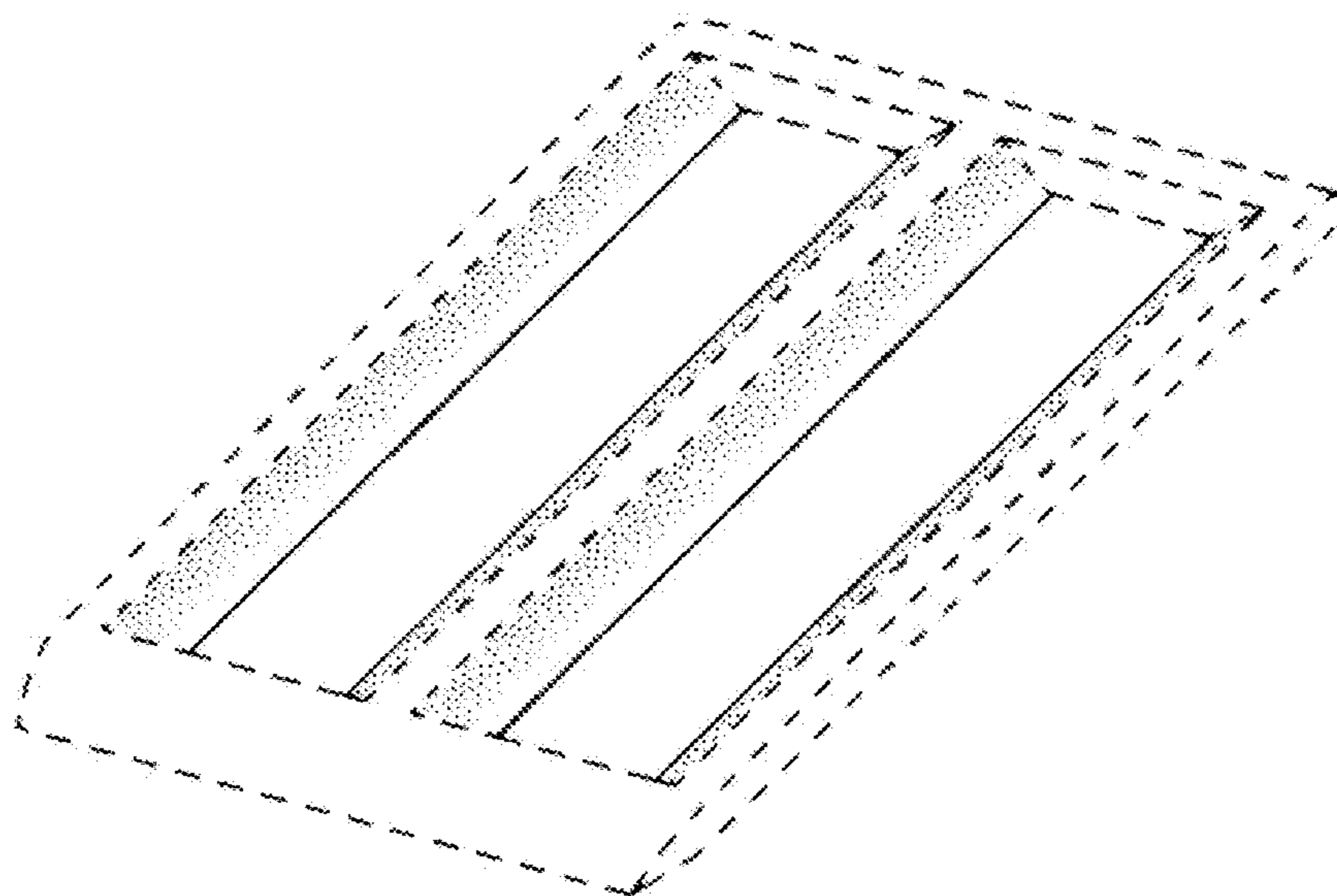
(57) **CLAIM**

I claim the ornamental design for support device, as shown and described.

**DESCRIPTION**

FIG. 1 is a top perspective view of my support device; FIG. 2 is a top plan view of FIG. 1. FIG. 3 is a bottom plan view of FIG. 1. FIG. 4 is a front elevation view of FIG. 1; and, FIG. 5 is a left side elevation view of FIG. 1, a right side elevation view being identical. The unshaded surface adjoining the solid line edge forms no part of the claimed design. The broken lines immediately adjacent the shaded areas form the bounds of the claimed design. The broken lines depict environmental subject matter only and form no part of the claimed design.

**1 Claim, 1 Drawing Sheet**



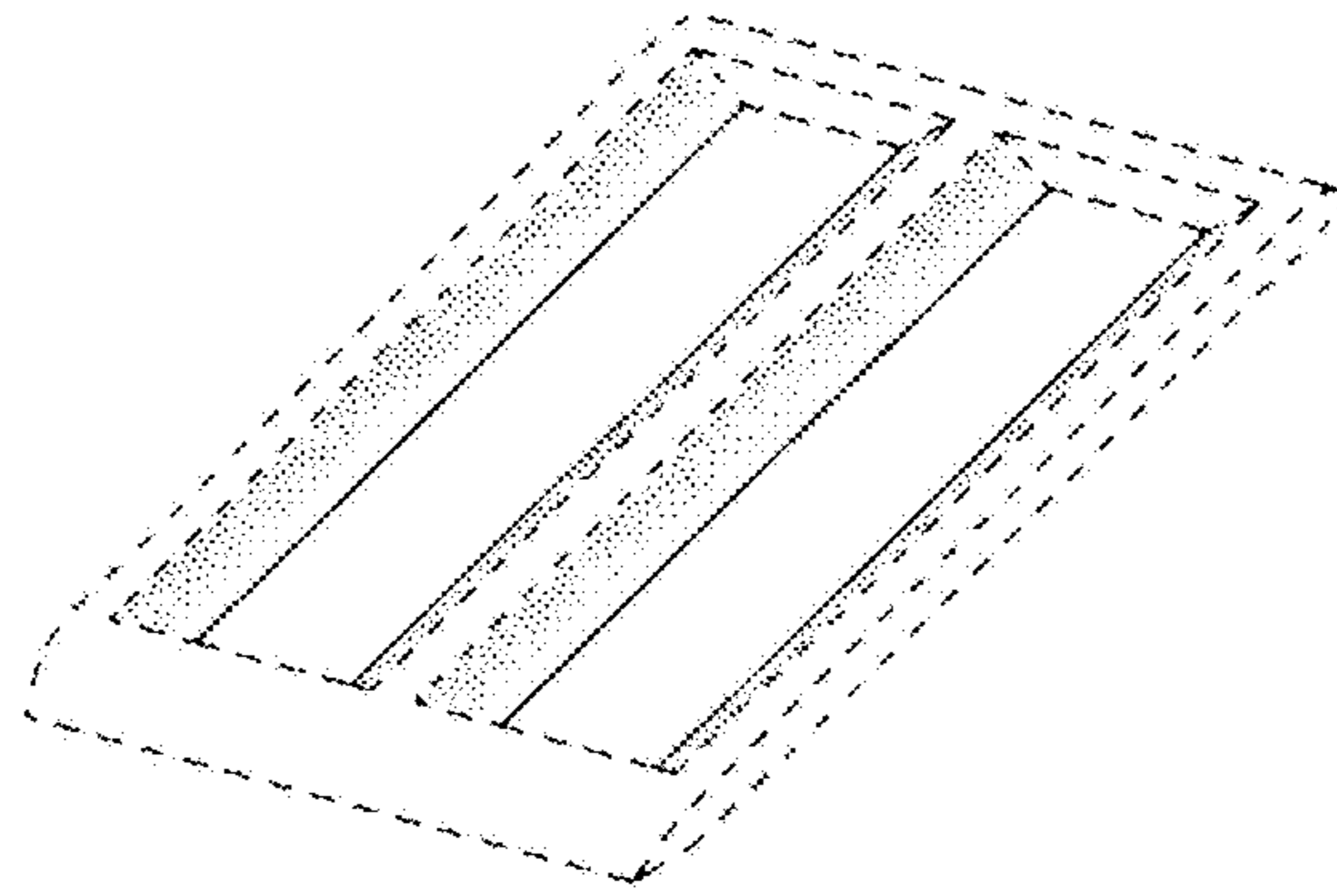


FIG. 1

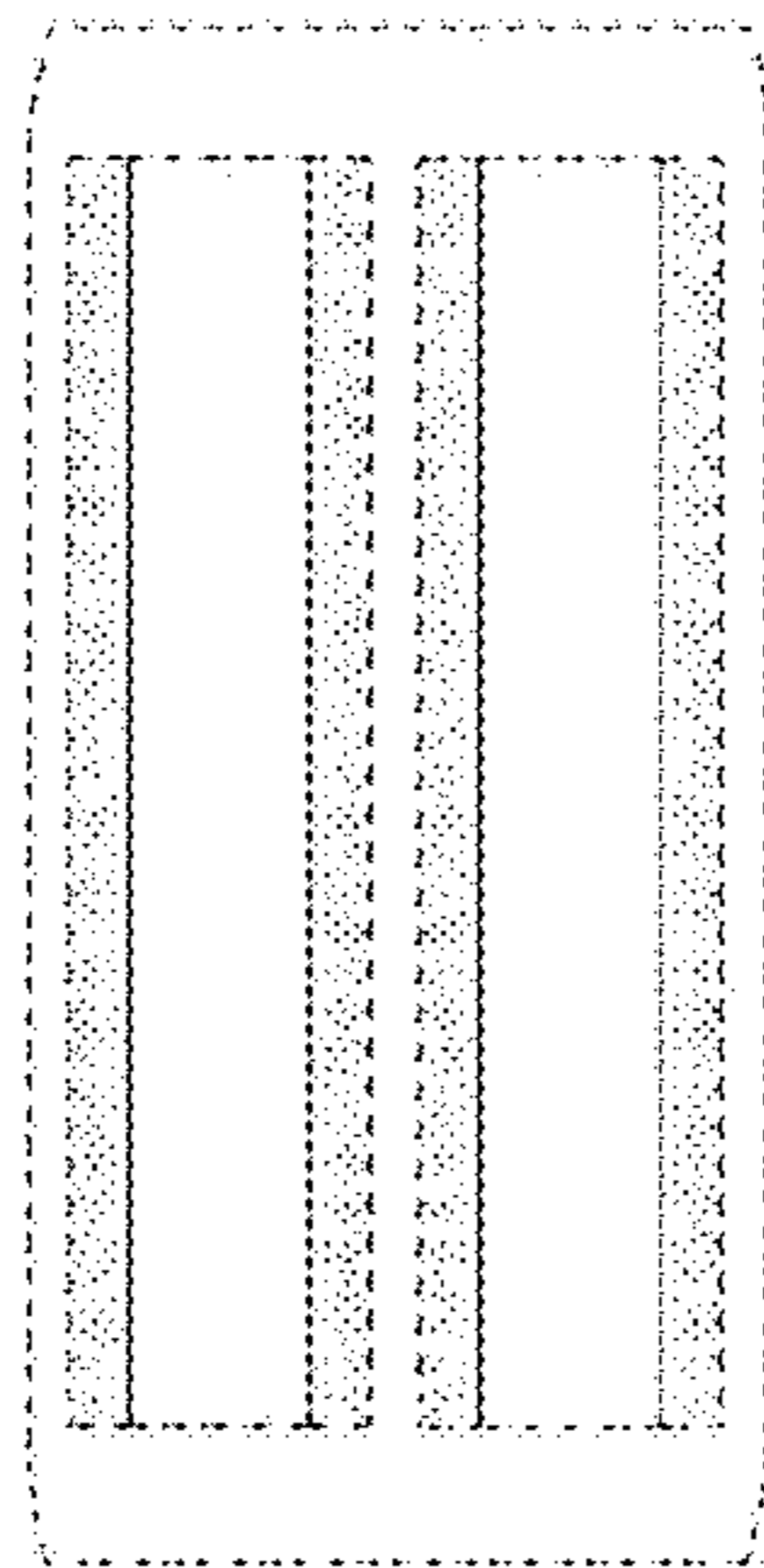


FIG. 2

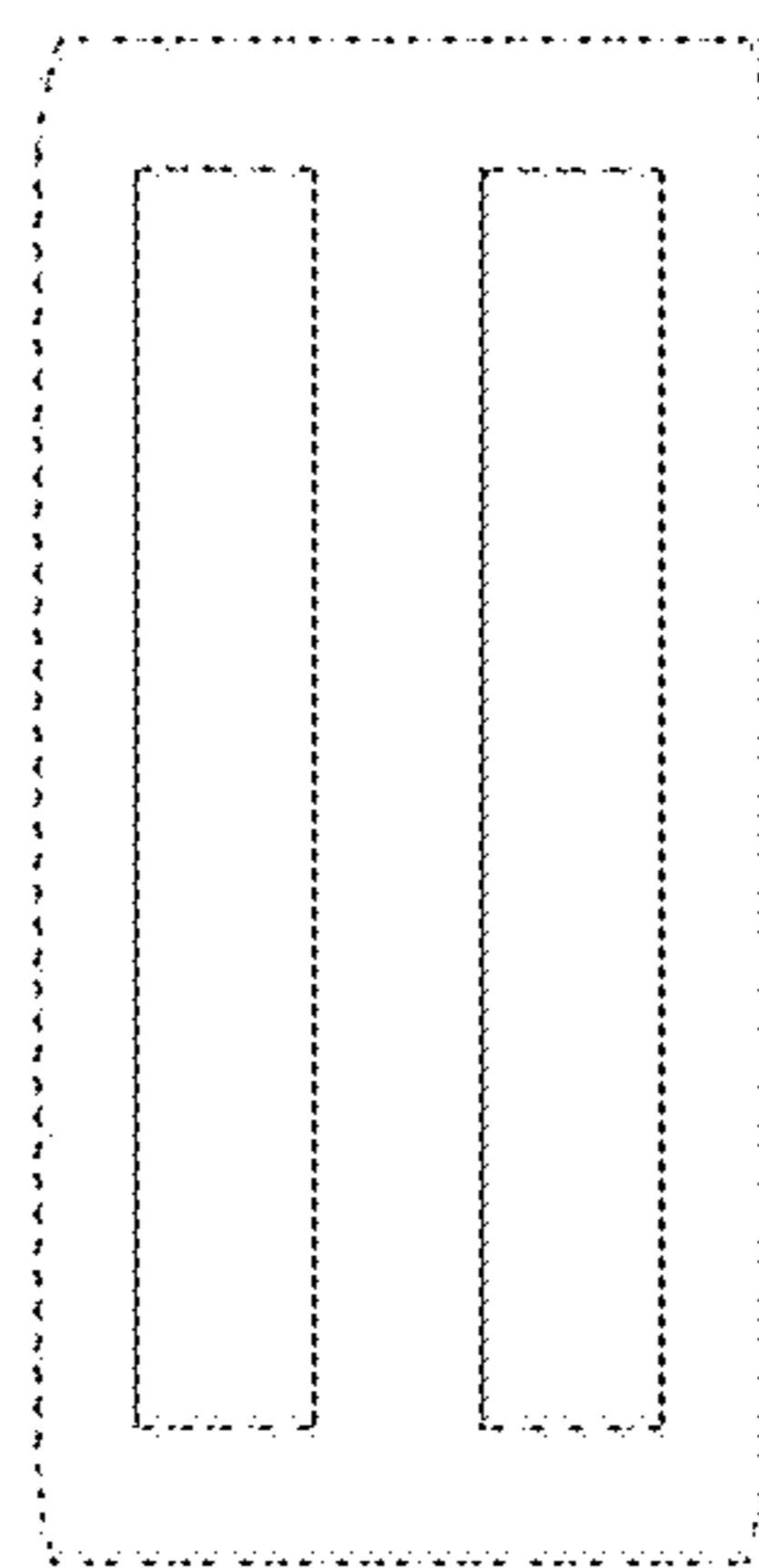


FIG. 3

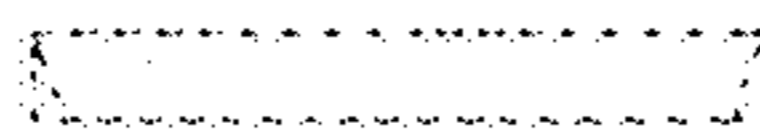


FIG. 4

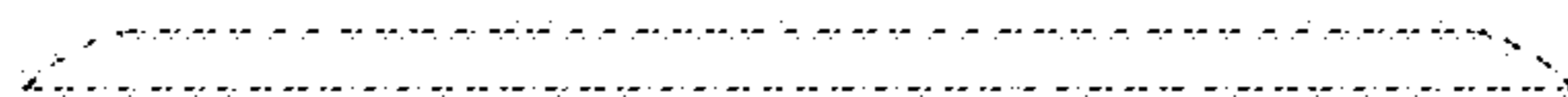


FIG. 5