



US00D801688S

(12) **United States Design Patent** (10) **Patent No.:** **US D801,688 S**  
**Holland** (45) **Date of Patent:** **\*\* Nov. 7, 2017**

(54) **CRATE**

(71) Applicant: **CleverMade, LLC**, Carlsbad, CA (US)

(72) Inventor: **Allen Keith Holland**, Oceanside, CA (US)

(73) Assignee: **Clevermade, LLC**, Carlsbad, CA (US)

(\*\*) Term: **15 Years**

(21) Appl. No.: **29/562,879**

(22) Filed: **Apr. 29, 2016**

(51) **LOC (10) Cl.** ..... **03-01**

(52) **U.S. Cl.**  
USPC ..... **D3/309**

(58) **Field of Classification Search**  
USPC ..... D6/672, 675, 675.1, 683; D3/304, 307, D3/308-309, 315, 328  
CPC ..... B65D 11/00; B65D 11/14; B65D 11/20; B65D 71/0003; B65D 1/243  
See application file for complete search history.

(56) **References Cited**

**U.S. PATENT DOCUMENTS**

D222,238 S *	10/1971	Rehrig	.....	220/485
D228,881 S *	10/1973	Stauble	.....	D3/312
D236,804 S *	9/1975	Stauble	.....	D3/312
4,022,414 A	5/1977	Egger		
D275,142 S *	8/1984	Torokvei	.....	D3/312
D291,018 S *	7/1987	Lates	.....	D3/313
D349,813 S *	8/1994	Schwartzkopf	.....	D3/304
D355,073 S *	2/1995	Junaedi	.....	D3/305
D377,269 S *	1/1997	Provot	.....	D3/304
D400,711 S *	11/1998	Hwang	.....	D3/307
D446,392 S *	8/2001	Overholt	.....	D3/304
D466,300 S *	12/2002	Walsh	.....	D34/38

(Continued)

**FOREIGN PATENT DOCUMENTS**

EP	1160169 A2	5/2001
EP	1223109 A1	7/2002

**OTHER PUBLICATIONS**

<http://global.rakuten.com>; Rakuten Global Market; Storage box lid collapsible container stacking plastic; downloaded on Apr. 21, 2016.

*Primary Examiner* — Kelley Donnelly

(74) *Attorney, Agent, or Firm* — Umberg Zipser LLP

(57) **CLAIM**

The ornamental design for a crate, as shown and described.

**DESCRIPTION**

FIG. 1 is a top, front, right side perspective view of a first embodiment of the crate of the new design.

FIG. 2 is a bottom, rear, left side perspective view of the crate of FIG. 1.

FIG. 3 is a front elevation view thereof, the rear elevation view being an identical image of the front elevation view.

FIG. 4 is a left side elevation view thereof, the right side elevation view being an identical image of the left side elevation view.

FIG. 5 is a top plan view thereof.

FIG. 6 is a bottom plan view thereof.

FIG. 7 is a top, front, right side perspective view of a second embodiment of the crate of the new design.

FIG. 8 is a bottom, rear, right side perspective view of the crate in FIG. 7.

FIG. 9 is a front elevation view thereof, the rear elevation view being an identical image of the front elevation view.

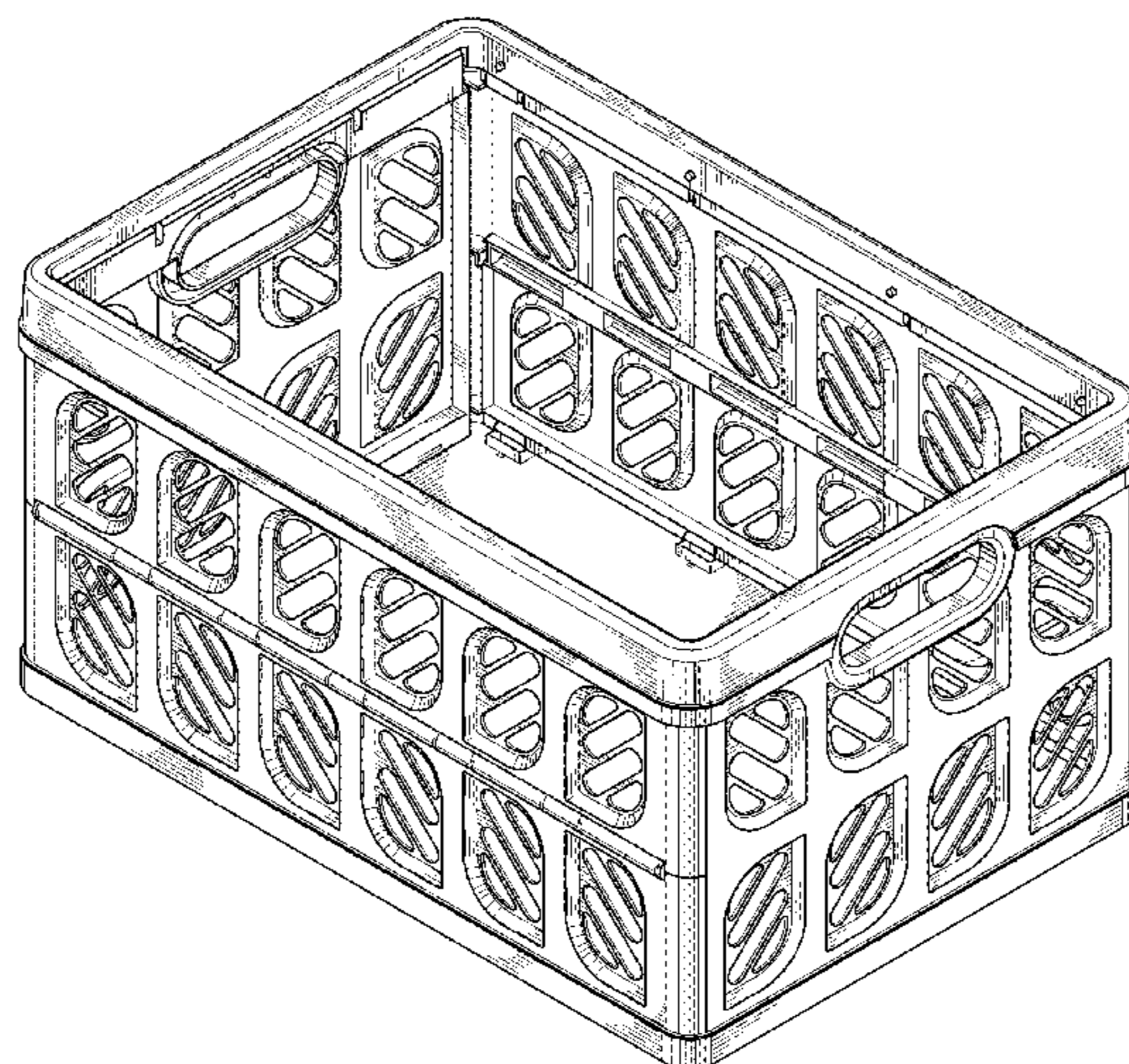
FIG. 10 is a left side elevation view thereof, the right side elevation view being an identical image of the left side elevation view.

FIG. 11 is a top plan view thereof; and,

FIG. 12 is a bottom plan view thereof.

The broken lines showing is included for the purpose of illustrating environment and forms no part of the claimed design.

**1 Claim, 12 Drawing Sheets**



(56)

**References Cited**

U.S. PATENT DOCUMENTS

D505,262 S \* 5/2005 Chinni ..... D3/309  
7,556,165 B2 7/2009 McDade  
D614,403 S \* 4/2010 Byron ..... D3/304  
2015/0375558 A1 12/2015 Ben-Or

\* cited by examiner

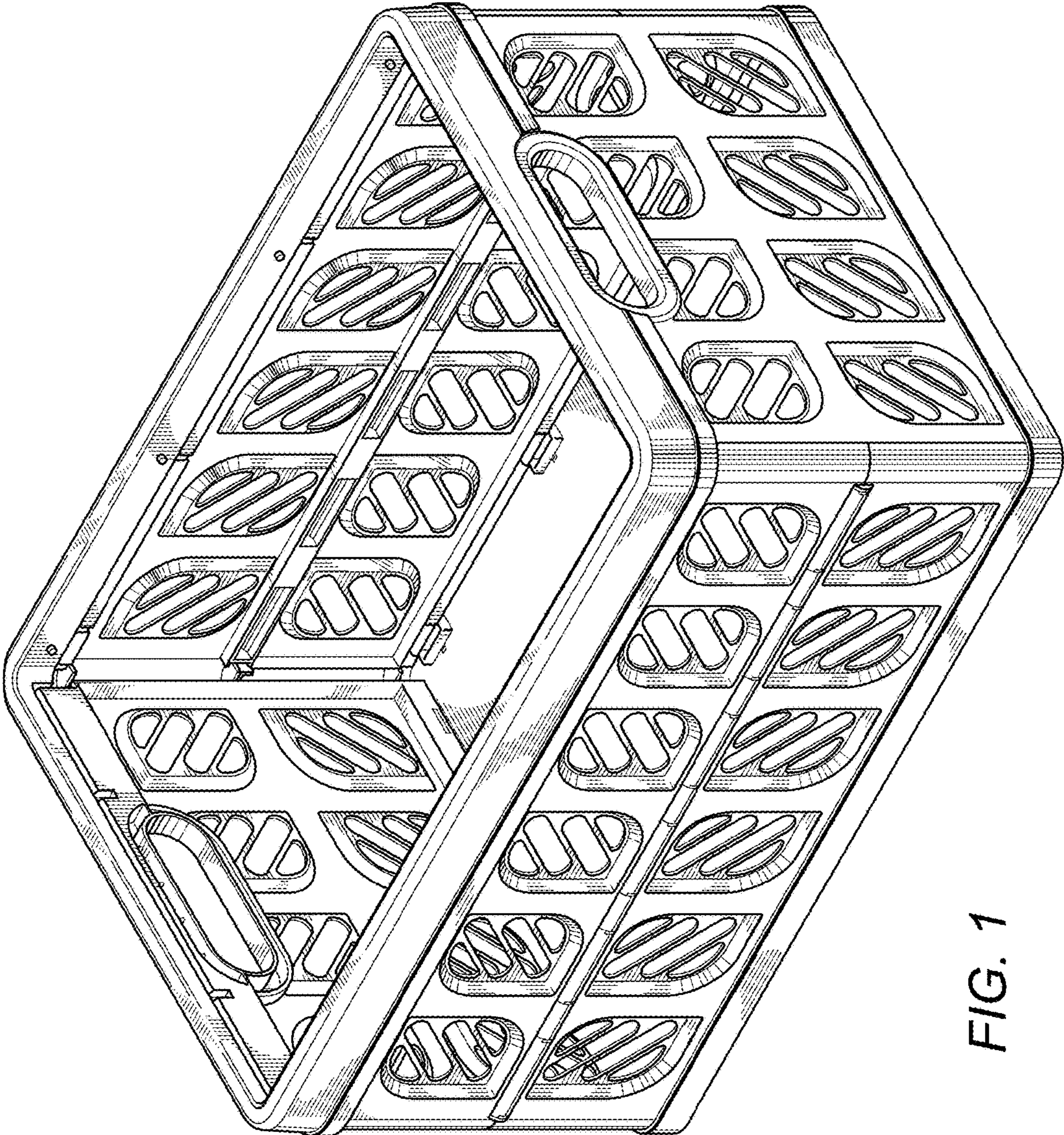


FIG. 1

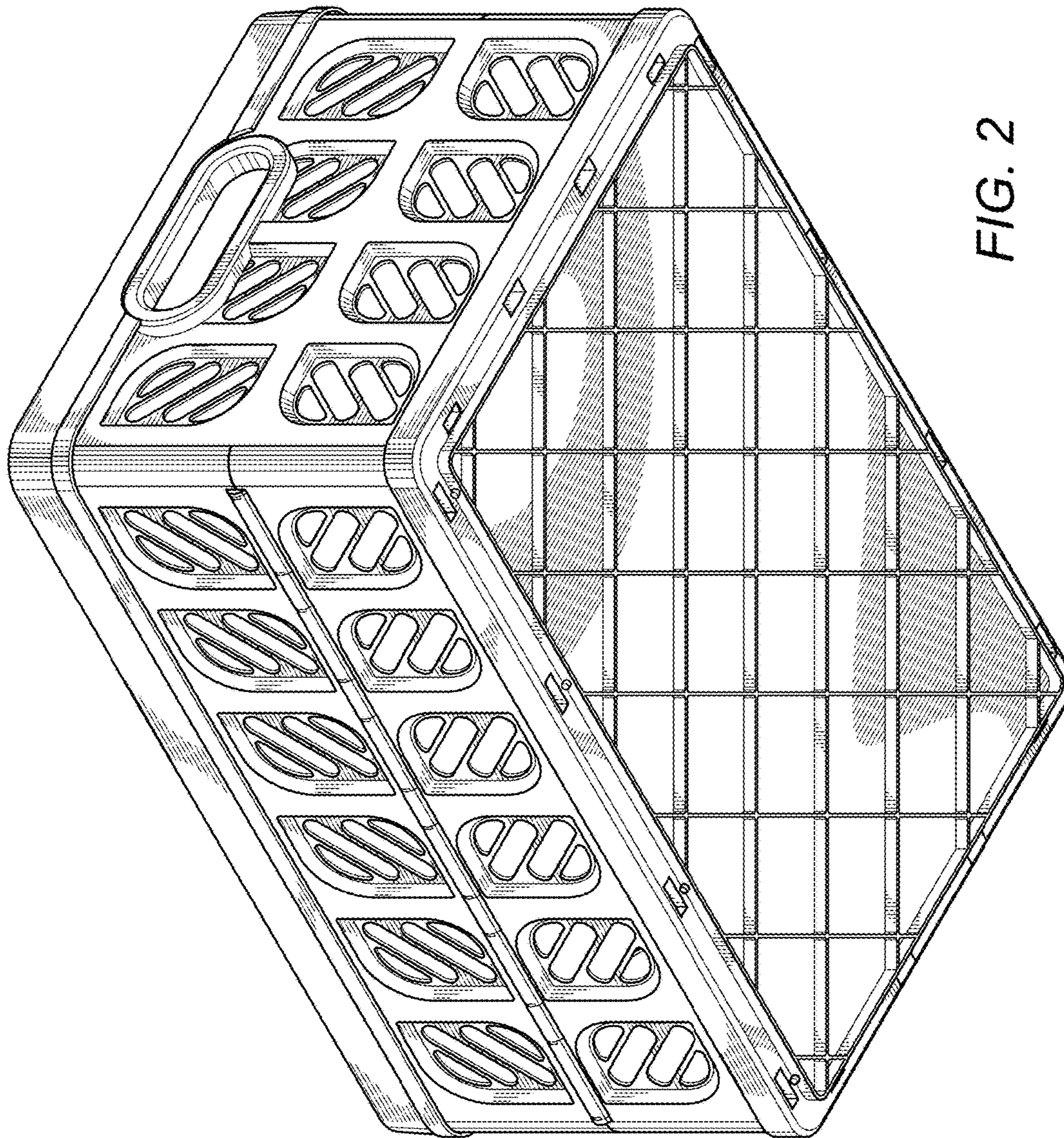


FIG. 2

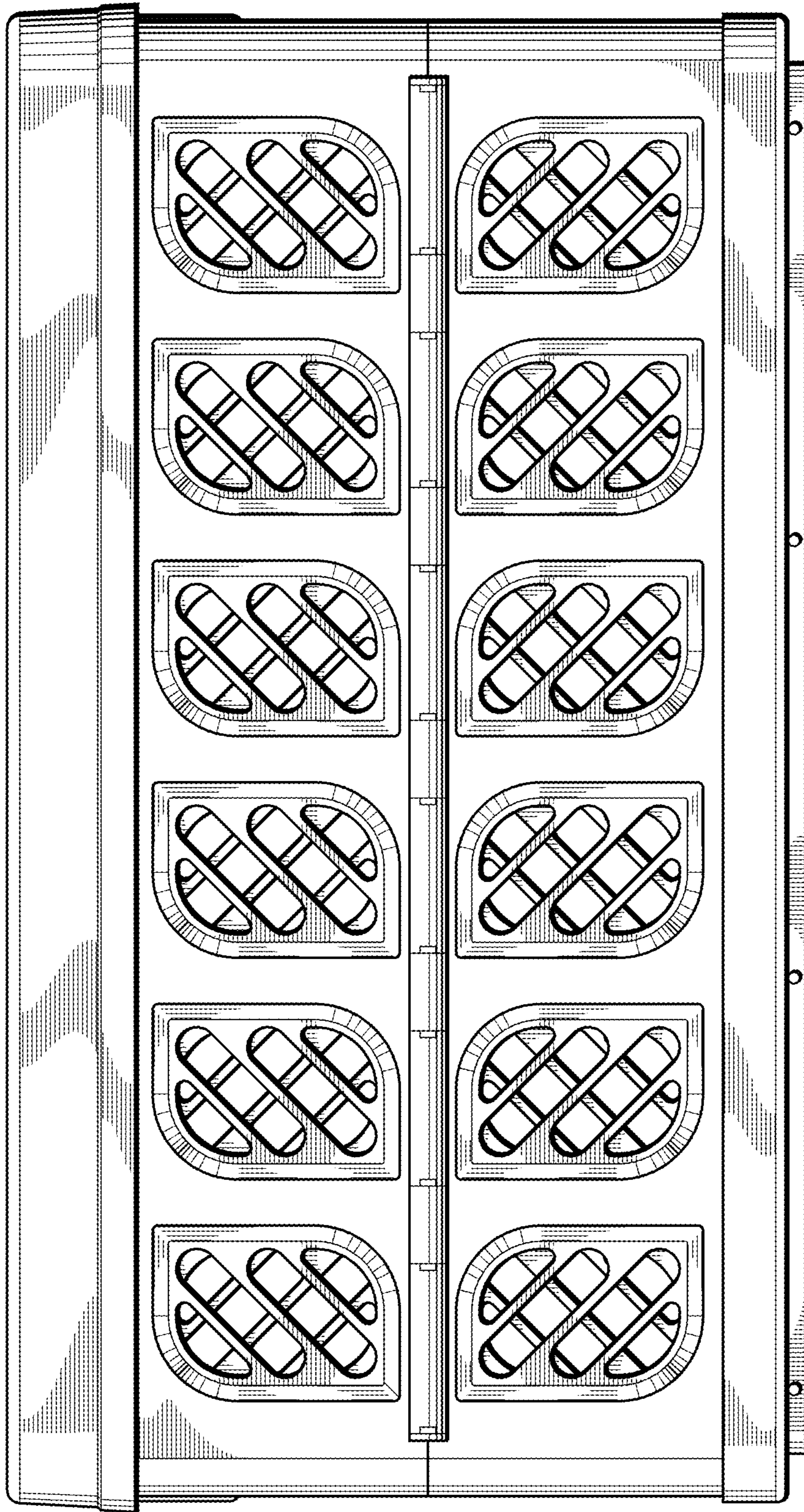


FIG. 3

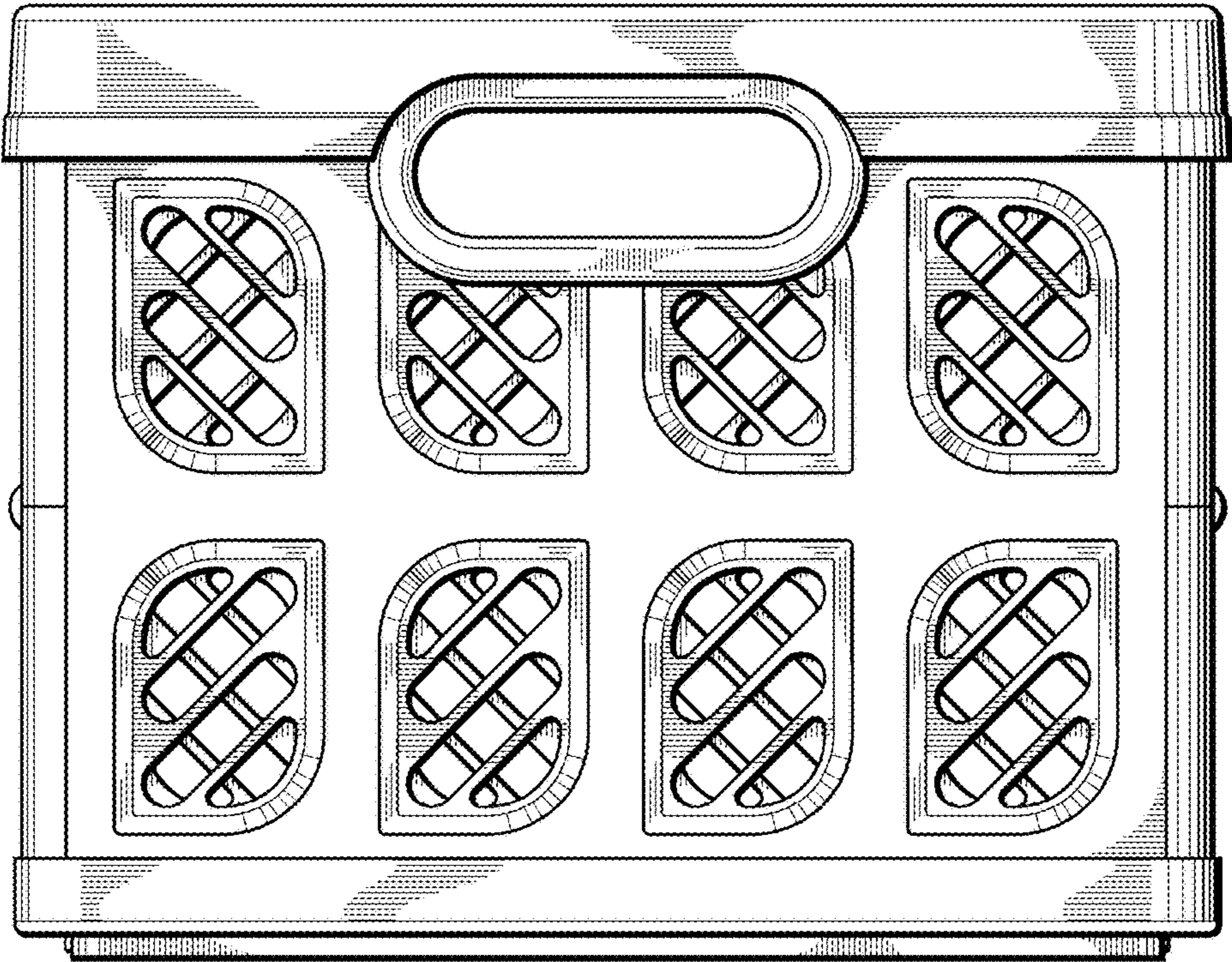


FIG. 4

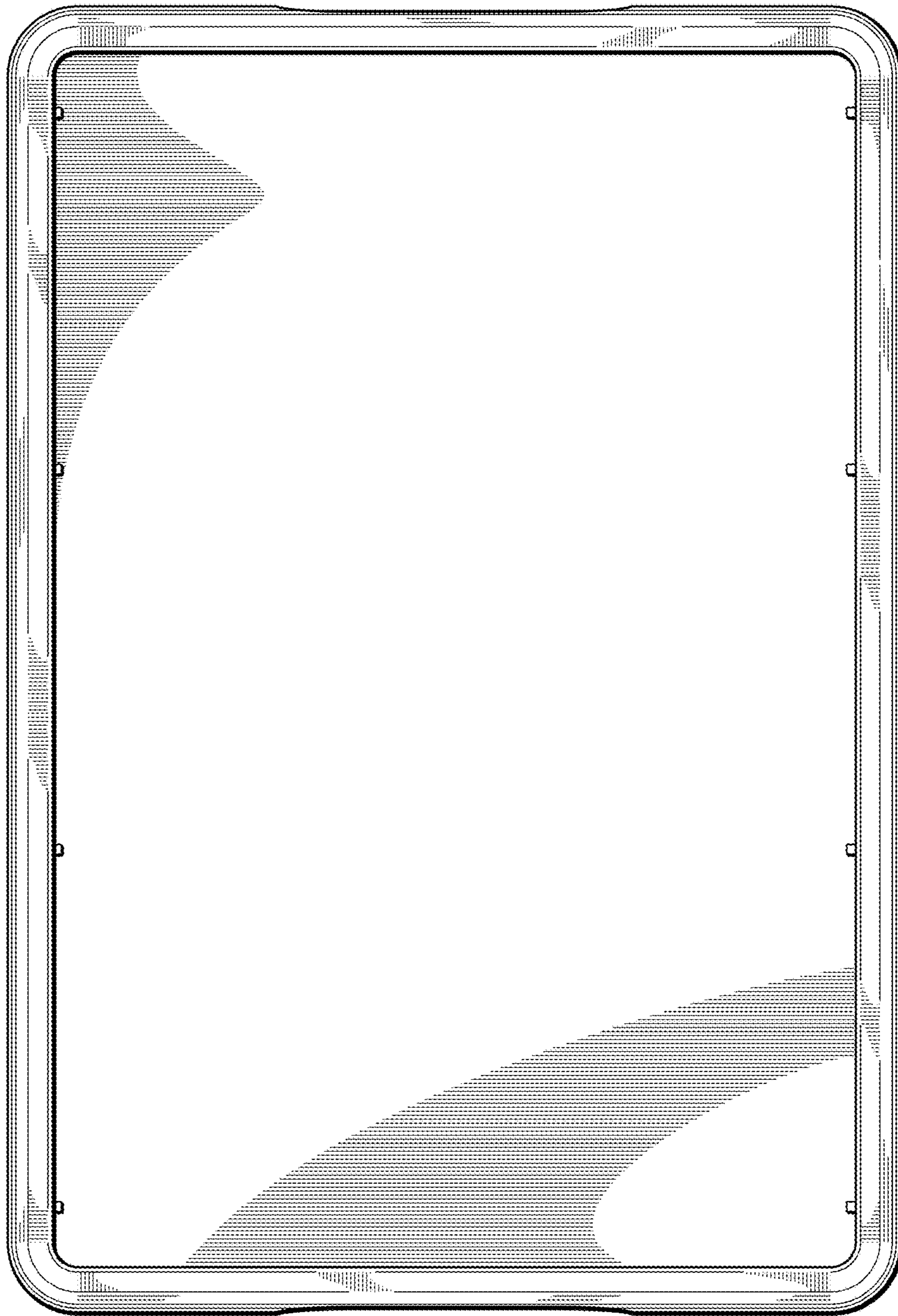
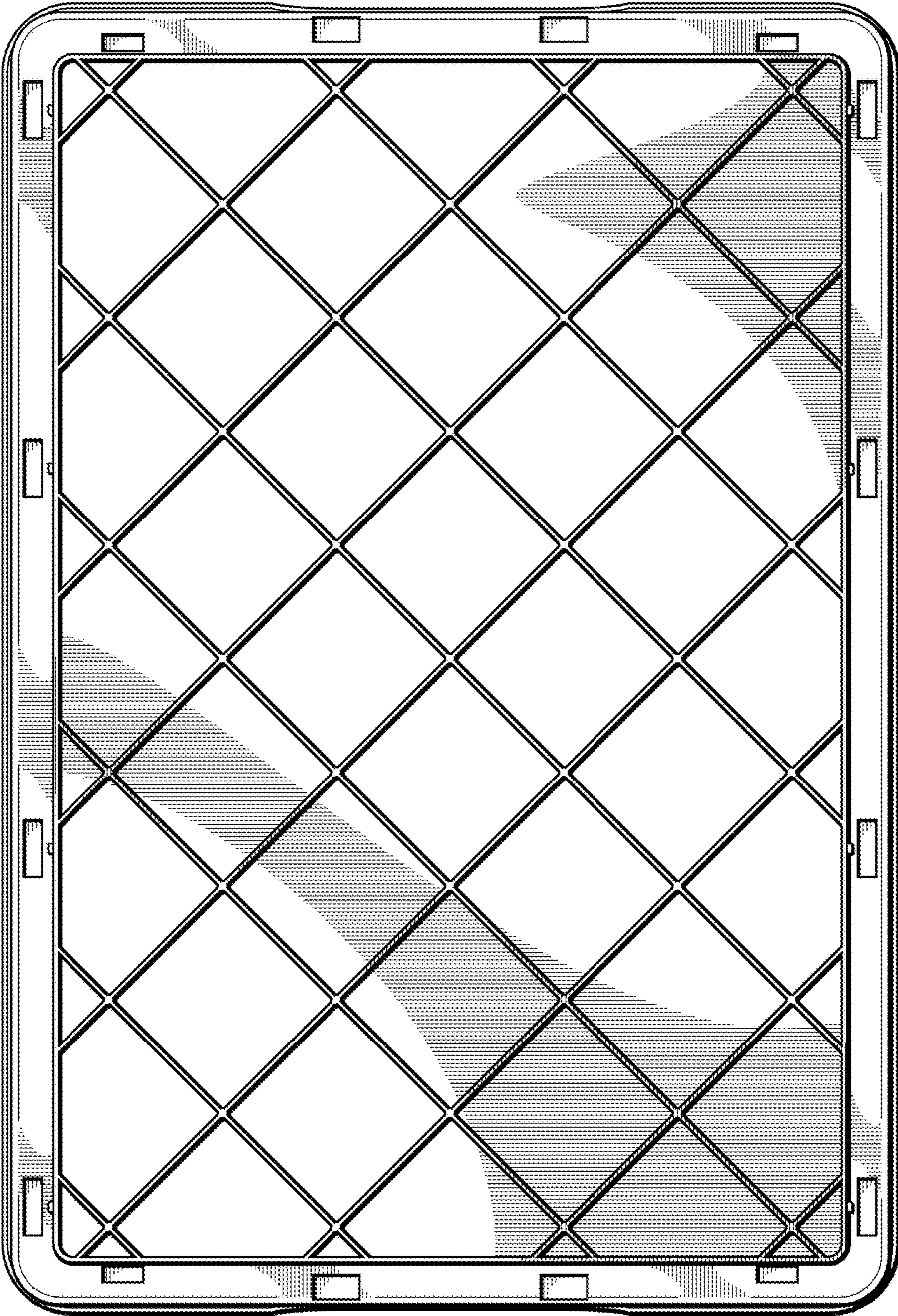


FIG. 5

FIG. 6





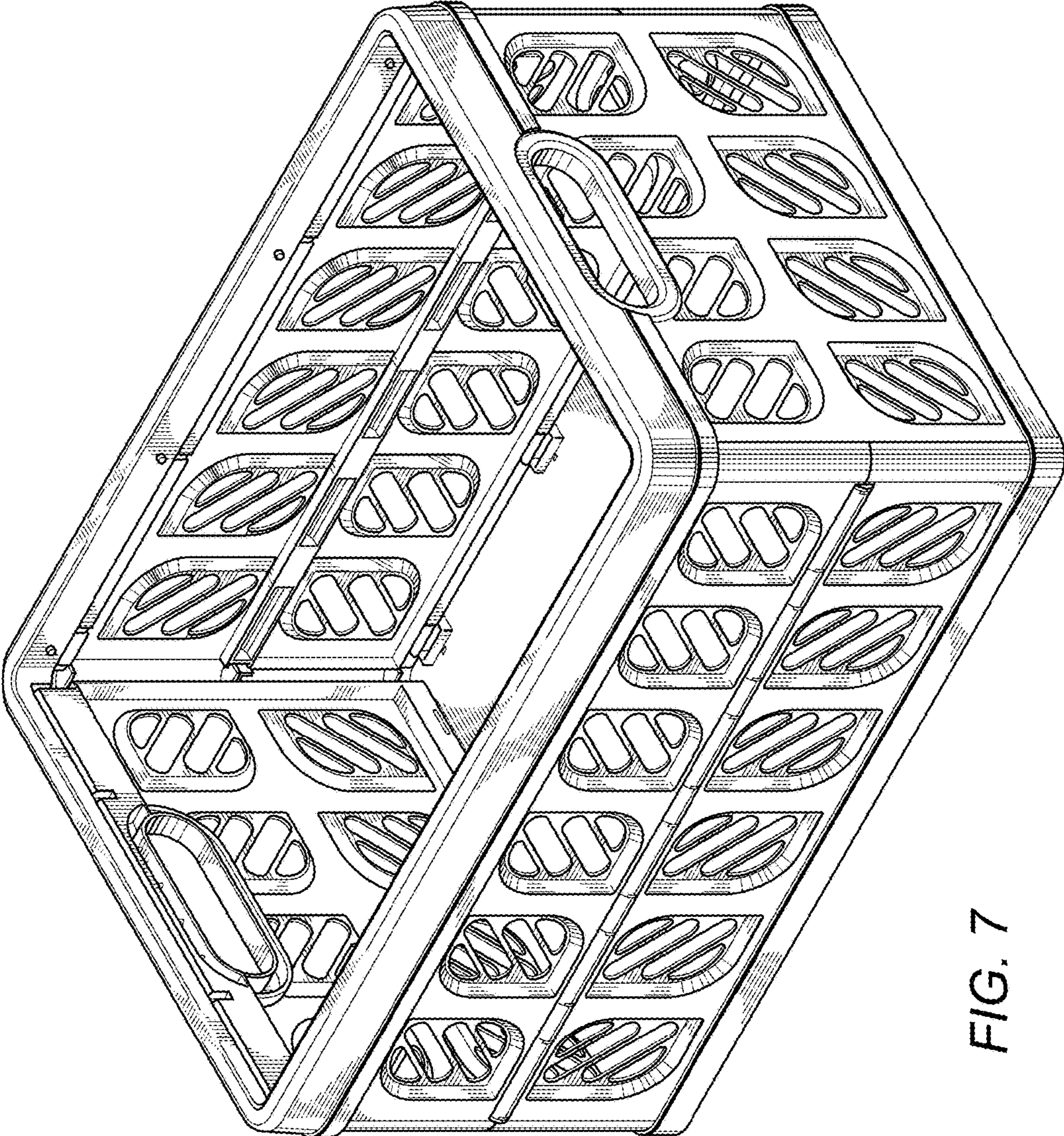


FIG. 7

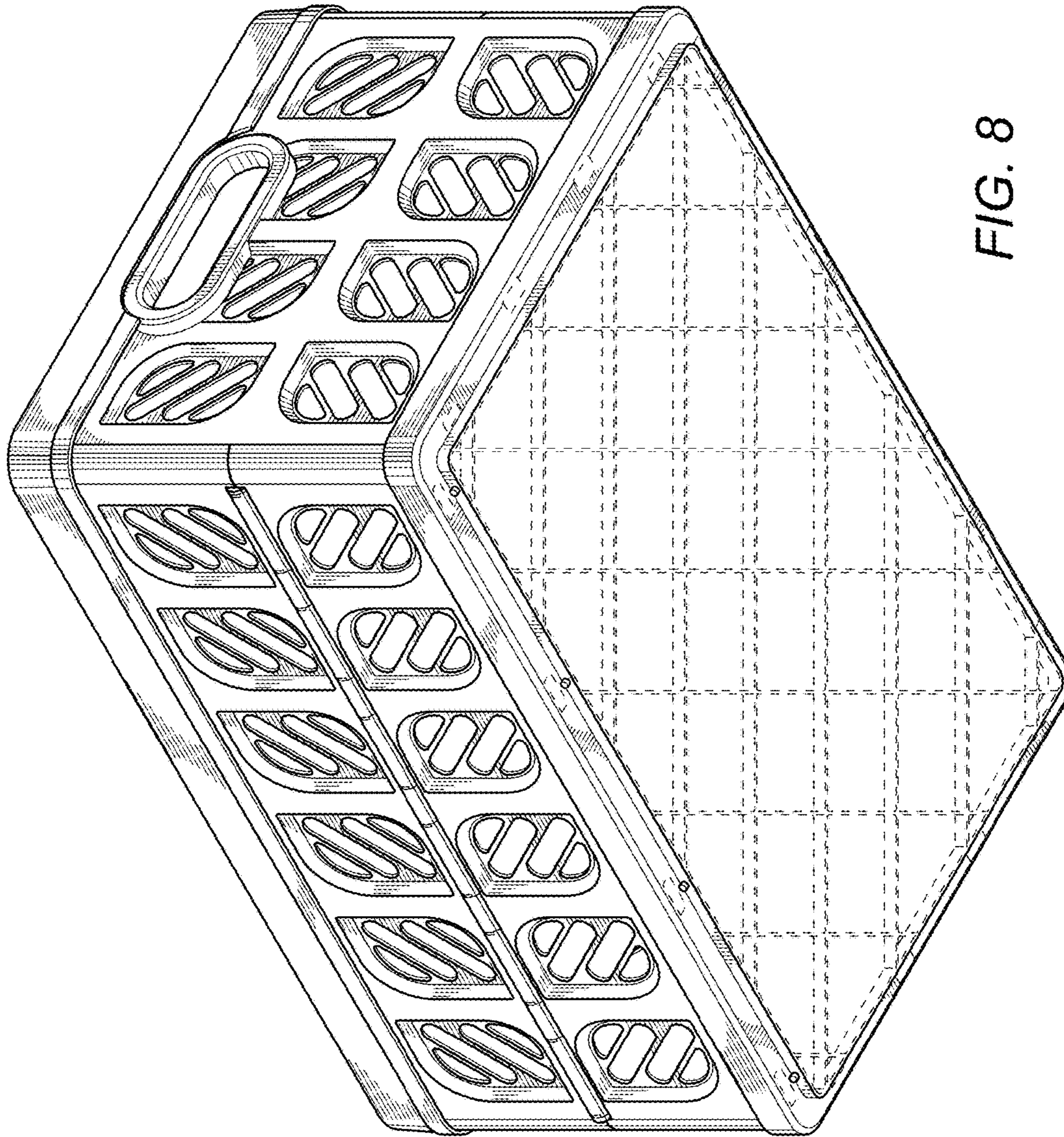


FIG. 8

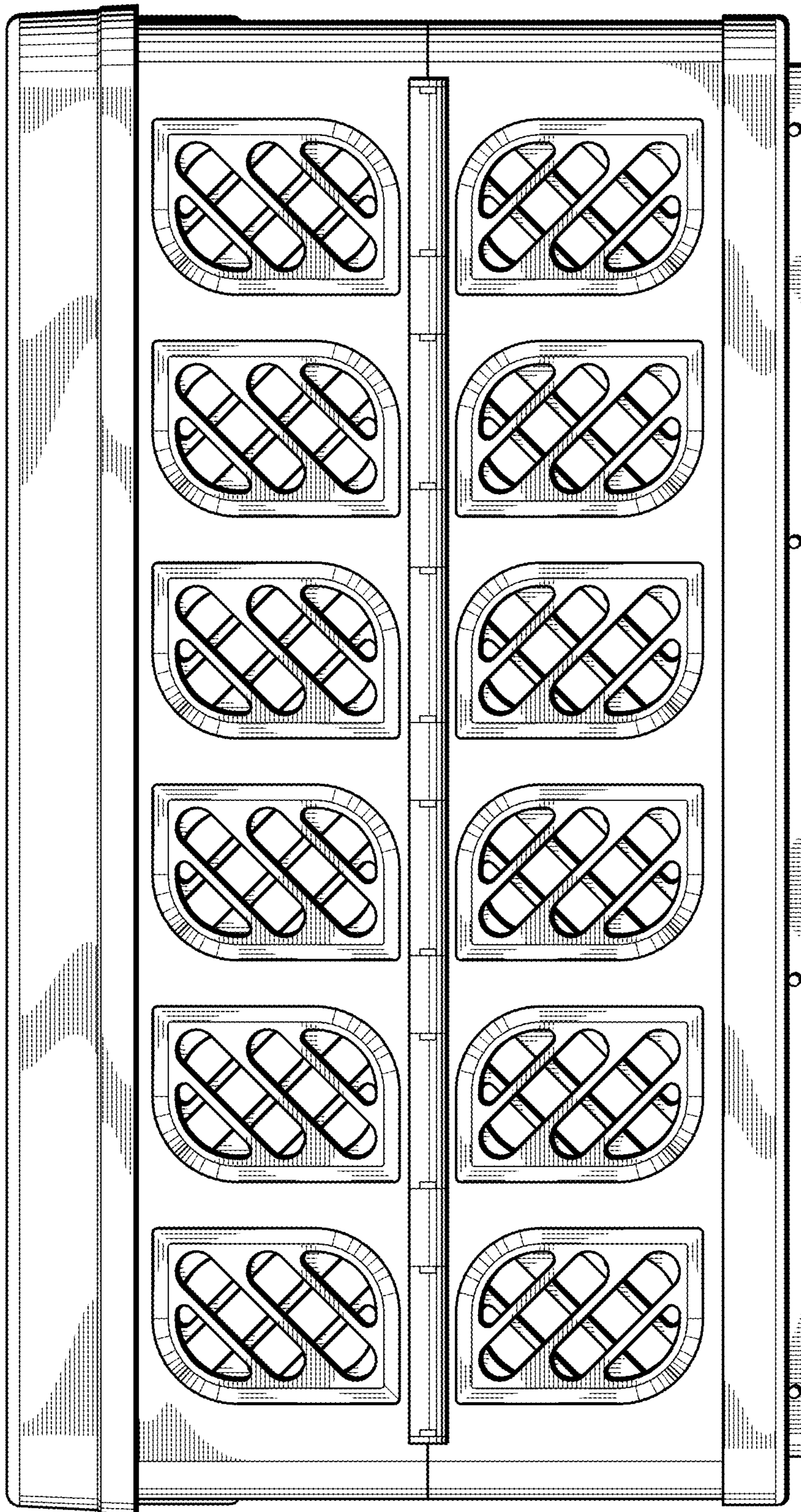


FIG. 9

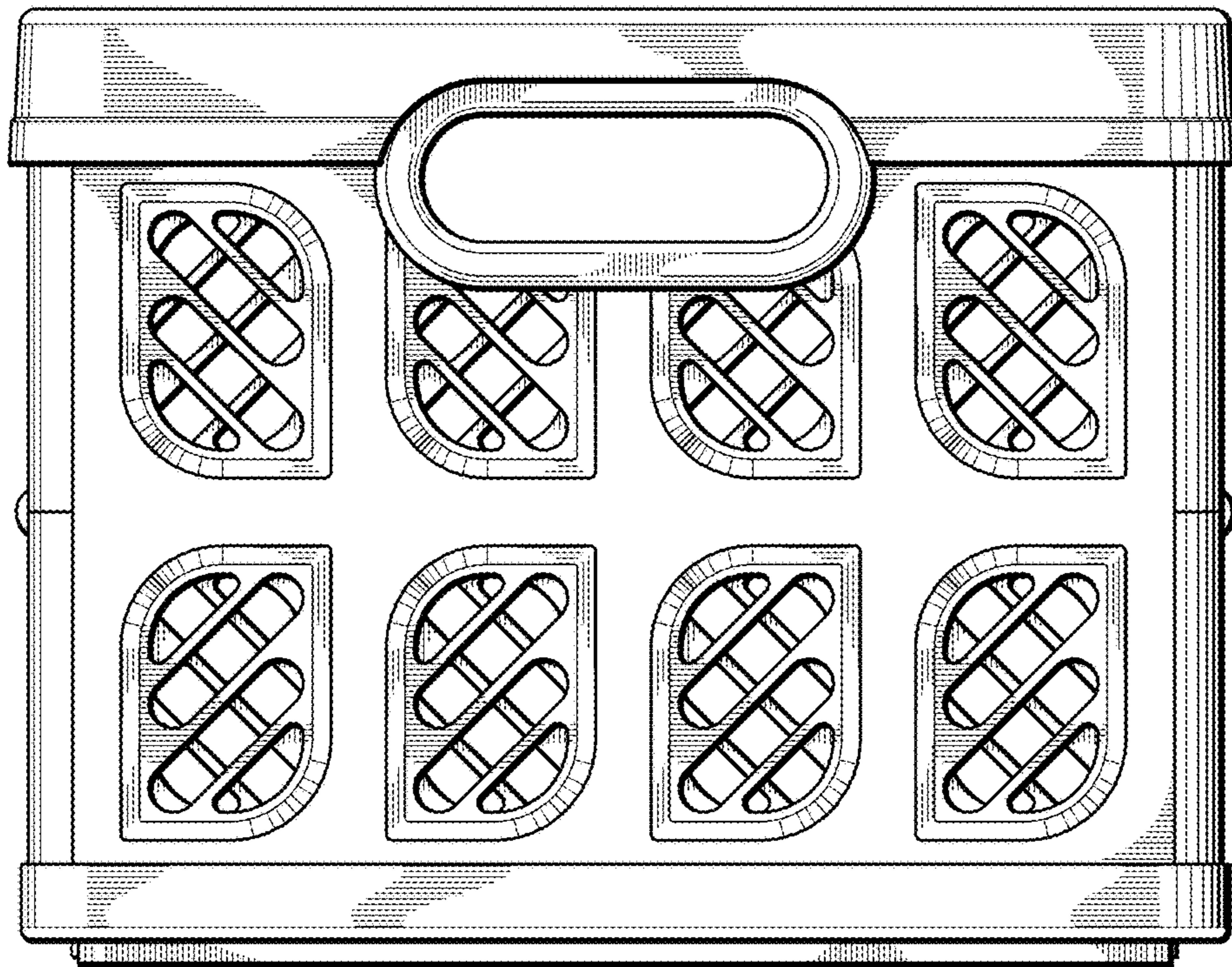
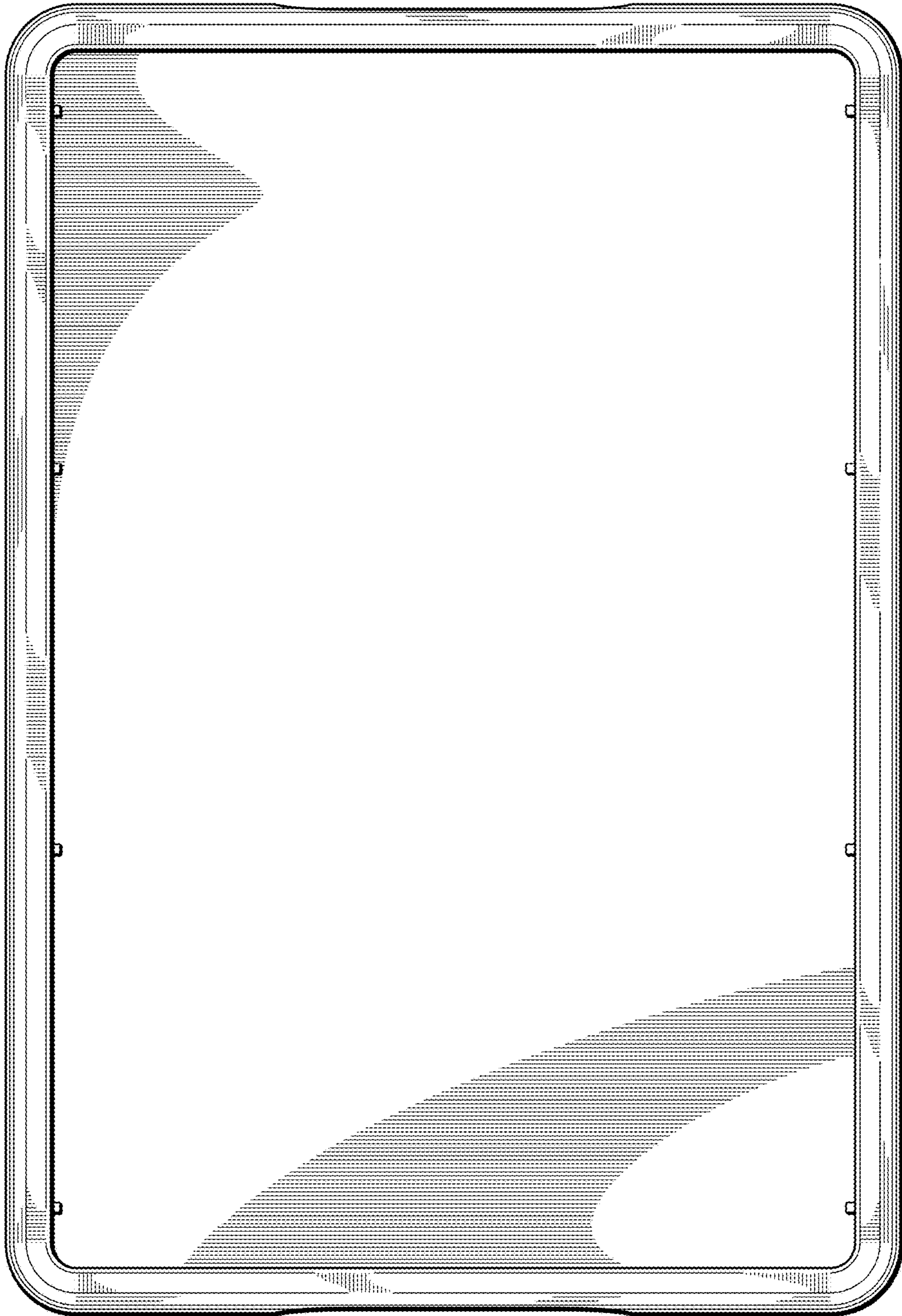


FIG. 10



*FIG. 11*

FIG. 12

