



US00D801683S

(12) **United States Design Patent** (10) **Patent No.:** **US D801,683 S**  
**Snyder et al.** (45) **Date of Patent:** **\*\* Nov. 7, 2017**

(54) **APPARATUS FOR SUPPORTING ACOUSTIC EQUIPMENT**

(71) Applicant: **WILDLIFE ACOUSTICS, INC.**,  
Maynard, MA (US)

(72) Inventors: **Sherwood Kenneth Snyder**, Ithaca,  
NY (US); **Theodore J. Wright**, Acton,  
MA (US); **Thomas A. Hagerty**,  
Somerville, MA (US); **Ivan Mark  
Lazich**, Lynnfield, MA (US)

(73) Assignee: **WILDLIFE ACOUSTICS, INC.**,  
Maynard, MA (US)

(\*\*) Term: **15 Years**

(21) Appl. No.: **29/538,881**

(22) Filed: **Sep. 9, 2015**

(51) **LOC (10) Cl.** ..... **03-01**

(52) **U.S. Cl.**  
USPC ..... **D3/272; D3/283**

(58) **Field of Classification Search**  
USPC ..... D3/272-273, 280, 283-284, 276, 291,  
D3/294-295; 446/484; 381/56, 124;  
360/5; 369/19; D14/188-189;  
340/309.8, 309.9, 573.2  
CPC ..... A01M 31/00; A01M 31/004; A45C 5/00;  
A45C 5/04; A45C 11/00; A45C 11/16;  
B26B 1/18; B62B 1/18; G11B 33/025;  
G11B 33/06; H04R 27/00  
See application file for complete search history.

(56) **References Cited**

U.S. PATENT DOCUMENTS

3,443,671 A 5/1969 Herbert  
5,239,587 A 8/1993 Muckelrath  
5,358,082 A 10/1994 Armstrong, IV  
D353,265 S \* 12/1994 Newby, Sr. .... D3/269

5,572,592 A \* 11/1996 Muckelrath ..... H04R 27/00  
381/124  
D441,954 S \* 5/2001 Parker ..... D3/273  
D472,384 S \* 4/2003 Richardson ..... D3/273  
D516,309 S \* 3/2006 Richardson ..... D3/273  
D690,510 S \* 10/2013 Fux ..... B62B 1/18  
D3/270  
D710,611 S \* 8/2014 To ..... D3/294  
D779,203 S \* 2/2017 Kinskey ..... D3/294  
2005/0075045 A1 4/2005 Williamson  
2009/0071780 A1 3/2009 Sijmons et al.  
2012/0067914 A1 3/2012 Sadler et al.

\* cited by examiner

*Primary Examiner* — Catherine R Oliver-Garcia  
(74) *Attorney, Agent, or Firm* — Lando & Anastasi, LLP

(57) **CLAIM**

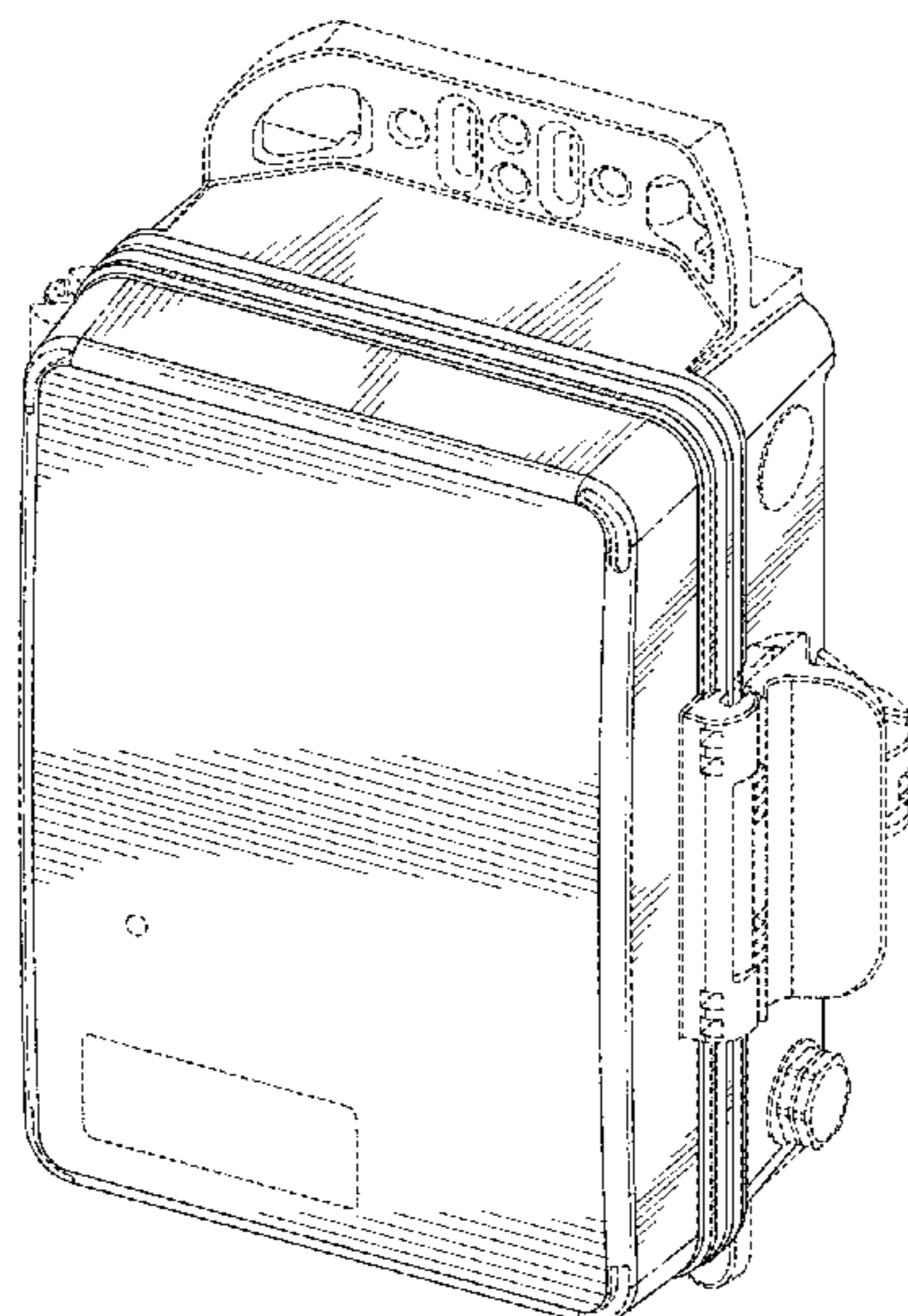
The ornamental design for an apparatus for supporting acoustic equipment, as shown and described.

**DESCRIPTION**

FIG. 1 is a perspective view of an apparatus for supporting acoustic equipment showing the new design; FIG. 2 is a front elevational view thereof; FIG. 3 is a rear elevational view thereof; FIG. 4 is a left side elevational view thereof; FIG. 5 is a right side elevational view thereof; FIG. 6 is a top plan view thereof; FIG. 7 is a bottom plan view thereof; FIG. 8 is a perspective view of the apparatus for supporting acoustic equipment showing a front cover in an open position; and, FIG. 9 is a perspective view of the apparatus for supporting acoustic equipment showing the front cover and a middle cover in open positions.

The broken lines showing portions of the apparatus for supporting acoustic equipment shown in FIGS. 1-9 are for illustrative purposes only and form no part of the claimed design.

**1 Claim, 8 Drawing Sheets**



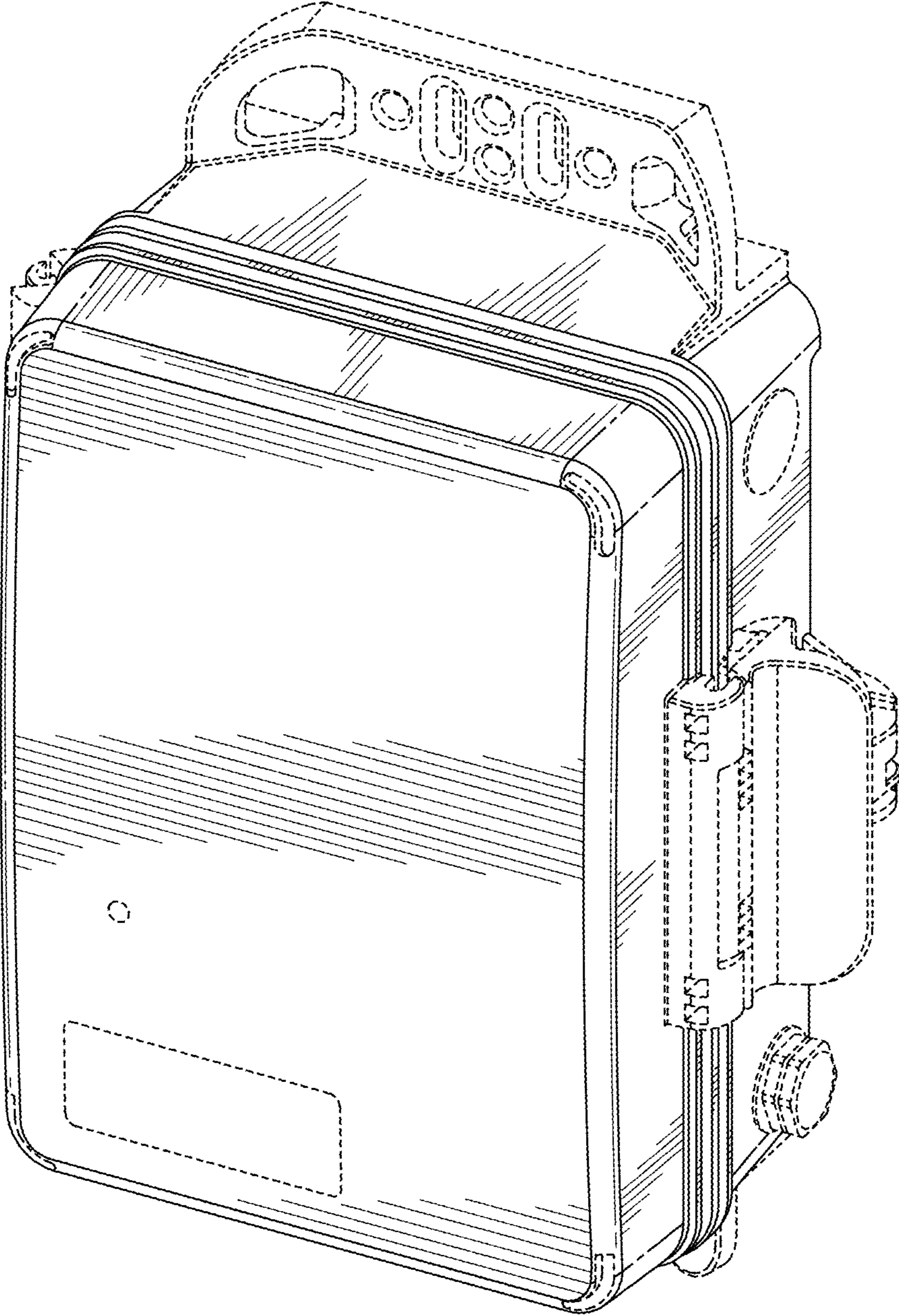


FIG. 1

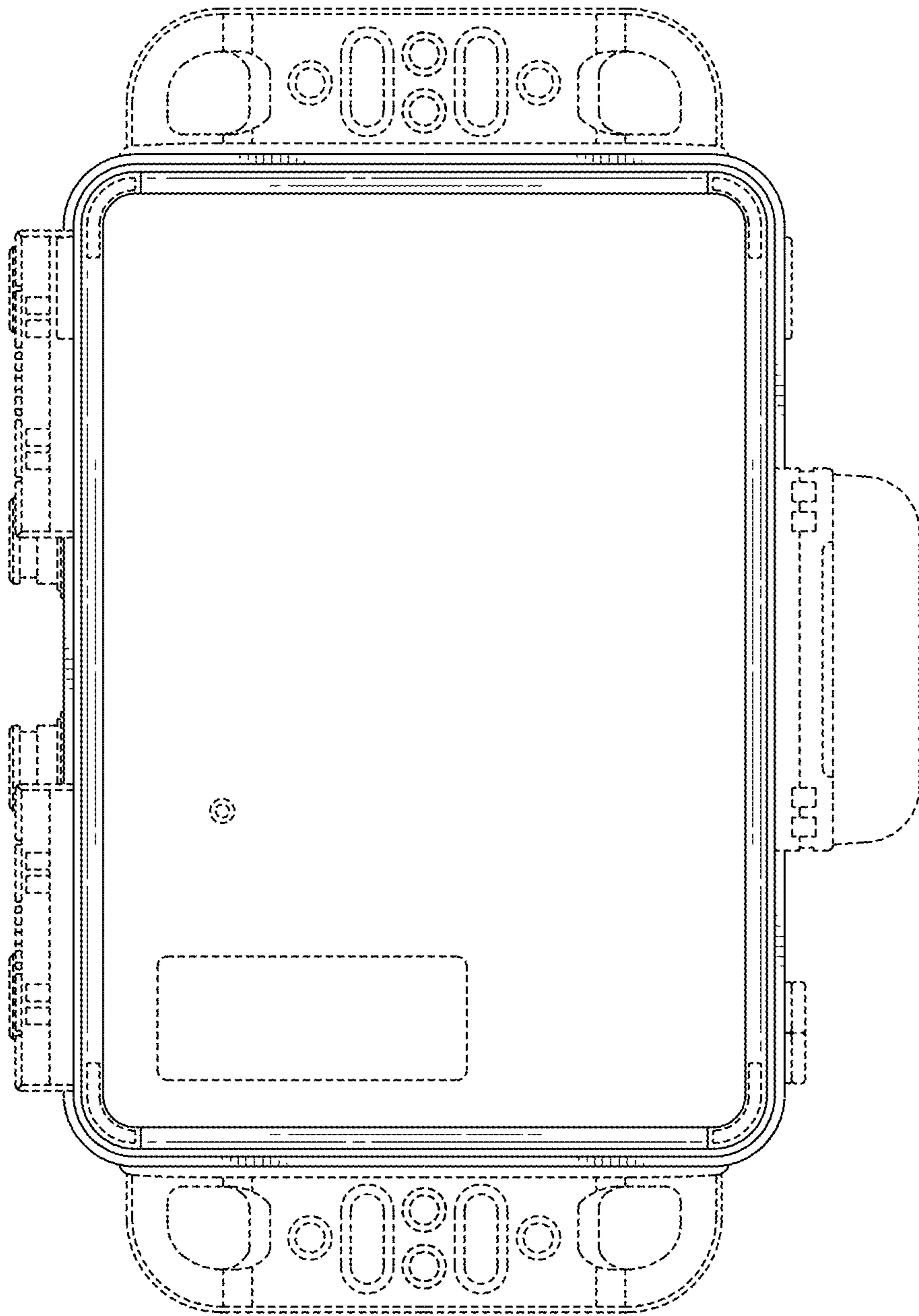


FIG. 2

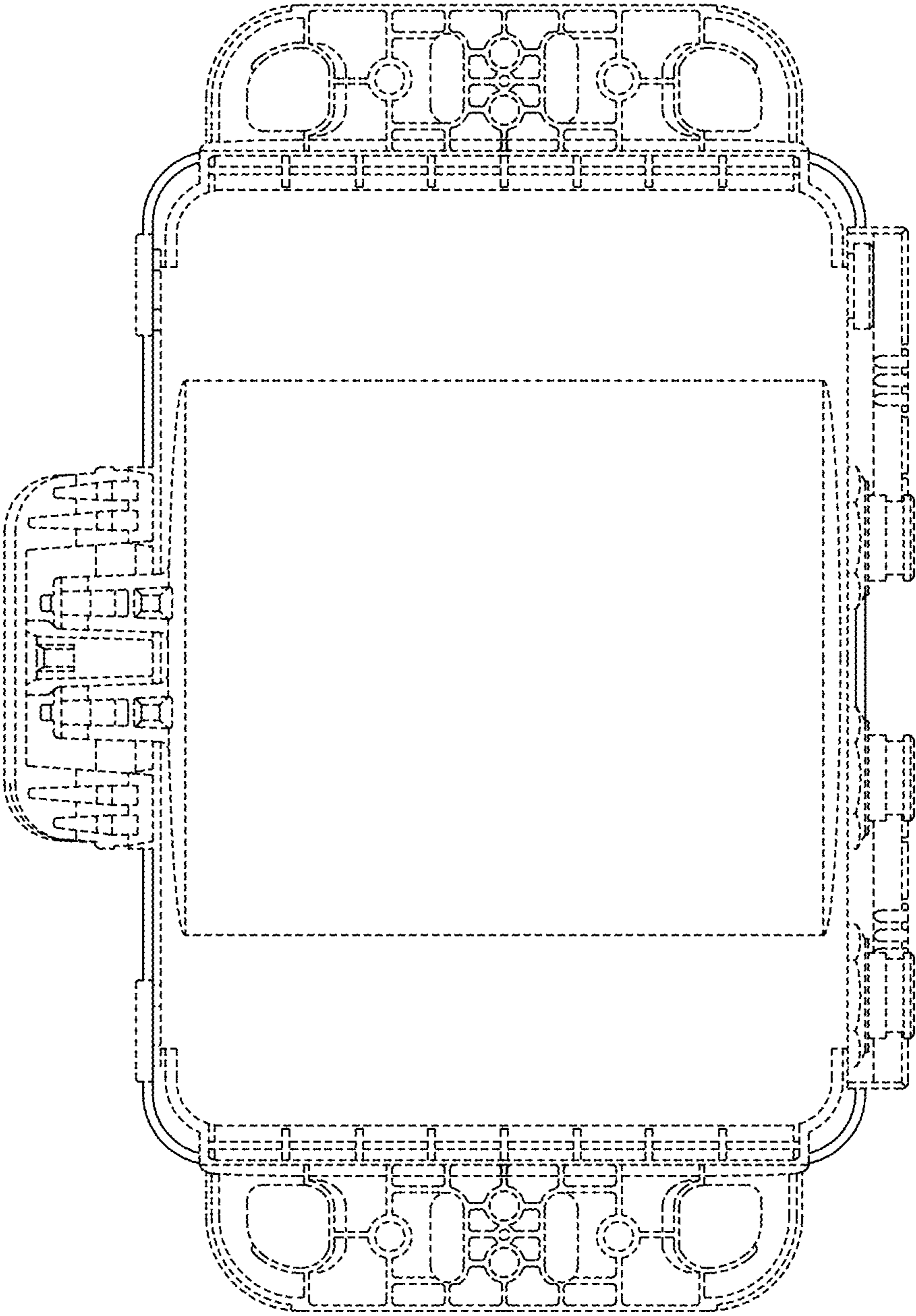


FIG. 3

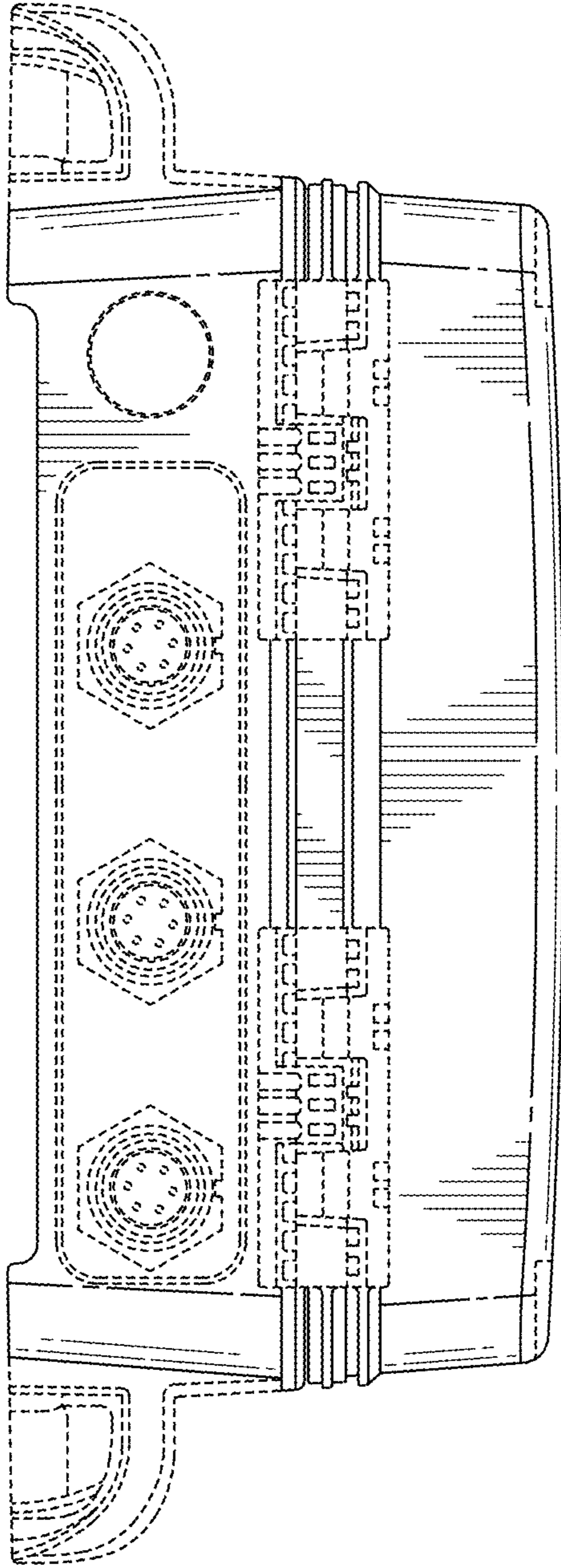


FIG. 4

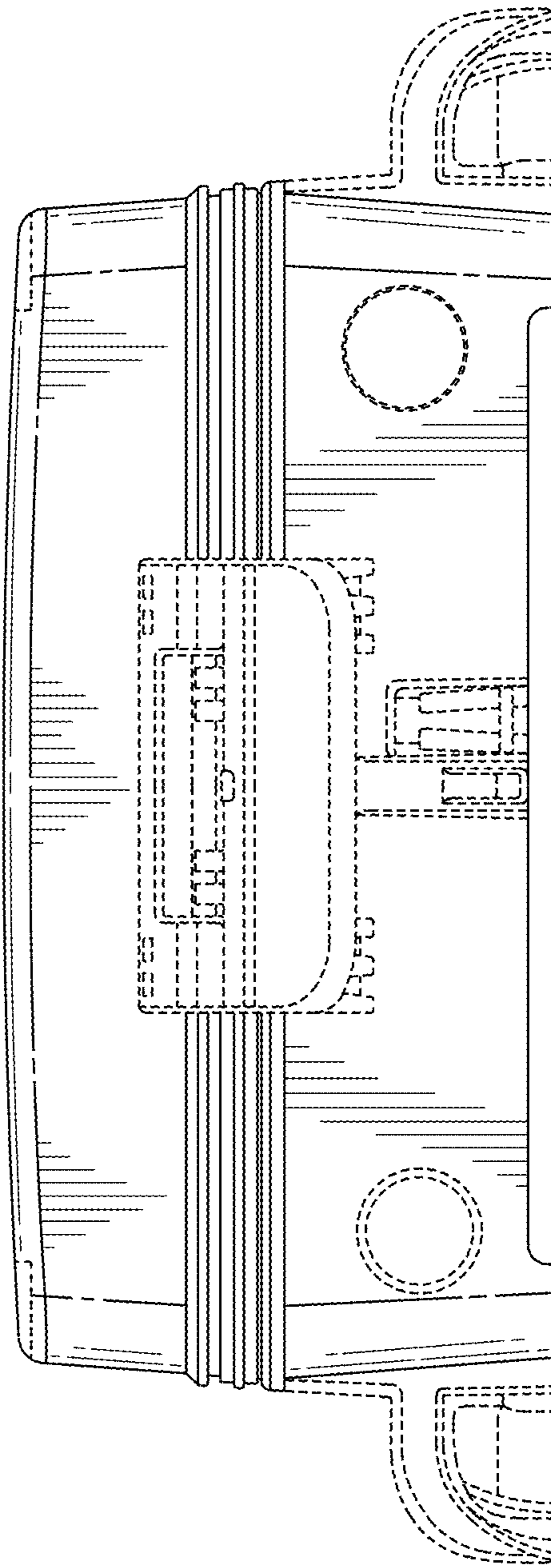


FIG. 5

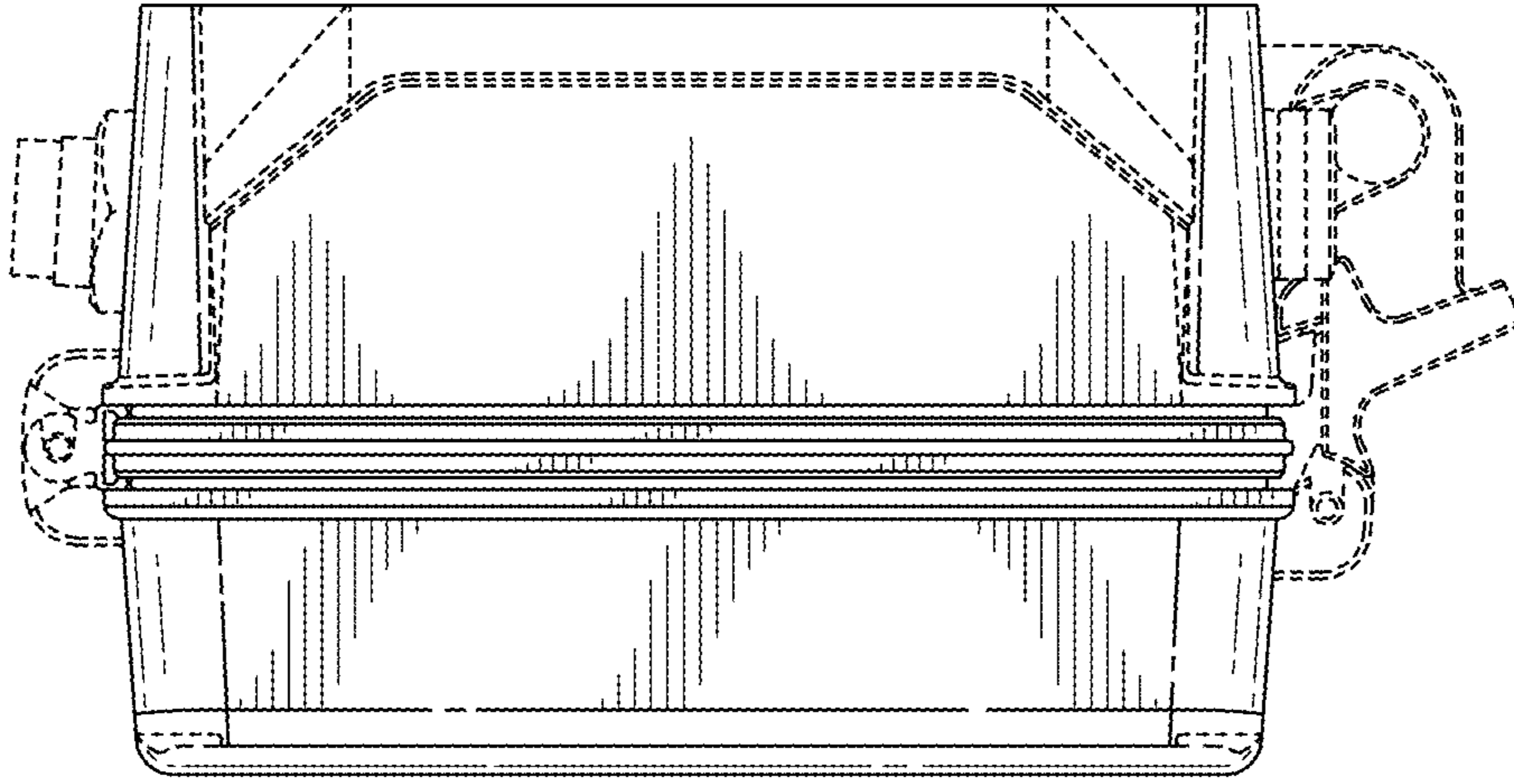


FIG. 6

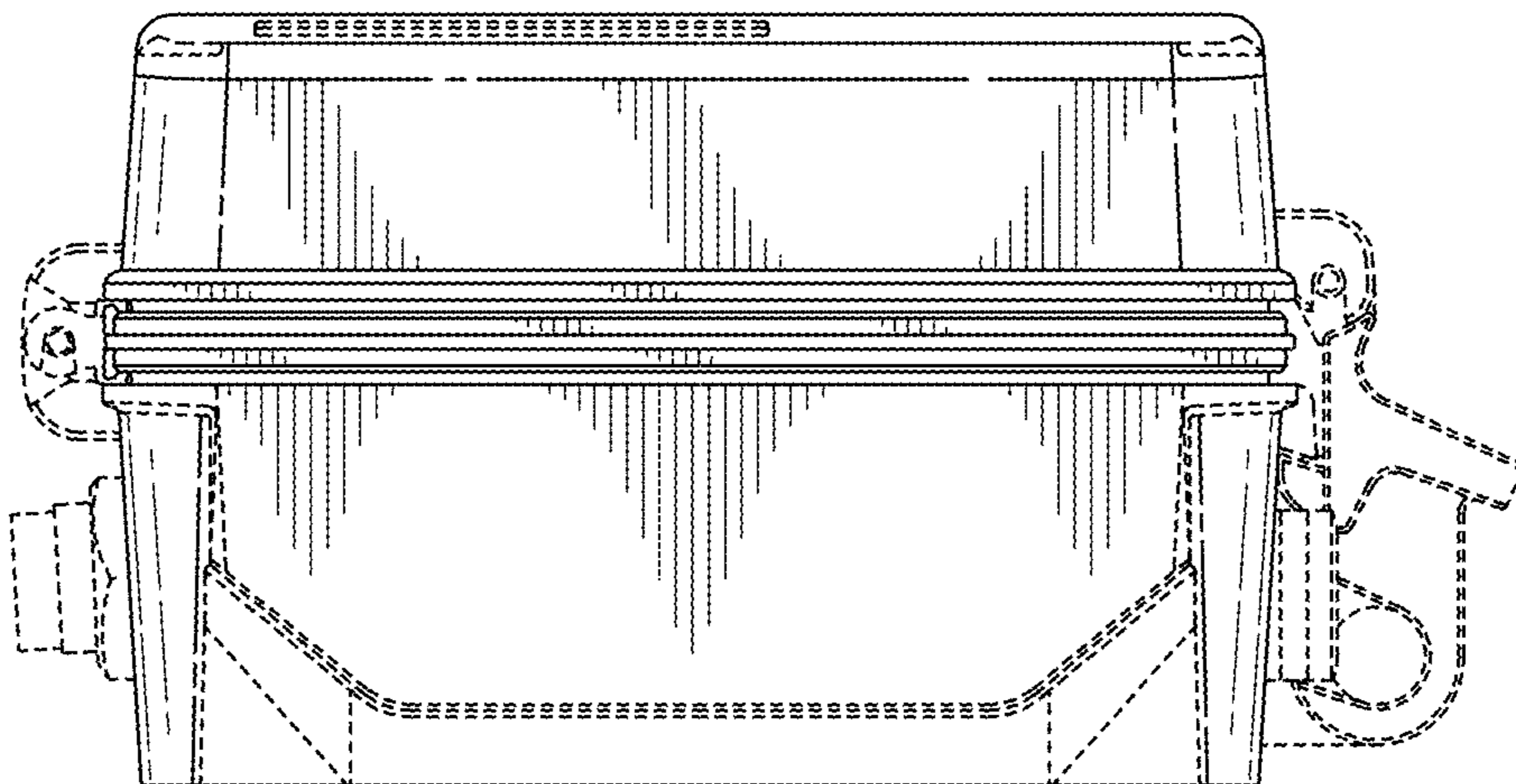


FIG. 7

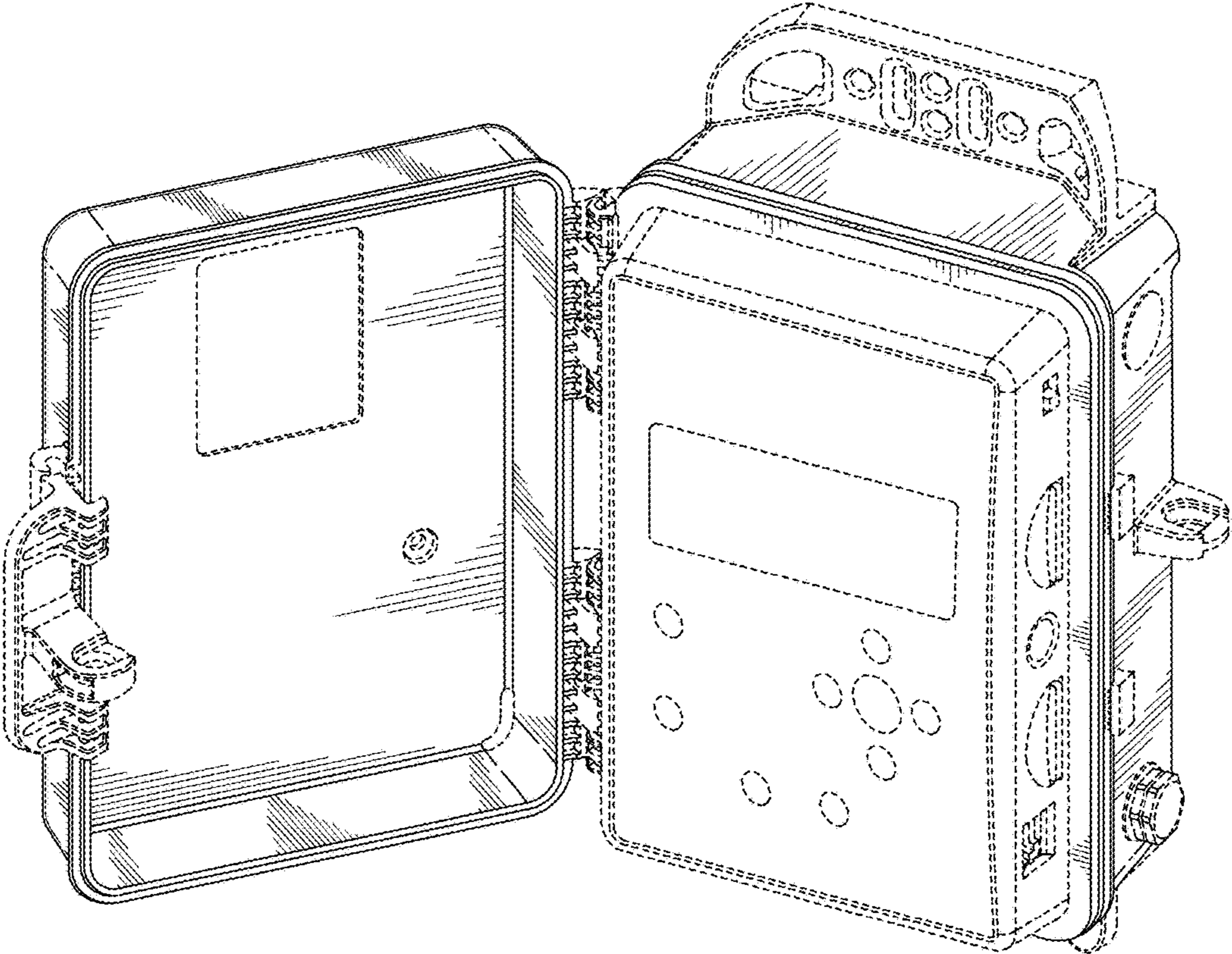


FIG. 8



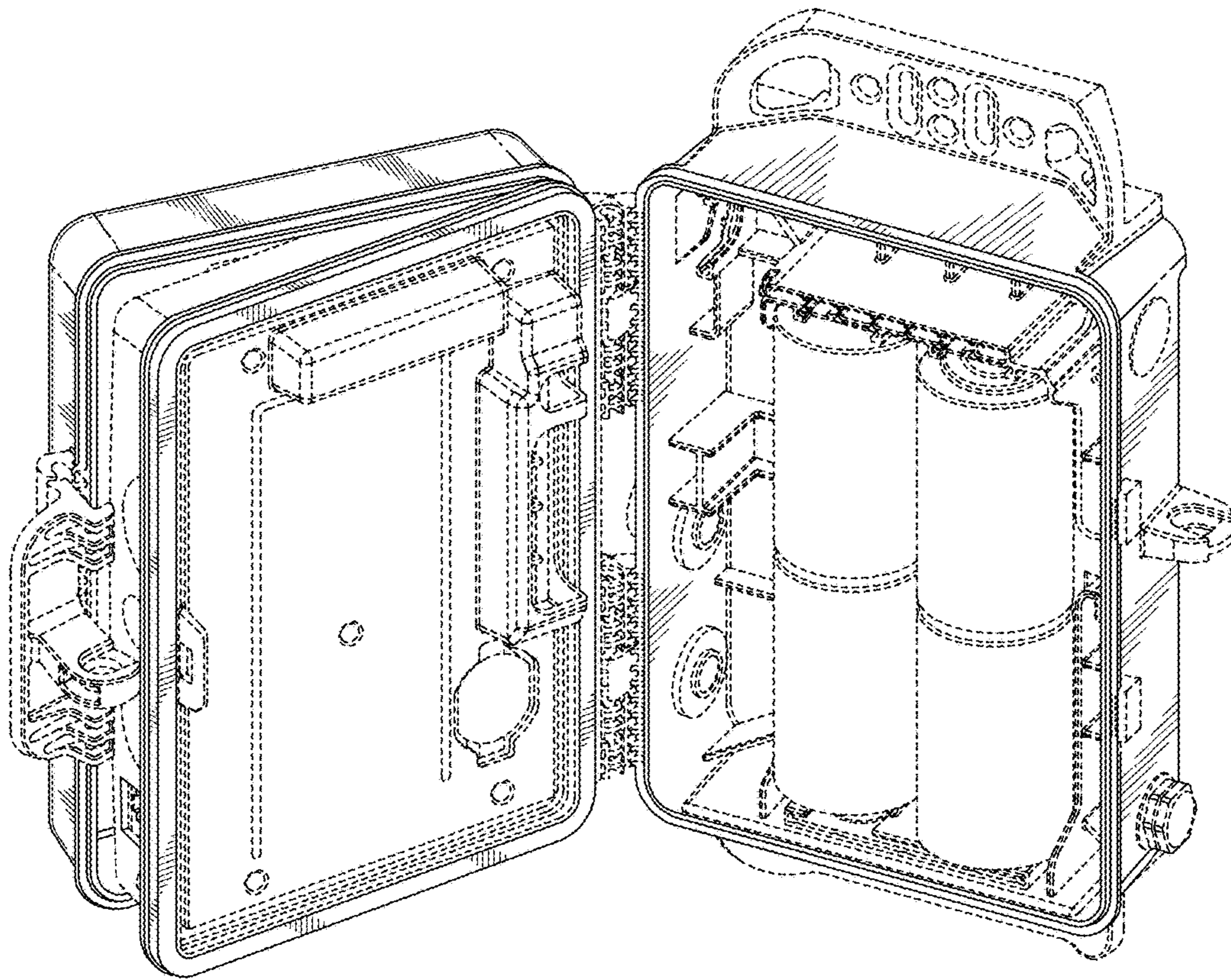


FIG. 9