



US00D801665S

(12) **United States Design Patent** (10) **Patent No.:** **US D801,665 S**
Glennie et al. (45) **Date of Patent:** **** Nov. 7, 2017**

(54) **FOOTWEAR**

(71) Applicant: **Mulberry Imports Limited**, Chichester (GB)

(72) Inventors: **Nigel Glennie**, Chichester (GB); **Kay Glennie**, Chichester (GB)

(73) Assignee: **MULBERRY IMPORTS LIMITED**, West Sussex (GB)

(**) Term: **15 Years**

(21) Appl. No.: **29/533,663**

(22) Filed: **Jul. 20, 2015**

(30) **Foreign Application Priority Data**

Jan. 21, 2015 (EM) 002617829-0001

(51) **LOC (10) Cl.** **02-04**

(52) **U.S. Cl.**
USPC **D2/970**

(58) **Field of Classification Search**

USPC D2/896, 900, 909-911, 943, 946, 969,
D2/970, 974; D9/683; D24/110

CPC A41D 17/00; A41D 17/02; A43B 3/24;
A43B 3/26; A43B 3/242-3/248; D06F
5/02

See application file for complete search history.

(56) **References Cited**

U.S. PATENT DOCUMENTS

- D46,548 S * 10/1914 Saunders D2/910
2,296,149 A * 9/1942 De France D06F 5/02
68/215
3,319,360 A * 5/1967 Nadler A43B 1/0072
36/4
4,489,509 A * 12/1984 Libit A43B 1/0018
36/50.1
D282,408 S * 2/1986 Nissenbaum D2/910

(Continued)

Primary Examiner — Holly Baynham

Assistant Examiner — Rashida C Walshon

(74) *Attorney, Agent, or Firm* — Blakely Sokoloff Taylor & Zafman LLP

(57) **CLAIM**

The ornamental design for footwear, as shown and described.

DESCRIPTION

FIG. 1 is a perspective view of footwear according to one embodiment of the invention in an expanded configuration. FIG. 2 is a front view of the footwear of FIG. 1 in an expanded configuration.

FIG. 3 is a rear view of the footwear of FIG. 1 in an expanded configuration.

FIG. 4 is a bottom view of the footwear of FIG. 1 in an expanded configuration.

FIG. 5 is a top view of the footwear of FIG. 1 in an expanded configuration.

FIG. 6 is a left side view of the footwear of FIG. 1 in an expanded configuration; the right side view is a mirror image of the left side view.

FIG. 7 is a second perspective view of the footwear of FIG. 1 in a collapsed configuration.

FIG. 8 is a front view of the footwear of FIG. 1 in a collapsed configuration.

FIG. 9 is a front view of the footwear of FIG. 1 in a collapsed configuration.

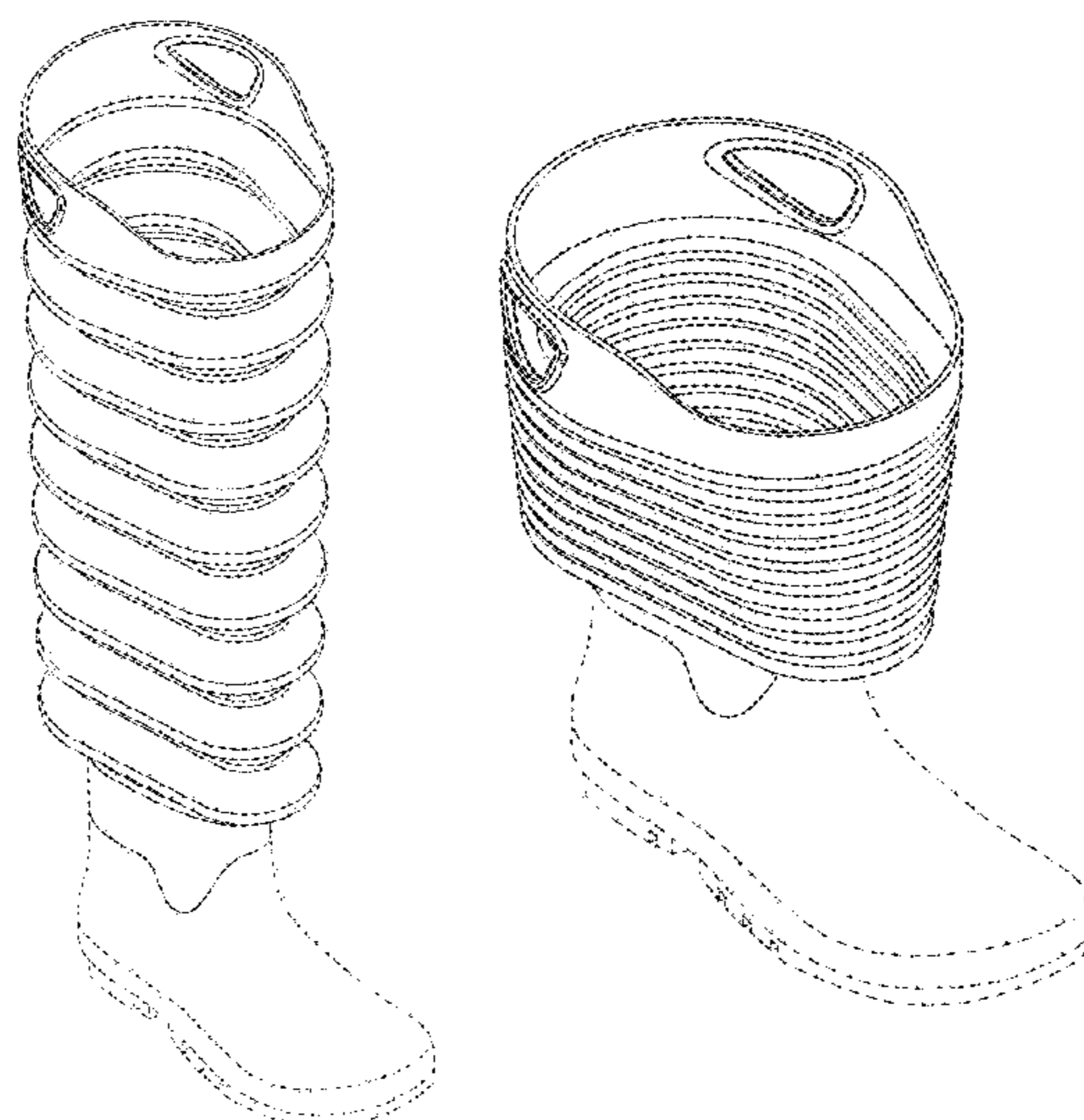
FIG. 10 is a bottom view of the footwear of FIG. 1 in a collapsed configuration.

FIG. 11 is a top view of the footwear of FIG. 1 in a collapsed configuration; and,

FIG. 12 is a left side view of the footwear of FIG. 1 in a collapsed configuration; the right side view is a mirror image of the left side view.

Elements shown in phantom lines are for environmental purposes only and form no part of the claimed design.

1 Claim, 12 Drawing Sheets



(56)

References Cited

U.S. PATENT DOCUMENTS

D286,856 S	*	11/1986	Anscomb	D9/683
D290,062 S	*	6/1987	Valori	D2/899
D370,114 S	*	5/1996	Vance	D2/910
D629,597 S	*	12/2010	Ng	D2/911
D631,645 S	*	2/2011	Glennie	D2/910
D677,458 S	*	3/2013	Denniston	D2/910

* cited by examiner

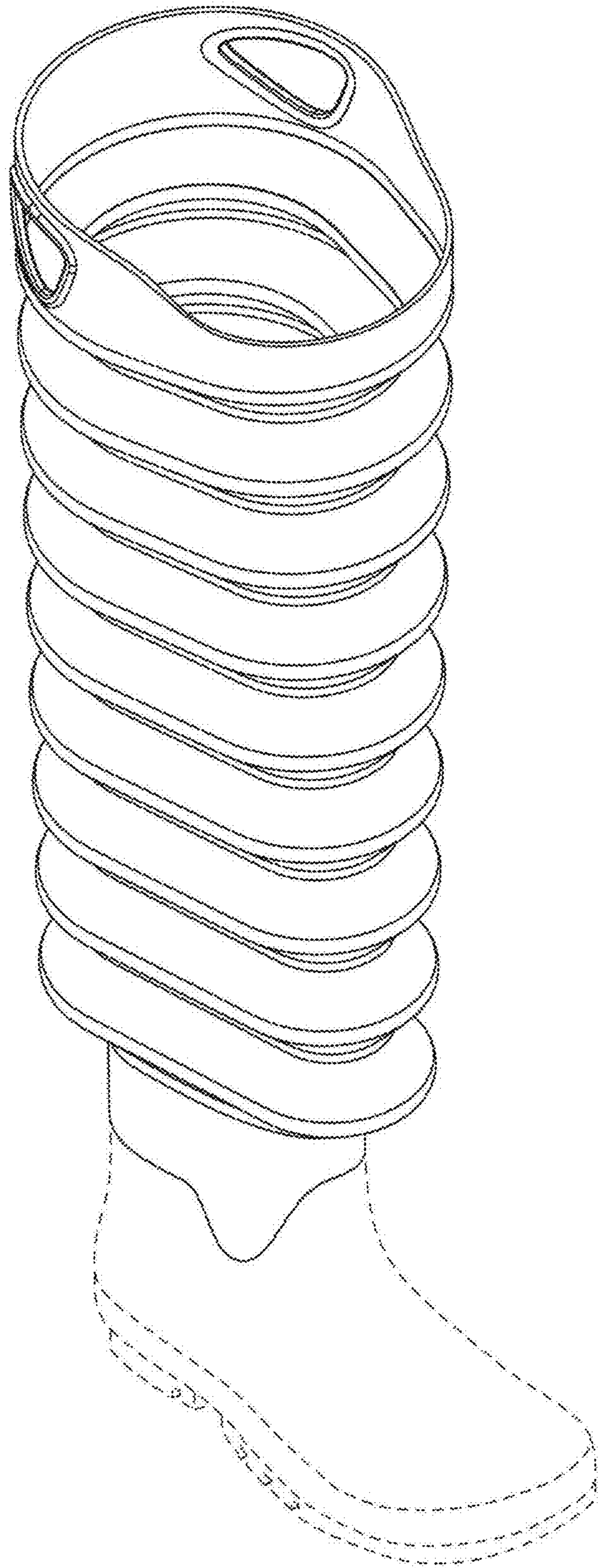


Figure 1

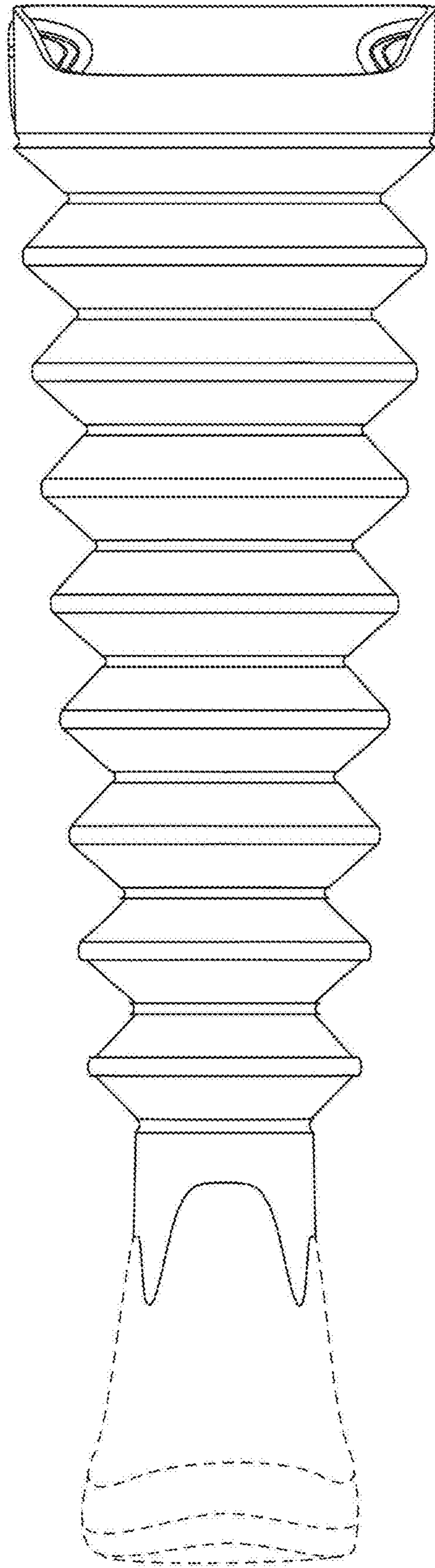


Figure 2

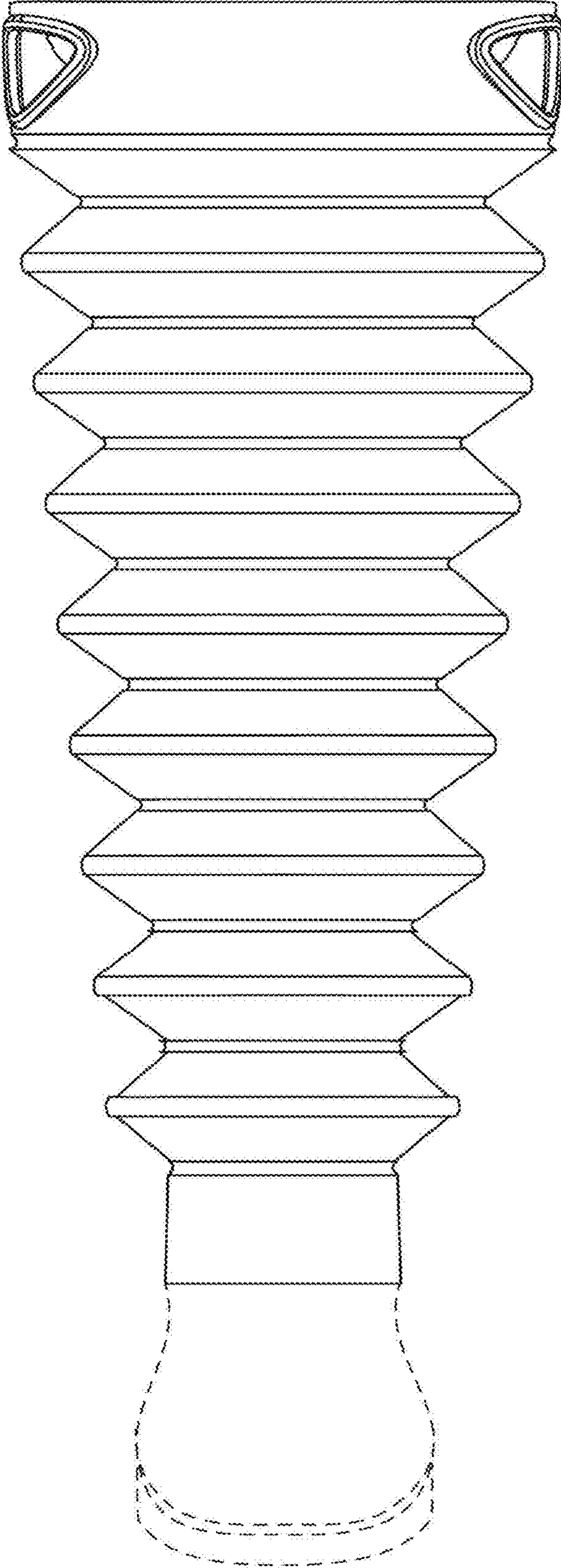


Figure 3

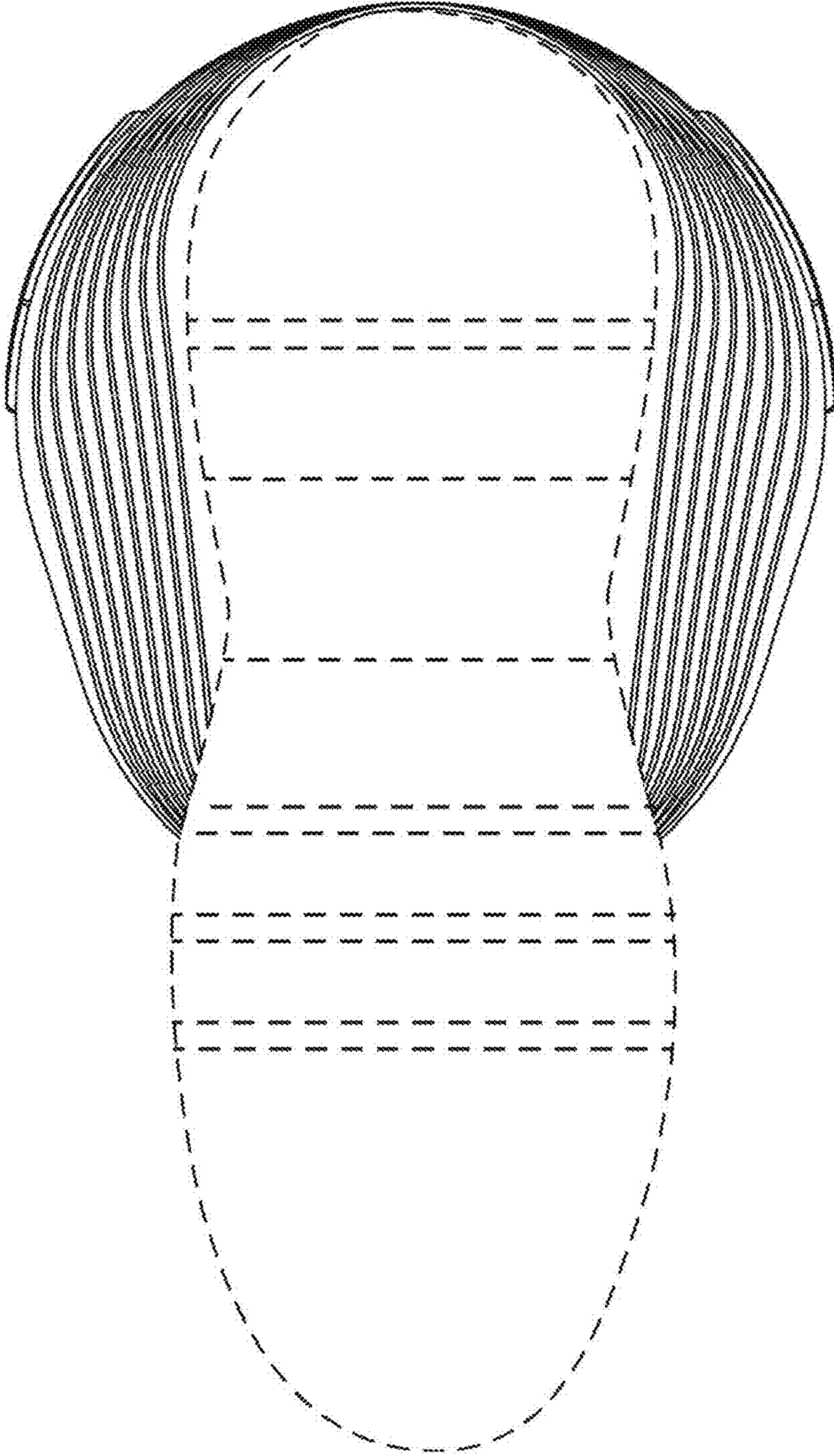


Figure 4

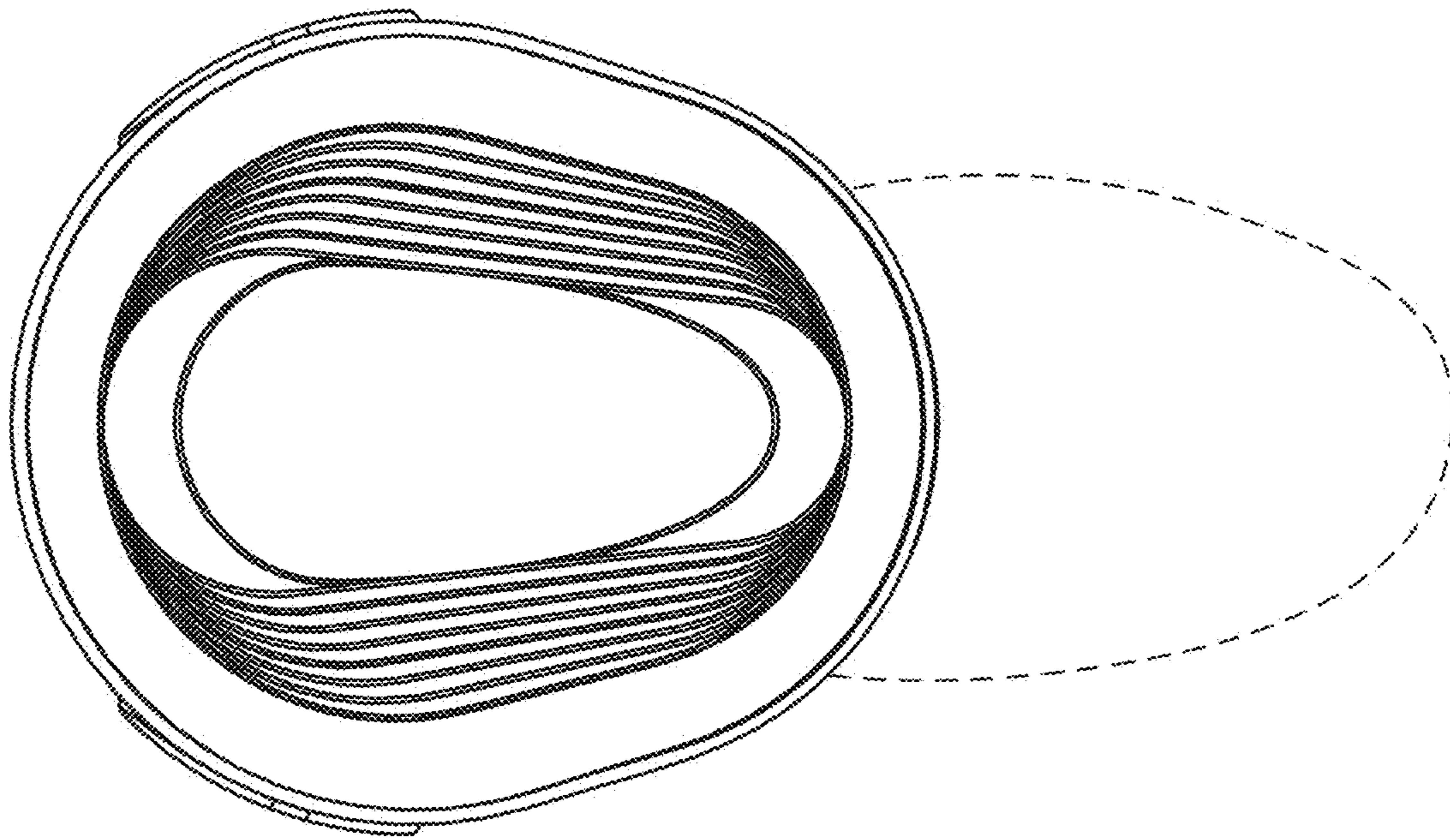


Figure 5

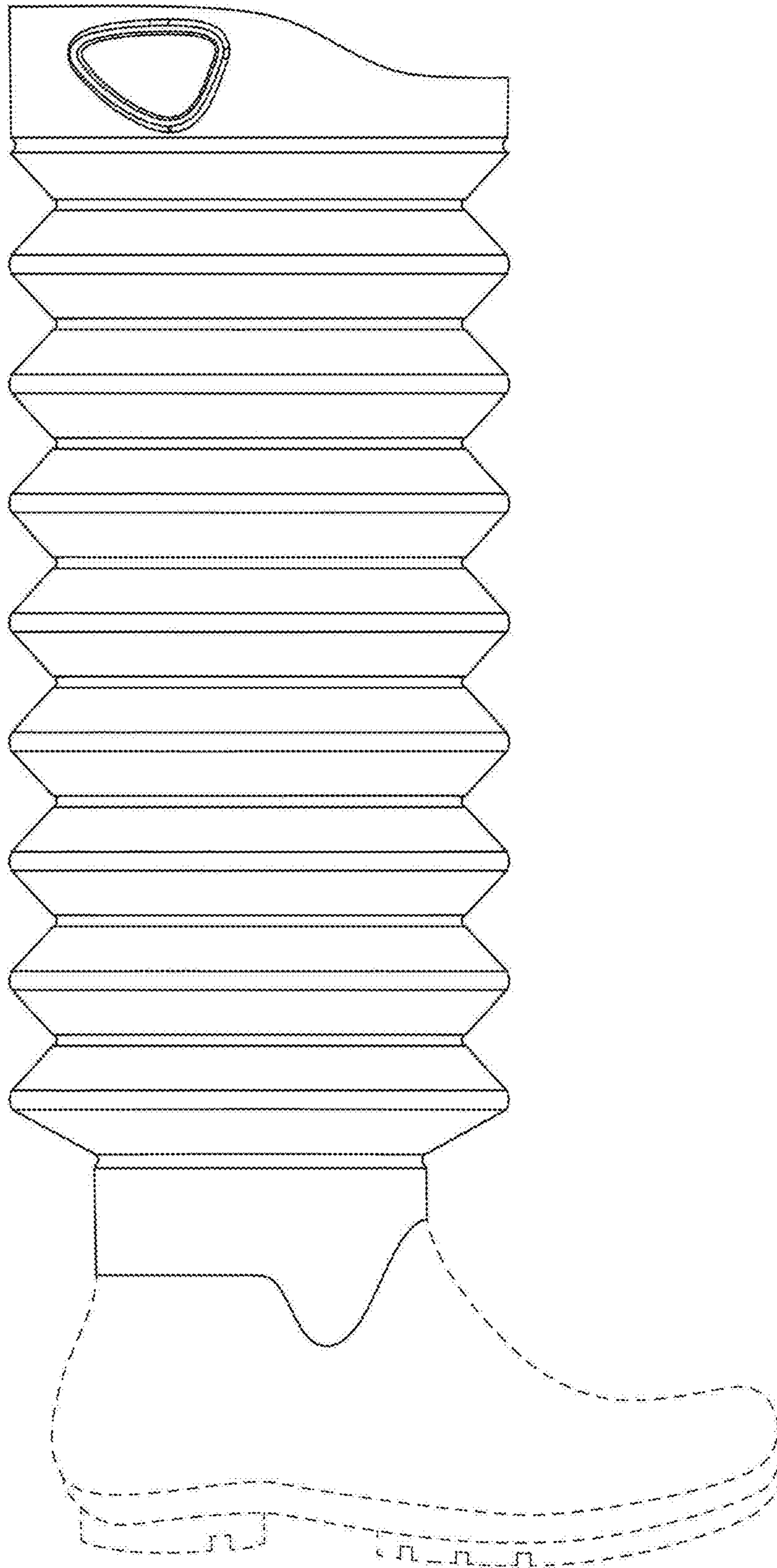


Figure 6

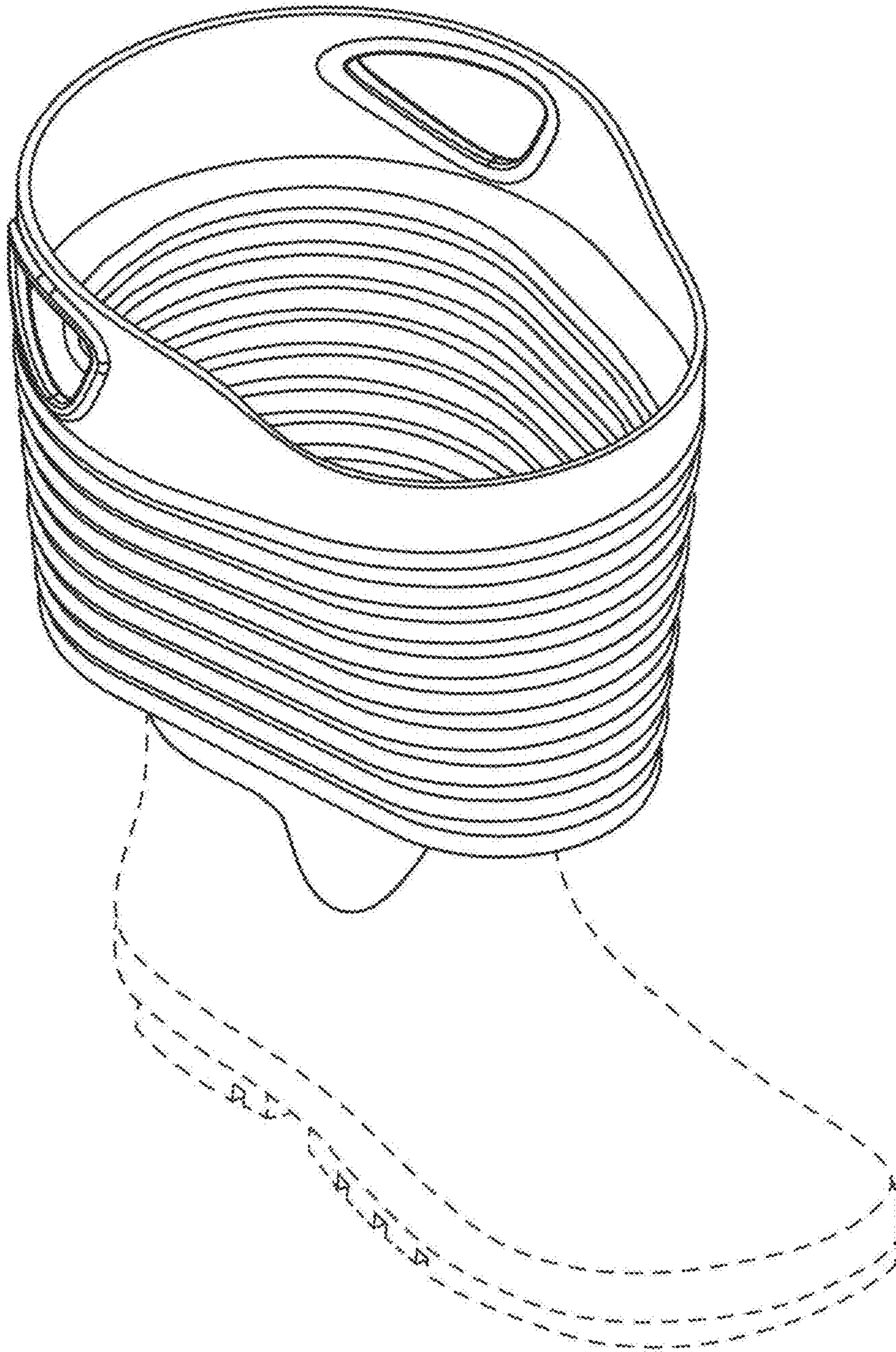


Figure 7

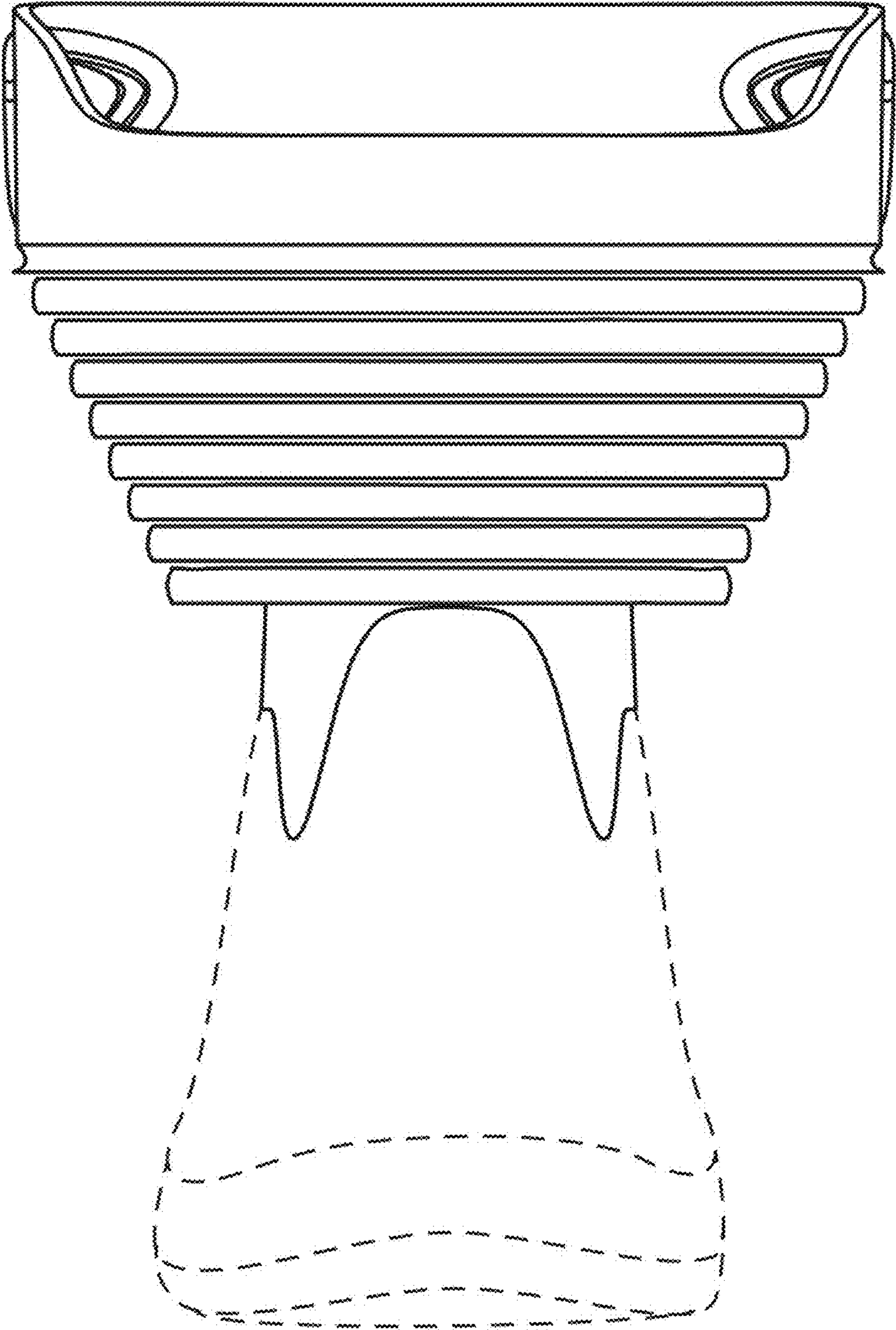


Figure 8

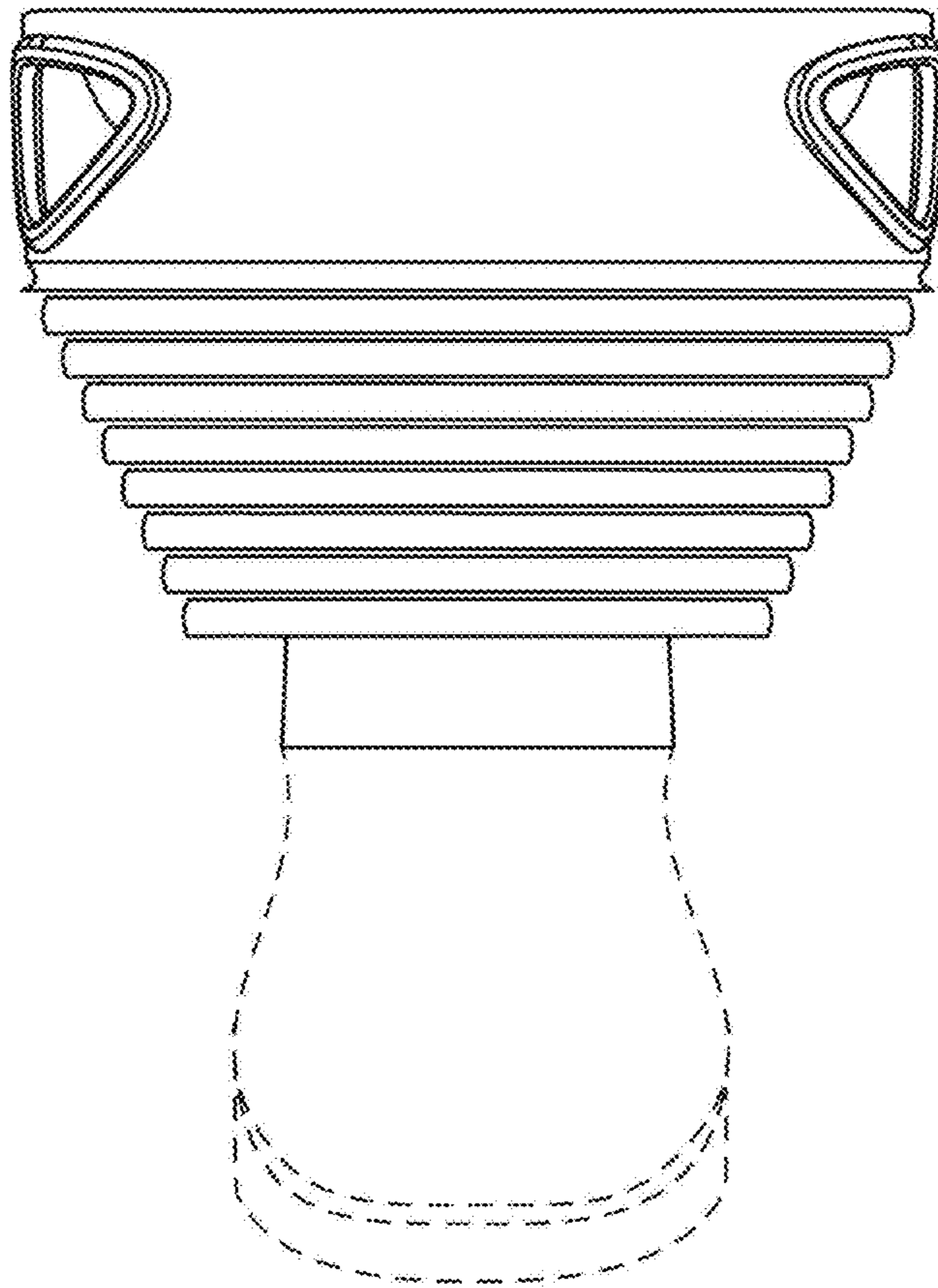


Figure 9

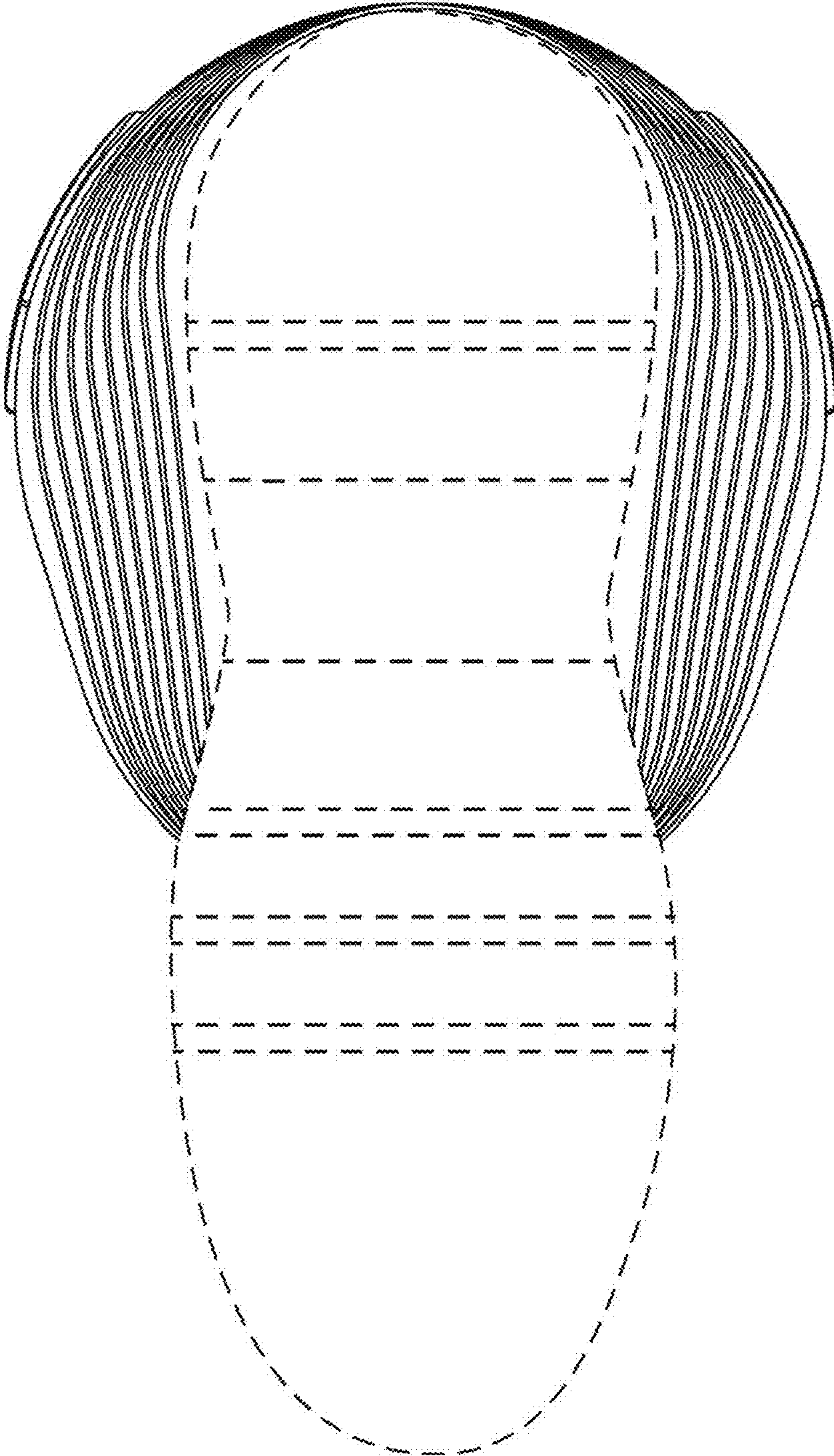


Figure 10

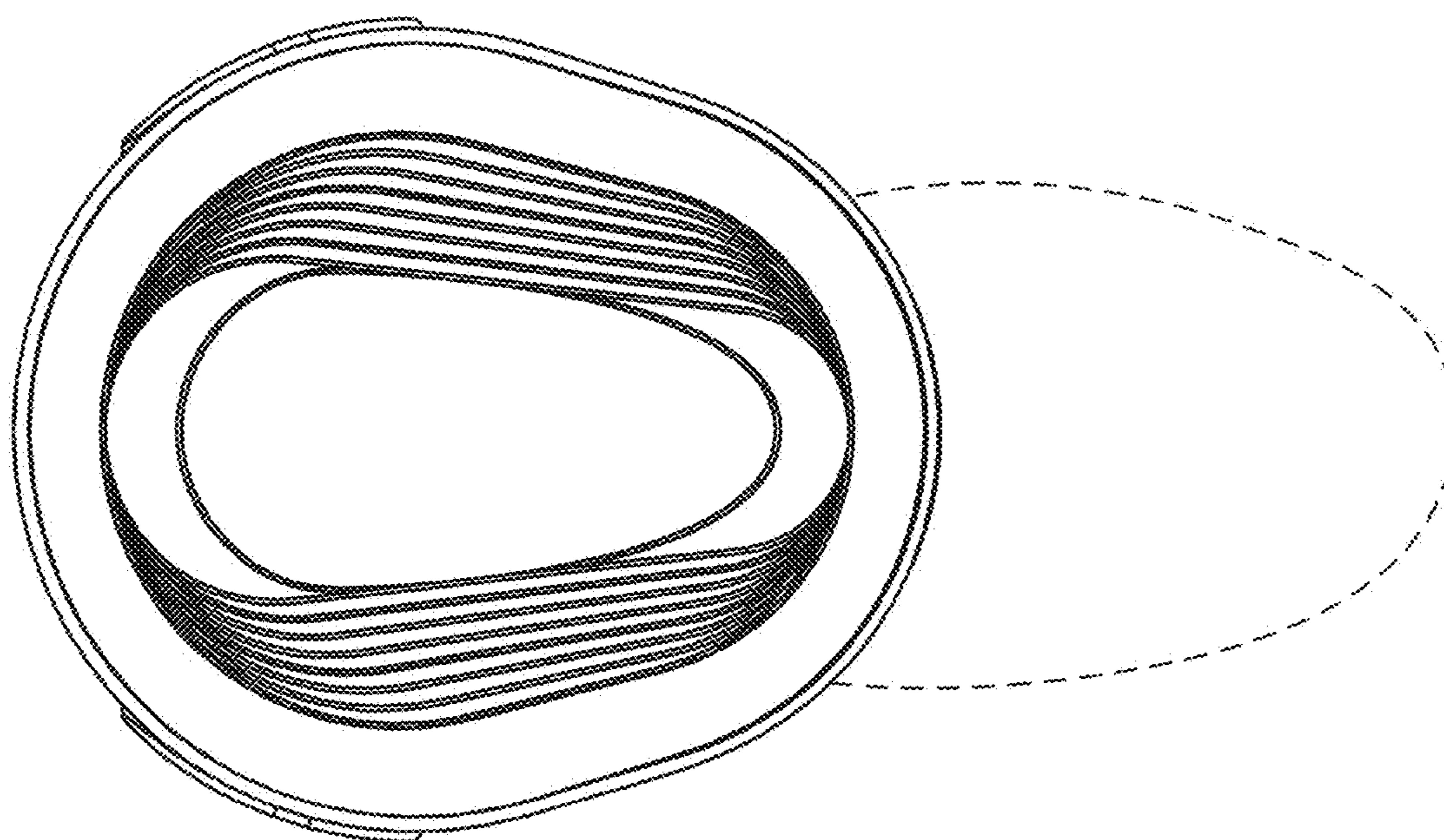


Figure 11

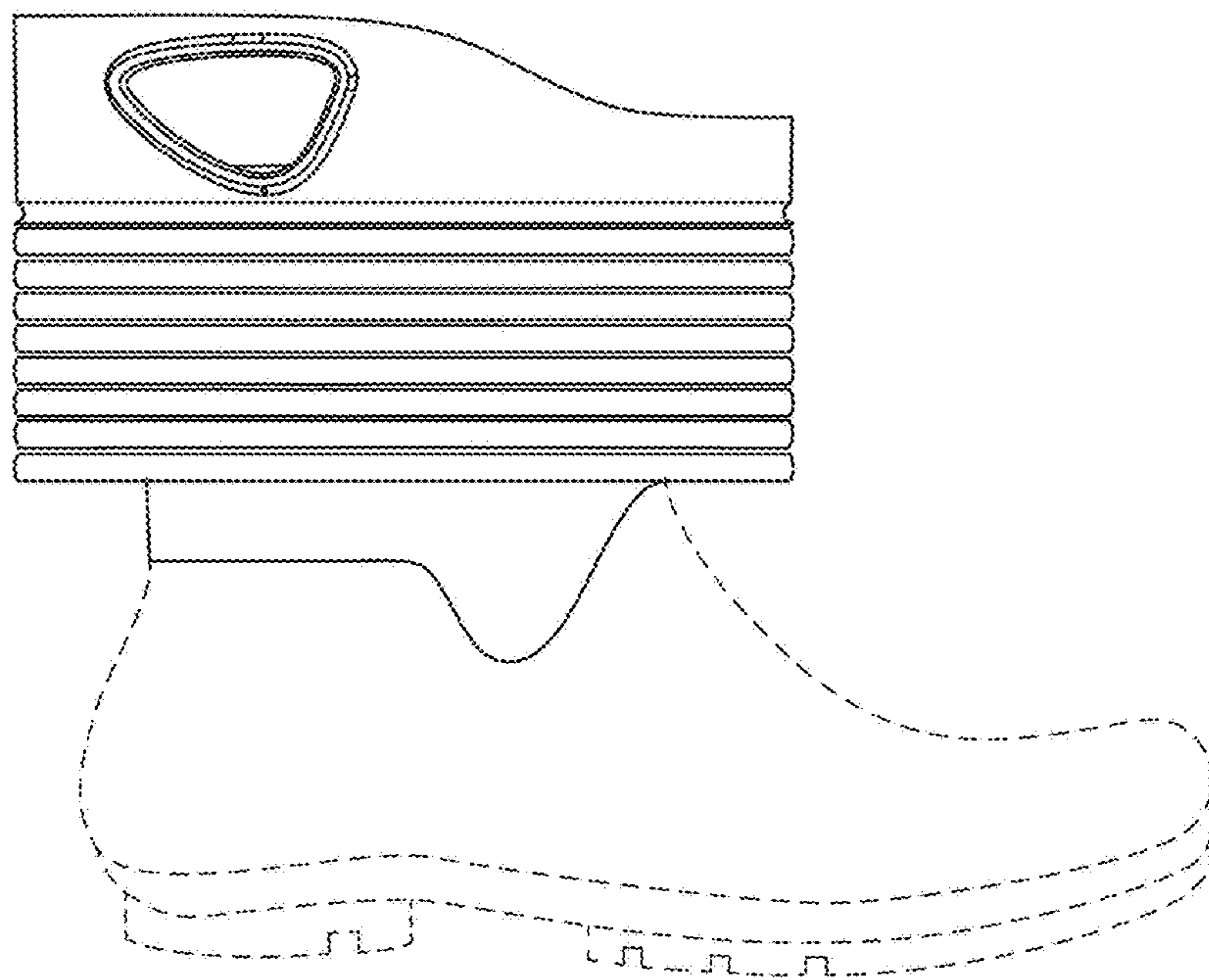


Figure 12