



US00D801646S

(12) **United States Design Patent** (10) **Patent No.:** **US D801,646 S**
Townsend et al. (45) **Date of Patent:** **** Nov. 7, 2017**

(54) **REMOVABLE CLEAT PROTECTOR**
(71) Applicants: **Jennifer Townsend**, Carlsbad, CA
(US); **Gregory Townsend**, Carlsbad,
CA (US)
(72) Inventors: **Jennifer Townsend**, Carlsbad, CA
(US); **Gregory Townsend**, Carlsbad,
CA (US)
(**) Term: **15 Years**
(21) Appl. No.: **29/532,919**
(22) Filed: **Jul. 11, 2015**
(51) **LOC (10) Cl.** **02-04**
(52) **U.S. Cl.**
USPC **D2/909**; D2/914
(58) **Field of Classification Search**
USPC D2/896, 907-909, 914, 946, 947, 951,
D2/952, 953-955, 969; D6/583
CPC A43B 1/10; A43B 5/18; A43B 3/16; A43B
5/00
See application file for complete search history.

7,627,963 B2 * 12/2009 Kilgore A43B 3/26
36/102
D607,630 S * 1/2010 Kay D2/909
7,779,560 B2 8/2010 Kay
D631,644 S 2/2011 Simms
D651,381 S * 1/2012 Simms D2/909
8,225,529 B2 7/2012 Simms
8,256,140 B2 9/2012 Lagrand et al.
8,453,355 B2 6/2013 Kay
8,567,098 B2 10/2013 Hsu
D767,260 S * 9/2016 Lubart D2/909
D785,913 S * 5/2017 Lubart D2/909
2004/0074113 A1 4/2004 Kim
2006/0005425 A1 * 1/2006 Votolato A43B 3/16
36/7.3
2007/0113424 A1 5/2007 Bell
2009/0249653 A1 10/2009 Gunthel
2011/0185598 A1 8/2011 Tsen
2012/0124865 A1 5/2012 Opie

(Continued)

Primary Examiner — Holly Baynham
Assistant Examiner — Rashida C Walshon
(74) *Attorney, Agent, or Firm* — Eric Hanscom

(57) **CLAIM**

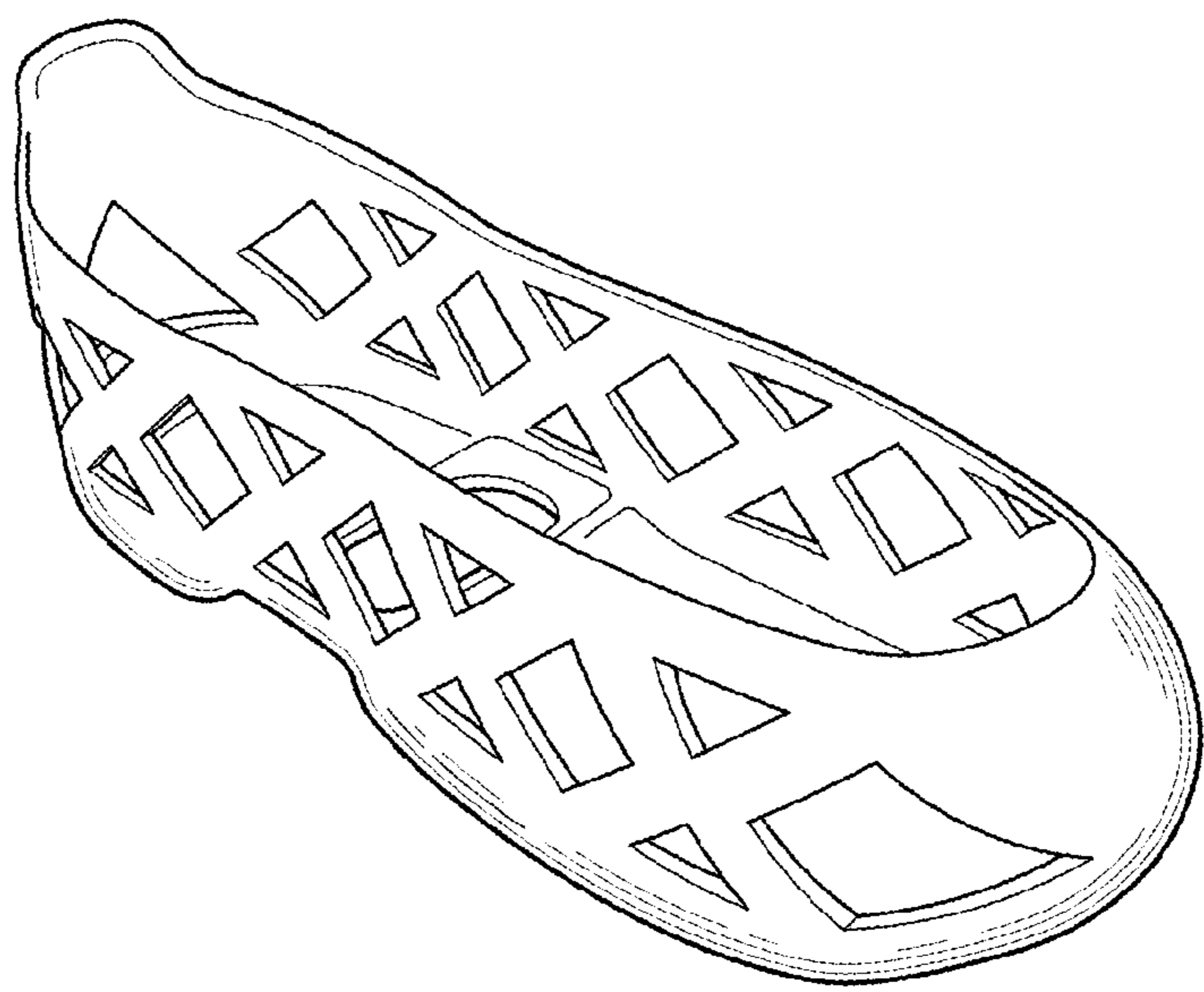
The ornamental design for a removable cleat protector, as shown and described.

DESCRIPTION

FIG. 1 is a perspective view of a removable cleat protector showing my new design;
FIG. 2 is a front view thereof;
FIG. 3 is a back view thereof;
FIG. 4 is a left-side view thereof;
FIG. 5 is a right-side view thereof;
FIG. 6 is a top view thereof; and,
FIG. 7 is a bottom view thereof.
The application relates to the design of a Removable Cleat Protector which is used to protect the cleats of soccer shoes and other cleat-containing athletic shoes.

1 Claim, 3 Drawing Sheets

(56) **References Cited**
U.S. PATENT DOCUMENTS
3,026,635 A * 3/1962 Slade A43B 3/16
168/18
5,315,767 A * 5/1994 Bradbury A43B 3/16
36/135
5,425,186 A * 6/1995 Hoyt A43B 3/16
36/4
D377,710 S 2/1997 Poust
D385,092 S * 10/1997 Holden D2/909
D446,912 S * 8/2001 Cockrell D2/909
D560,890 S 2/2008 Norton
D598,184 S 8/2009 Norton
D599,087 S * 9/2009 Kay D2/909
D599,088 S * 9/2009 Kay D2/909



(56)

References Cited

U.S. PATENT DOCUMENTS

2012/0210600 A1 8/2012 Joubert
2013/0074363 A1 3/2013 Adams

* cited by examiner

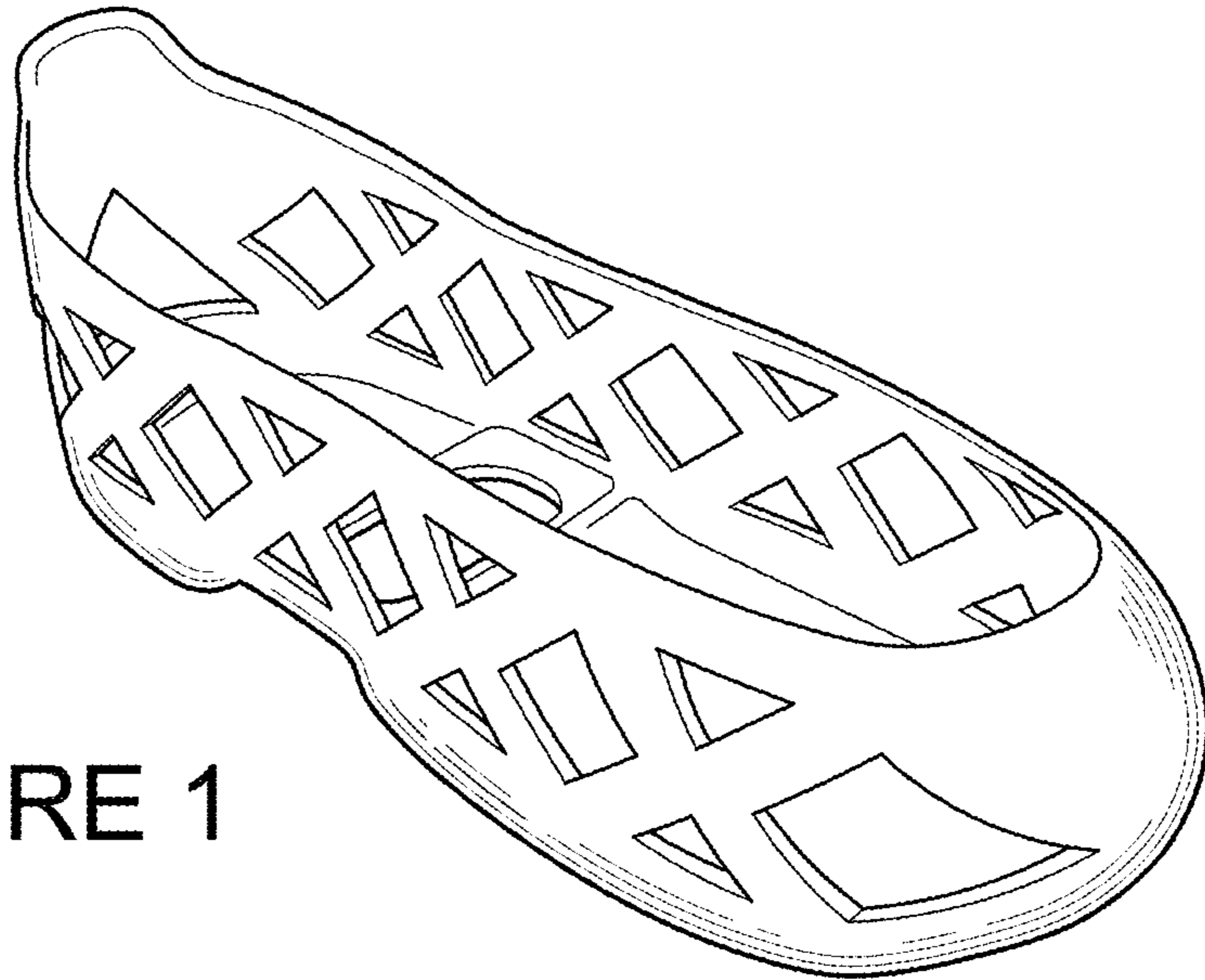


FIGURE 1

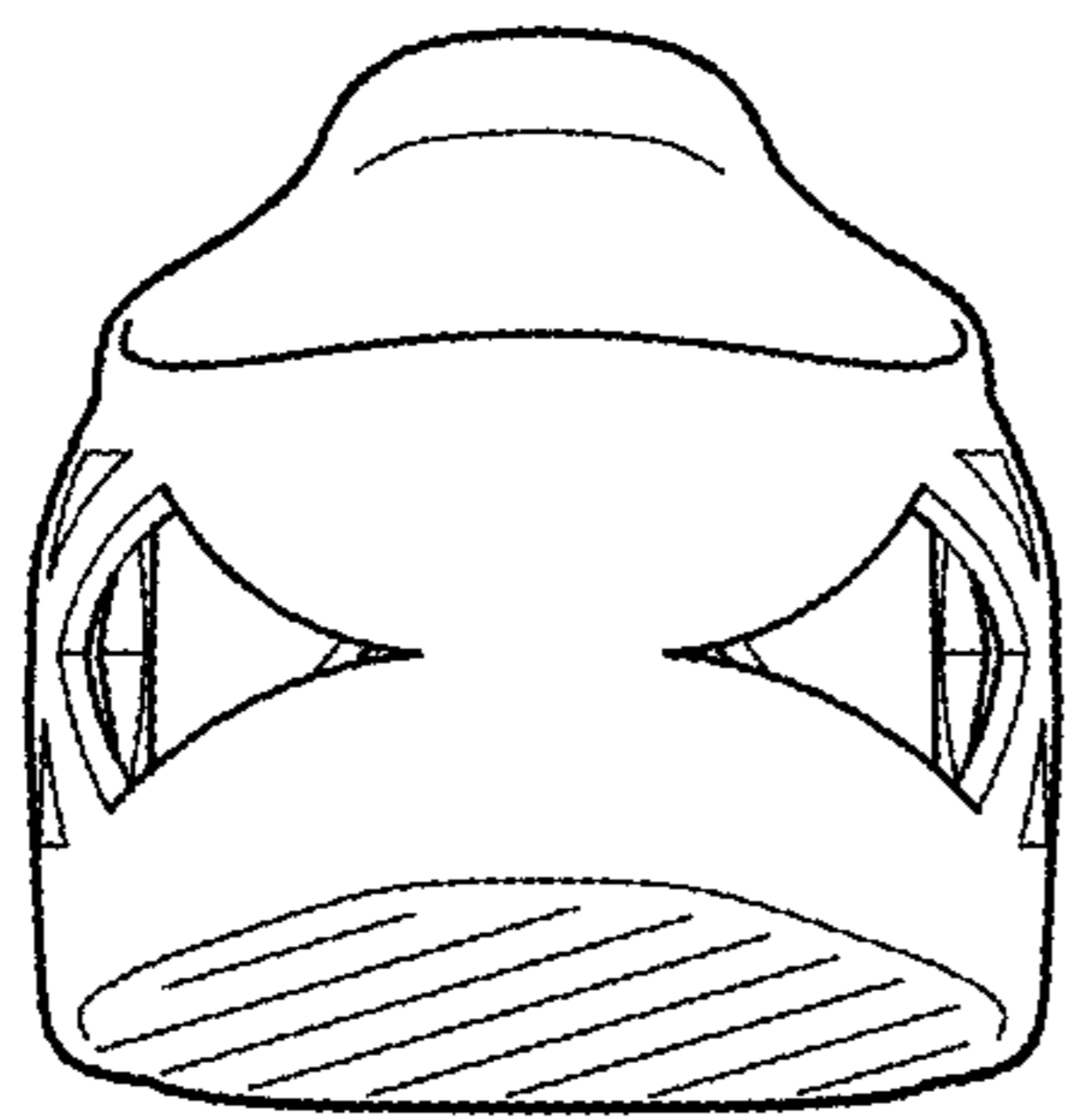


FIGURE 2

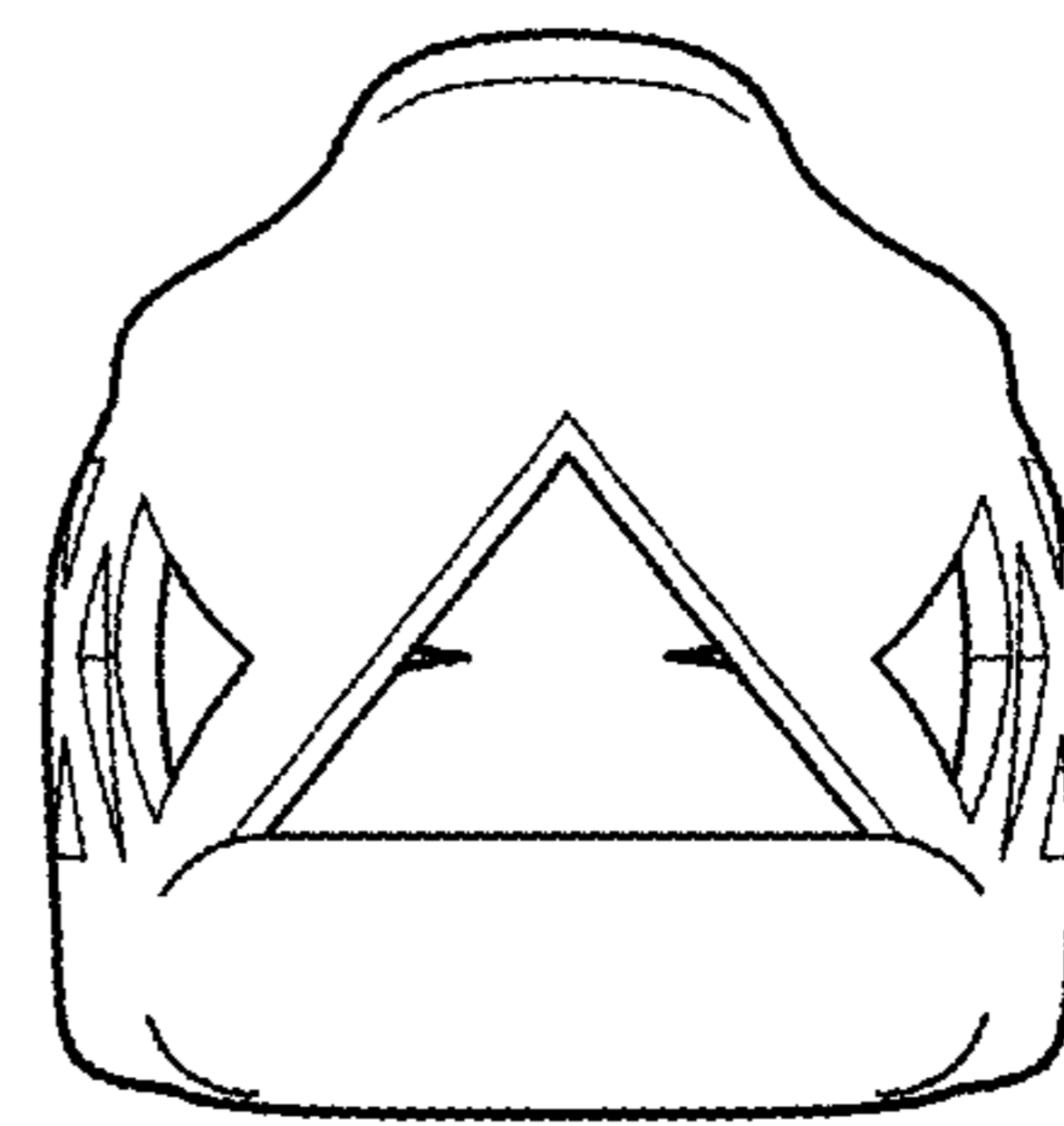


FIGURE 3

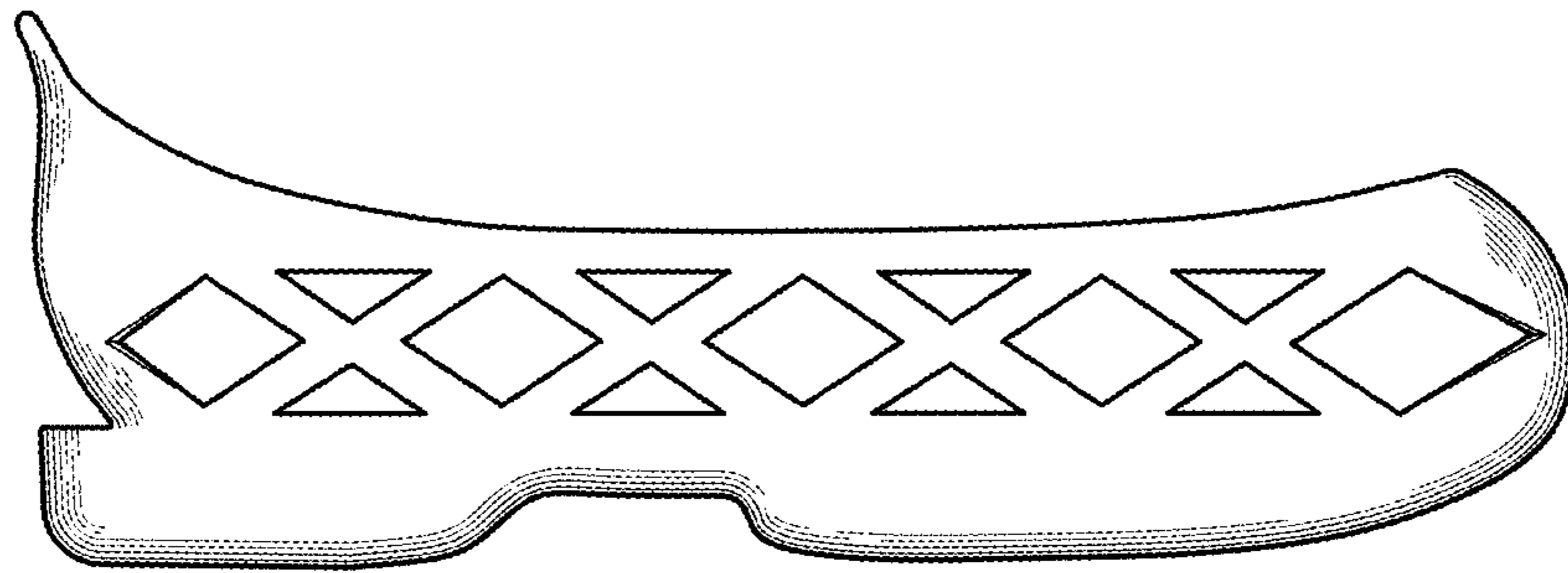


FIGURE 4

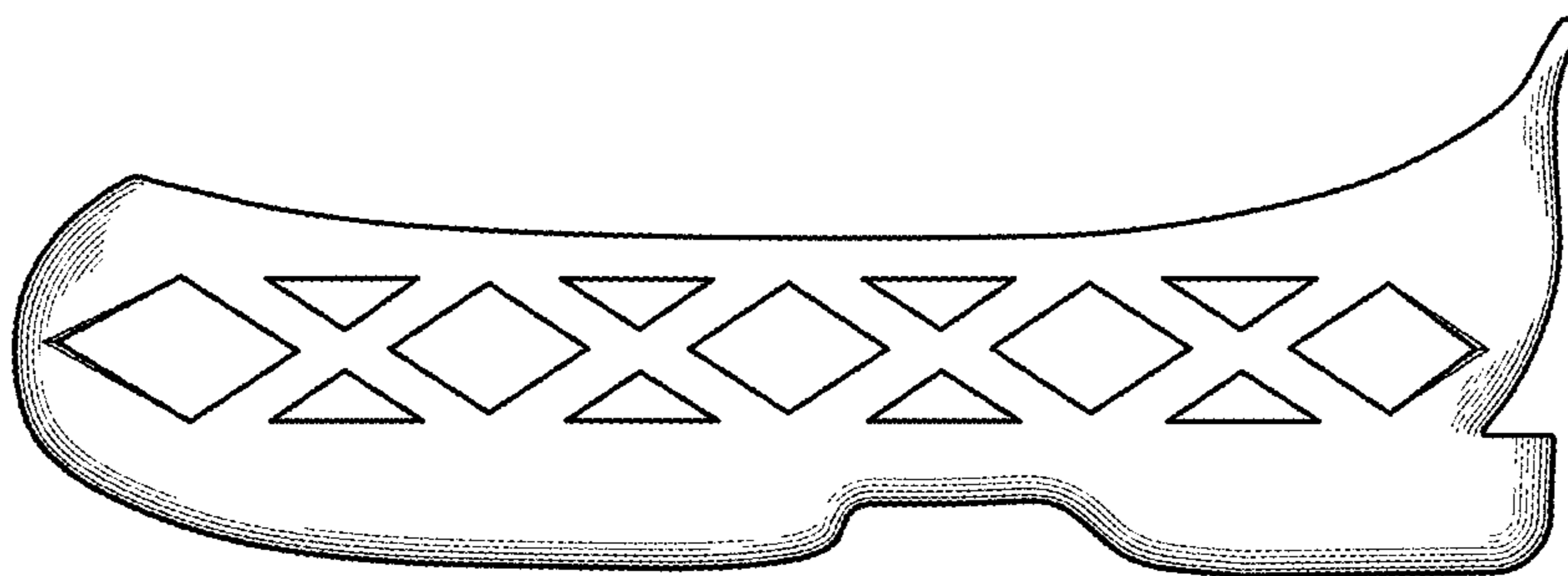


FIGURE 5

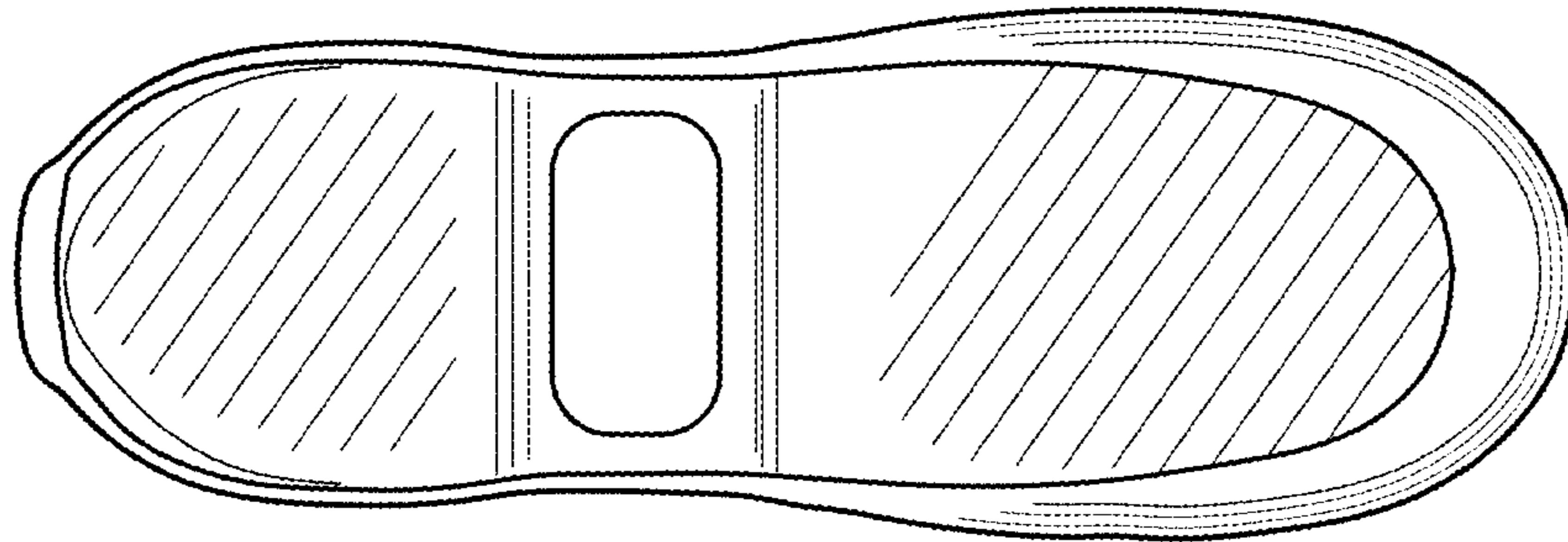


FIGURE 6

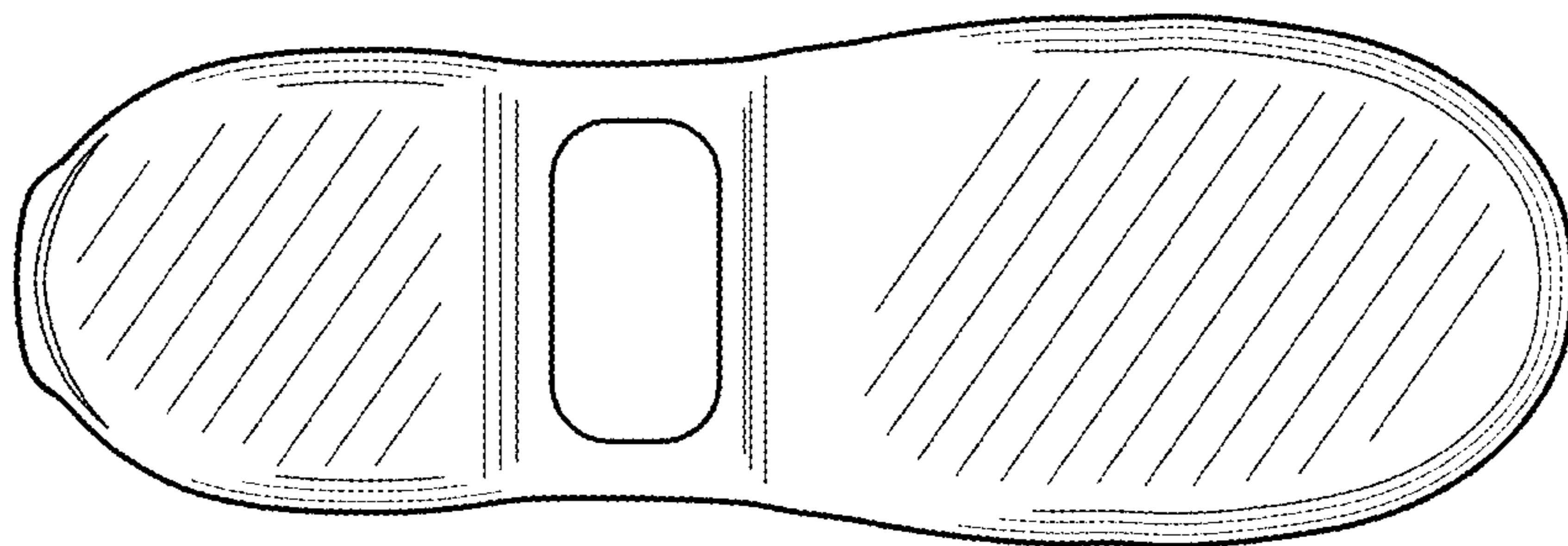


FIGURE 7